



# Illustrated Parts Manual

***Models***  
***R1532i***  
***R1932***  
***R1932i***

**PVC**  
**2010**

**P/N**  
**31215931**

**March 15, 2021 - Rev B**

***ANSI***

**CE**



***AS/NZS***



An Oshkosh Corporation Company



## REVISION LOG

### NOTES:

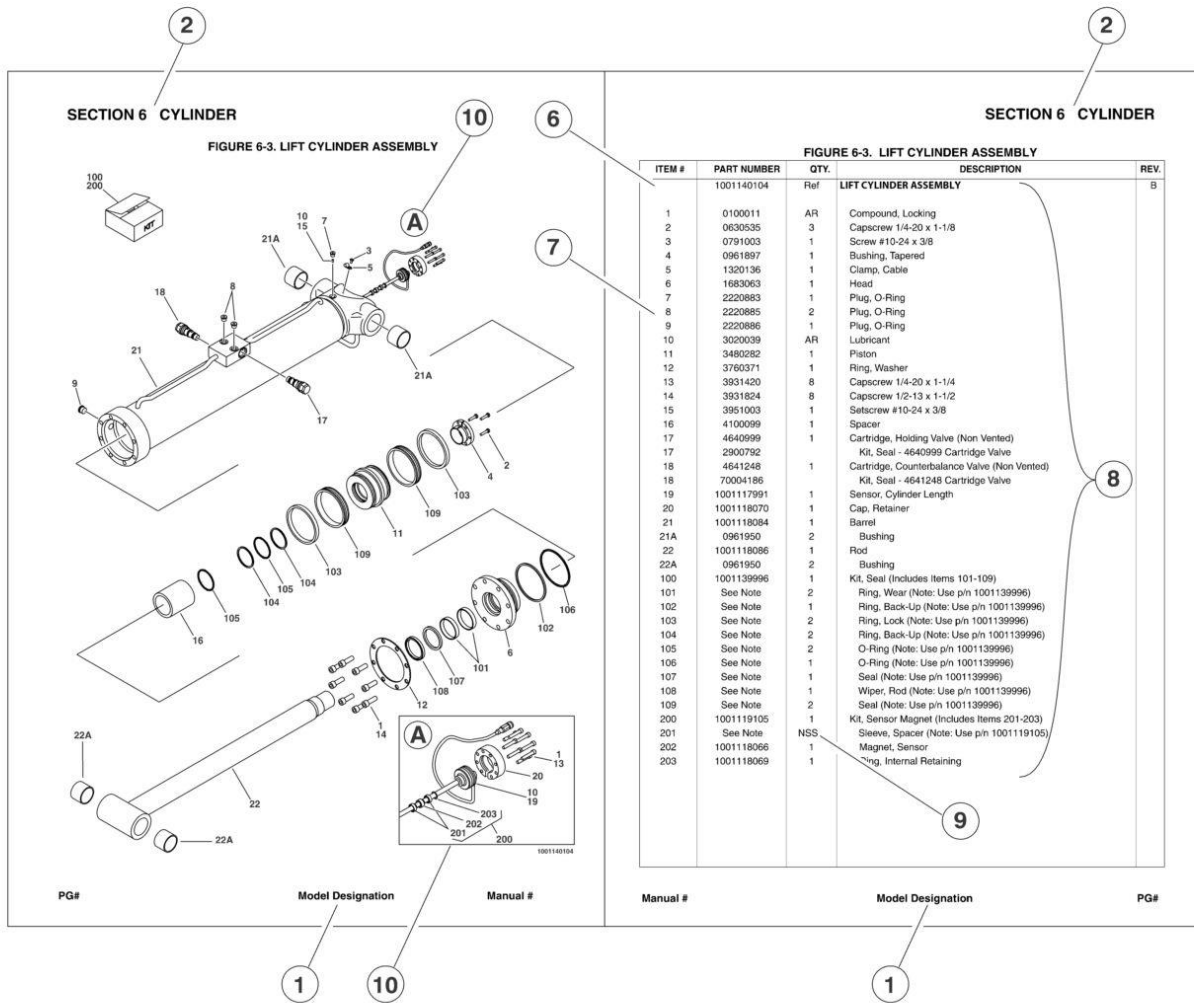
NOTE: Country of Assembly - The R Scissor Lifts are assembled by JLG Industries in the following countries: Mexico or China. Refer to the Serial Number Tag to identify the country of assembly. R Scissors assembled in Mexico will have a serial number prefix of M2 (i.e. M2XXXXXXXX) and R Scissors manufactured in China will have a serial number prefix of B2 or G2 (i.e. B2XXXXXXXX or G2XXXXXXXX).

### REVISION LOG:

September 30, 2020 - A - Original Issue of Manual (Edited to B/M 1001250332 Rev H and 1001250333 Rev K)

March 15, 2021 - B - Revised Manual (10012500332 Rev H and 1001250333 Rev L)

# GENERAL INFORMATION



## 1) MACHINE IDENTIFICATION

Machines are identified by model and in some cases a combination of models, serial number (SN) or regional standard (i.e ANSI, CE, CSA). Components may also be identified by SN or manufacturer. common components that may be identified by these characteristics are engines and hydraulic components.

## 2) PARTS MANUAL ORGANIZATION

Product information in this manual is organized under section titles. Frame, Cylinder, Hydraulic and Electrical are a few examples. Each section is organized by figure and page number. The information within the Figure is then organized by item number, part number, description and corresponding illustration (s).

## 3) TABLE OF CONTENTS

A table of contents is found toward the beginning of the manual. Figure number, description and page number are provide for quick reference to the page containing the related information.

## 4) RECOMMENDED SPARE PARTS

The Recommended Spare Parts, located near the end of the manual, referance most frequently used maintenance parts.

## 5) PART NUMBER INDEX

A numerical index listing all part numbers and the corresponding page number(s) appears at the back of the manual.



## GENERAL INFORMATION

### 6) NON-SERVICED PARTS

In some instances, it is necessary to display non-serviced parts, assemblies or installations. In the case of assemblies and installations there will be a Ref in the Qty column. In case of parts that are not available for service within assemblies and components, there will be a NSS (Not Sold Separately) or NLA (No Longer Available) listed in the Qty. column of the manual.

### 7) PARTS LIST ITEM NUMBERS

Numbers shown in the item# column correspond to numbers used in the associated illustration (s). Item numbers which are missing from the sequence in the parts list are not used on that page

### 8) INDENTED PARTS DESCRIPTION

An indented part description is included in the item under which it is indented.

### 9) ABBREVIATION AND SYMBOLS

AC.....	.. Alternating Current	LCD.....	Liquid Crystal Display
ADE.....	Advanced Design Electronics	LED.....	Light Emitting Diodes
ANSI.....	American National Standards Institute	LH.....	Left Hand
AR.....	..As Required	LSS.....	..Load Sensing System
ASSY.....	Assembly	M(m).....	Metric/Meter
AUX.....	Auxiliary	MM (mm).....	Milimeter
AWG.....	..American Wire Gauge	mA.....	Miliamps
B/M.....	..Bill of Material	NLA.....	No Longer Available
CE.....	..European Conformity	NPT.....	National Pipe Threads
CCW.....	..Counter Clockwise	NSS.....	Not Sold Separately
cm.....	Centimeter	OD.....	..Outside Diameter
CW.....	..Clockwise	ORB.....	O-Ring Boss
CSA.....	..Canadian Standard Association	ORFS.....	O-Ring Face Seal
CYL.....	..Cylinder	OZ (oz).....	..Ounces
DIA.....	Diameter	PG.....	..Page
DC.....	Direct Current	P/N.....	..Part Number
EMS.....	Emergency Stop	qt.....	..Quarts
ENG.....	Engine	QTY.....	..Quantity
FT (ft).....	Feet	REF.....	..Reference
GA (Ga).....	Gauge	REV.....	..Revision Level
HYD.....	Hydraulic	RH.....	..Right Hand
Hz.....	Hertz	SAE.....	Society of Automotive Engineers
ID.....	Inside Diameter	SN.....	..Serial Number
in.....	inches	SPEC(S).....	..Specifications
ISO.....	International Organization for Standards	T/T.....	..Turntable
JIC.....	Joint Industry Council	UGM.....	..Universal Ground Module
KG.....	..Kilogram	V.....	..Volts
L.....	..Liter	W.....	..Watts
LB.....	..Pounds	#.....	..Number

### 10) ILLUSTRATION REFERENCE LETTERS

When necessary, illustrations may contain reference letters that are intended to track information (i. e. hoses, harness) from one point to another or to track visual enlargement of components to show details that may be located in another area on the illustration.

*Note: Due to continuous product improvements, JLG Industries, Inc. reserves the right to make specification changes without prior notification. Contact JLG Industries, Inc. for updated information.*



# TABLE OF CONTENTS

SECTION 1 - FRAME.....	11
FIGURE 1-1. STEER INSTALLATION (MEXICO BUILT MACHINES).....	12
FIGURE 1-2. STEER INSTALLATION (CHINA BUILT MACHINES).....	14
FIGURE 1-3. STEER SPINDLE COVER INSTALLATION (MEXICO BUILT MACHINES).....	16
FIGURE 1-4. STEER SPINDLE COVER INSTALLATION (CHINA BUILT MACHINES).....	18
FIGURE 1-5. DRIVE/BRAKE INSTALLATION.....	20
FIGURE 1-6. DRIVE MOTOR ASSEMBLY.....	22
FIGURE 1-7. TIRE AND WHEEL INSTALLATION.....	24
FIGURE 1-8. POTHOLE PROTECTION SYSTEM INSTALLATION.....	26
FIGURE 1-9. TILT SENSOR INSTALLATION.....	28
FIGURE 1-10. BATTERY CHARGER INSTALLATION - DELTA-Q (WITHOUT COMMUNICATION PORT) (LOCALLY SUPPLIED PLUG).....	30
FIGURE 1-11. BATTERY CHARGER INSTALLATION - DELTA-Q (WITH COMMUNICATION PORT) (LOCALLY SUPPLIED PLUG).....	32
FIGURE 1-12. BATTERY CHARGER INSTALLATION - DELTA-Q (WITHOUT COMMUNICATION PORT) (110V PLUG) (R1532I).....	34
FIGURE 1-13. BATTERY CHARGER INSTALLATION - DELTA-Q (WITH COMMUNICATION PORT) (110V PLUG) (R1532I).....	36
FIGURE 1-14. BATTERY CHARGER INSTALLATION - DELTA-Q (WITHOUT COMMUNICATION PORT) (KOREAN PLUG) (R1532I).....	38
FIGURE 1-15. BATTERY CHARGER INSTALLATION - DELTA-Q (WITH COMMUNICATION PORT) (KOREAN PLUG) (R1532I).....	40
FIGURE 1-16. BATTERY CHARGER INSTALLATION - GREEN POWER (CHINA PLUG) (CHINA BUILT MACHINES) (R1532I).....	42
FIGURE 1-17. BATTERY CHARGER INSTALLATION - EAGLE PERFORMANCE (110V PLUG) (MEXICO BUILT MACHINES) (R1532I).....	44
FIGURE 1-18. BATTERY CHARGER INSTALLATION - GREEN POWER (LOCALLY SUPPLIED PLUG) (CHINA BUILT MACHINES) (R1532I).....	46
FIGURE 1-19. BATTERY CHARGER INSTALLATION - DELTA-Q (WITHOUT COMMUNICATION PORT) (R1932I/R1932).....	48
FIGURE 1-20. BATTERY CHARGER INSTALLATION - DELTA-Q (WITHOUT COMMUNICATION PORT) (R1932I/R1932).....	50
FIGURE 1-21. BATTERY CHARGER INSTALLATION - EAGLE PERFORMANCE (MEXICO BUILT MACHINES) (R1932I/R1932).....	52
FIGURE 1-22. BATTERY CHARGER INSTALLATION - GREEN POWER (LOCALLY SUPPLIED PLUG) (CHINA BUILT MACHINES) (R1932I/R1932).....	54
FIGURE 1-23. STROBE LIGHT INSTALLATION - SINGLE SANMAK BRAND (AMBER) (WITH GUARD).....	56
FIGURE 1-24. STROBE LIGHT INSTALLATION - DAUL SANMAK BRAND (AMBER) (WITH GUARD).....	58
FIGURE 1-25. ALARM INSTALLATION (AMBIENT/WHITE NOISE) (OPTIONAL).....	60
FIGURE 1-26. LADDER INSTALLATION.....	62
FIGURE 1-27. FRAME COVERS INSTALLATION - FRONT AND REAR (R1532I/R1932I).....	64
FIGURE 1-28. FRAME COVERS INSTALLATION - FRONT (R1932).....	66
SECTION 2 - GROUND CONTROLS.....	69
FIGURE 2-1. HYDRAULIC COMPONENTS INSTALLATION.....	70
FIGURE 2-2. VALVE ASSEMBLY.....	72
FIGURE 2-3. ELECTRICAL COMPONENTS INSTALLATION.....	74
FIGURE 2-4. ELECTRICAL COMPONENTS INSTALLATION (EUROPEAN BUILT MACHINES).....	76
FIGURE 2-5. MDI INSTALLATION.....	78
FIGURE 2-6. BATTERIES INSTALLATION - STANDARD BATTERIES WITH DISCONNECT.....	80
FIGURE 2-7. BATTERIES INSTALLATION - AGM BATTERIES WITH DISCONNECT (MEXICO BUILT MACHINES).....	82
FIGURE 2-8. BATTERIES INSTALLATION - AGM EVCG BATTERIES WITH DISCONNECT (CHINA BUILT MACHINES).....	84
FIGURE 2-9. BATTERIES INSTALLATION - TROJAN BATTERIES WITH DISCONNECT (CHINA BUILT MACHINES).....	86
FIGURE 2-10. INVERTER INSTALLATION (OPTIONAL) (MEXICO BUILT MACHINES).....	88
FIGURE 2-11. DOORS INSTALLATION.....	90
SECTION 3 - SCISSORS ARMS.....	93
FIGURE 3-1. SCISSORS ARMS INSTALLATION – R1532I (MEXICO BUILT MACHINES).....	94
FIGURE 3-2. SCISSORS ARMS INSTALLATION – R1532I (CHINA BUILT MACHINES).....	98
FIGURE 3-3. SCISSORS ARMS INSTALLATION – R1932/R1932I (MEXICO BUILT MACHINES).....	102
FIGURE 3-4. SCISSORS ARMS INSTALLATION – R1932/R1932I (CHINA BUILT MACHINES).....	106
FIGURE 3-5. SCISSORS ARMS KIT - R1532I.....	110
FIGURE 3-6. SCISSORS ARMS KIT - R1932/R1932I.....	112
FIGURE 3-7. ARM GUARD INSTALLATION.....	114
SECTION 4 - PLATFORM.....	117

# TABLE OF CONTENTS

FIGURE 4-1. PLATFORM INSTALLATION – R1532I.....	118
FIGURE 4-2. PLATFORM INSTALLATION - R1932/R1932I .....	120
FIGURE 4-3. PLATFORM EXTENSION INSTALLATION .....	122
FIGURE 4-4. RAILS INSTALLATION - FIXED RAILS/GATE ENTRY (INSIDE TUBE SLIDER) .....	124
FIGURE 4-5. RAIL KIT - FIXED RAILS (INSIDE TUBE SLIDER) .....	126
FIGURE 4-6. RAILS INSTALLATION - FOLD-DOWN RAILS/GATE ENTRY (INSIDE TUBE SLIDER) .....	128
FIGURE 4-7. RAIL KIT - FOLD-DOWN RAILS (INSIDE TUBE SLIDER) .....	130
FIGURE 4-8. RAILS INSTALLATION - FOLD-DOWN RAILS/GATE ENTRY (QUIK FOLD) (INSIDE TUBE SLIDER) .....	132
FIGURE 4-9. RAILS INSTALLATION - FOLD-DOWN RAILS/GATE ENTRY (OUTSIDE TUBE SLIDER) .....	134
FIGURE 4-10. RAILS INSTALLATION – FOLD-DOWN RAILS/GATE ENTRY (NARROW ACCESS) .....	136
FIGURE 4-11. HANDLE EXTENSION INSTALLATION (OPTIONAL) .....	140
FIGURE 4-12. GATE LATCH INSTALLATION - OPTIONAL .....	142
FIGURE 4-13. PLATFORM CONTROL BOX INSTALLATION - INDOOR ONLY (R1532I/R1932I) .....	144
FIGURE 4-14. PLATFORM CONTROL BOX INSTALLATION (R1932) .....	146
FIGURE 4-15. PLATFORM CONTROL BOX INSTALLATION (R1932) (NOBLE).....	148
FIGURE 4-16. GROUND TO PLATFORM CABLE INSTALLATION - R1932 WITHOUT PLATFORM COIL CABLE (NOBLE) .....	150
FIGURE 4-17. DRIVE/STEER CONTROLLER ASSEMBLY .....	152
FIGURE 4-18. USB/PHONE CRADLE INSTALLATION .....	154
FIGURE 4-19. OVERHEAD PROTECTION INSTALLATION (KOREAN SPECS) .....	156
FIGURE 4-20. PANEL CARRIER INSTALLATION (R1932) .....	158
FIGURE 4-21. PIPE RACK INSTALLATION (R1932).....	160
SECTION 5 - CYLINDER .....	163
FIGURE 5-1. LIFT CYLINDER ASSEMBLY (MEXICO BUILT MACHINES) .....	164
FIGURE 5-2. LIFT CYLINDER ASSEMBLY (CHINA BUILT MACHINES) .....	166
FIGURE 5-3. STEER CYLINDER ASSEMBLY (MEXICO BUILT MACHINES) .....	168
FIGURE 5-4. STEER CYLINDER ASSEMBLY (CHINA BUILT MACHINES) .....	170
SECTION 6 - HYDRAULIC .....	173
FIGURE 6-1. HYDRAULIC DIAGRAM.....	174
SECTION 7 - ELECTRICAL .....	177
FIGURE 7-1. AC BOX AT PLATFORM INSTALLATION - 110V GFI (ANSI, ANSI EXPORT, CHINA, CSA, JAPANESE AND KOREA SPECS).....	178
FIGURE 7-2. AC BOX AT PLATFORM INSTALLATION - 110V IEC YELLOW (CE SPECS) .....	180
FIGURE 7-3. AC BOX AT PLATFORM INSTALLATION - 220V IEC BLUE (CE SPECS) .....	182
FIGURE 7-4. AC BOX AT PLATFORM INSTALLATION - 220V CEE7 POST GROUND (CE SPECS) .....	184
FIGURE 7-5. AC BOX AT PLATFORM INSTALLATION - 220V CEE7 SIDE GROUND (CE SPECS) .....	186
FIGURE 7-6. AC BOX AT PLATFORM INSTALLATION - 220V AFSINT 107 (CE SPECS).....	188
FIGURE 7-7. AC BOX AT PLATFORM INSTALLATION - 220V CHINA PLUG (CHINA SPECS) .....	190
FIGURE 7-8. AC BOX AT PLATFORM INSTALLATION - 220V LOCALLY SUPPLIED COMPONENTS (ALL SPECS) .....	192
FIGURE 7-9. BREAKER BOX KIT WITH 1 DOUBLE BREAKER .....	194
FIGURE 7-10. BREAKER BOX KIT WITH 3 BREAKERS .....	196
FIGURE 7-11. CAN SPLICE HARNESS .....	198
FIGURE 7-12. CHARGER HARNESS (CHARGER WITH COMMUNICATION PORT) .....	200
FIGURE 7-13. CHARGER PLUG INSTALLATION - LOCALLY SUPPLIED PLUG (ALL SPECS) (R1932I/R1932) .....	202
FIGURE 7-14. CHARGER PLUG INSTALLATION - 110V PLUG (ALL SPECS EXCEPT AUSTRALIAN, CE AND KOREA SPECS) (R1932I/R1932) .....	204
FIGURE 7-15. CHARGER PLUG INSTALLATION (AUSTRALIAN PLUG) (R1932I/R1932) .....	206
FIGURE 7-16. CHARGER PLUG INSTALLATION - 220V AFSINT 107 (CE SPEC) (R1932I/R1932) .....	208
FIGURE 7-17. CHARGER PLUG INSTALLATION - 220V CEE7 PLUG (CE SPECS) (R1932I/R1932) .....	210
FIGURE 7-18. CHARGER PLUG INSTALLATION - 110V IEC YELLOW (CE SPEC) (CE SPECS) (R1932I/R1932) .....	212
FIGURE 7-19. CHARGER PLUG INSTALLATION - 220V IEC BLUE (CE SPEC) (CE SPECS) (R1932I/R1932) .....	214
FIGURE 7-20. CHARGER PLUG INSTALLATION (CHINA PLUG) (R1932I/R1932) .....	216
FIGURE 7-21. CHASSIS HARNESS .....	218
FIGURE 7-22. GROUND TO PLATFORM CABLE INSTALLATION - R1532I WITHOUT PLATFORM COIL CABLE .....	222
FIGURE 7-23. GROUND TO PLATFORM CABLE INSTALLATION - R1532I WITH PLATFORM COIL CABLE .....	224
FIGURE 7-24. GROUND TO PLATFORM CABLE INSTALLATION - R1532I WITHOUT PLATFORM COIL CABLE AND WITH FOOTSWITCH .....	226
FIGURE 7-25. GROUND TO PLATFORM CABLE INSTALLATION - R1532I WITH PLATFORM COIL CABLE AND FOOTSWITCH .....	228
FIGURE 7-26. GROUND TO PLATFORM CABLE INSTALLATION – R1932I/R1932 WITHOUT PLATFORM COIL CABLE (ALL SPECS EXCEPT AUSTRALIAN AND KOREA SPECS) .....	230

# TABLE OF CONTENTS

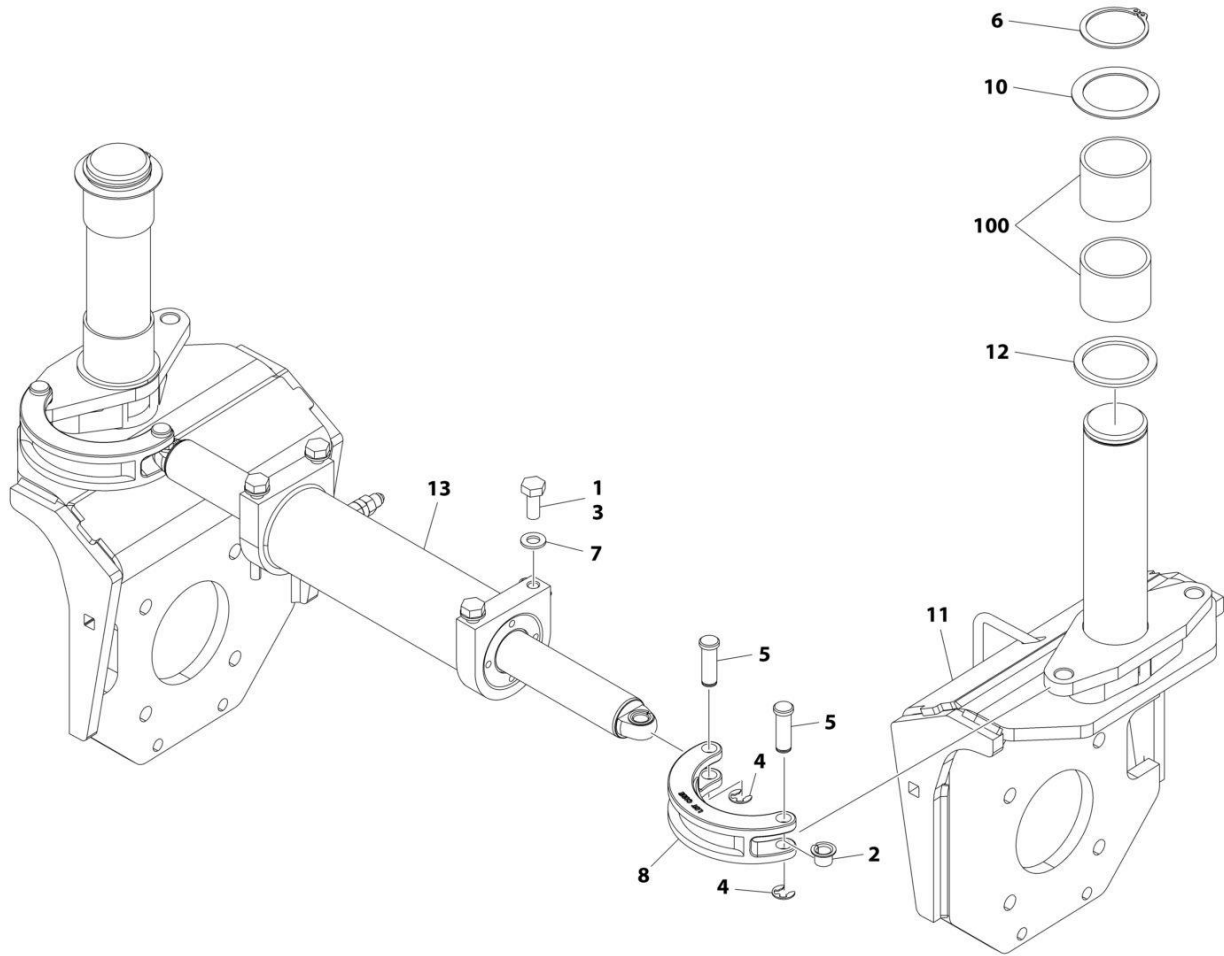
FIGURE 7-27. GROUND TO PLATFORM CABLE INSTALLATION - R1932 WITHOUT PLATFORM COIL CABLE (AUSTRALIAN SPECS) .....	232
FIGURE 7-28. GROUND TO PLATFORM CABLE INSTALLATION - R1932I/R1932 WITH PLATFORM COIL CABLE (ALL SPECS EXCEPT AUSTRALIAN AND KOREA SPECS AND NOBLE) .....	234
FIGURE 7-29. GROUND TO PLATFORM CABLE INSTALLATION - R1932 WITH PLATFORM COIL CABLE (AUSTRALIAN SPECS) .....	236
FIGURE 7-30. GROUND TO PLATFORM CABLE INSTALLATION - R1932I/R1932 WITHOUT PLATFORM COIL CABLE AND WITH FOOTSWITCH.....	238
FIGURE 7-31. GROUND TO PLATFORM CABLE INSTALLATION - R1932I/R1932 WITH PLATFORM COIL CABLE AND FOOTSWITCH.....	240
FIGURE 7-32. GROUND TO PLATFORM CABLE INSTALLATION - R1932I/R1932 WITH PLATFORM STRAIGHT CABLE ONLY (EUROPEAN BUILT MACHINES) .....	242
FIGURE 7-33. GROUND TO PLATFORM CABLE INSTALLATION - R1932I/R1932 WITH PLATFORM COIL CABLE ONLY (EUROPEAN BUILT MACHINES) .....	244
FIGURE 7-34. LIFT DOWN HARNESS - WITH LSS.....	246
FIGURE 7-35. PLATFORM BOX HARNESS .....	248
FIGURE 7-36. RECEPTACLE BOX KIT - 110V GFI .....	250
FIGURE 7-37. RECEPTACLE BOX KIT - 110V IEC YELLOW (CE SPEC) .....	252
FIGURE 7-38. RECEPTACLE BOX KIT - 220V IEC BLUE (CE SPEC) .....	254
FIGURE 7-39. RECEPTACLE BOX KIT - 220V CEE7 POST GROUND (CE SPEC) .....	256
FIGURE 7-40. RECEPTACLE BOX KIT - 220V CEE7 SIDE GROUND (CE SPEC) .....	258
FIGURE 7-41. RECEPTACLE BOX KIT - 220V AFSINT 107 (CE SPEC) .....	260
SECTION 8 - DECALS .....	263
FIGURE 8-1. DECAL INSTALLATION (ANSI SPEC).....	264
FIGURE 8-2. DECAL INSTALLATION (AUSTRALIAN SPECS).....	266
FIGURE 8-3. DECAL INSTALLATION (BRAZIL SPECS) .....	268
FIGURE 8-4. DECAL INSTALLATION (CE SPECS) .....	270
FIGURE 8-5. DECAL INSTALLATION (CHINA SPECS) .....	272
FIGURE 8-6. DECAL INSTALLATION (CSA SPECS) .....	274
FIGURE 8-7. DECAL INSTALLATION (KOREAN SPECS) .....	276
FIGURE 8-8. DECAL INSTALLATION (LATIN AMERICAN SPECS) .....	278
FIGURE 8-9. DECAL INSTALLATION - OPTIONS .....	280
SECTION 9 - RECOMMENDED SERVICE PARTS STOCK.....	283
FIGURE 9-1. RECOMMENDED SERVICE PARTS STOCK .....	284
SECTION 10 - SPECIAL OPTIONS/ACCESSORIES/KITS.....	285
FIGURE 10-1. SPECIAL OPTIONS.....	286
PART NUMBER INDEX .....	289



**SECTION 1 - FRAME**

# SECTION 1 - FRAME

## FIGURE 1-1. STEER INSTALLATION (MEXICO BUILT MACHINES)



ART\_1001202300



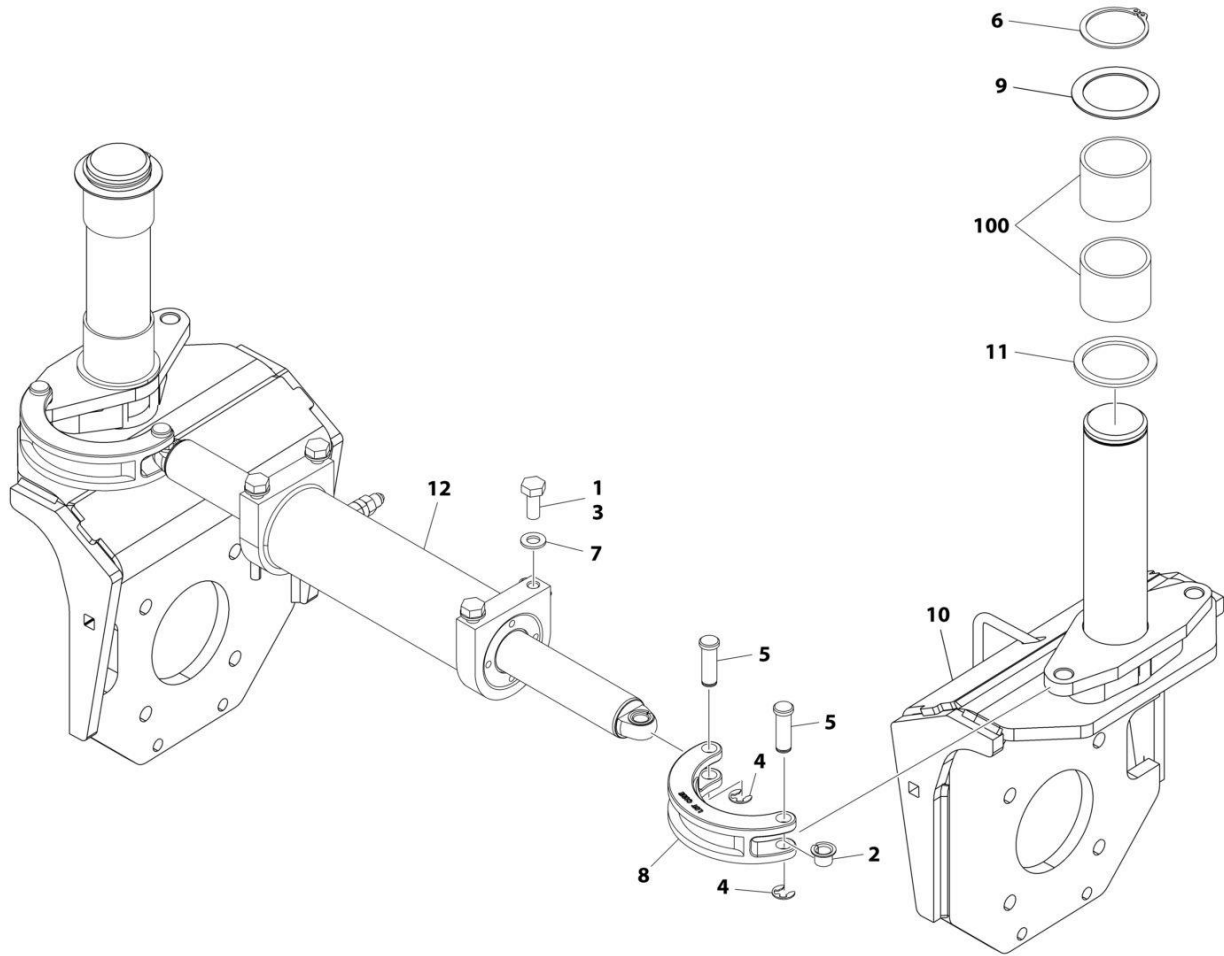
## SECTION 1 - FRAME

**FIGURE 1-1. STEER INSTALLATION (MEXICO BUILT MACHINES)**

ITEM	PART NUMBER	QTY	DESCRIPTION	REV
	1001202300	Ref	STEER INSTALLATION	E
1	0100011	AR	Compound, Locking	
2	0440259	2	Bearing	
3	0761012	4	Bolt M10 x 25	
4	1380153	4	Clip	
5	3423037	4	Pin	
6	3760217	2	Ring, Retaining	
7	4812000	4	Washer M10	
8	4846757	2	Lug, Steering	
10	1001197396	2	Washer	
11	1001201248	2	Spindle	
12	1001205751	2	Washer	
13	1001220570	1	Steer Cylinder Assembly (See Separate Breakdown in CYLINDER SECTION)	
100	1001153785	4	Bearing (Part of Frame)	

# SECTION 1 - FRAME

## FIGURE 1-2. STEER INSTALLATION (CHINA BUILT MACHINES)



ART\_1001263538

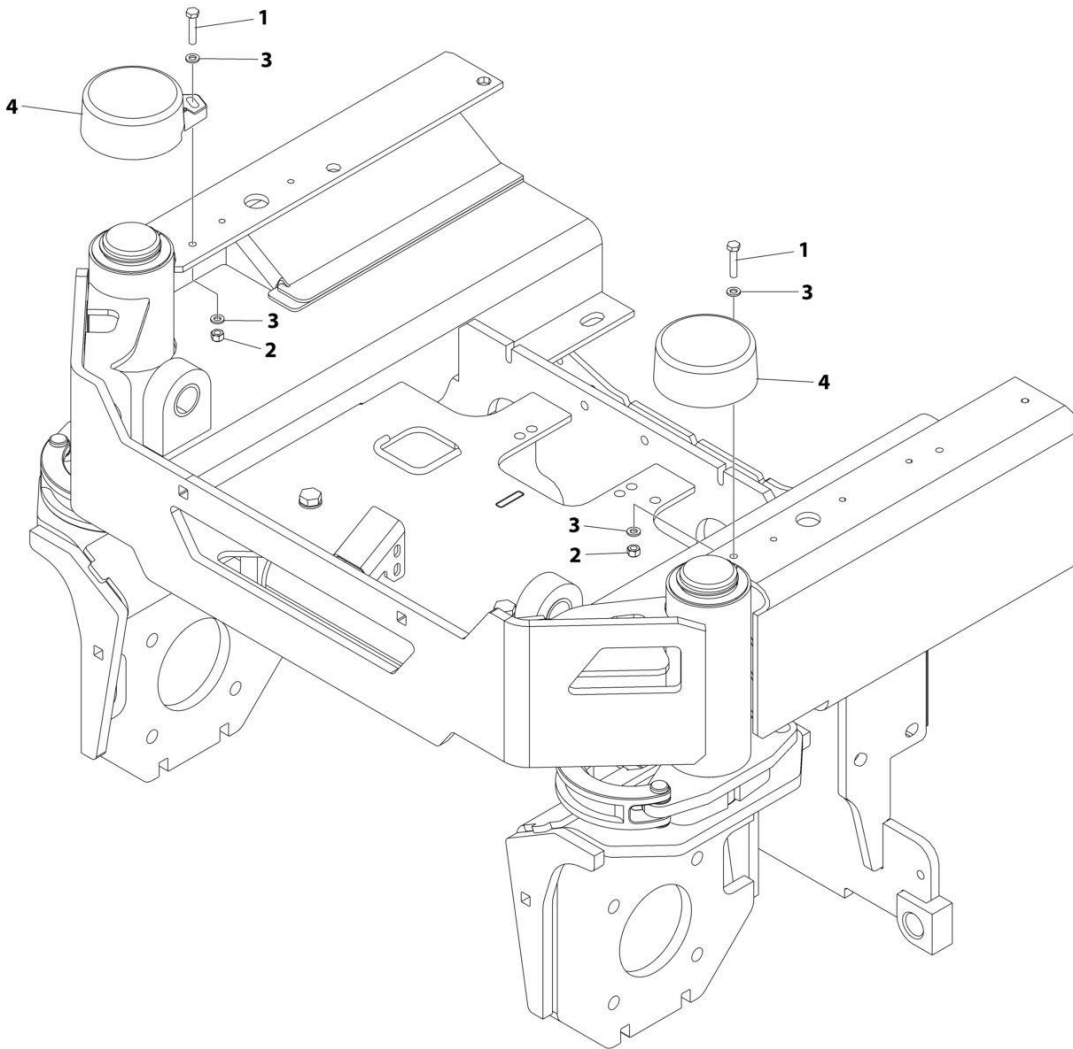
## SECTION 1 - FRAME

**FIGURE 1-2. STEER INSTALLATION (CHINA BUILT MACHINES)**

ITEM	PART NUMBER	QTY	DESCRIPTION	REV
	1001263538	Ref	STEER INSTALLATION	A
1	0100011	AR	Compound, Locking	
2	0440259	2	Bearing	
3	0761012	4	Bolt M10 x 25	
4	1380153	4	Clip	
5	3423037	4	Pin	
6	3760217	2	Ring, Retaining	
7	4812000	4	Washer M10	
8	4846757	2	Lug, Steering	
9	1001197396	2	Washer	
10	1001201248	2	Spindle	
11	1001205751	2	Washer	
12	1001256788	1	Steer Cylinder Assembly (See Separate Breakdown in CYLINDER SECTION)	
100	1001153785	4	Bearing (Part of Frame)	

# SECTION 1 - FRAME

## FIGURE 1-3. STEER SPINDLE COVER INSTALLATION (MEXICO BUILT MACHINES)



ART\_1001269704

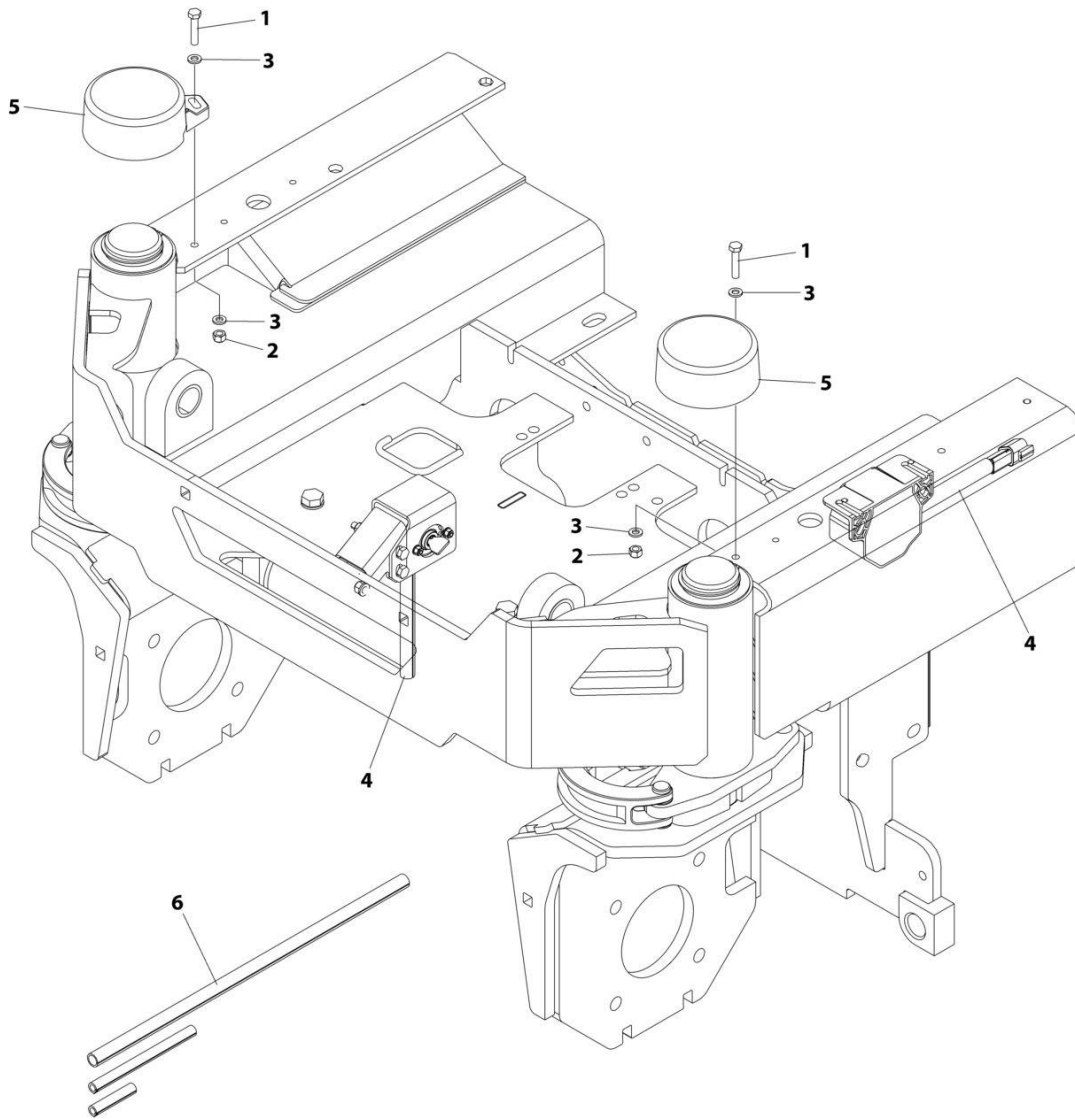
## SECTION 1 - FRAME

**FIGURE 1-3. STEER SPINDLE COVER INSTALLATION (MEXICO BUILT MACHINES)**

ITEM	PART NUMBER	QTY	DESCRIPTION	REV
	1001269704	Ref	STEER SPINDLE COVER INSTALLATION	A
1	0700614	2	Bolt M6 x 30	
2	3290605	2	Nut M6	
3	4811700	4	Washer M6	
4	1001262464	2	Cover, Steering	

# SECTION 1 - FRAME

## FIGURE 1-4. STEER SPINDLE COVER INSTALLATION (CHINA BUILT MACHINES)



(INSTALLED ON LSS HARNESS)

ART\_1001271574

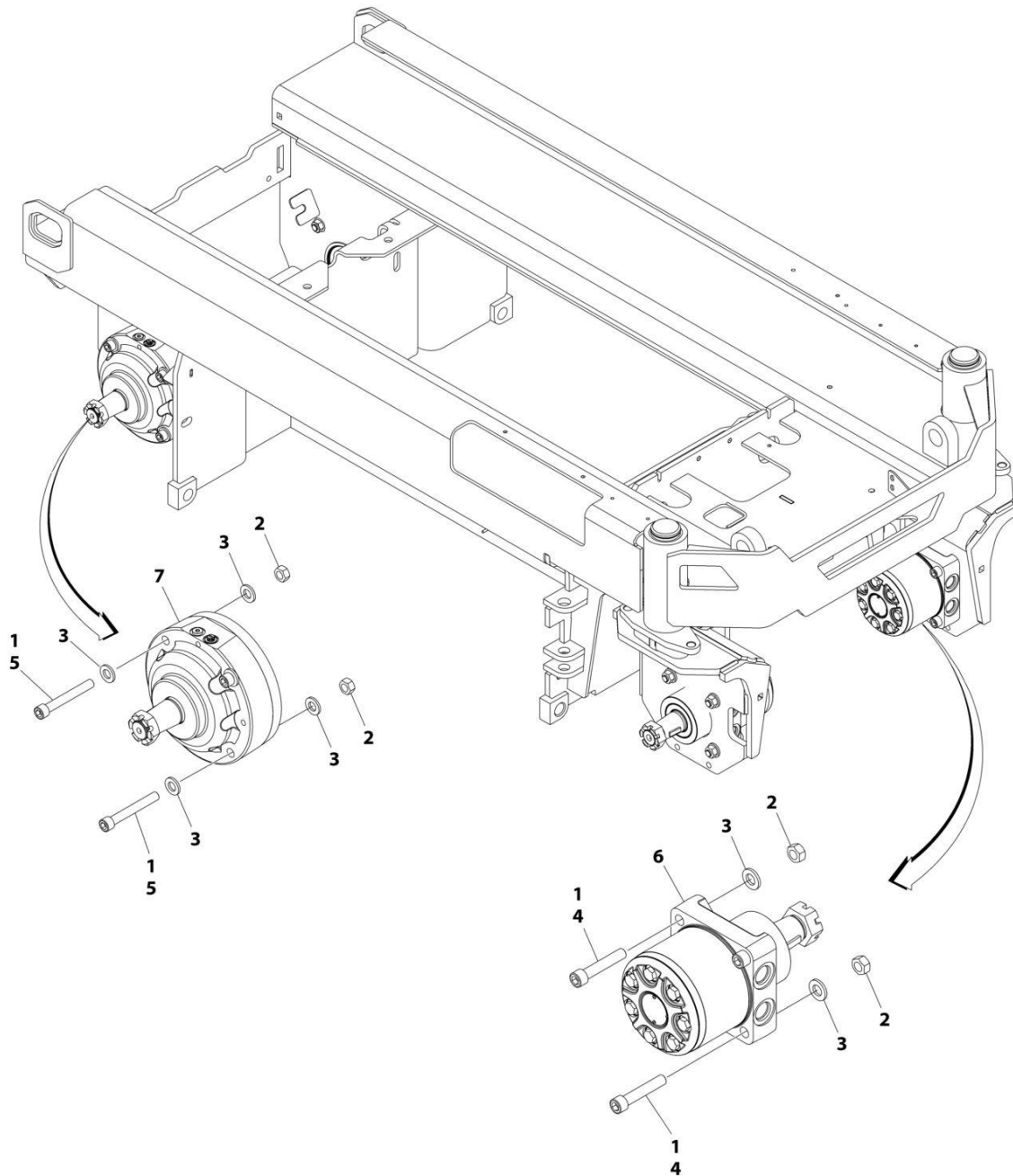
## SECTION 1 - FRAME

**FIGURE 1-4. STEER SPINDLE COVER INSTALLATION (CHINA BUILT MACHINES)**

ITEM	PART NUMBER	QTY	DESCRIPTION	REV
	1001271574	Ref	STEER SPINDLE COVER INSTALLATION	A
1	0700614	2	Bolt M6 x 30	
2	3290605	2	Nut M6	
3	4811700	4	Washer M6	
4	1001262299	2	Conduit	
5	1001262464	2	Cover, Steering	
6	1001270823	1	Conduit	

# SECTION 1 - FRAME

## FIGURE 1-5. DRIVE/BRAKE INSTALLATION



ART\_1001202689



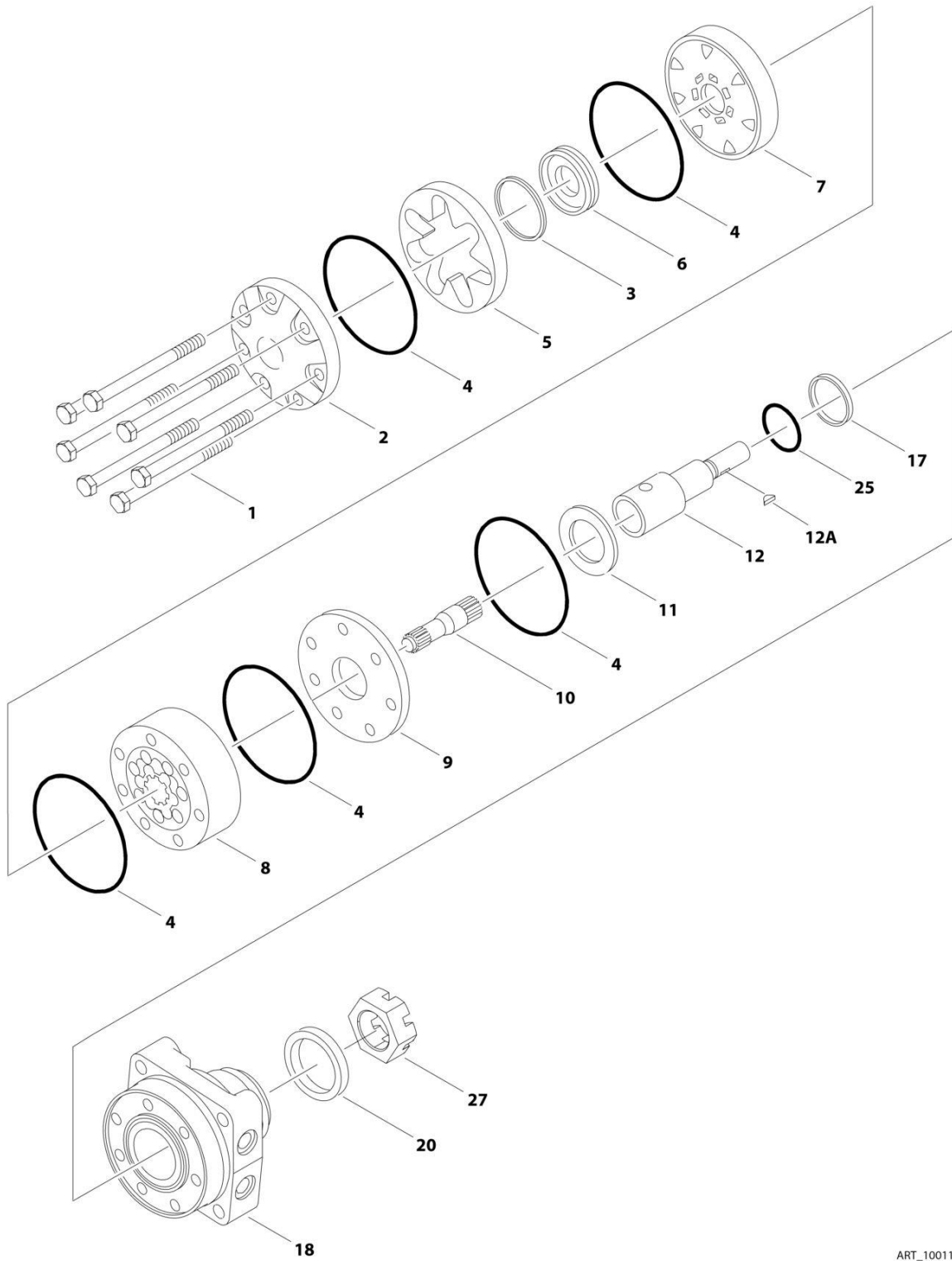
# SECTION 1 - FRAME

## FIGURE 1-5. DRIVE/BRAKE INSTALLATION

ITEM	PART NUMBER	QTY	DESCRIPTION	REV
	1001202689	Ref	DRIVE/BRAKE INSTALLATION	B
1	0100011	AR	Compound, Locking	
2	3331211	16	Nut M12	
3	5241200	24	Washer M12	
4	5272117	8	Capscrew M12 x 65	
5	5272122	8	Capscrew M12 x 90	
6	1001199937	2	Drive Motor Assembly (See Separate Breakdown in this Section)	
7	1001202773	2	Drive Brake Assembly (Note: No Internal Service Parts Available.)	
7	70005918	1	Key, Shaft	
7	70005919	1	Nut 1-1/8	

# SECTION 1 - FRAME

## FIGURE 1-6. DRIVE MOTOR ASSEMBLY



ART\_1001199937

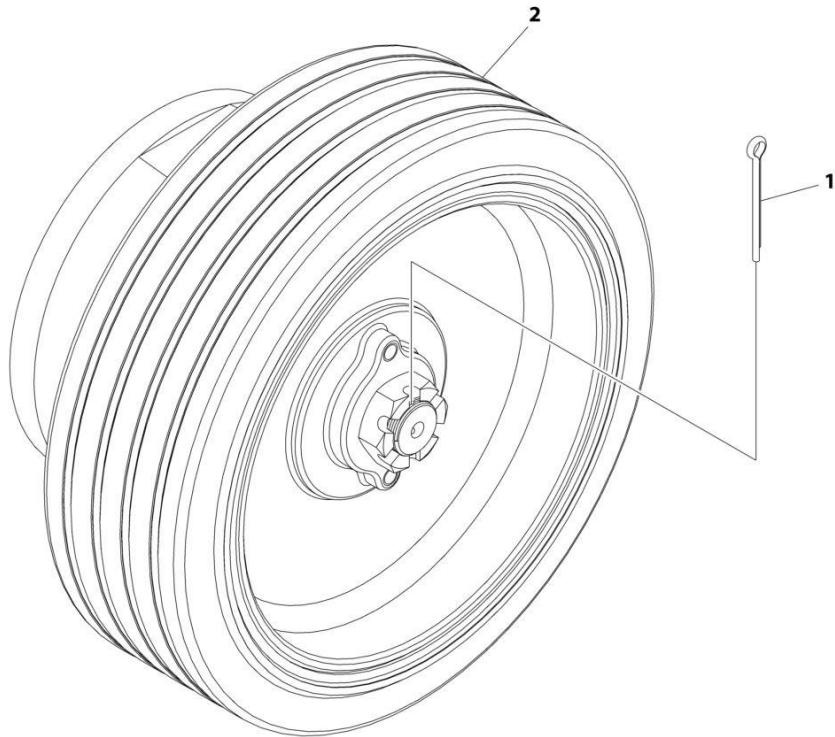
# SECTION 1 - FRAME

## FIGURE 1-6. DRIVE MOTOR ASSEMBLY

ITEM	PART NUMBER	QTY	DESCRIPTION	REV
	1001199937	Ref	DRIVE MOTOR ASSEMBLY	D
1	70005806	7	Bolt	
2	7023328	1	Cover	
3	7023318	1	Seal, Commutator	
4	7023310	5	Ring, Seal	
5	7023315	1	Commutator (Includes Item 6)	
6	See Note	NSS	Ring, Commutator (Use p/n 7023315)	
7	70005812	1	Manifold	
8	70000278	1	Rotor Set	
9	7023311	1	Plate, Wear	
10	70005814	1	Link, Drive	
11	7023308	1	Bearing, Thrust	
12	70005813	1	Shaft	
12A	7023324	1	Key, Shaft	
17	70005809	1	Washer, Backup	
18	See Note	NSS	Housing Assembly (Use p/n 1001199937)	
20	7023319	1	Seal, Dirt and Water	
25	70005808	1	Ring, Backup	
27	70005807	1	Nut	

# SECTION 1 - FRAME

## FIGURE 1-7. TIRE AND WHEEL INSTALLATION



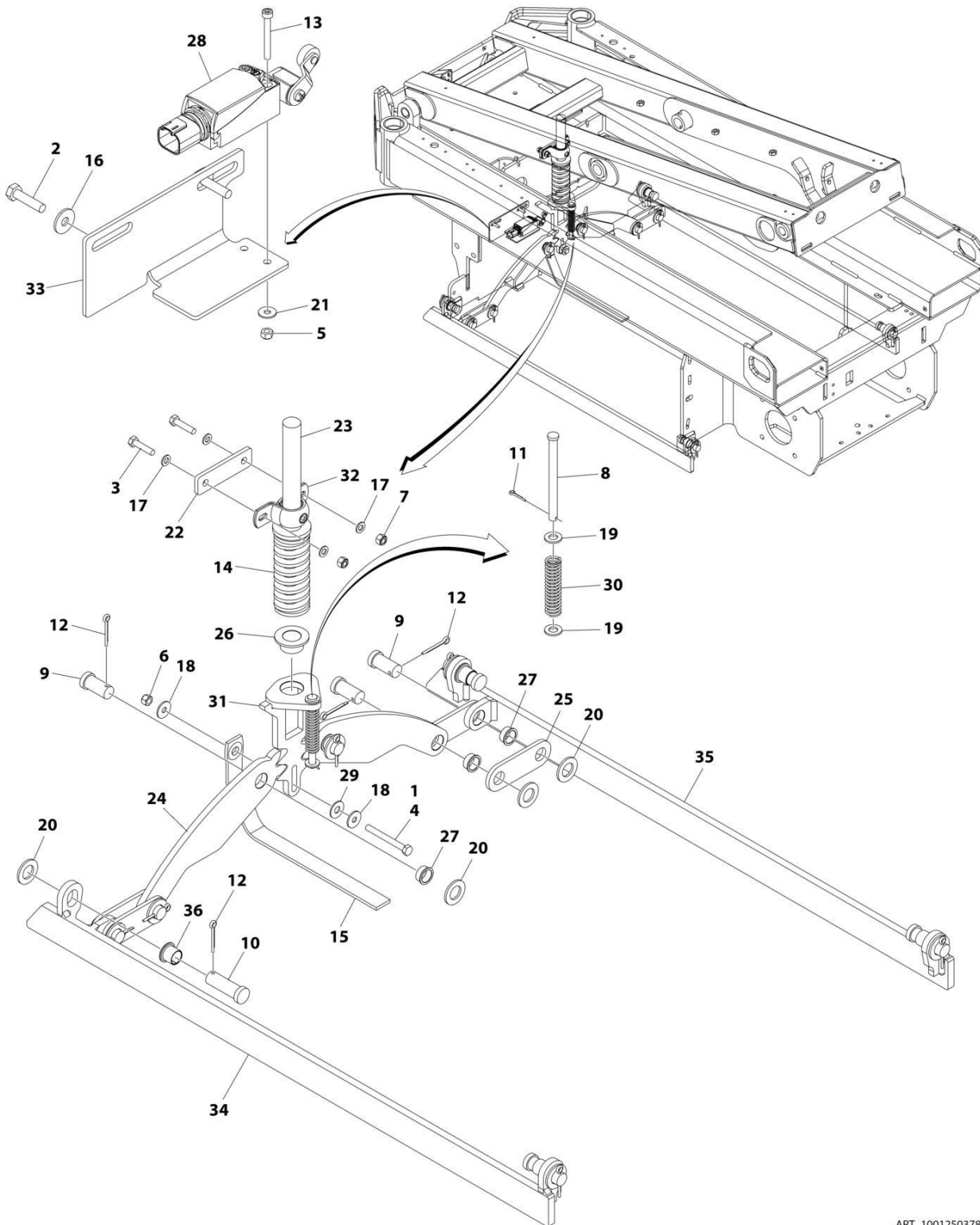
ART\_1001202731

**FIGURE 1-7. TIRE AND WHEEL INSTALLATION**

ITEM	PART NUMBER	QTY	DESCRIPTION	REV
	1001202731	Ref	TIRE AND WHEEL INSTALLATION	B
		Ref	Note: Must Replace Tire and Wheel Assemblies in pairs per axle.	
1	3450508	4	Pin, Cotter 5/32 x 2	
2	1001200441	4	Tire and Wheel	

# SECTION 1 - FRAME

## FIGURE 1-8. POTHOLE PROTECTION SYSTEM INSTALLATION



ART\_1001250378

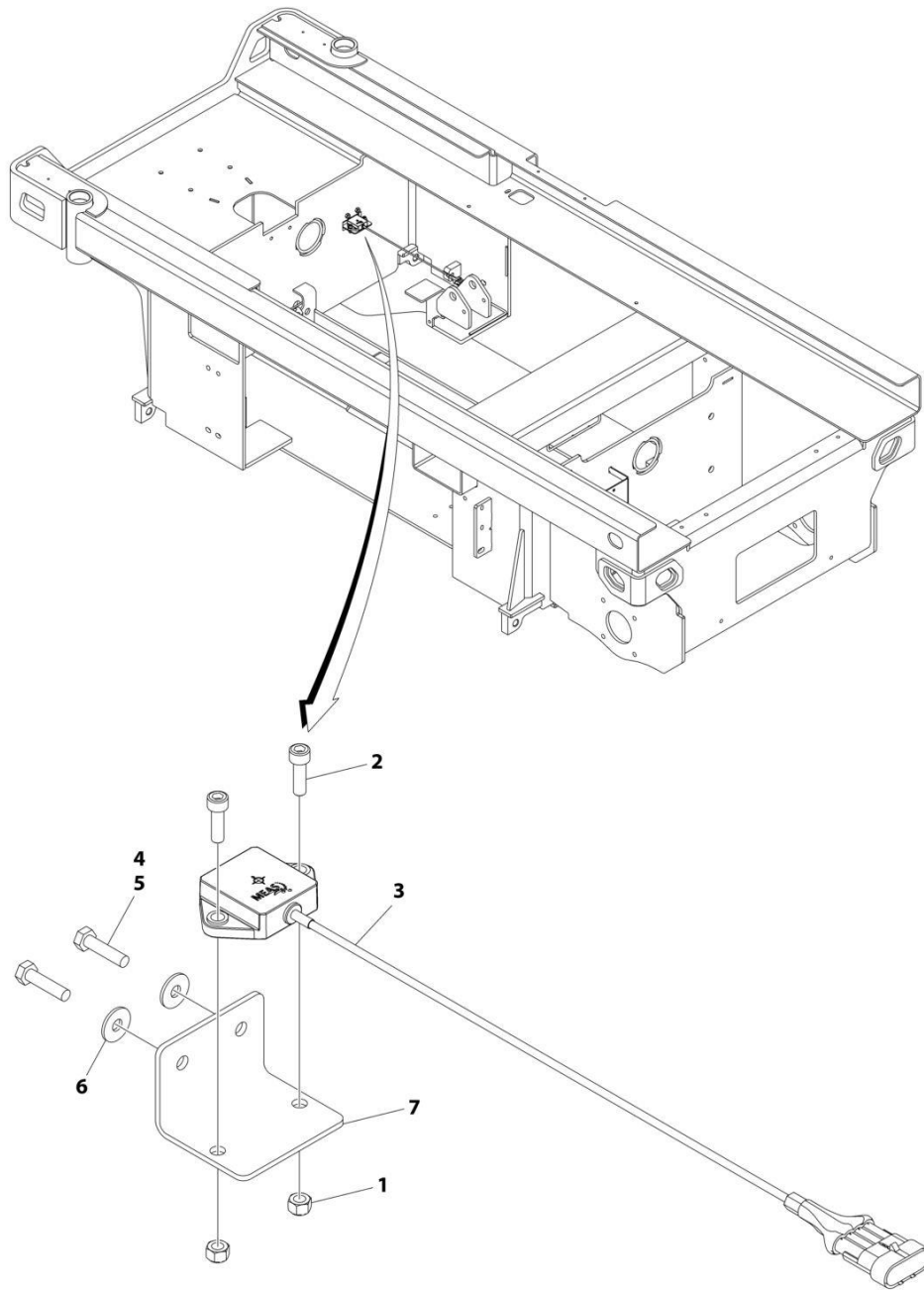
## SECTION 1 - FRAME

**FIGURE 1-8. POTHOLE PROTECTION SYSTEM INSTALLATION**

ITEM	PART NUMBER	QTY	DESCRIPTION	REV
	1001250378	Ref	POTHOLE PROTECTION INSTALLATION	B
1	0100011	AR	Compound, Locking	
2	0700612	2	Bolt M6 x 25	
3	0700815	2	Bolt M8 x 35	
4	0700823	1	Bolt M8 x 75	
5	3290405	2	Nut M4	
6	3290801	1	Nut M8	
7	3290805	2	Nut M8	
8	3430636	1	Pin	
9	3431212	6	Pin	
10	3431218	4	Pin	
11	3450302	1	Pin, Cotter 7/8 x 1/2	
12	3450505	10	Pin, Cotter 5/32 x 1/2	
13	4031511	2	Capscrew M4 x 35	
14	4160202	1	Spring	
15	4240147	1	Strap, Anti-Static	
16	4811702	2	Washer M6	
17	4811900	4	Washer M8	
18	4811902	2	Washer M8	
19	4812000	2	Washer M10	
20	4812500	10	Washer M20	
21	1001091102	2	Washer M4	
22	1001202987	1	Plate, Mounting	
23	1001202988	1	Actuator (Upper)	
24	1001202994	2	Plate, Pinion	
25	1001202999	4	Link	
26	1001203869	1	Bearing	
27	1001203870	6	Bearing	
28	1001203871	1	Switch, Limit	
29	1001203872	1	Washer 3/8	
30	1001212068	1	Spring	
31	1001214526	1	Actuator (Lower)	
32	1001215953	1	Bearing	
33	1001218307	1	Plate, Sensor Mount	
34	1001251436	1	Bar (LH)	
35	1001251437	1	Bar (RH)	
36	0440263	4	Bearing	

# SECTION 1 - FRAME

## FIGURE 1-9. TILT SENSOR INSTALLATION



ART\_1001214217



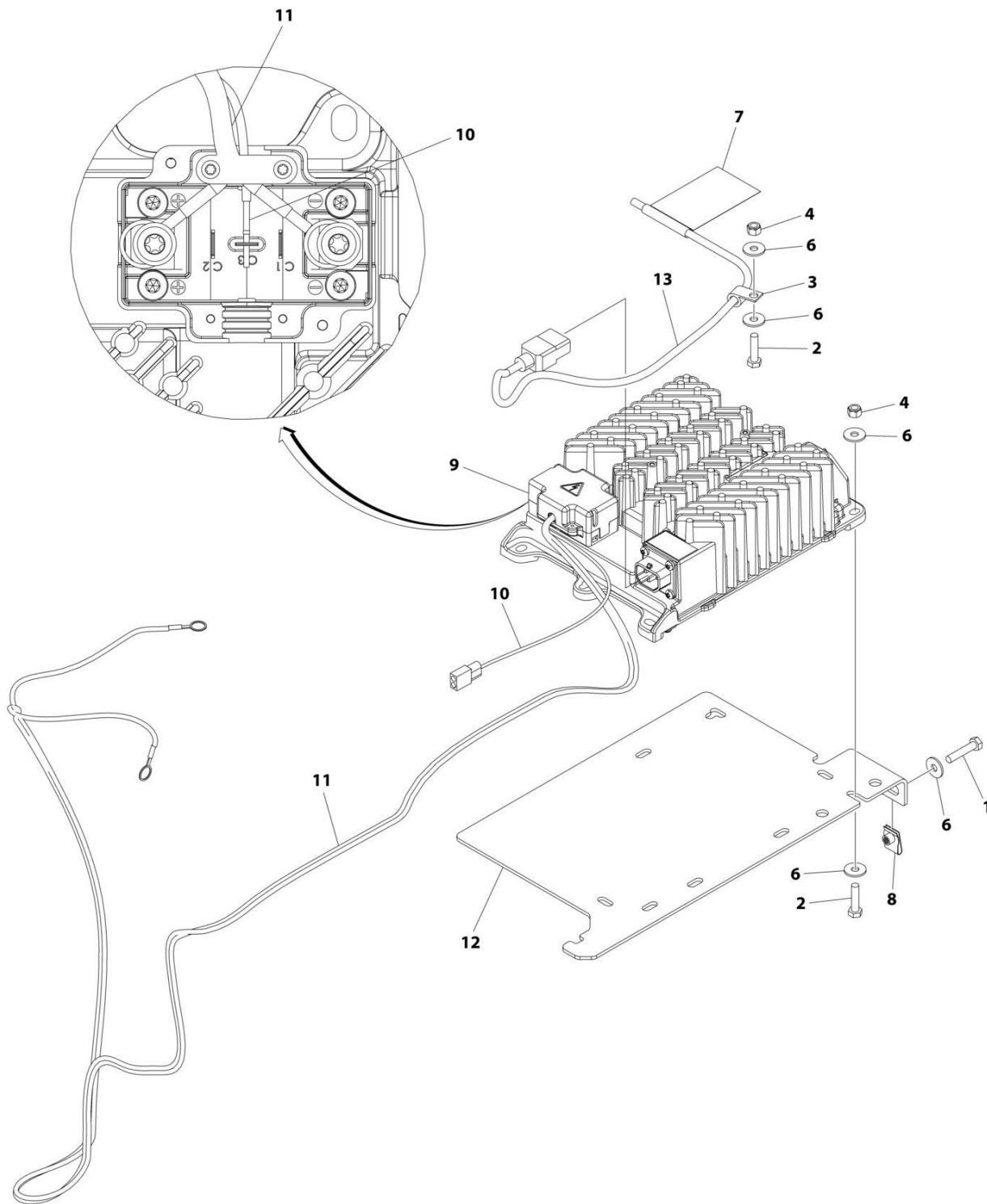
# SECTION 1 - FRAME

## FIGURE 1-9. TILT SENSOR INSTALLATION

ITEM	PART NUMBER	QTY	DESCRIPTION	REV
	1001214217	Ref	TILT SENSOR INSTALLATION	C
1	3290601	2	Nut M6	
2	4031708	2	Capscrew M6 x 20	
3	1001186466	1	Sensor, Tilt	
4	0100011	AR	Compound, Locking	
5	0700612	2	Bolt M6 x 25	
6	4811702	2	Washer M6	
7	1001217059	1	Plate, Mounting	

# SECTION 1 - FRAME

## FIGURE 1-10. BATTERY CHARGER INSTALLATION - DELTA-Q (WITHOUT COMMUNICATION PORT) (LOCALLY SUPPLIED PLUG)



ART\_1001235153

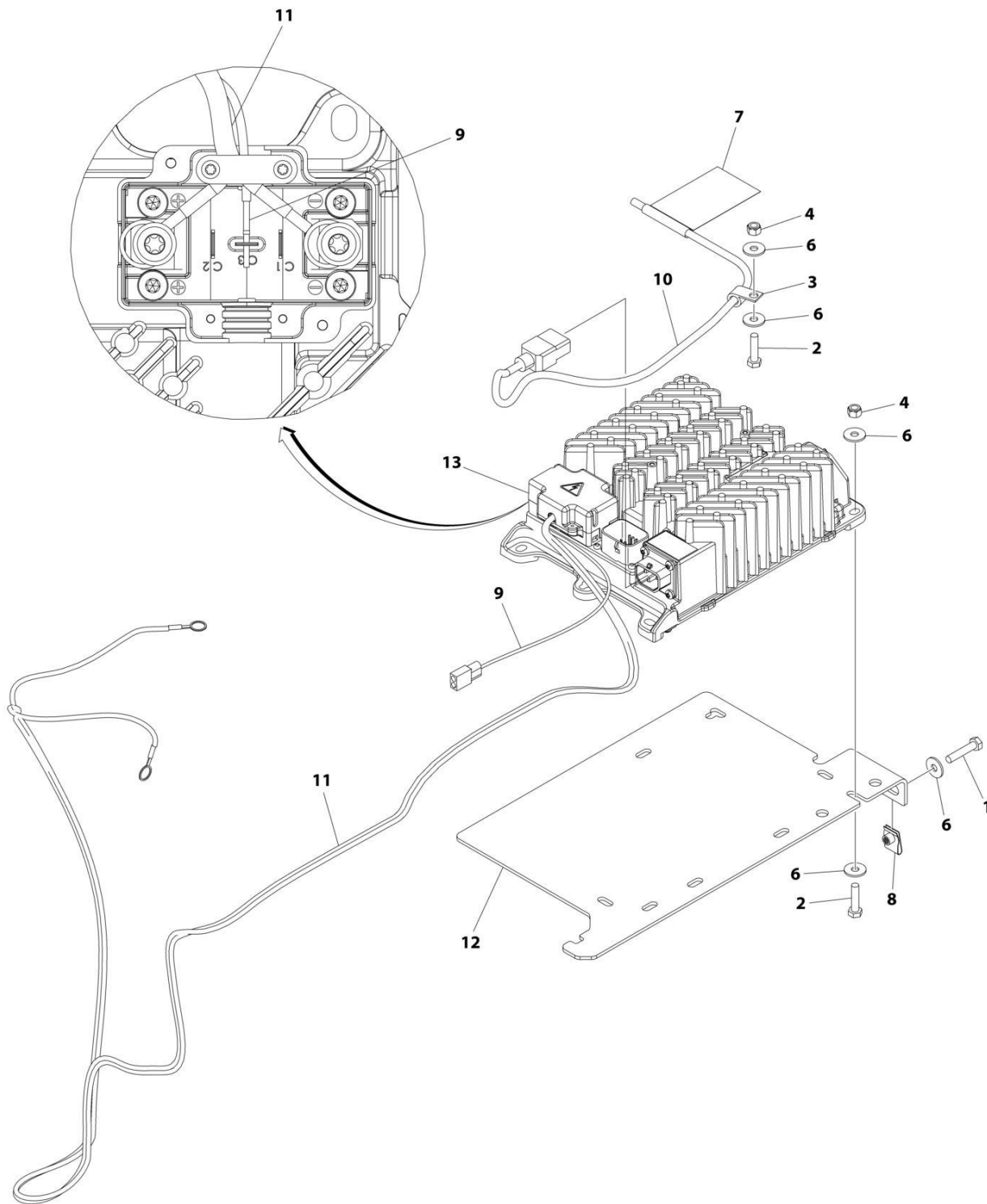
## SECTION 1 - FRAME

**FIGURE 1-10. BATTERY CHARGER INSTALLATION - DELTA-Q (WITHOUT COMMUNICATION PORT)  
(LOCALLY SUPPLIED PLUG)**

ITEM	PART NUMBER	QTY	DESCRIPTION	REV
	1001235153	Ref	BATTERY CHARGER INSTALLATION - DELTA-Q (LOCALLY SUPPLIED PLUG)	C
1	0700614	2	Bolt M6 x 30	
2	0760612	3	Bolt M6 x 25	
3	1321293	1	Clamp	
4	3290605	3	Nut M6	
5	4240017	AR	Tie-Strap (Not Shown)	
6	4811702	8	Washer M6	
7	1001102489	1	Decal - Charger	
8	1001130220	2	Nut, Tinnerman M6	
9	1001200561	1	Charger, Battery - Delta-Q	
10	1001207009	1	Charger Interlock Harness	
10	4460424	1	Receptacle, Female - 2 Position	
10	4460227	2	Pin, Male	
11	1001235105	1	Charger DC Connection Harness	
12	1001236139	1	Bracket	
13	1001207974	1	Cable, Charger AC Input	

# SECTION 1 - FRAME

## FIGURE 1-11. BATTERY CHARGER INSTALLATION - DELTA-Q (WITH COMMUNICATION PORT) (LOCALLY SUPPLIED PLUG)



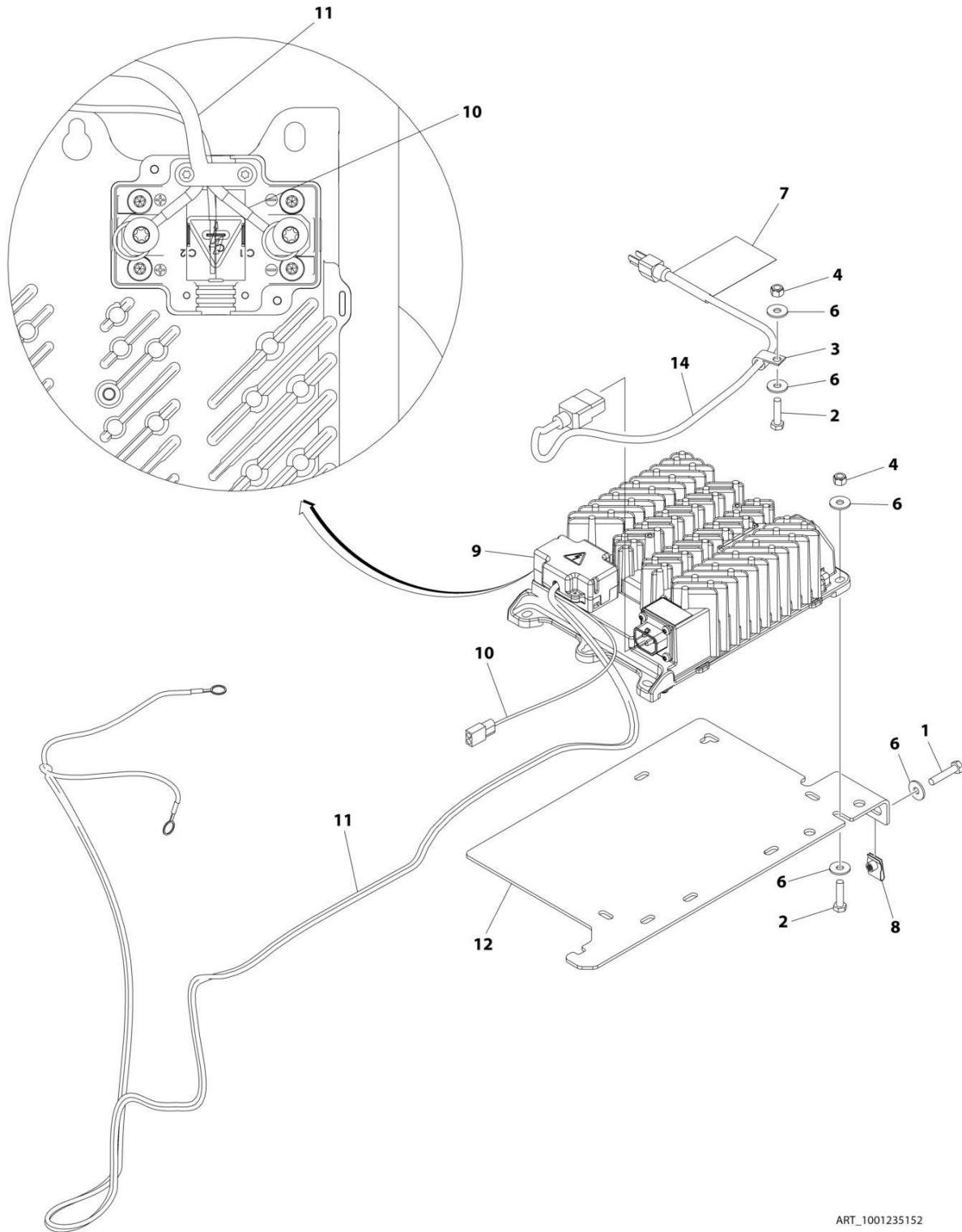
## SECTION 1 - FRAME

**FIGURE 1-11. BATTERY CHARGER INSTALLATION - DELTA-Q (WITH COMMUNICATION PORT)  
(LOCALLY SUPPLIED PLUG)**

ITEM	PART NUMBER	QTY	DESCRIPTION	REV
	1001253654	Ref	BATTERY CHARGER INSTALLATION - DELTA-Q (LOCALLY SUPPLIED PLUG)	A
1	0700614	2	Bolt M6 x 30	
2	0760612	3	Bolt M6 x 25	
3	1321293	1	Clamp	
4	3290605	3	Nut M6	
5	4240017	AR	Tie-Strap (Not Shown)	
6	4811702	8	Washer M6	
7	1001102489	1	Decal - Charger Label	
8	1001130220	2	Nut, Tinnerman M6	
9	1001207009	1	Charger Interlock Harness	
9	4460424	1	Receptacle, Female - 2 Position	
9	4460227	2	Pin, Male	
10	1001207974	1	Battery Charger to AC Connection Cable	
11	1001235105	1	Battery Charger to DC Connection Cable	
12	1001236139	1	Bracket	
13	1001253952	1	Charger, Battery - Delta-Q	
14	1001254027	1	Can Splice Harness (Not Shown - See Separate Breakdown in ELECTRICAL SECTION)	
15	1001254028	1	Charger To Battery Harness (Not Shown - See Separate Breakdown in ELECTRICAL SECTION)	

# SECTION 1 - FRAME

## FIGURE 1-12. BATTERY CHARGER INSTALLATION - DELTA-Q (WITHOUT COMMUNICATION PORT) (110V PLUG) (R1532I)



ART\_1001235152

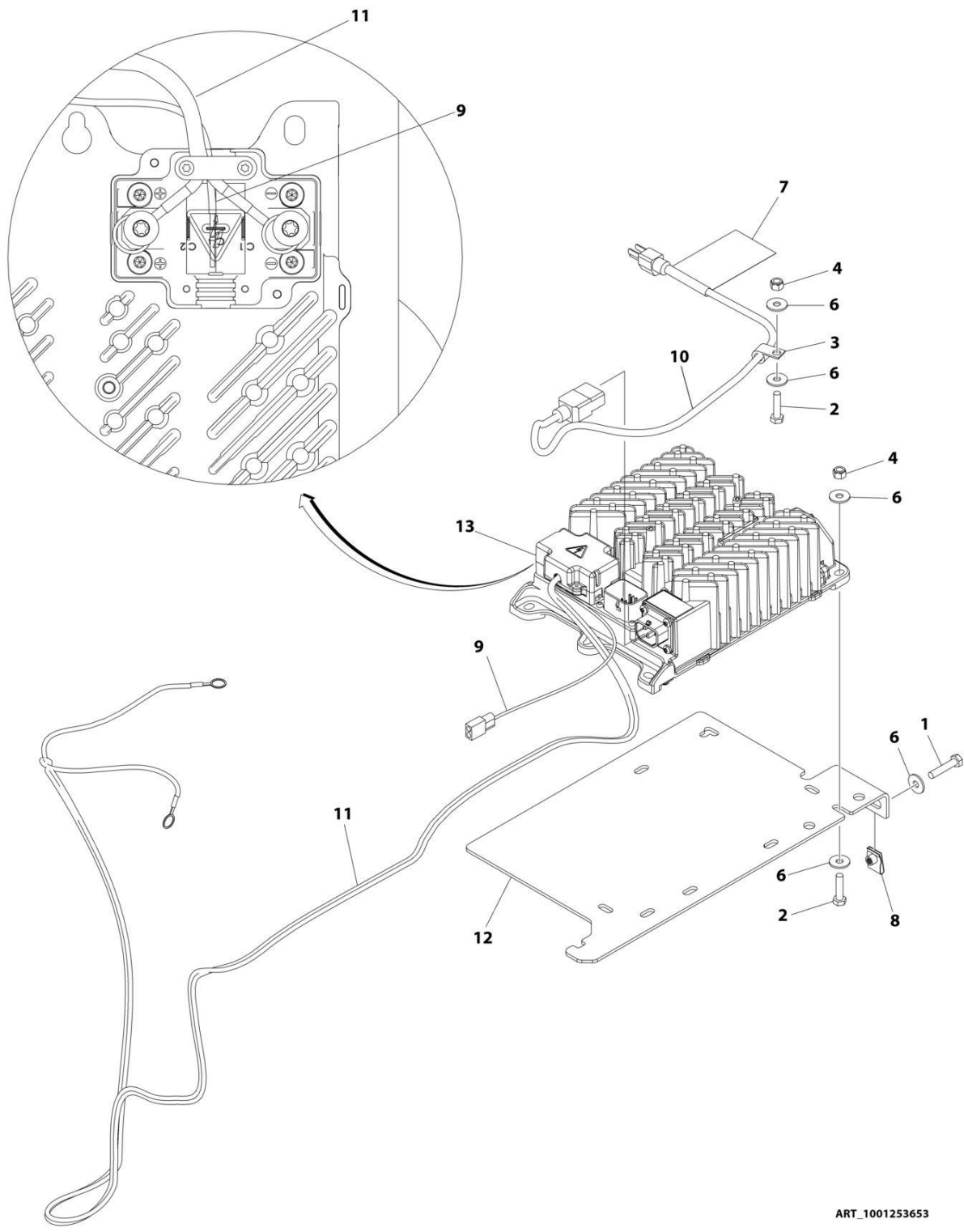
## SECTION 1 - FRAME

**FIGURE 1-12. BATTERY CHARGER INSTALLATION - DELTA-Q (WITHOUT COMMUNICATION PORT)  
(110V PLUG) (R1532I)**

ITEM	PART NUMBER	QTY	DESCRIPTION	REV
	1001235152	Ref	BATTERY CHARGER INSTALLATION - DELTA-Q (110V PLUG)	B
1	0700614	2	Bolt M6 x 30	
2	0760612	3	Bolt M6 x 25	
3	1321293	1	Clamp	
4	3290605	3	Nut M6	
5	4240017	AR	Tie-Strap (Not Shown)	
6	4811702	8	Washer M6	
7	1001102489	1	Decal - Charger	
8	1001130220	2	Nut Tinnerman, M6	
9	1001200561	1	Charger, Battery - Delta-Q	
10	1001207009	1	Charger Interlock Harness	
10	4460424	1	Receptacle, Female - 2 Position	
10	4460227	2	Pin, Male	
11	1001235105	1	Charger DC Connection Harness	
12	1001236139	1	Bracket	
14	1001207970	1	Charger AC Input Cable	

# SECTION 1 - FRAME

## FIGURE 1-13. BATTERY CHARGER INSTALLATION - DELTA-Q (WITH COMMUNICATION PORT) (110V PLUG) (R1532I)



ART\_1001253653



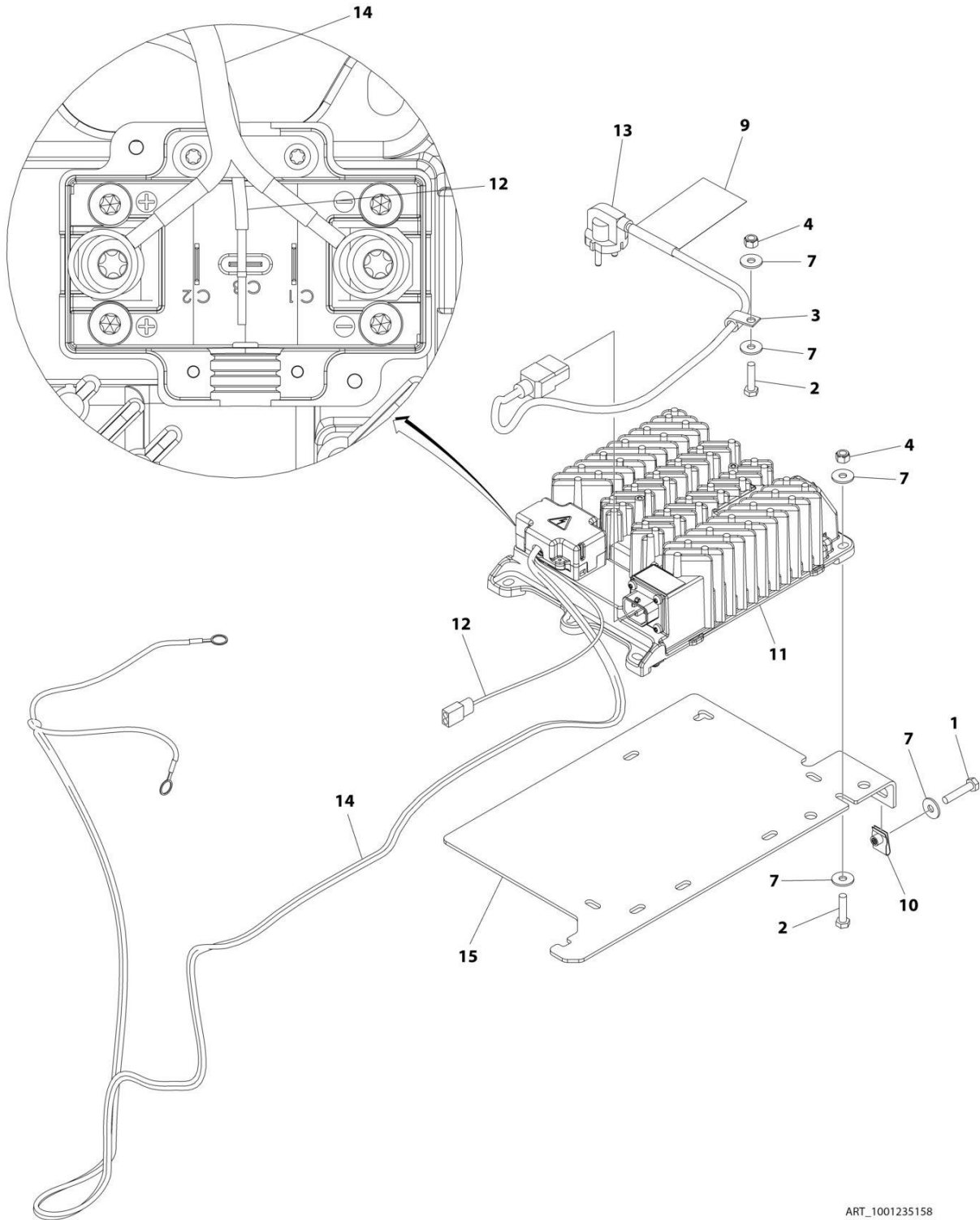
## SECTION 1 - FRAME

**FIGURE 1-13. BATTERY CHARGER INSTALLATION - DELTA-Q (WITH COMMUNICATION PORT)  
(110V PLUG) (R1532I)**

ITEM	PART NUMBER	QTY	DESCRIPTION	REV
	1001253653	Ref	BATTERY CHARGER INSTALLATION - DELTA-Q (110V PLUG)	A
1	0700614	2	Bolt M6 x 30	
2	0760612	3	Bolt M6 x 25	
3	1321293	1	Clamp	
4	3290605	3	Nut M6	
5	4240017	AR	Tie-Strap (Not Shown)	
6	4811702	8	Washer M6	
7	1001102489	1	Decal - Charger Label	
8	1001130220	2	Nut, Tinnerman M6	
9	1001207009	1	Charger Interlock Harness	
9	4460424	1	Receptacle, Female - 2 Position	
9	4460227	2	Pin, Male	
10	1001207970	1	Battery Charger to AC Connection Cable	
11	1001235105	1	Battery Charger to DC Connection Cable	
12	1001236139	1	Bracket	
13	1001253952	1	Charger, Battery - Delta-Q	
14	1001254027	1	Can Splice Harness (Not Shown - See Separate Breakdown in ELECTRICAL SECTION)	
15	1001254028	1	Charger To Battery Harness (Not Shown - See Separate Breakdown in ELECTRICAL SECTION)	

# SECTION 1 - FRAME

## FIGURE 1-14. BATTERY CHARGER INSTALLATION - DELTA-Q (WITHOUT COMMUNICATION PORT) (KOREAN PLUG) (R1532i)



ART\_1001235158

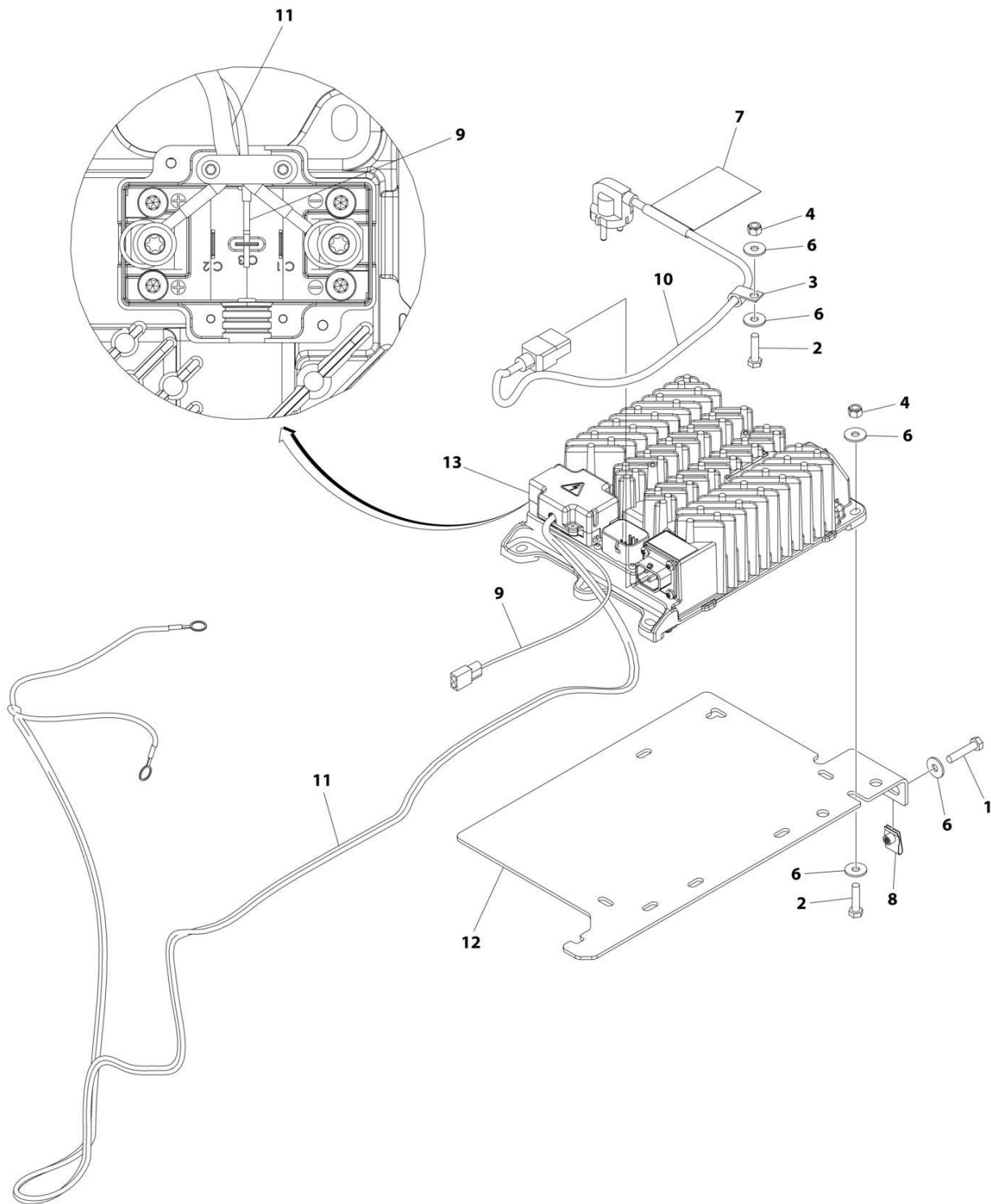
## SECTION 1 - FRAME

**FIGURE 1-14. BATTERY CHARGER INSTALLATION - DELTA-Q (WITHOUT COMMUNICATION PORT)  
(KOREAN PLUG) (R1532I)**

ITEM	PART NUMBER	QTY	DESCRIPTION	REV
	1001235158	Ref	BATTERY CHARGER INSTALLATION - DELTA-Q (KOREAN PLUG)	C
1	0700614	2	Bolt M6 x 30	
2	0760612	3	Bolt M6 x 25	
3	1321293	1	Clamp	
4	3290605	3	Nut M6	
6	4240017	AR	Tie-Strap (Not Shown)	
7	4811702	8	Washer M6	
9	1001102489	1	Decal - Charger	
10	1001130220	2	Nut, Tinnerman M6	
11	1001200561	1	Charger, Battery - Delta-Q	
12	1001207009	1	Charger Interlock Harness	
12	4460424	1	Receptacle, Female - 2 Position	
12	4460227	2	Pin, Male	
13	1001221949	1	Cable, Charger AC Input (With Korean Plug)	
14	1001235105	1	Charger DC Connection Harness	
15	1001236139	1	Bracket	

# SECTION 1 - FRAME

## FIGURE 1-15. BATTERY CHARGER INSTALLATION - DELTA-Q (WITH COMMUNICATION PORT) (KOREAN PLUG) (R1532i)



ART\_1001253655

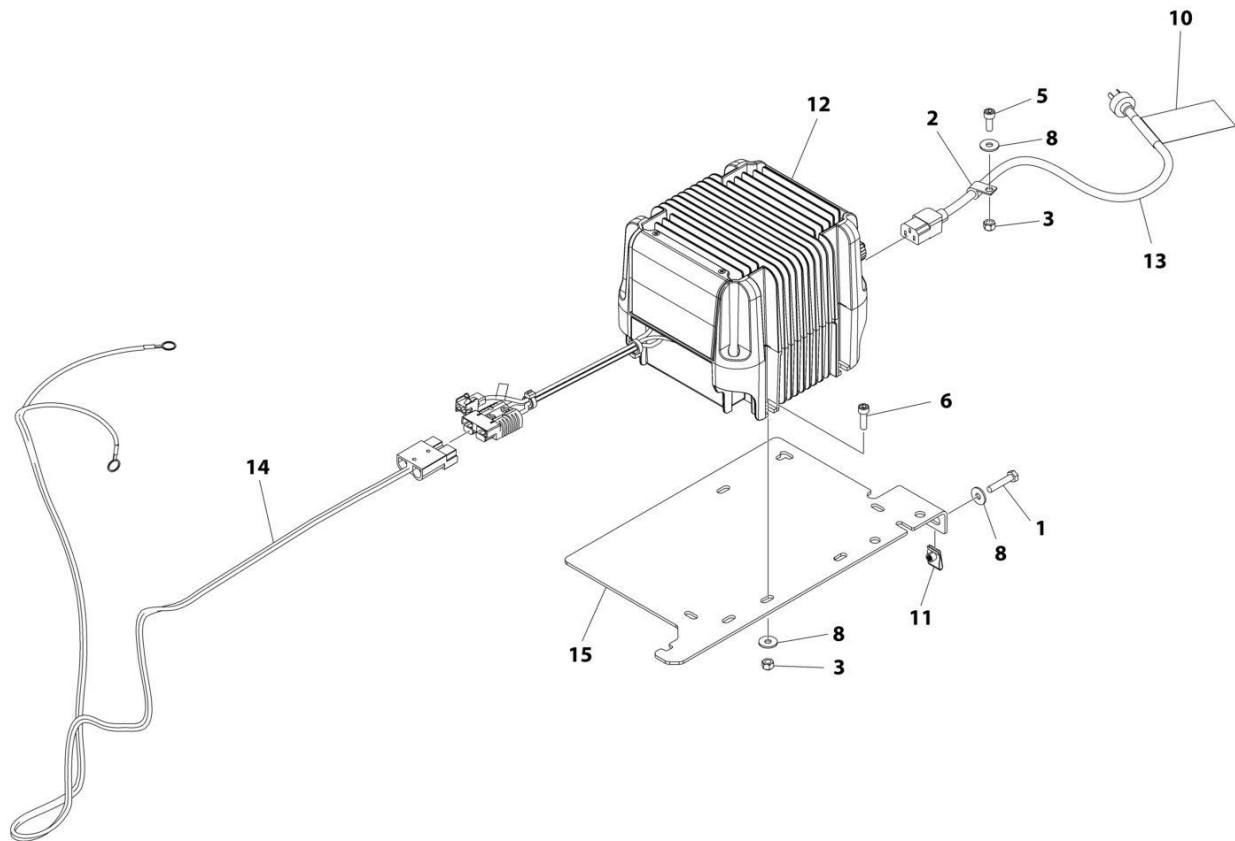
## SECTION 1 - FRAME

**FIGURE 1-15. BATTERY CHARGER INSTALLATION - DELTA-Q (WITH COMMUNICATION PORT)  
(KOREAN PLUG) (R1532I)**

ITEM	PART NUMBER	QTY	DESCRIPTION	REV
	1001253655	Ref	BATTERY CHARGER INSTALLATION - DELTA-Q (KOREAN PLUG)	A
1	0700614	2	Bolt M6 x 30	
2	0760612	3	Bolt M6 x 25	
3	1321293	1	Clamp	
4	3290605	3	Nut M6	
5	4240017	AR	Tie-Strap (Not Shown)	
6	4811702	8	Washer M6	
7	1001102489	1	Decal - Charger Label	
8	1001130220	2	Nut, Tinnerman M6	
9	1001207009	1	Charger Interlock Harness	
9	4460424	1	Receptacle, Female - 2 Position	
9	4460227	2	Pin, Male	
10	1001221949	1	Battery Charger to AC Connection Cable	
11	1001235105	1	Battery Charger to DC Connection Cable	
12	1001236139	1	Bracket	
13	1001253952	1	Charger, Battery - Delta-Q	
14	1001254027	1	Can Splice Harness (Not Shown - See Separate Breakdown in ELECTRICAL SECTION)	
15	1001254028	1	Charger to Battery Harness (Not Shown - See Separate Breakdown in ELECTRICAL SECTION)	

# SECTION 1 - FRAME

FIGURE 1-16. BATTERY CHARGER INSTALLATION - GREEN POWER (CHINA PLUG) (CHINA BUILT MACHINES) (R1532I)



ART\_1001235154

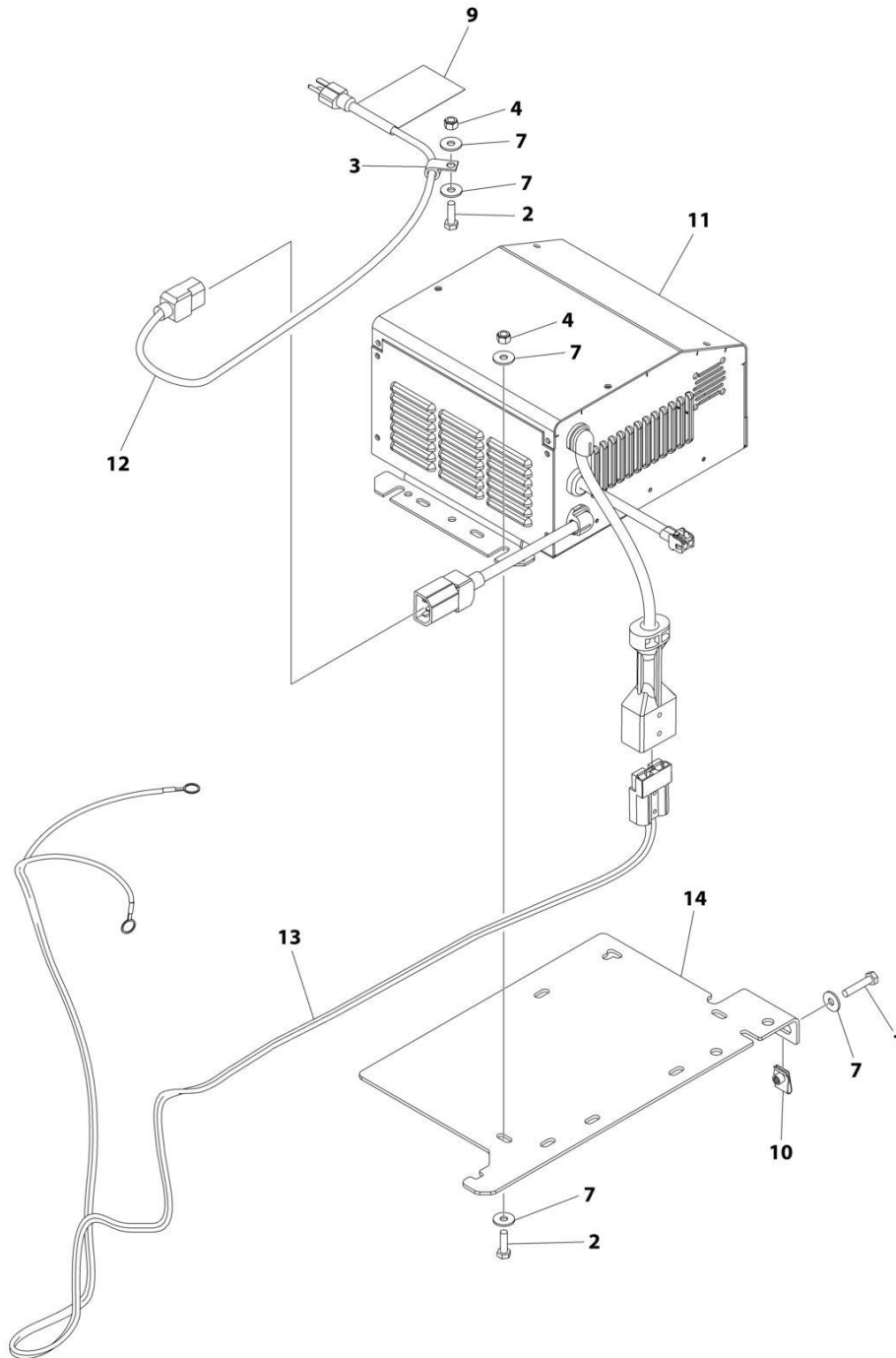
## SECTION 1 - FRAME

**FIGURE 1-16. BATTERY CHARGER INSTALLATION - GREEN POWER (CHINA PLUG) (CHINA BUILT MACHINES) (R1532I)**

ITEM	PART NUMBER	QTY	DESCRIPTION	REV
	1001235154	Ref	BATTERY CHARGER INSTALLATION - GREEN POWER (CHINA PLUG)	C
1	0700614	2	Bolt M6 x 30	
2	1321293	1	Clamp, Cable	
3	3290605	4	Nut, M6	
5	4031707	1	Capscrew M6 x 16	
6	4031708	3	Capscrew M6 x 20	
7	4240017	AR	Tie-Strap (Not Shown)	
8	4811702	6	Washer M6	
10	1001102489	1	Decal - Charger	
11	1001130220	2	Nut, Tinnerman M6	
12	1001205598	1	Charger, Battery Green Power	
13	1001207973	1	Cable, Charger AC Input	
14	1001235946	1	Charger DC Connection Harness	
15	1001236139	1	Bracket	

# SECTION 1 - FRAME

## FIGURE 1-17. BATTERY CHARGER INSTALLATION - EAGLE PERFORMANCE (110V PLUG) (MEXICO BUILT MACHINES) (R1532I)



ART\_1001235157



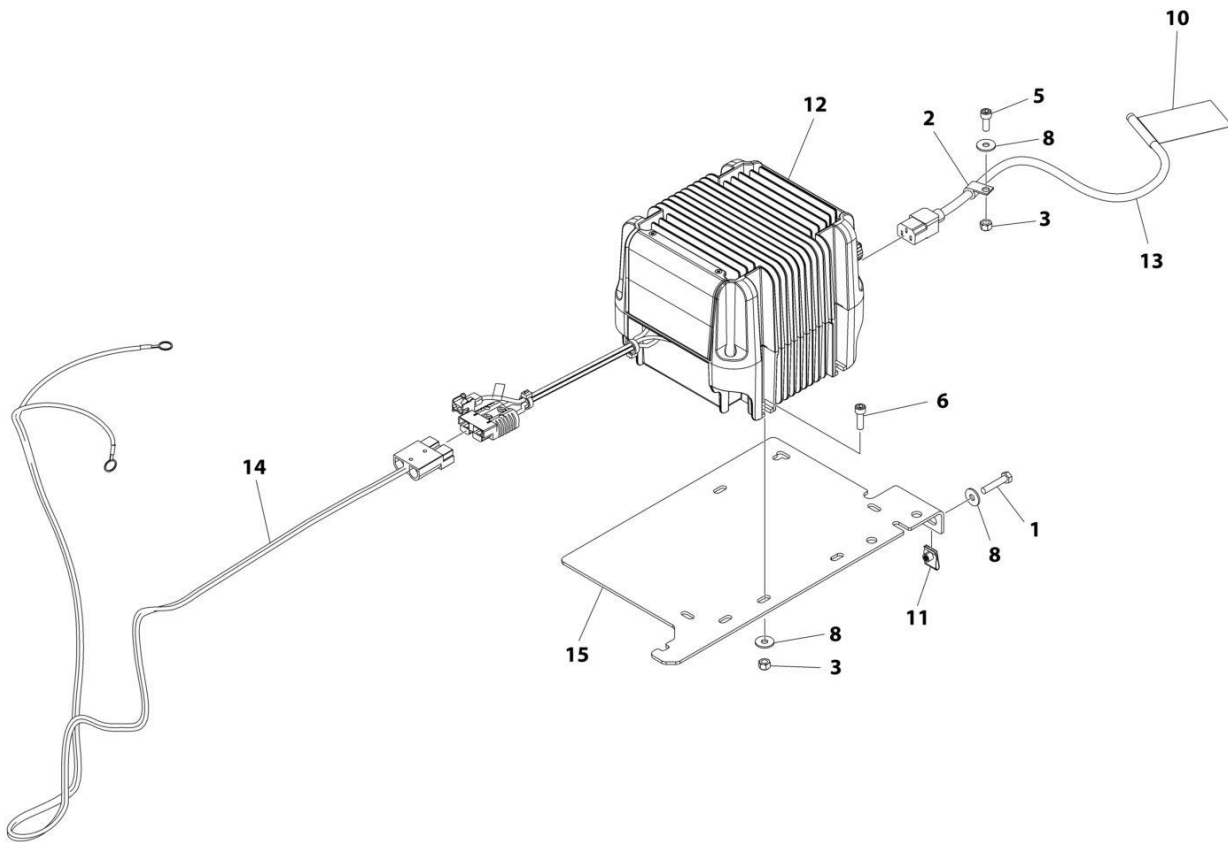
## SECTION 1 - FRAME

**FIGURE 1-17. BATTERY CHARGER INSTALLATION - EAGLE PERFORMANCE (110V PLUG) (MEXICO BUILT MACHINES) (R1532I)**

ITEM	PART NUMBER	QTY	DESCRIPTION	REV
	1001235157	Ref	BATTERY CHARGER INSTALLATION - EAGLE PERFORMANCE (110V PLUG)	C
1	0700614	2	Bolt M6 x 30	
2	0760610	3	Bolt M6 x 20	
3	1321293	1	Clamp	
4	3290605	3	Nut M6	
6	4240017	AR	Tie-Strap (Not Shown)	
7	4811702	8	Washer M6	
9	1001102489	1	Decal - Charger	
10	1001130220	2	Nut, Tinnerman M6	
11	1001206995	1	Charger, Battery - Eagle Performance	
12	1001207970	1	Cable, Charger AC Input	
13	1001235946	1	Charger DC Connection Harness	
14	1001236139	1	Bracket	

# SECTION 1 - FRAME

FIGURE 1-18. BATTERY CHARGER INSTALLATION - GREEN POWER (LOCALLY SUPPLIED PLUG)  
(CHINA BUILT MACHINES) (R1532I)



ART\_1001235156

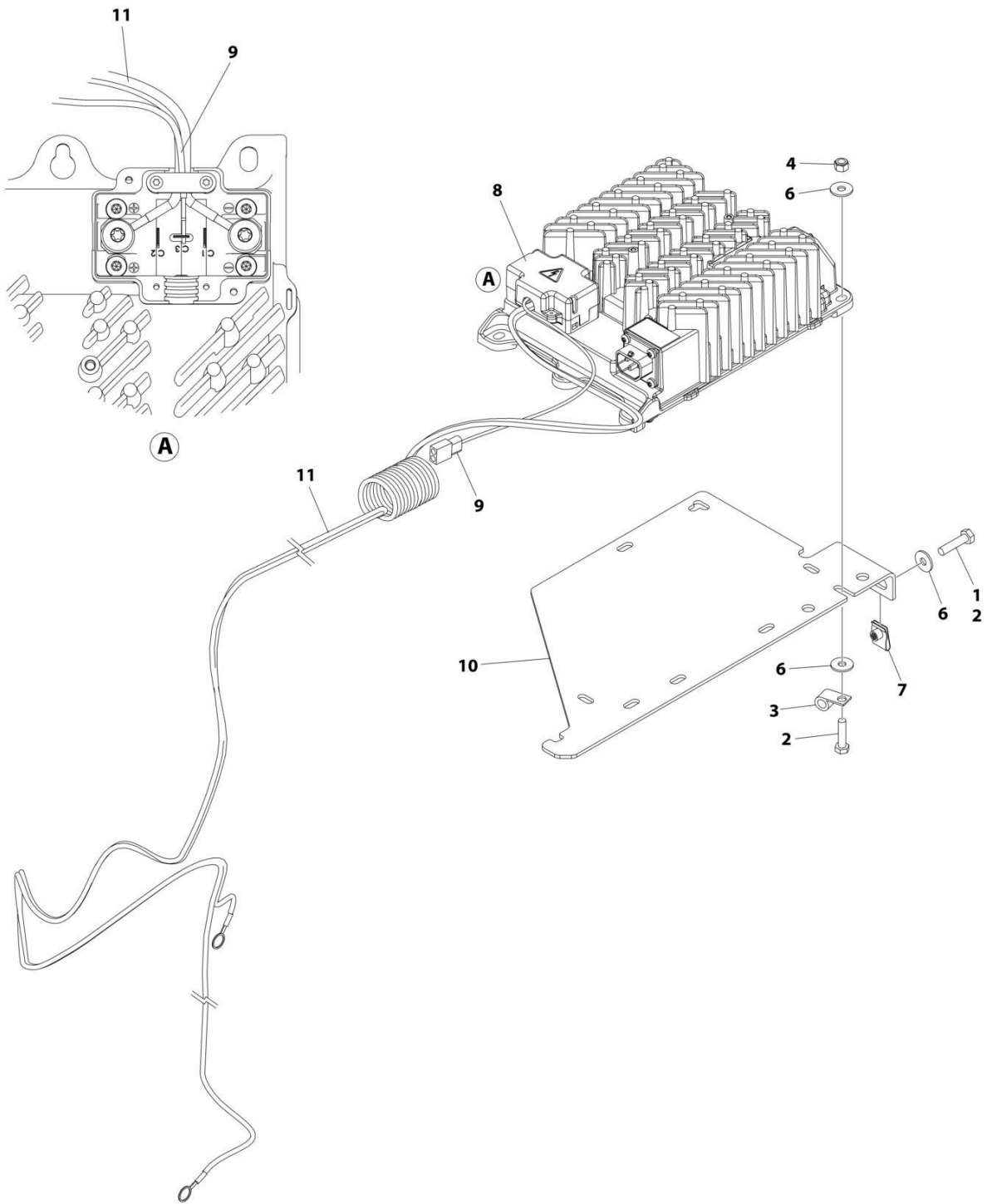
## SECTION 1 - FRAME

**FIGURE 1-18. BATTERY CHARGER INSTALLATION - GREEN POWER (LOCALLY SUPPLIED PLUG)  
(CHINA BUILT MACHINES) (R1532i)**

ITEM	PART NUMBER	QTY	DESCRIPTION	REV
	1001235156	Ref	BATTERY CHARGER INSTALLATION - GREEN POWER (LOCALLY SUPPLIED PLUG)	C
1	0700614	2	Bolt M6 x 30	
2	1321293	1	Clamp, Cable	
3	3290605	4	Nut M6	
5	4031707	1	Capscrew M6 x 16	
6	4031708	3	Capscrew M6 x 20	
7	4240017	AR	Tie-Strap (Not Shown)	
8	4811702	6	Washer M6	
10	1001102489	1	Decal - Charger	
11	1001130220	2	Nut, Tinnerman M6	
12	1001205598	1	Charger, Battery Green Power	
13	1001207974	1	Cable, Charger AC Input	
14	1001235946	1	Charger DC Connection Harness	
15	1001236139	1	Bracket	

# SECTION 1 - FRAME

FIGURE 1-19. BATTERY CHARGER INSTALLATION - DELTA-Q (WITHOUT COMMUNICATION PORT)  
(R1932i/R1932)



ART\_1001263256

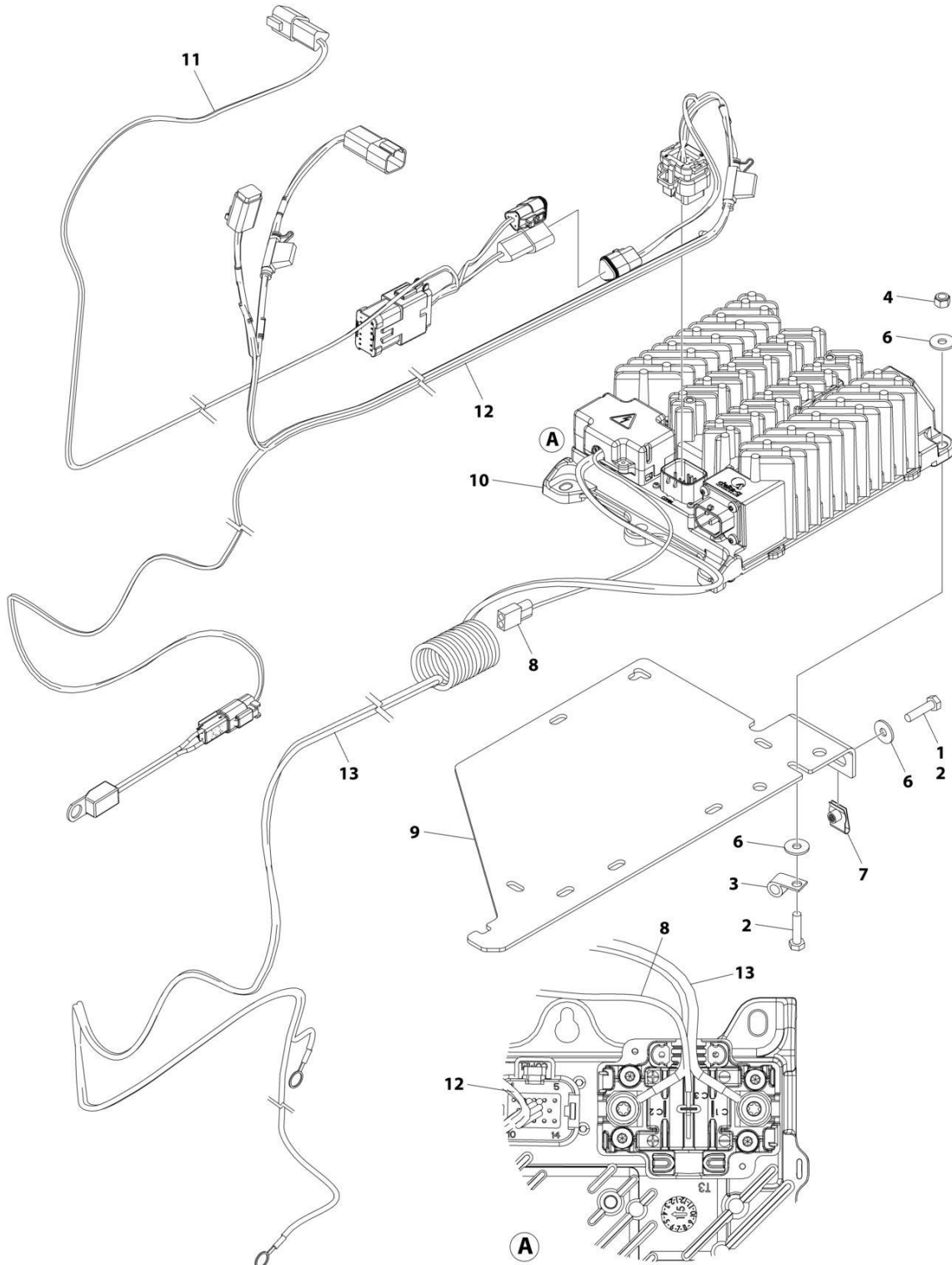
## SECTION 1 - FRAME

**FIGURE 1-19. BATTERY CHARGER INSTALLATION - DELTA-Q (WITHOUT COMMUNICATION PORT)  
(R1932I/R1932)**

ITEM	PART NUMBER	QTY	DESCRIPTION	REV
	1001263256	Ref	BATTERY CHARGER INSTALLATION - DELTA-Q	A
1	0100011	AR	Compound, Locking	
2	0760612	5	Bolt M6 x 25	
3	1321293	1	Clamp	
4	3290605	3	Nut M6	
5	4240017	AR	Tie-Strap (Not Shown)	
6	4811702	8	Washer M6	
7	1001130220	2	Nut, Tinnerman M6	
8	1001200561	1	Charger, Battery - Delta-Q	
9	1001207009	1	Charger Interlock Harness	
9	4460424	1	Receptacle, Female - 2 Position	
9	4460227	2	Pin, Male	
10	1001236139	1	Bracket	
11	1001256642	1	Charger DC Connection Harness	

# SECTION 1 - FRAME

## FIGURE 1-20. BATTERY CHARGER INSTALLATION - DELTA-Q (WITHOUT COMMUNICATION PORT) (R1932i/R1932)



ART\_1001263257

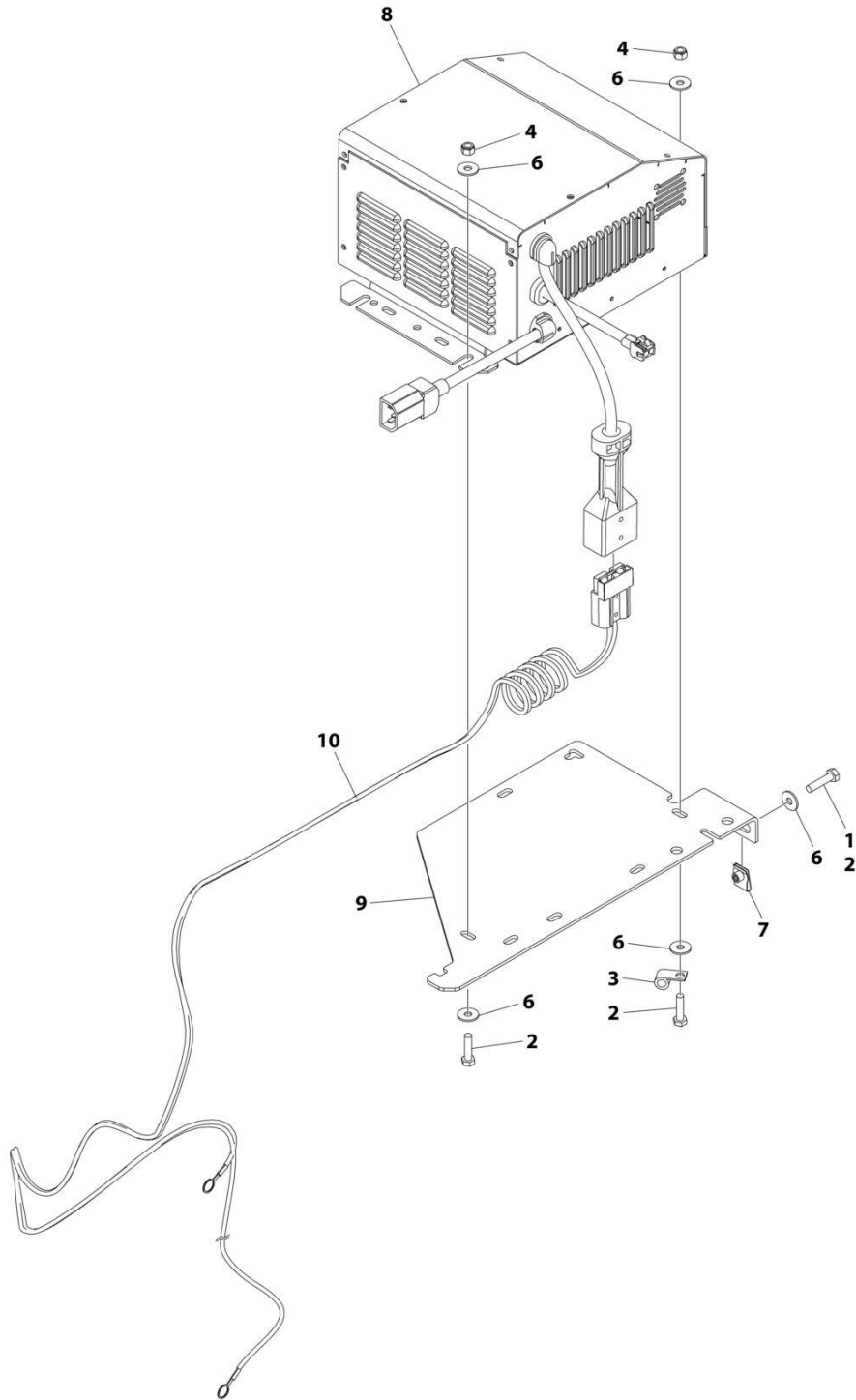
## SECTION 1 - FRAME

**FIGURE 1-20. BATTERY CHARGER INSTALLATION - DELTA-Q (WITHOUT COMMUNICATION PORT)  
(R1932I/R1932)**

ITEM	PART NUMBER	QTY	DESCRIPTION	REV
	1001263257	Ref	BATTERY CHARGER INSTALLATION - DELTA-Q	A
1	0100011	AR	Compound, Locking	
2	0760612	5	Bolt M6 x 25	
3	1321293	1	Clamp	
4	3290605	3	Nut M6	
5	4240017	AR	Tie-Strap (Not Shown)	
6	4811702	8	Washer M6	
7	1001130220	2	Nut, Tinnerman M6	
8	1001207009	1	Charger Interlock Harness	
8	4460424	1	Receptacle, Female - 2 Position	
8	4460227	2	Pin, Male	
9	1001236139	1	Bracket	
10	1001253952	1	Charger, Battery - Delta-Q	
11	1001254027	1	Can Splice Harness (See Separate Breakdown in ELECTRICAL Section)	
12	1001254028	1	Charger To Battery Harness (See Separate Breakdown in ELECTRICAL Section)	
13	1001256642	1	Battery Charger to DC Connection Cable	

# SECTION 1 - FRAME

FIGURE 1-21. BATTERY CHARGER INSTALLATION - EAGLE PERFORMANCE (MEXICO BUILT MACHINES) (R1932I/R1932)



ART\_1001263258



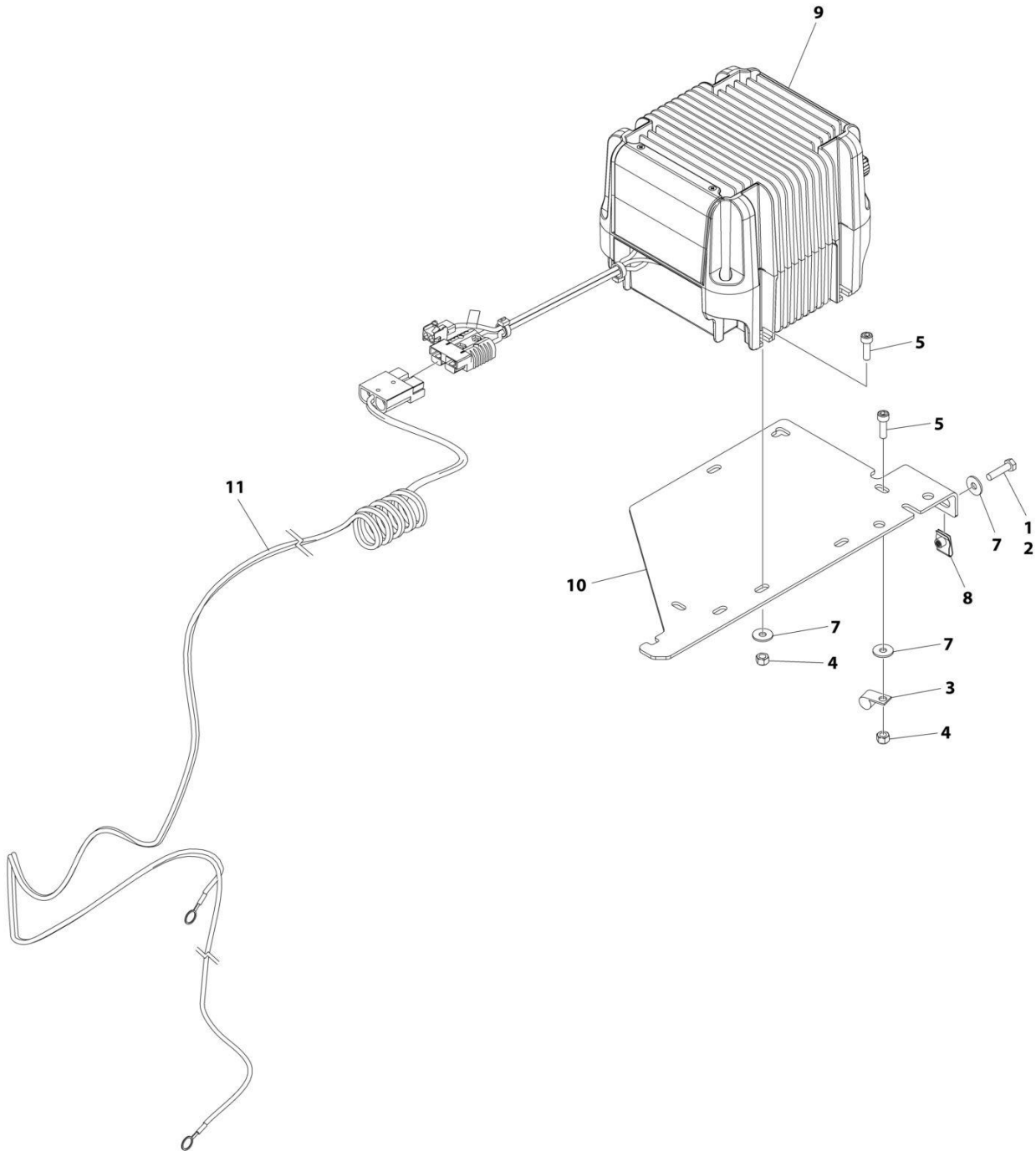
## SECTION 1 - FRAME

**FIGURE 1-21. BATTERY CHARGER INSTALLATION - EAGLE PERFORMANCE (MEXICO BUILT MACHINES) (R1932I/R1932)**

ITEM	PART NUMBER	QTY	DESCRIPTION	REV
	1001263258	Ref	BATTERY CHARGER INSTALLATION - EAGLE PERFORMANCE	A
1	0100011	AR	Compound, Locking	
2	0760612	5	Bolt M6 x 20	
3	1321293	1	Clamp	
4	3290605	3	Nut M6	
5	4240017	AR	Tie-Strap (Not Shown)	
6	4811702	8	Washer M6	
7	1001130220	2	Nut, Tinnerman M6	
8	1001206995	1	Charger, Battery - Eagle Performance	
9	1001236139	1	Bracket	
10	1001256643	1	Charger DC Connection Harness	

# SECTION 1 - FRAME

FIGURE 1-22. BATTERY CHARGER INSTALLATION - GREEN POWER (LOCALLY SUPPLIED PLUG)  
(CHINA BUILT MACHINES) (R1932i/R1932)



ART\_1001263259

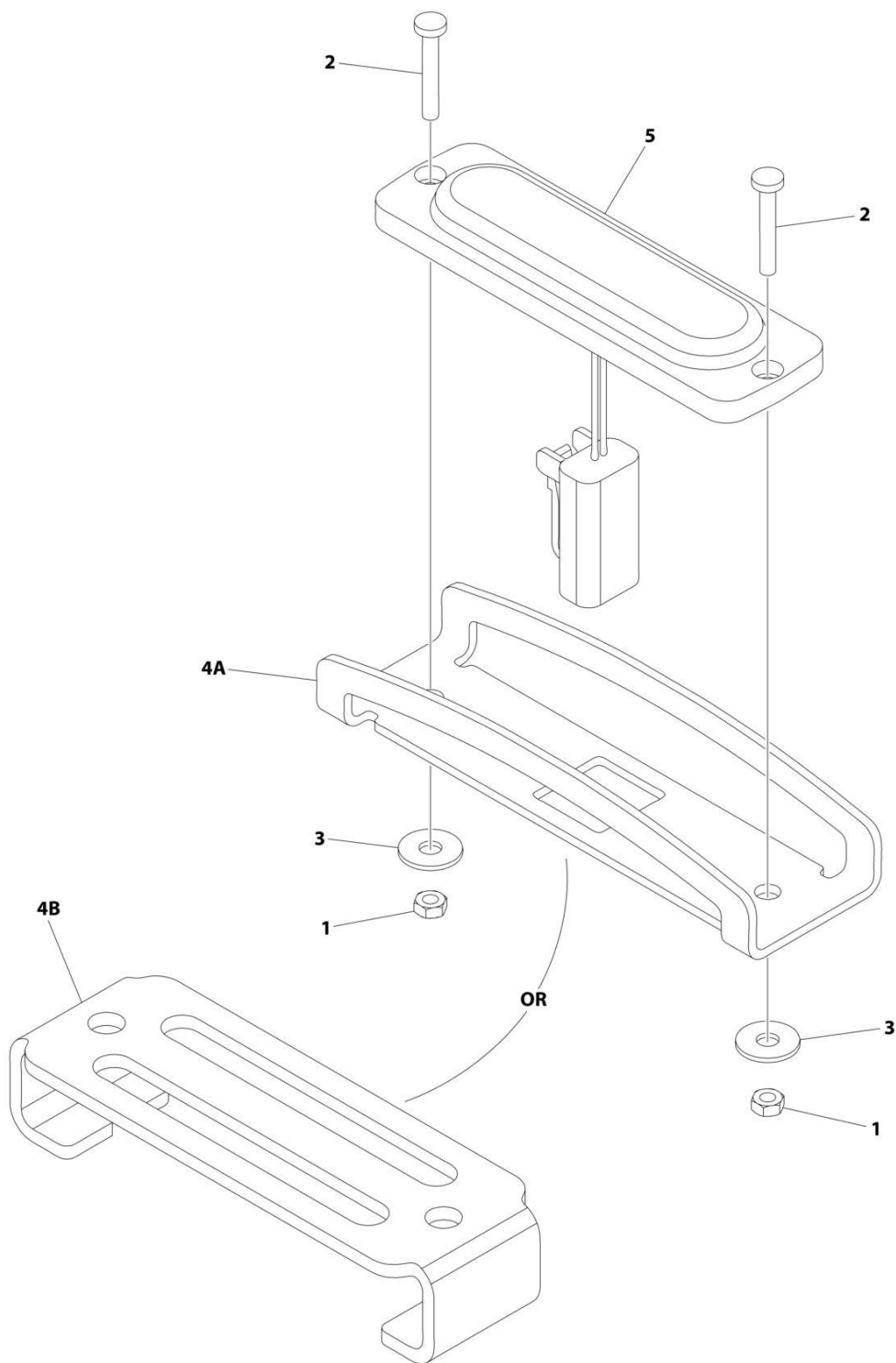
## SECTION 1 - FRAME

**FIGURE 1-22. BATTERY CHARGER INSTALLATION - GREEN POWER (LOCALLY SUPPLIED PLUG)  
(CHINA BUILT MACHINES) (R1932I/R1932)**

ITEM	PART NUMBER	QTY	DESCRIPTION	REV
	1001263259	Ref	BATTERY CHARGER INSTALLATION - GREEN POWER	A
1	0100011	AR	Compound, Locking	
2	0700612	2	Bolt M6 x 25	
3	1321293	1	Clamp, Cable	
4	3290605	4	Nut M6	
5	4031708	4	Capscrew M6 x 20	
6	4240017	AR	Tie-Strap (Not Shown)	
7	4811702	6	Washer M6	
8	1001130220	2	Nut, Tinnerman M6	
9	1001205598	1	Charger, Battery Green Power	
10	1001236139	1	Bracket	
11	1001256643	1	Charger DC Connection Harness	

# SECTION 1 - FRAME

FIGURE 1-23. STROBE LIGHT INSTALLATION - SINGLE SANMAK BRAND (AMBER) (WITH GUARD)



ART\_1001242697

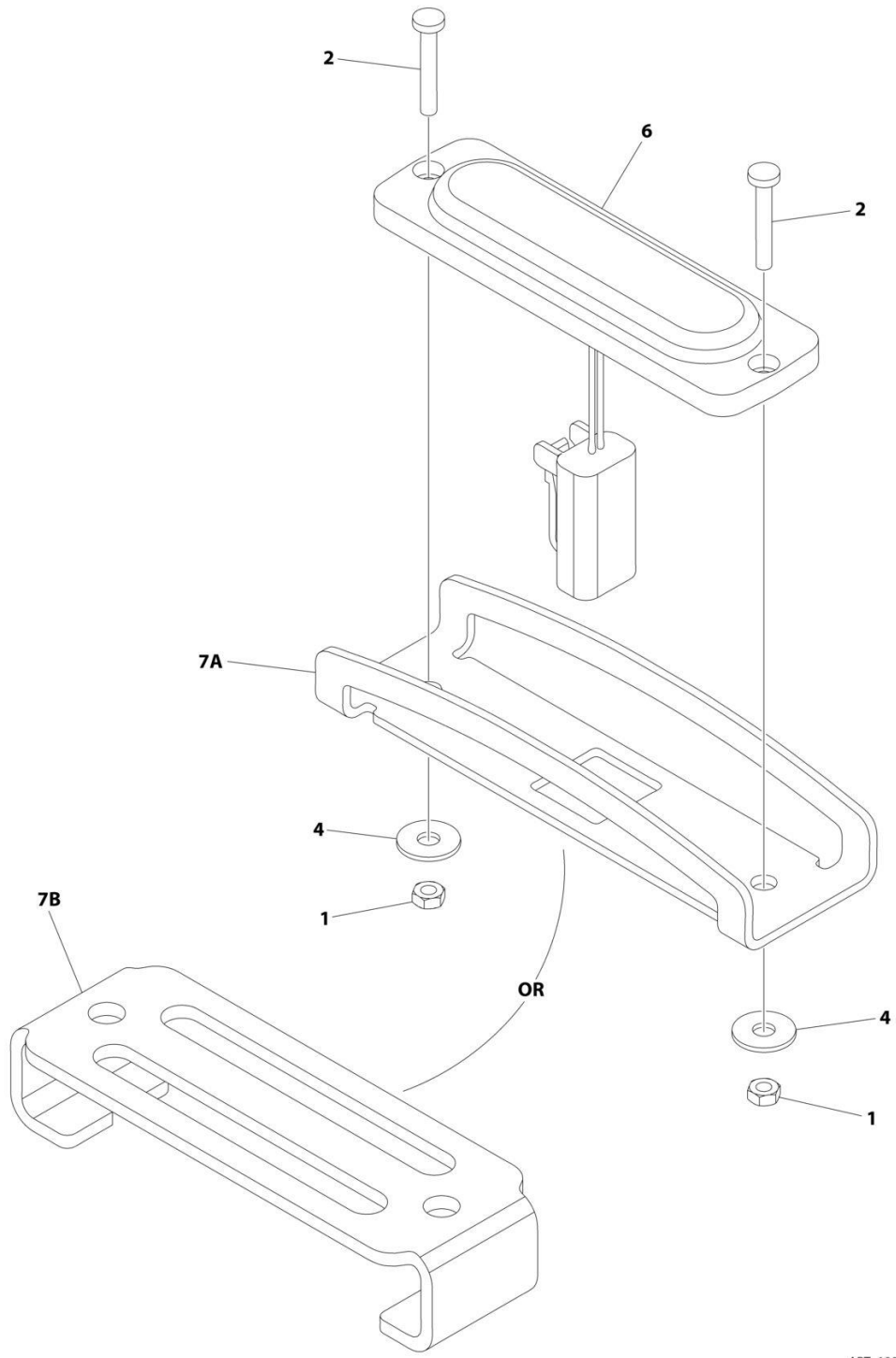
## SECTION 1 - FRAME

**FIGURE 1-23. STROBE LIGHT INSTALLATION - SINGLE SANMAK BRAND (AMBER) (WITH GUARD)**

ITEM	PART NUMBER	QTY	DESCRIPTION	REV
	1001242697	Ref	STROBE LIGHT INSTALLATION - SINGLE (AMBER) (WITH GUARD)	D
1	3290305	2	Nut M3	
2	4010310	2	Screw M3 x 20	
3	1001091102	2	Washer M4	
4A	1001242539	1	Guard	
4B	1001239661	1	Cover	
5	1001239224	1	Light, Strobe	
5	4460891	1	Plug, Male - 2 Position	
5	4460465	2	Socket, Female	

# SECTION 1 - FRAME

FIGURE 1-24. STROBE LIGHT INSTALLATION - DAUL SANMAK BRAND (AMBER) (WITH GUARD)



ART\_1001247862

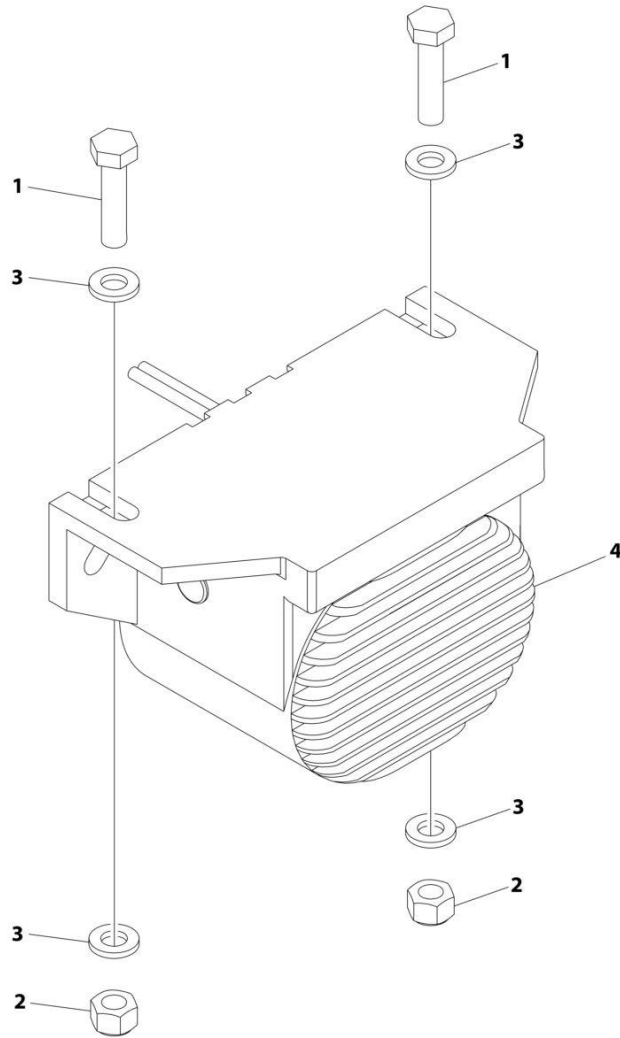
## SECTION 1 - FRAME

**FIGURE 1-24. STROBE LIGHT INSTALLATION - DAUL SANMAK BRAND (AMBER) (WITH GUARD)**

ITEM	PART NUMBER	QTY	DESCRIPTION	REV
	1001247862	Ref	STROBE LIGHT INSTALLATION - DUAL (AMBER) (WITH GUARD)	C
1	3290305	4	Nut M3	
2	4010310	4	Screw M3 x 20	
3	4240018	AR	Tie-Strap (Not Shown)	
4	1001091102	4	Washer M4	
5	1001201707	1	Strobe Light Jumper Harness (Not Shown)	
6	1001239224	2	Light, Strobe	
6	4460891	1	Plug, Male - 2 Position	
6	4460465	2	Socket, Female	
7A	1001242539	2	Guard	
7B	1001239661	2	Cover	

# SECTION 1 - FRAME

FIGURE 1-25. ALARM INSTALLATION (AMBIENT/WHITE NOISE) (OPTIONAL)



ART\_1001204495



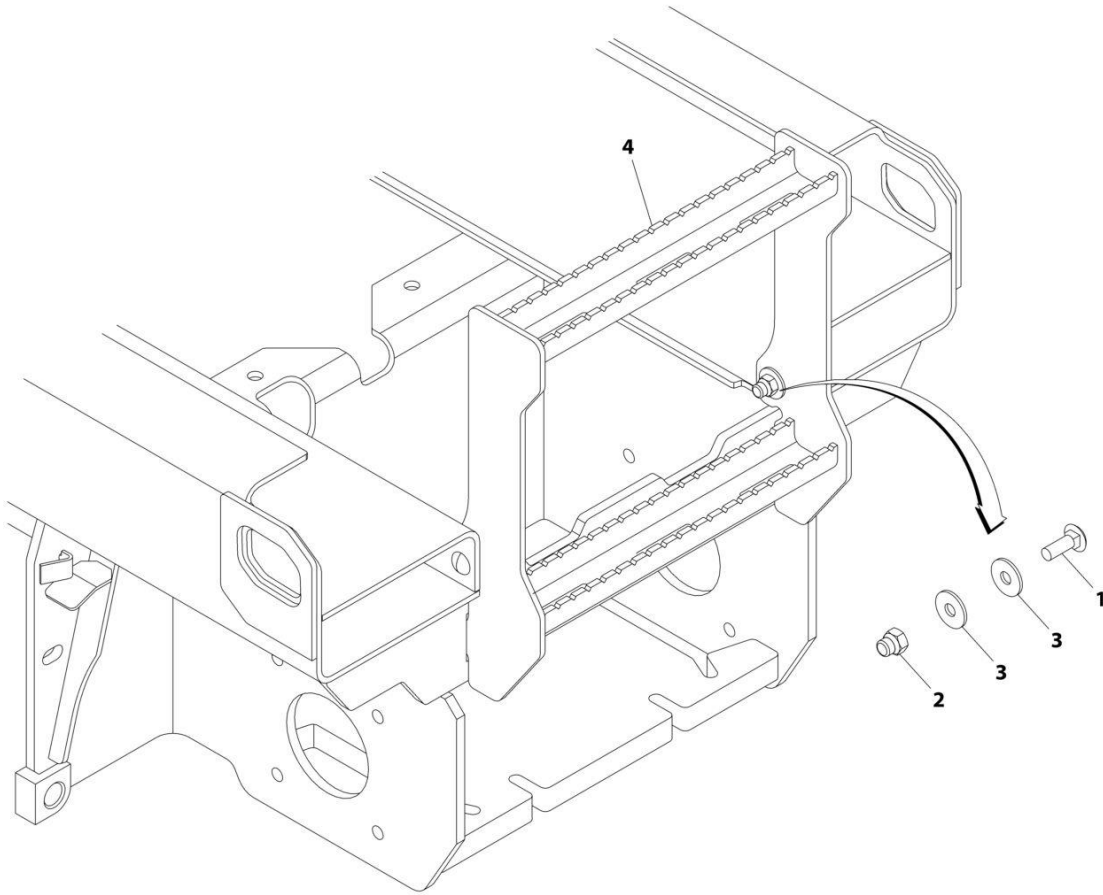
## SECTION 1 - FRAME

### FIGURE 1-25. ALARM INSTALLATION (AMBIENT/WHITE NOISE) (OPTIONAL)

ITEM	PART NUMBER	QTY	DESCRIPTION	REV
	1001204495	Ref	ALARM INSTALLATION (AMBIENT/WHITE NOISE)	B
1	0760612	2	Bolt M6 x 25	
2	3290605	2	Nut M6	
3	4811700	4	Washer M6	
4	1001182806	1	Alarm	
4	4460897	1	Receptacle, Female - 2 Position	
4	4460464	2	Pin, Male	

# SECTION 1 - FRAME

## FIGURE 1-26. LADDER INSTALLATION



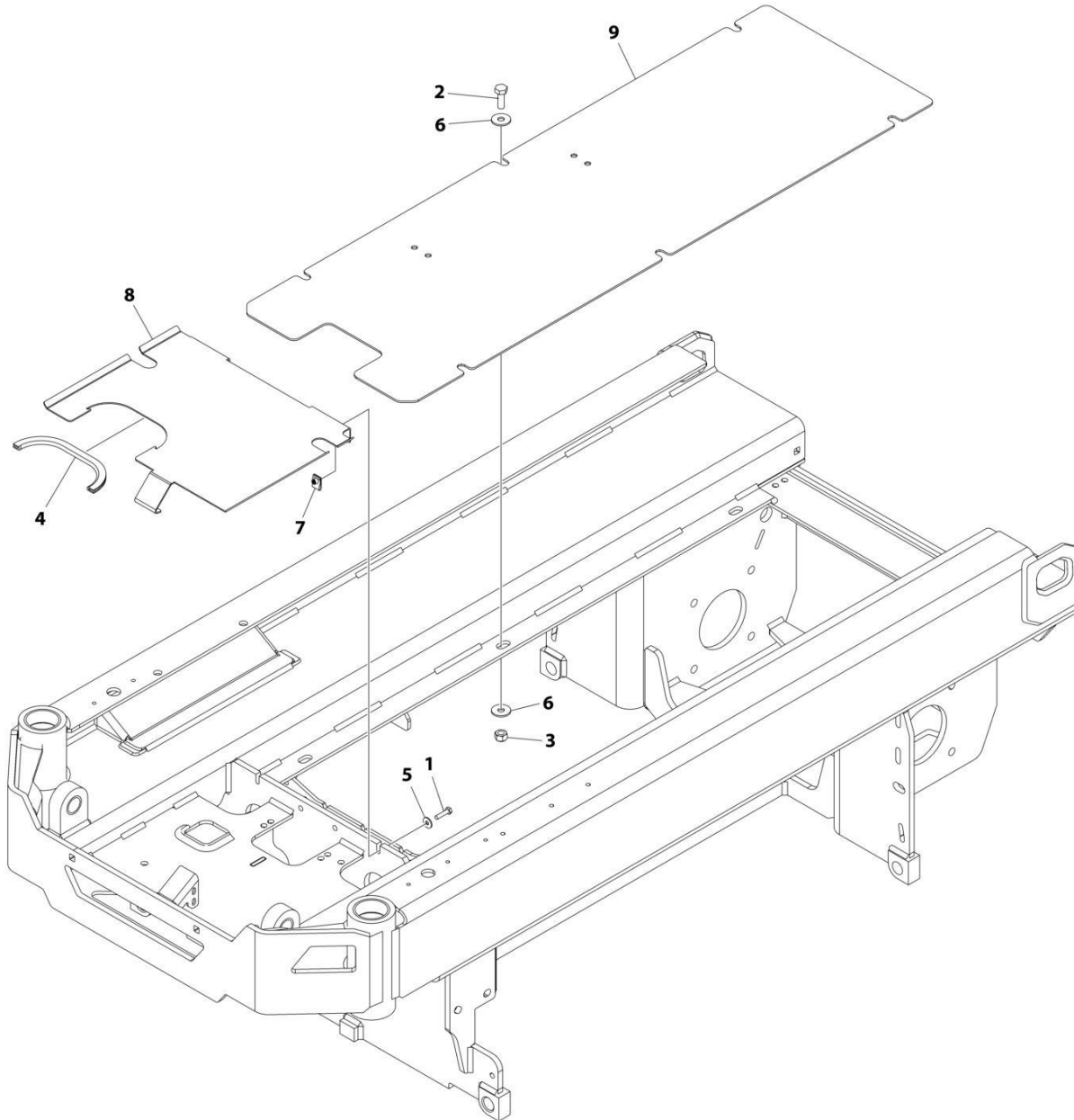
ART\_1001203453

FIGURE 1-26. LADDER INSTALLATION

ITEM	PART NUMBER	QTY	DESCRIPTION	REV
	1001203453	Ref	LADDER INSTALLATION	C
1	0630613	2	Bolt M10 x 30	
2	3291006	2	Nut M10	
3	4812002	AR	Washer M10	
4	1001203457	1	Ladder	

# SECTION 1 - FRAME

FIGURE 1-27. FRAME COVERS INSTALLATION - FRONT AND REAR (R1532I/R1932I)



ART\_1001253359

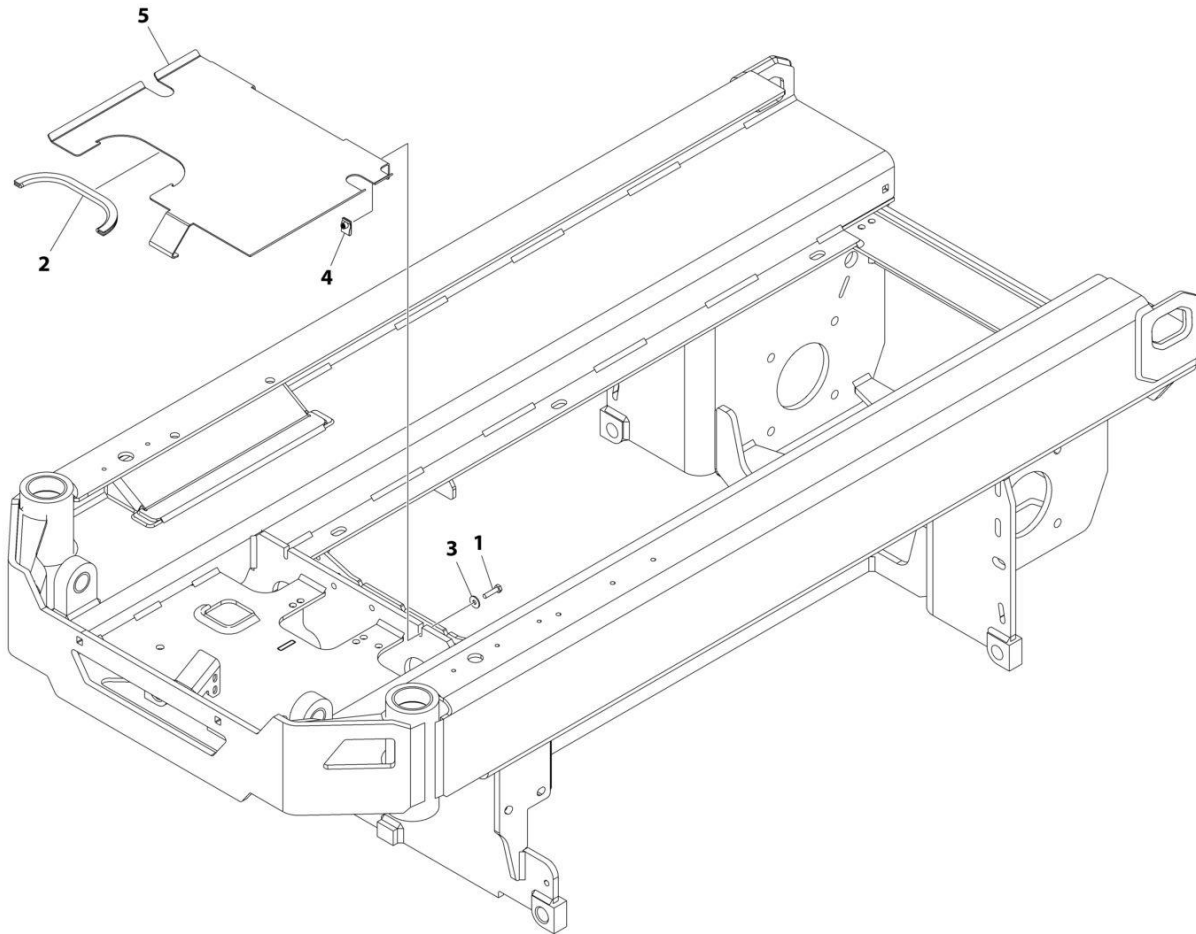
## SECTION 1 - FRAME

**FIGURE 1-27. FRAME COVERS INSTALLATION - FRONT AND REAR (R1532I/R1932I)**

ITEM	PART NUMBER	QTY	DESCRIPTION	REV
	1001253359	Ref	FRAME COVERS INSTALLATION	B
1	0700612	2	Bolt M6 x 25	
2	0701014	6	Bolt M10 x 30	
3	3291005	6	Nut M10	
4	4060803	12.99 in /33cm	Flex-Trim	
5	4811702	2	Washer M6	
6	4812002	12	Washer M10	
7	1001130220	2	Nut, Tinnerman M6	
8	1001227966	1	Cover	
9	1001253039	1	Cover	

# SECTION 1 - FRAME

FIGURE 1-28. FRAME COVERS INSTALLATION - FRONT (R1932)



ART\_1001250431

# SECTION 1 - FRAME

## FIGURE 1-28. FRAME COVERS INSTALLATION - FRONT (R1932)

ITEM	PART NUMBER	QTY	DESCRIPTION	REV
	1001250431	Ref	FRAME COVERS INSTALLATION	A
1	0700612	2	Bolt M6 x 25	
2	4060803	12.99 in /33cm	Flex-Trim	
3	4811702	2	Washer M6	
4	1001130220	2	Nut, Tinnerman M6	
5	1001227966	1	Cover	

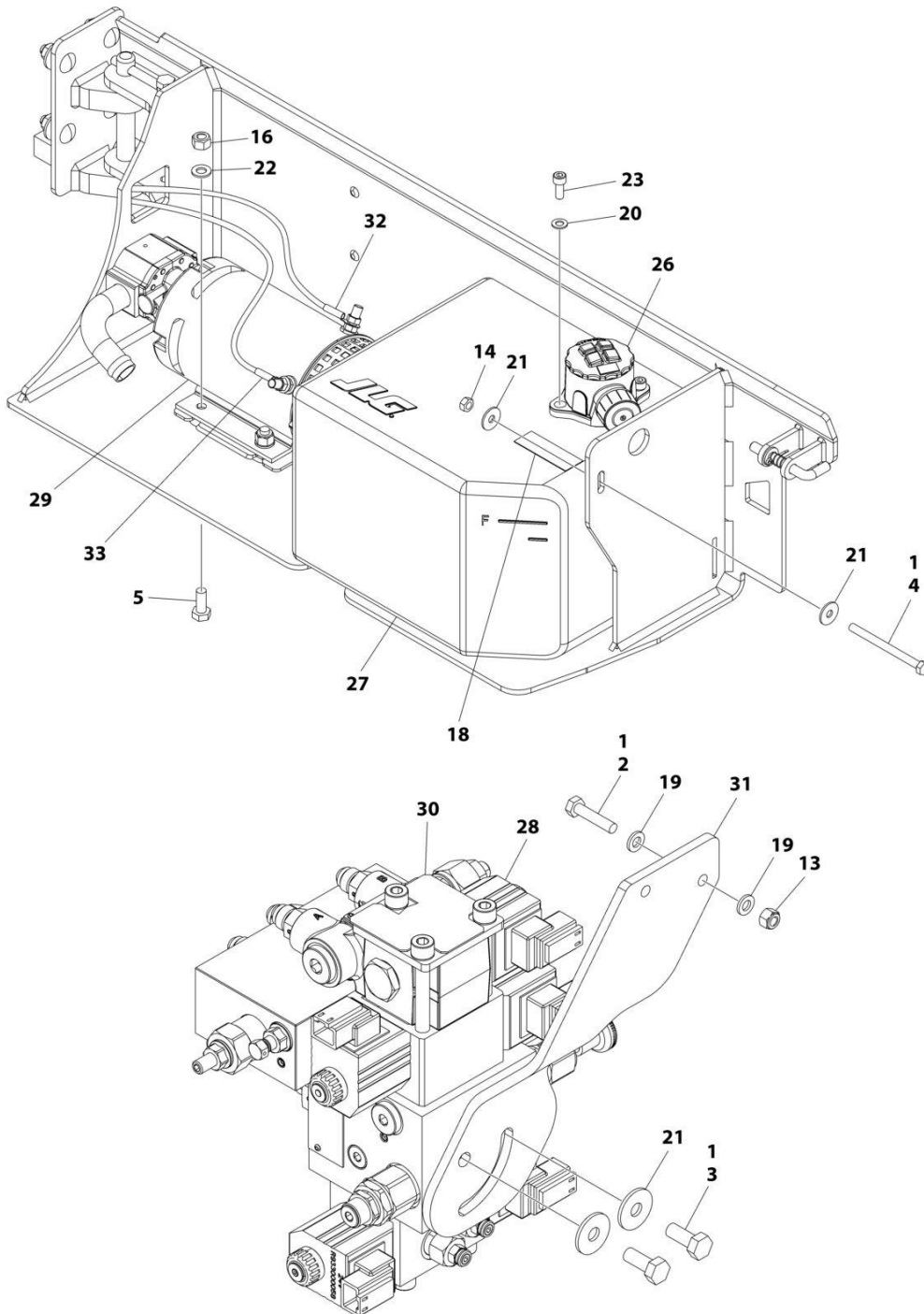




**SECTION 2 - GROUND CONTROLS**

# SECTION 2 - GROUND CONTROLS

## FIGURE 2-1. HYDRAULIC COMPONENTS INSTALLATION



ART\_1001253358\_10F2

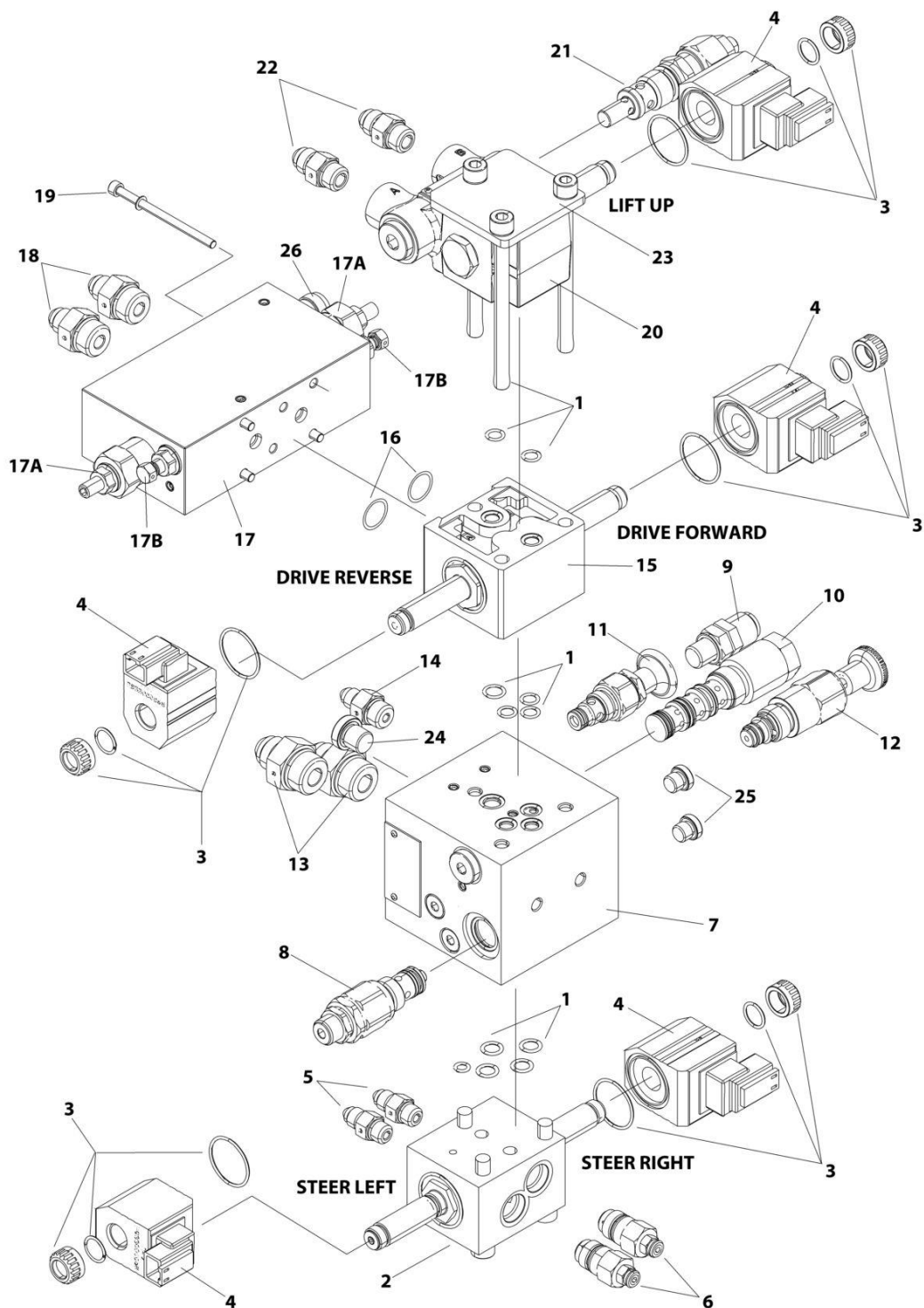
## SECTION 2 - GROUND CONTROLS

**FIGURE 2-1. HYDRAULIC COMPONENTS INSTALLATION**

ITEM	PART NUMBER	QTY	DESCRIPTION	REV
	1001253358	Ref	HYDRAULIC COMPONENTS INSTALLATION	B
1	0100011	AR	Compound, Locking	
2	0760613	2	Bolt M6 x 28	
3	0760810	2	Bolt M8 x 20	
4	0760827	1	Bolt M8 x 100	
5	0761012	2	Bolt M10 x 25	
13	3290605	2	Nut M6	
14	3290801	1	Nut M8	
16	3291005	2	Nut M10	
18	4420062	AR	Tape	
19	4811700	4	Washer M6	
20	4811900	2	Washer M8	
21	4811902	4	Washer M8	
22	4812000	2	Washer M10	
23	5271808	2	Capscrew M8 x 20	
26	1001202851	1	Filter, Hydraulic	
26	70005423	1	Filter Element Kit (Includes Element, Cap O-Ring and Bowl O-Ring)	
27	1001203450	1	Tank, Hydraulic	
28	1001204174	1	Valve Assembly (See Separate Breakdown in this Section)	
29	1001204719	1	Motor/Pump Assembly	
29	70005815	1	Replacement Motor	
29	70005817	1	Replacement Pump	
29	70005816	1	Seal and Mounting Kit (Includes Shaft Seal, Retaining Ring, Gasket and Pump Mounting Hardware)	
30	1001212294	1	Decal - Valve Rotate	
31	1001253038	1	Bracket	
32	1001254173	1	Cable, Pump (-)	
33	1001254174	1	Cable, Pump (+)	

# SECTION 2 - GROUND CONTROLS

## FIGURE 2-2. VALVE ASSEMBLY



ART\_1001204174

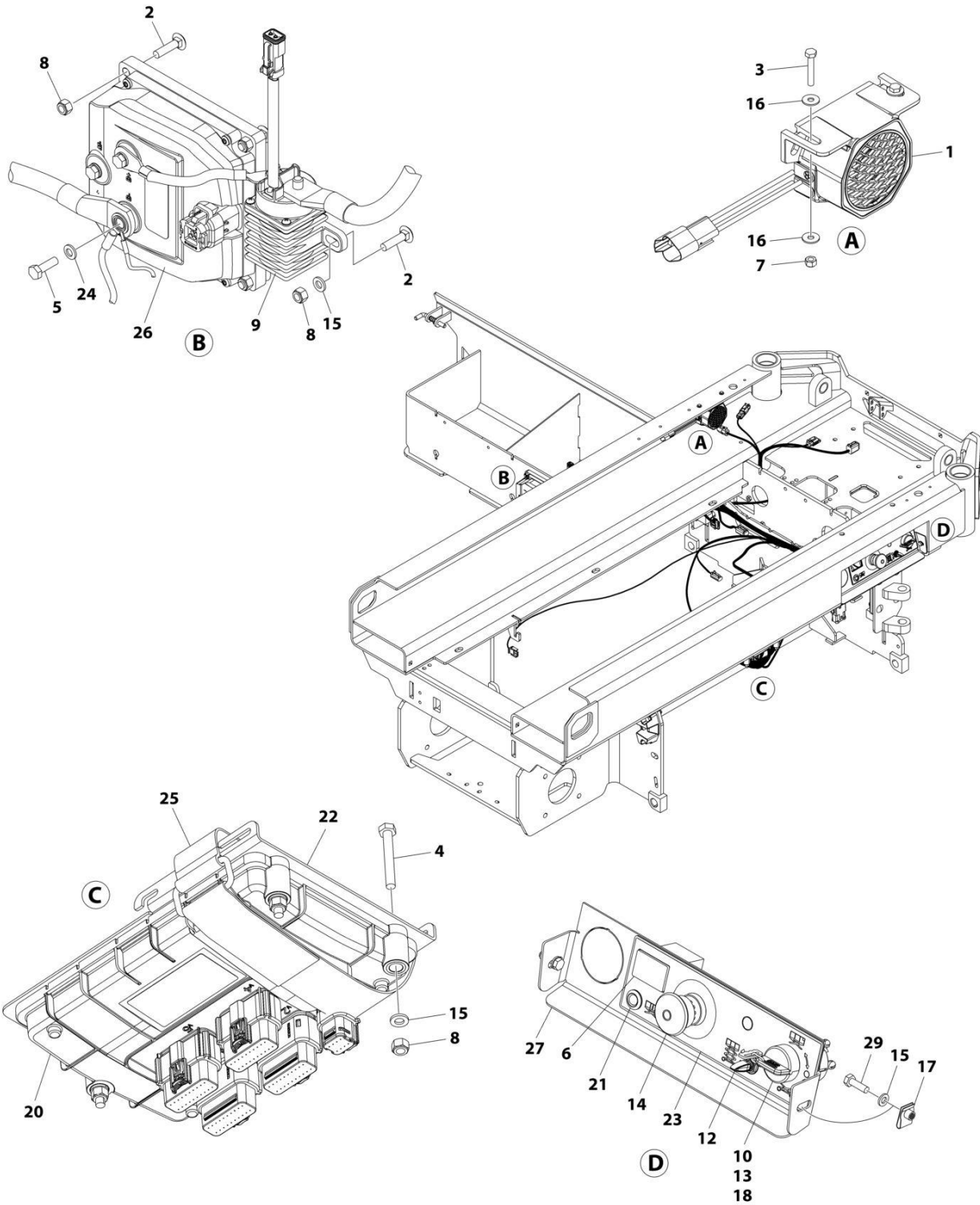
## SECTION 2 - GROUND CONTROLS

### FIGURE 2-2. VALVE ASSEMBLY

ITEM	PART NUMBER	QTY	DESCRIPTION	REV
	1001204174	Ref	VALVE ASSEMBLY	E
1	70005891	1	Assembly Kit (Includes Assembly Hardware and Seals Between Valve Blocks)	
2	70005892	1	Valve Assembly Less Coils (Steer)	
3	70021209	5	Coil Retainer Kit	
4	70005893	5	Coil	
5	2220415	2	Fitting, Straight	
6	70005895	2	Valve, Cartridge (Steer)	
7	See Note	NSS	Block, Valve (Entry Valve) (Note: Use p/n 1001204174)	
8	70005896	1	Valve, Cartridge	
9	2221086	1	Fitting, Hydraulic Test	
10	70005898	1	Valve, Cartridge	
11	70005899	1	Valve, Cartridge	
12	70005900	1	Valve, Cartridge	
13	2220374	2	Fitting, Straight JIC/ORB	
14	2220582	1	Fitting, Straight JIC/ORB	
15	70005903	1	Valve Assembly Less Coils (Lower Drive Valve)	
16	70005904	1	Seal Kit	
17	70005905	1	Valve Assembly (Upper Drive Valve)	
17A	See Note	NSS	Valve, Cartridge (Note: Use p/n 70005905)	
17B	See Note	NSS	Valve, Cartridge (Note: Use p/n 70005905)	
18	2220372	2	Fitting, Straight JIC/ORB	
19	70005907	1	Hardware Kit - Valve Mounting	
20	70005908	1	Valve Assembly Less Coil (Lift)	
21	70005909	1	Valve, Cartridge	
22	2220371	2	Fitting, Straight JIC/ORB	
23	70005911	1	Plate, End	
24	70005912	1	Plug	
25	70005913	2	Plug	
26	70005914	1	Valve, Cartridge	

# SECTION 2 - GROUND CONTROLS

## FIGURE 2-3. ELECTRICAL COMPONENTS INSTALLATION



ART\_1001254444

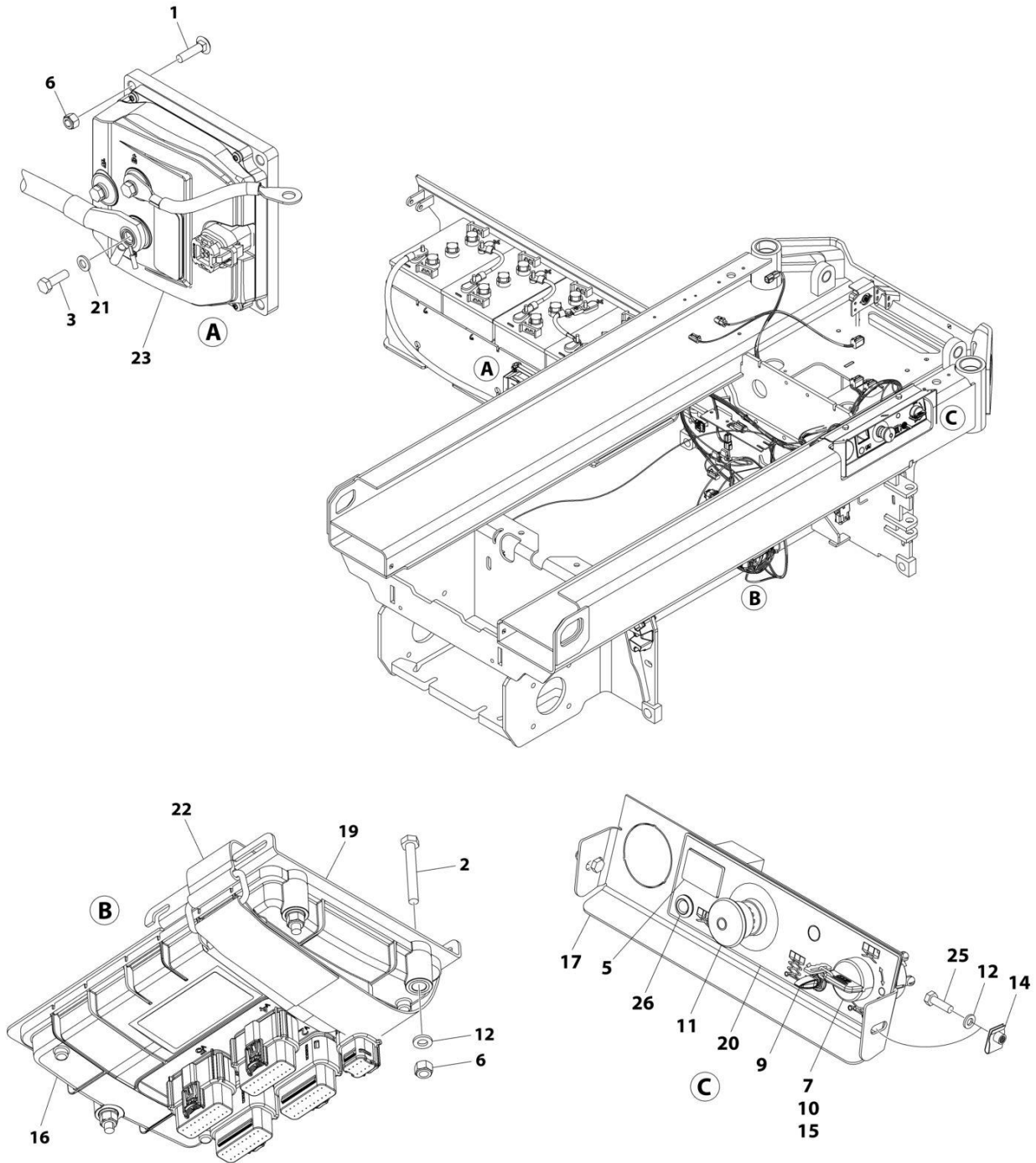
## SECTION 2 - GROUND CONTROLS

### FIGURE 2-3. ELECTRICAL COMPONENTS INSTALLATION

ITEM	PART NUMBER	QTY	DESCRIPTION	REV
	1001254444	Ref	ELECTRICAL COMPONENTS INSTALLATION	B
1	0140043	1	Alarm	
2	0630587	4	Bolt M6 x 25	
3	0700412	2	Bolt M4 x 25	
4	0700617	3	Bolt M6 x 45	
5	0760610	3	Bolt M6 x 20	
6	2420172	1	Hourmeter	
7	3290405	2	Nut M4	
8	3290605	7	Nut M6	
9	3740150	1	Relay	
10	3910804	3	Screw #8 x 1/4	
11	4240017	AR	Tie-Strap (Not Shown)	
12	4360328	1	Switch, Toggle	
13	4360469	1	Switch, Key	
13	2860030	1 Set	Key, Replacement	
14	4360475	1	Switch, Emergency Stop	
14	7020175	1	Cap	
14	7020176	1	Block, Contact	
15	4811700	7	Washer M6	
16	1001091102	4	Washer M4	
17	1001130220	2	Nut, Tinnerman M6	
18	1001130590	1	Plate, Key Switch	
19	1001187781	1	Tie-Strap (Not Shown)	
20	1001200629	1	Module, Control (Note: Re-calibration Required when Replaced)	
21	1001200631	1	Lamp	
22	1001207494	1	Bracket	
23	1001209682	1	Decal - Ground Control	
24	1001210966	3	Washer	
25	1001215762	1	Strap, Cinch	
26	1001216062	1	Module, Power (Note: Re-calibration Required when Replaced)	
27	1001235559	1	Support	
28	1001254114	1	Chassis Harness (Not Shown - See Separate Breakdown in ELECTRICAL SECTION)	
29	0760608	2	Bolt M6 x 16	

# SECTION 2 - GROUND CONTROLS

## FIGURE 2-4. ELECTRICAL COMPONENTS INSTALLATION (EUROPEAN BUILT MACHINES)



ART\_1001253871



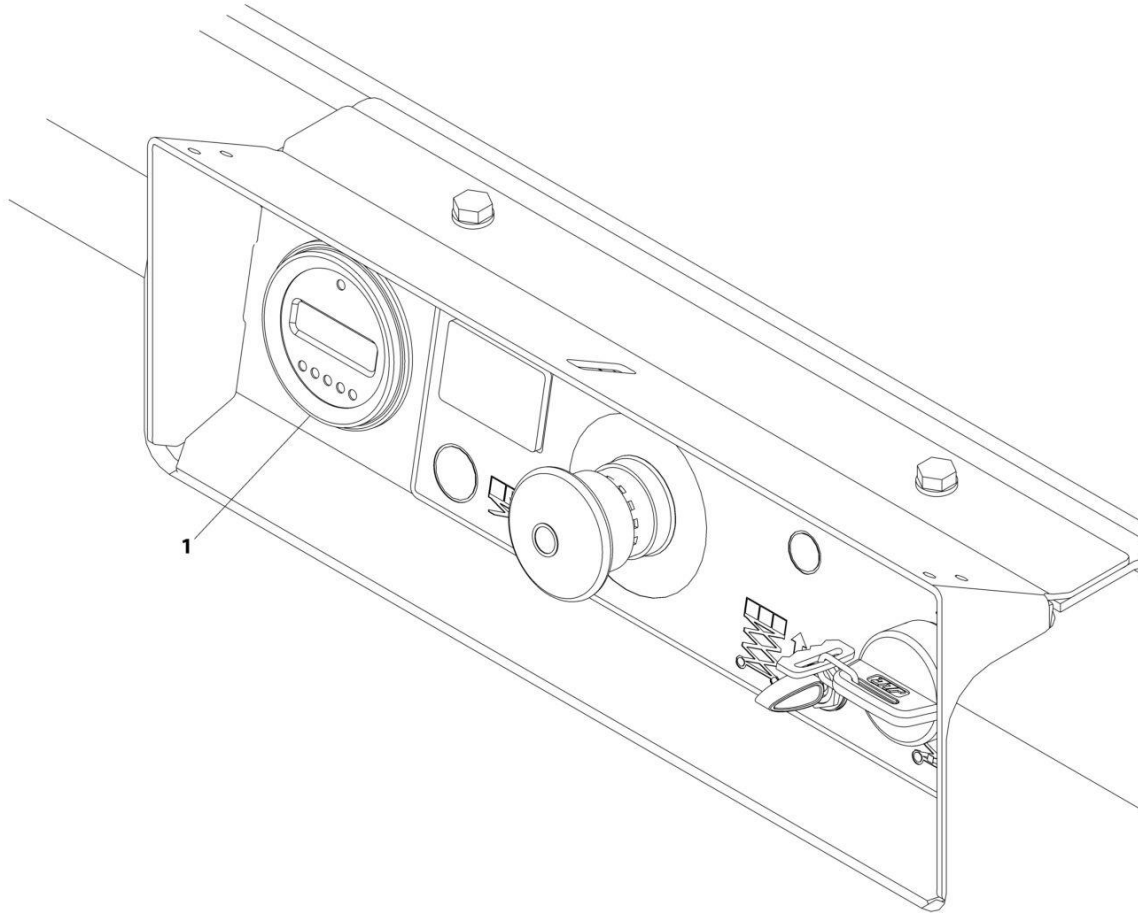
## SECTION 2 - GROUND CONTROLS

**FIGURE 2-4. ELECTRICAL COMPONENTS INSTALLATION (EUROPEAN BUILT MACHINES)**

ITEM	PART NUMBER	QTY	DESCRIPTION	REV
	1001253871	Ref	ELECTRICAL COMPONENTS INSTALLATION	B
1	0630587	4	Bolt M6 x 25	
2	0700617	3	Bolt M6 x 45	
3	0760610	3	Bolt M6 x 20	
5	2420172	1	Hourmeter	
6	3290605	5	Nut M6	
7	3910804	3	Screw #8 x 1/4	
8	4240017	AR	Tie-Strap (Not Shown)	
9	4360328	1	Switch, Toggle	
10	4360469	1	Switch, Key	
10	2860030	1 Set	Key, Replacement	
11	4360475	1	Switch, Emergency Stop	
11	7020175	1	Cap	
11	7020176	1	Block, Contact	
12	4811700	5	Washer M6	
14	1001130220	2	Nut, Tinnerman M6	
15	1001130590	1	Plate, Key Switch	
16	1001200629	1	Module, Control (Note: Re-calibration Required when Replaced)	
17	1001235559	1	Support	
19	1001207494	1	Bracket	
20	1001209682	1	Decal - Ground Control	
21	1001210966	3	Washer	
22	1001215762	1	Strap, Cinch	
23	1001216062	1	Module, Power (Note: Re-calibration Required when Replaced)	
25	0760608	2	Bolt M6 x 16	
26	1001200631	1	Lamp	

# SECTION 2 - GROUND CONTROLS

## FIGURE 2-5. MDI INSTALLATION



ART\_1001207293

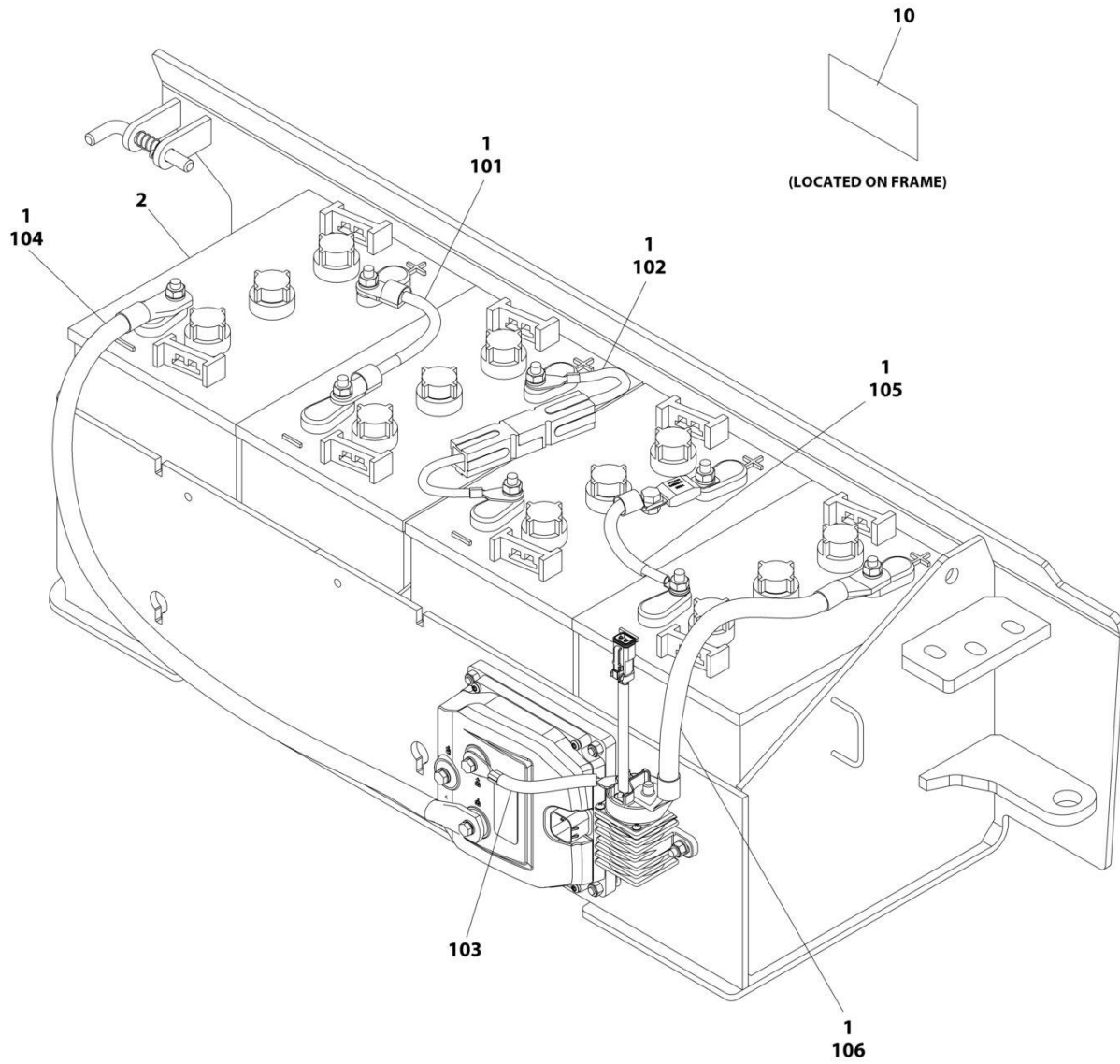
## SECTION 2 - GROUND CONTROLS

FIGURE 2-5. MDI INSTALLATION

ITEM	PART NUMBER	QTY	DESCRIPTION	REV
1	1001207293	Ref	MDI INSTALLATION	B
	1001200632	1	Gauge, MDI	

# SECTION 2 - GROUND CONTROLS

## FIGURE 2-6. BATTERIES INSTALLATION - STANDARD BATTERIES WITH DISCONNECT



ART\_1001208057\_F

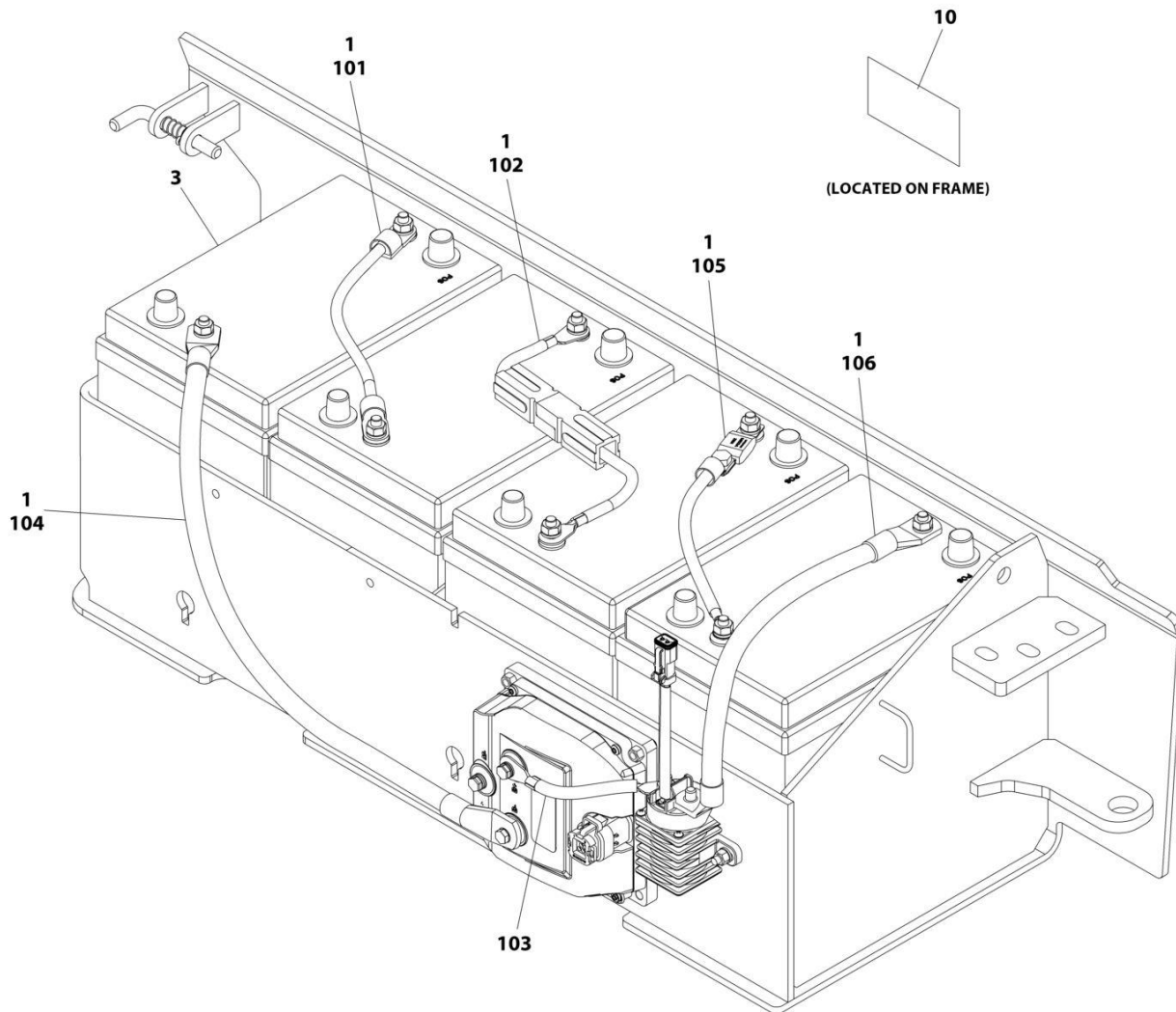
## SECTION 2 - GROUND CONTROLS

**FIGURE 2-6. BATTERIES INSTALLATION - STANDARD BATTERIES WITH DISCONNECT**

ITEM	PART NUMBER	QTY	DESCRIPTION	REV
	1001208057	Ref	BATTERIES INSTALLATION - STANDARD BATTERIES WITH DISCONNECT	F
1	0100051	AR	Grease, Terminal	
2	1001216180	4	Battery	
9	4240017	AR	Tie-Strap (Not Shown)	
10	1702155	1	Decal - Battery Disconnect	
100	1001228123	1	Battery Cable Kit (Not Shown)	A
101	1060998	2	Cable, Positive to Negative	
102	4923328	1	Cable, Positive to Negative	
103	1001201708	1	Cable, Contactor to Pump Control B+	
104	1001201711	1	Cable, Battery Negative to Pump Control B-	
105	1001210401	1	Cable, Battery Fuse	
106	1001229110	1	Cable, Battery Positive to Contactor	

## SECTION 2 - GROUND CONTROLS

FIGURE 2-7. BATTERIES INSTALLATION - AGM BATTERIES WITH DISCONNECT (MEXICO BUILT MACHINES)



ART\_1001208058\_F

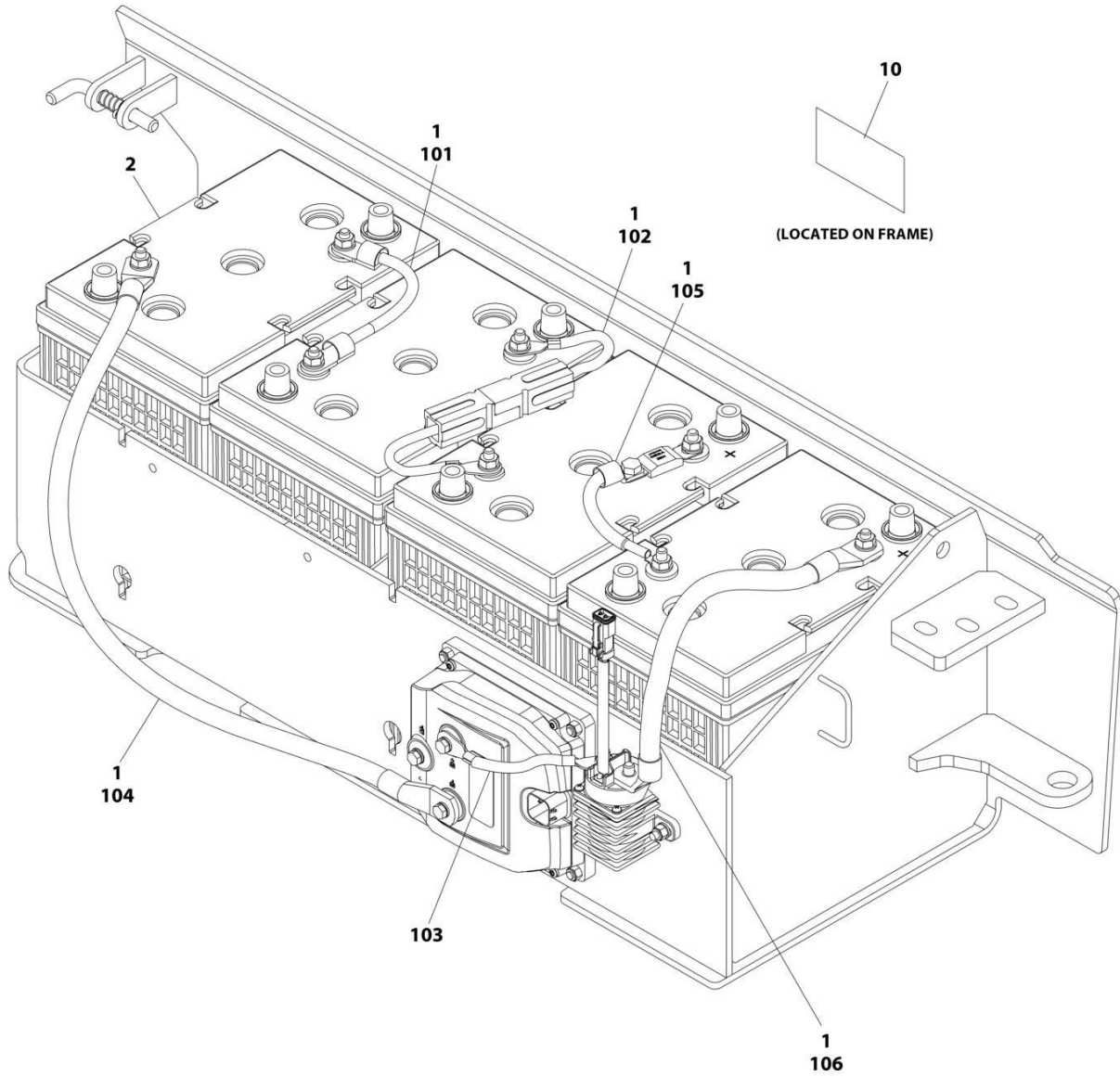
## SECTION 2 - GROUND CONTROLS

**FIGURE 2-7. BATTERIES INSTALLATION - AGM BATTERIES WITH DISCONNECT (MEXICO BUILT MACHINES)**

ITEM	PART NUMBER	QTY	DESCRIPTION	REV
	1001208058	Ref	BATTERIES INSTALLATION - AGM BATTERIES WITH DISCONNECT (MEXICO BUILT MACHINES)	F
1	0100051	AR	Grease, Terminal	
3	1001112112	4	Battery	
9	4240017	AR	Tie-Strap (Not Shown)	
10	1702155	1	Decal - Battery Disconnect	
100	1001228123	1	Battery Cable Kit (Not Shown)	A
101	1060998	2	Cable, Positive to Negative	
102	4923328	1	Cable, Positive to Negative	
103	1001201708	1	Cable, Contactor to Pump Control B+	
104	1001201711	1	Cable, Battery Negative to Pump Control B-	
105	1001210401	1	Cable, Battery Fuse	
106	1001229110	1	Cable, Battery Positive to Contactor	

## SECTION 2 - GROUND CONTROLS

FIGURE 2-8. BATTERIES INSTALLATION - AGM EVCG BATTERIES WITH DISCONNECT (CHINA BUILT MACHINES)



ART\_1001216250\_E



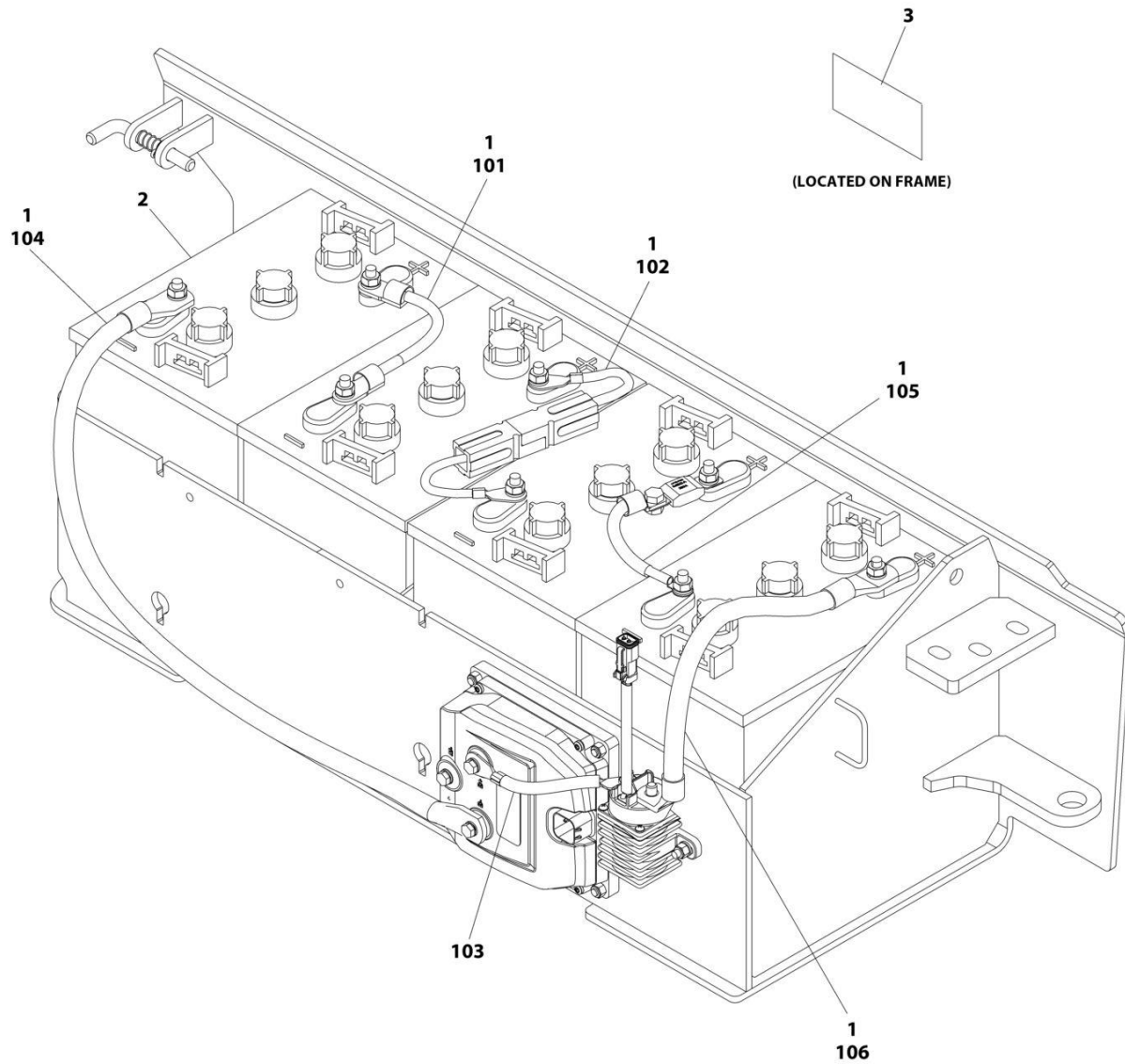
## SECTION 2 - GROUND CONTROLS

**FIGURE 2-8. BATTERIES INSTALLATION - AGM EVCG BATTERIES WITH DISCONNECT (CHINA BUILT MACHINES)**

ITEM	PART NUMBER	QTY	DESCRIPTION	REV
	1001216250	Ref	BATTERIES INSTALLATION - AGM EVCG BATTERIES WITH DISCONNECT (CHINA BUILT MACHINES)	E
1	0100051	AR	Grease, Terminal	
2	1001214347	4	Battery	
9	4240017	AR	Tie-Strap (Not Shown)	
10	1702155	1	Decal - Battery Disconnect	
100	1001228123	1	Battery Cable Kit (Not Shown)	A
101	1060998	1	Cable, Positive to Negative	
102	4923328	1	Cable, Positive to Negative	
103	1001201708	1	Cable, Contactor to Pump Control B+	
104	1001201711	1	Cable, Battery Negative to Pump Control B-	
105	1001210401	1	Cable, Battery Fuse	
106	1001229110	1	Cable, Battery Positive to Contactor	

## SECTION 2 - GROUND CONTROLS

FIGURE 2-9. BATTERIES INSTALLATION - TROJAN BATTERIES WITH DISCONNECT (CHINA BUILT MACHINES)



ART\_1001247926\_B

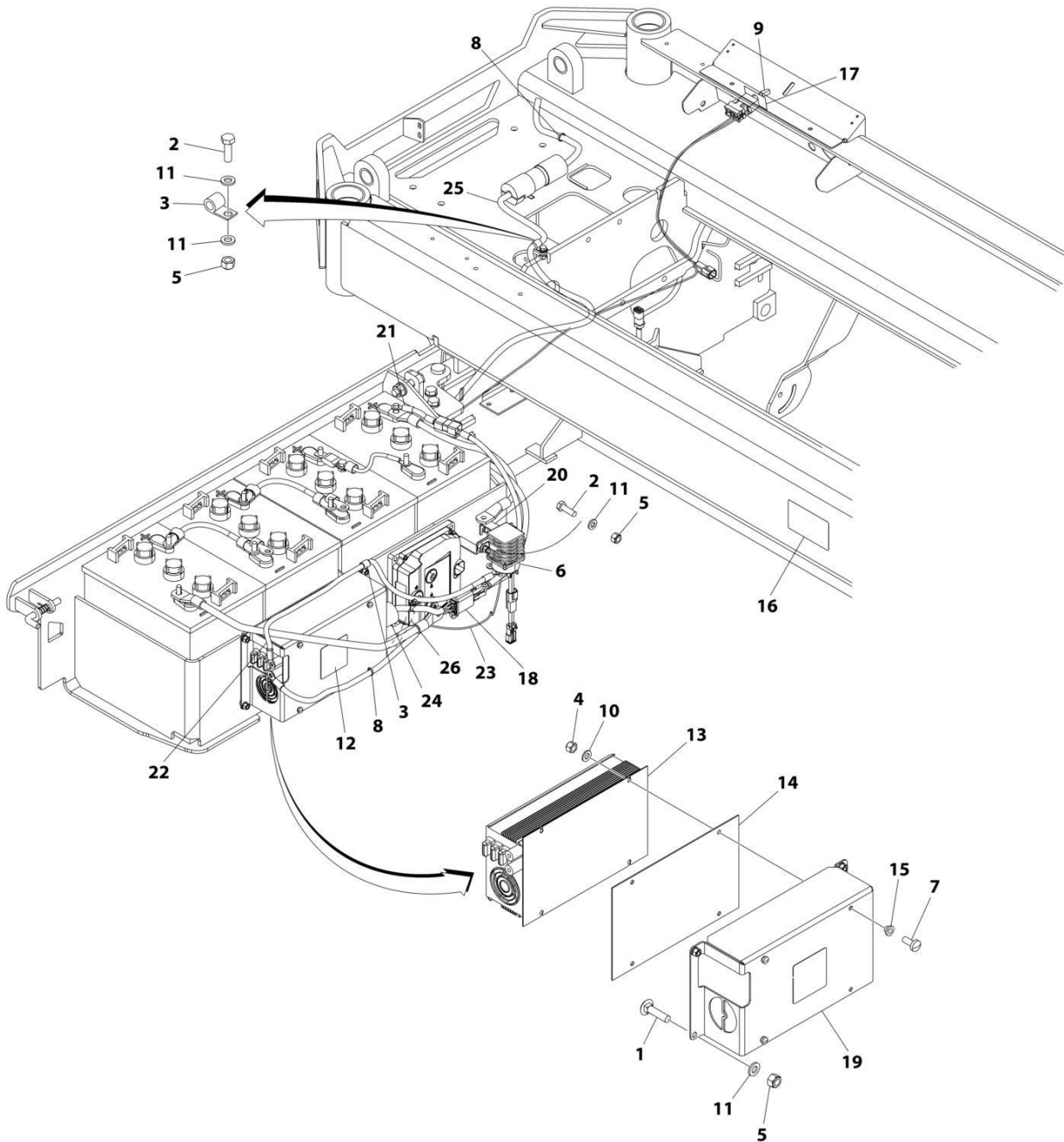
## SECTION 2 - GROUND CONTROLS

**FIGURE 2-9. BATTERIES INSTALLATION - TROJAN BATTERIES WITH DISCONNECT (CHINA BUILT MACHINES)**

ITEM	PART NUMBER	QTY	DESCRIPTION	REV
	1001247926	Ref	BATTERIES INSTALLATION - TROJAN BATTERIES WITH DISCONNECT	B
1	0100051	AR	Grease, Terminal	
2	1001258498	4	Battery	
3	1702155	1	Decal - Battery Disconnect	
4	4240017	AR	Tie-Strap (Not Shown)	
100	1001228123	1	Battery Cable Kit (Not Shown)	A
101	1060998	2	Cable, Positive to Negative	
102	4923328	1	Cable, Positive to Negative	
103	1001201708	1	Cable, Contactor to Pump Control B+	
104	1001201711	1	Cable, Battery Negative to Pump Control B-	
105	1001210401	1	Cable, Battery Fuse	
106	1001229110	1	Cable, Battery Positive to Contactor	

# SECTION 2 - GROUND CONTROLS

## FIGURE 2-10. INVERTER INSTALLATION (OPTIONAL) (MEXICO BUILT MACHINES)



ART\_1001209920

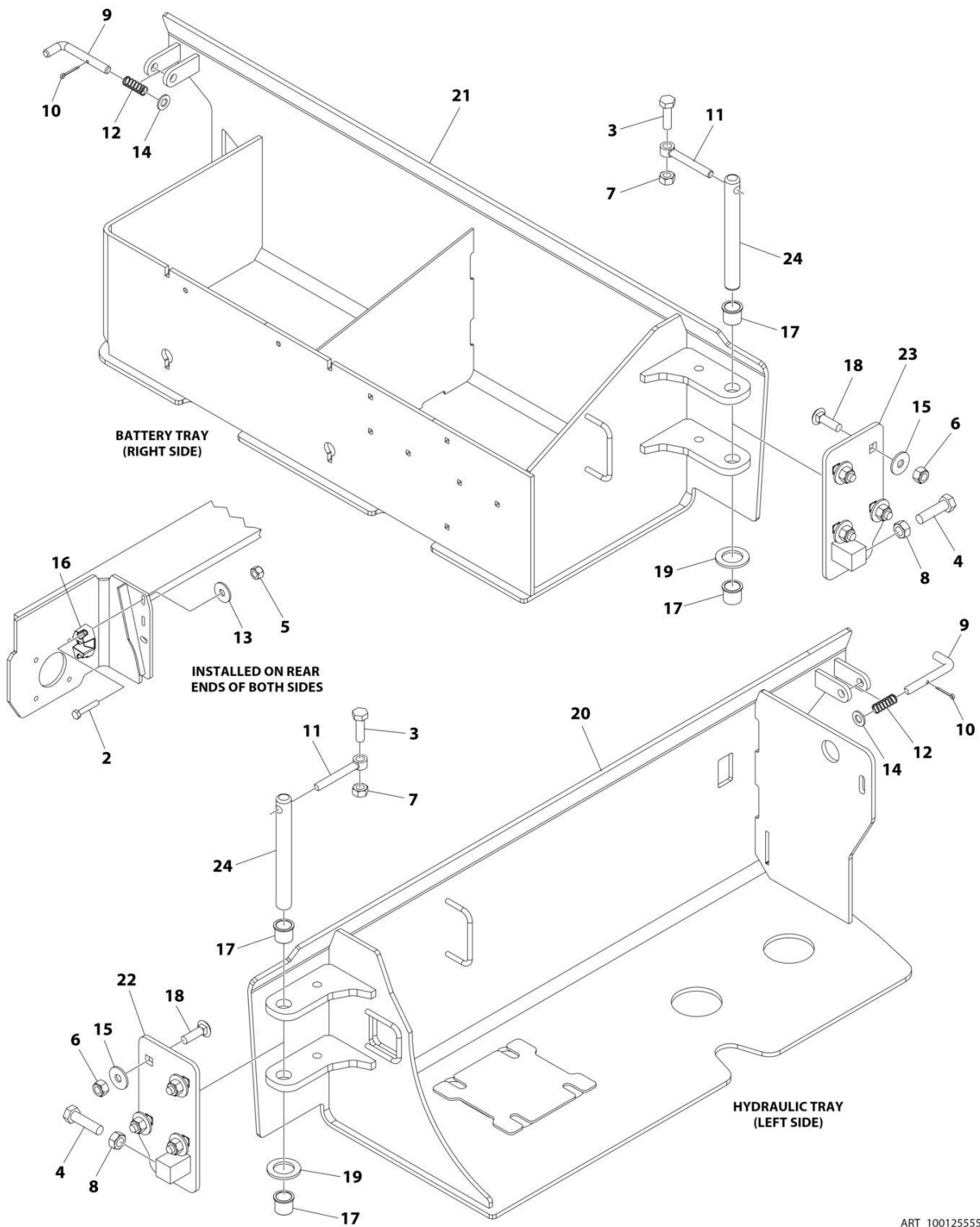
## SECTION 2 - GROUND CONTROLS

**FIGURE 2-10. INVERTER INSTALLATION (OPTIONAL) (MEXICO BUILT MACHINES)**

ITEM	PART NUMBER	QTY	DESCRIPTION	REV
	1001209920	Ref	INVERTER INSTALLATION (OPTIONAL)	B
1	0630587	4	Bolt M6 x 25	
2	0760610	3	Bolt M6 x 20	
3	1321293	2	Clamp	
4	3290405	3	Nut M4	
5	3290605	7	Nut M6	
6	3740150	1	Relay	
7	1001101540	3	Screw M4 x 14	
8	4240017	AR	Tie-Strap	
9	4360336	1	Switch, Toggle	
10	4811400	3	Washer M4	
11	4811700	8	Washer M6	
12	1001125483	1	Decal - Pressure Wash	
13	1001136757	1	Inverter	
14	1001142173	1	Insulate	
15	1001142174	3	Washer 1/8	
16	1001143009	1	Decal - Inverter	
17	1001143010	1	Decal - On/Off Inverter	
18	1001157547	1	Filter, AC	
19	1001210440	1	Support	
20	1001210605	1	Support	
21	1001210878	1	Cable, Battery + to Inverter Contactor	
22	1001210879	1	Cable, Inverter Contactor to Inverter +	
23	1001210880	1	Inverter Harness	
23	4460897	2	Receptacle, Female - 2 Position	
23	4460464	4	Pin, Male	
23	4460418	1	Plug, Male - 6 Position	
23	4460419	2	Terminal	
24	1001210881	1	Cable, Inverter to AC Filter	
25	1001210882	1	Cable, AC Filter to AC Plug	
26	1001210967	1	Cable, Pump Control B- to Inverter	

# SECTION 2 - GROUND CONTROLS

## FIGURE 2-11. DOORS INSTALLATION



ART\_1001255555

## SECTION 2 - GROUND CONTROLS

### FIGURE 2-11. DOORS INSTALLATION

ITEM	PART NUMBER	QTY	DESCRIPTION	REV
	100125555	Ref	DOORS INSTALLATION	C
2	0700817	4	Bolt M8 x 45	
3	0701015	2	Bolt M10 x 35	
4	0761217	2	Bolt M12 x 45	
5	3290805	4	Nut M8	
6	3291005	8	Nut M10	
7	3291007	2	Nut M10	
8	3291201	2	Nut M12	
9	3423243	2	Pin	
10	3450303	2	Pin, Cotter 3/32 x 3/4	
11	3841143	2	Keeper, Pin	
12	4160214	2	Spring	
13	4811902	4	Washer M8	
14	4812000	AR	Washer M10	
15	4812002	8	Washer M10	
16	1001214810	2	Support, Door Latch	
17	1001218573	4	Bearing	
18	1001228406	8	Bolt M10 x 35	
19	1001229792	2	Washer	
20	1001251232	1	Tray, Hydraulic	
21	1001251233	1	Tray, Battery	
22	1001251234	1	Hinge (Right)	
23	1001251235	1	Hinge (Left)	
24	1001251242	2	Pin	

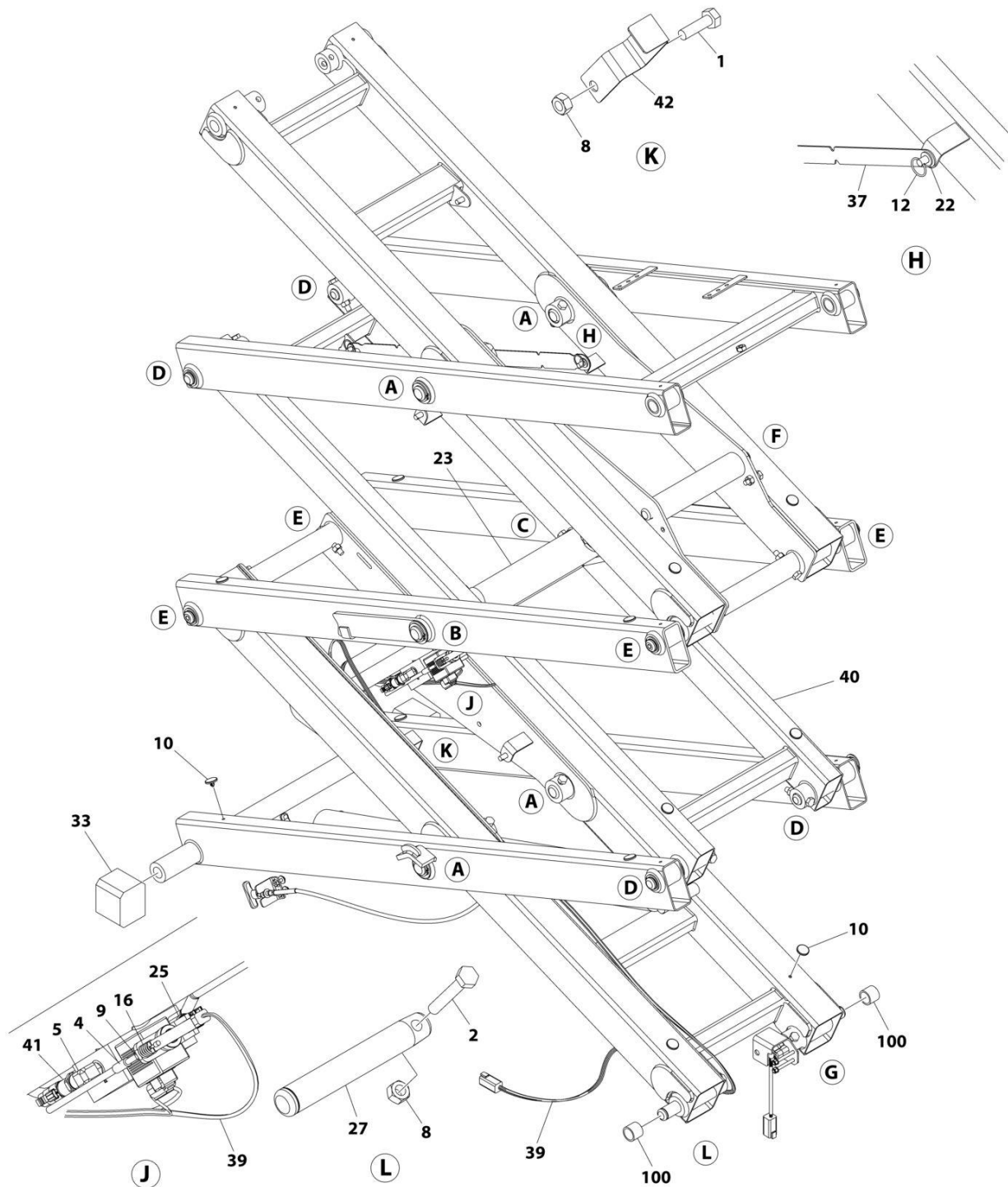




**SECTION 3 - SCISSORS ARMS**

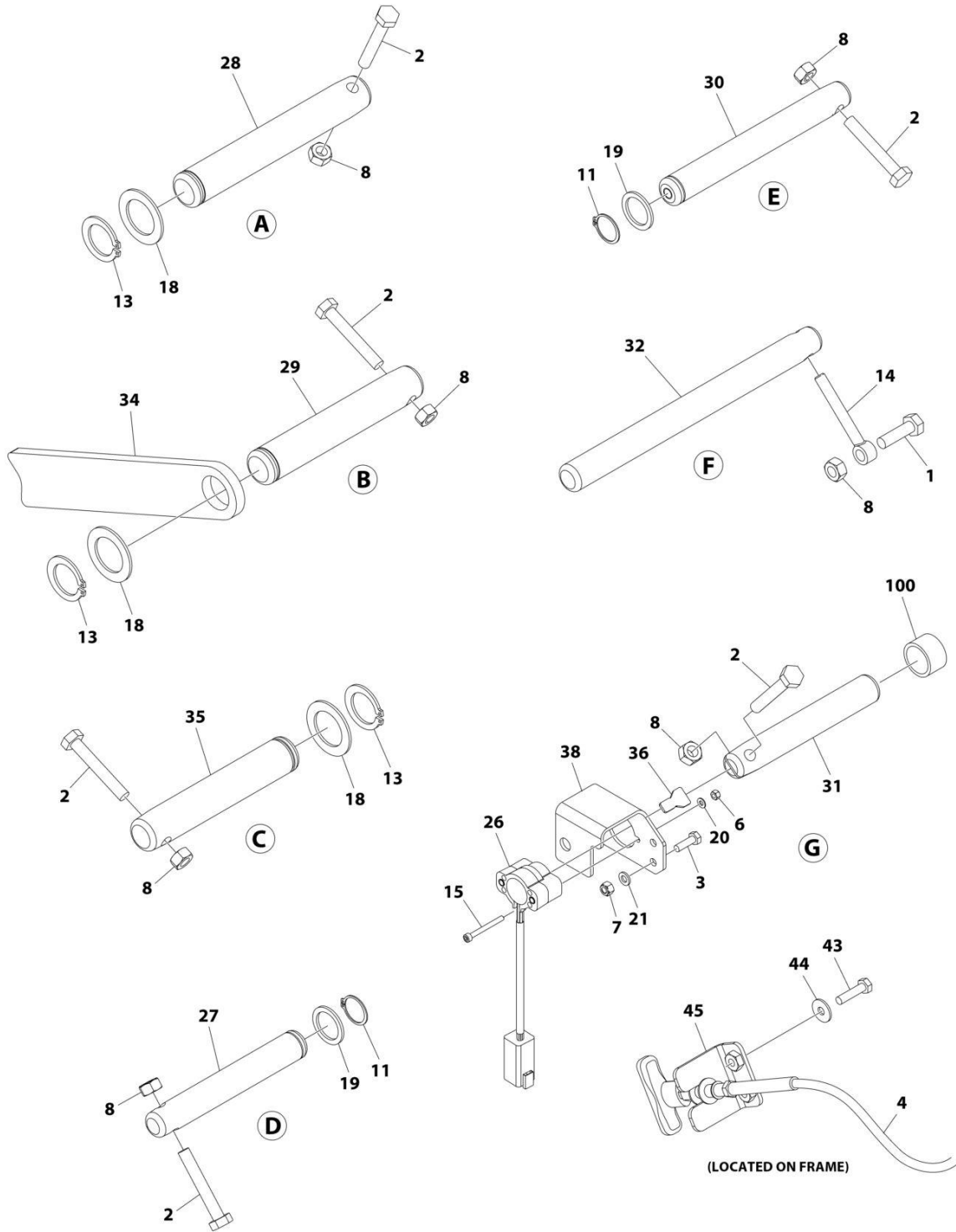
# SECTION 3 - SCISSORS ARMS

## FIGURE 3-1. SCISSORS ARMS INSTALLATION – R1532I (MEXICO BUILT MACHINES)



ART\_1001235060\_E\_1OF2

# SECTION 3 - SCISSORS ARMS



ART\_1001235060\_E\_20F2

## SECTION 3 - SCISSORS ARMS

FIGURE 3-1. SCISSORS ARMS INSTALLATION – R1532I (MEXICO BUILT MACHINES)

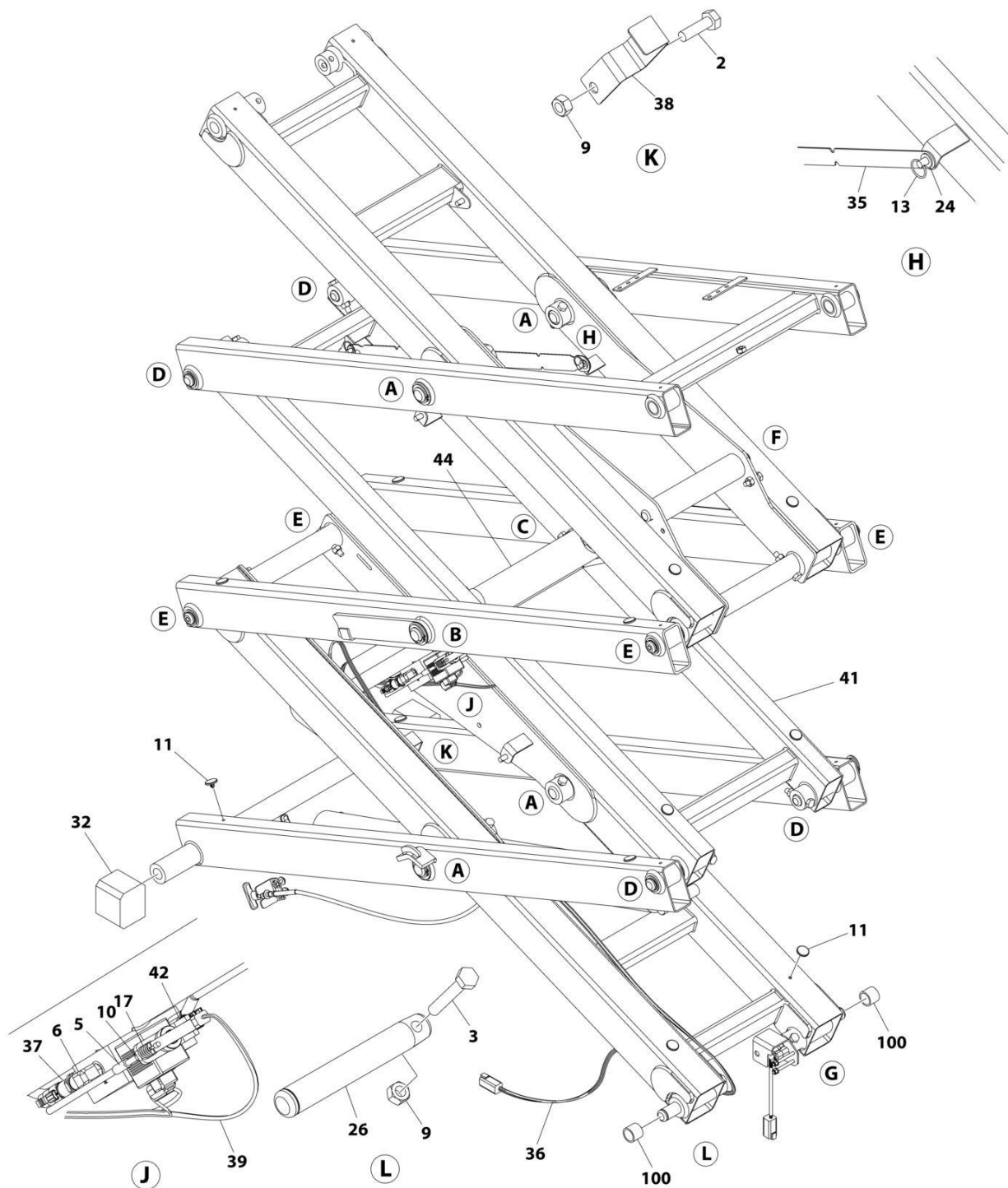
ITEM	PART NUMBER	QTY	DESCRIPTION	REV
	1001235060	Ref	SCISSORS ARMS INSTALLATION	E
1	0701015	3	Bolt M10 x 35	
2	0701021	16	Bolt M10 x 65	
3	0700620	2	Bolt M6 x 60	
4	1061034	1	Cable, Manual Descent	
4	7020218	1	T-Handle (1/4 Threads)	
4	70001878	1	T-Handle (M5 Threads)	
5	2221116	1	Fitting, 90 ORB/ORB	
6	3290405	2	Nut M4	
7	3290605	2	Nut M6	
8	3291007	19	Nut M10	
9	3321402	1	Nut 1/4	
10	3340962	18	Pad	
11	3760115	8	Ring, Retaining	
12	3760170	2	Ring, Split	
13	3760387	6	Ring, Retaining	
14	3841143	2	Keeper, Pin	
15	4031512	2	Capscrew M4 x 40	
16	4160078	1	Spring	
17	4240017	5	Tie-Strap (Not Shown)	
18	4740438	6	Washer	
19	4740531	8	Washer	
20	4811400	2	Washer M4	
21	4811700	2	Washer M6	
22	4812000	2	Washer M10	
23	1001198935	1	Lift Cylinder Assembly (See Separate Breakdown in CYLINDER SECTION)	
25	1001235104	1	Transducer, Pressure	
26	1001146963	1	Sensor, Angle	
26	4460899	1	Receptacle, Female - 6 Position	
26	4460464	6	Pin, Male	
27	1001203443	5	Pin	
28	1001203444	4	Pin	
29	1001203445	1	Pin	
30	1001203446	4	Pin	
31	1001203447	1	Pin	
32	1001203448	2	Pin	
33	1001204311	2	Block, Slide	
34	1001204312	1	Plate, Prop	
35	1001204994	1	Pin	
36	1001234204	1	Key, Angle Sensor	
37	1001206487	1	Support	
38	1001231268	1	Mount, Sensor	
39	1001222687	1	Lift Down Harness (See Separate Breakdown in ELECTRICAL SECTION)	
40	1001235059	1	Scissors Arms Kit (See Separate Breakdown in this Section)	
41	1001225164	1	Transducer, Pressure	
42	1001226791	1	Bracket	
43	0760612	2	Bolt M6 x 25	
44	4811702	2	Washer M6	

## SECTION 3 - SCISSORS ARMS

ITEM	PART NUMBER	QTY	DESCRIPTION	REV
45	1001253153	1	Mount	
100	1001134289	2	Bearing (Part of Frame)	

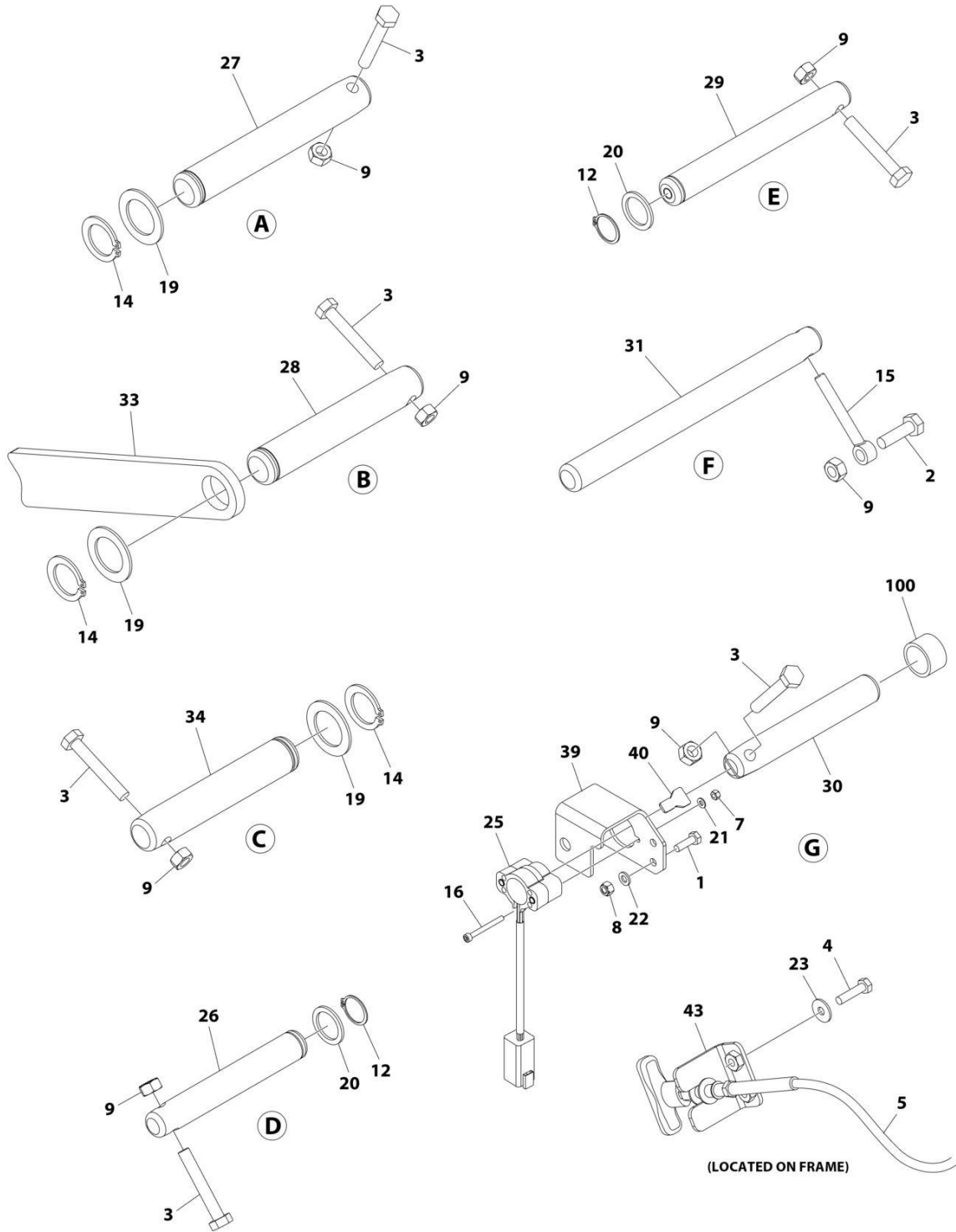
# SECTION 3 - SCISSORS ARMS

## FIGURE 3-2. SCISSORS ARMS INSTALLATION – R1532I (CHINA BUILT MACHINES)



ART\_1001263536\_10F2

# SECTION 3 - SCISSORS ARMS



ART\_1001263536\_20F2

## SECTION 3 - SCISSORS ARMS

FIGURE 3-2. SCISSORS ARMS INSTALLATION – R1532I (CHINA BUILT MACHINES)

ITEM	PART NUMBER	QTY	DESCRIPTION	REV
	1001263536	Ref	SCISSORS ARMS INSTALLATION	A
1	0700620	2	Bolt M6 x 60	
2	0701015	3	Bolt M10 x 35	
3	0701021	16	Bolt M10 x 65	
4	0760612	2	Bolt M6 x 25	
5	1061034	1	Cable, Manual Descent	
5	7020218	1	T-Handle (1/4 Threads)	
5	70001878	1	T-Handle (M5 Threads)	
6	2221116	1	Fitting, 90 ORB/ORB	
7	3290405	2	Nut M4	
8	3290605	2	Nut M6	
9	3291007	19	Nut M10	
10	3321402	1	Nut 1/4	
11	3340962	18	Pad	
12	3760115	8	Ring, Retaining	
13	3760170	2	Ring, Split	
14	3760387	6	Ring, Retaining	
15	3841143	2	Keeper, Pin	
16	4031512	2	Capscrew M4 x 40	
17	4160078	1	Spring	
18	4240017	5	Tie-Strap (Not Shown)	
19	4740438	6	Washer	
20	4740531	8	Washer	
21	4811400	2	Washer M4	
22	4811700	2	Washer M6	
23	4811702	2	Washer M6	
24	4812000	2	Washer M10	
25	1001146963	1	Sensor, Angle	
25	4460899	1	Receptacle, Female - 6 Position	
25	4460464	6	Pin, Male	
26	1001203443	5	Pin	
27	1001203444	4	Pin	
28	1001203445	1	Pin	
29	1001203446	4	Pin	
30	1001203447	1	Pin	
31	1001203448	2	Pin	
32	1001204311	2	Block, Slide	
33	1001204312	1	Plate, Prop	
34	1001204994	1	Pin	
35	1001206487	1	Support	
36	1001222687	1	Lift Down Harness (See Separate Breakdown in ELECTRICAL SECTION)	
37	1001225164	1	Transducer, Pressure	
38	1001226791	1	Bracket	
39	1001231268	1	Mount, Sensor	
40	1001234204	1	Key, Angle Sensor	
41	1001235059	1	Scissors Arms Kit (See Separate Breakdown in this Section)	
42	1001235104	1	Transducer, Pressure	
43	1001253153	1	Mount	
44	1001256787	1	Lift Cylinder Assembly (See Separate Breakdown in CYLINDER	

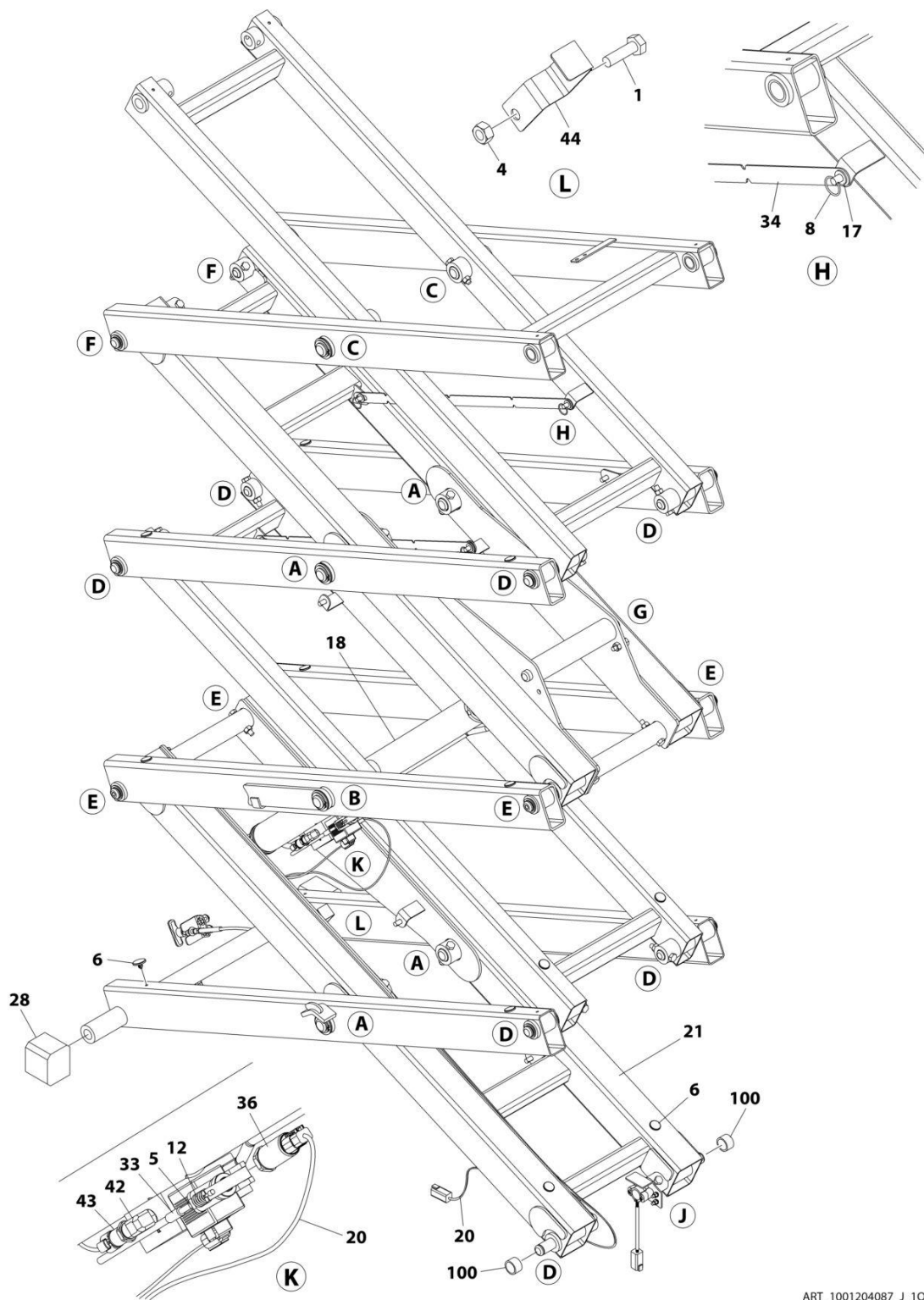


## SECTION 3 - SCISSORS ARMS

ITEM	PART NUMBER	QTY	DESCRIPTION	REV
100	1001134289	2	SECTION) Bearing (Part of Frame)	

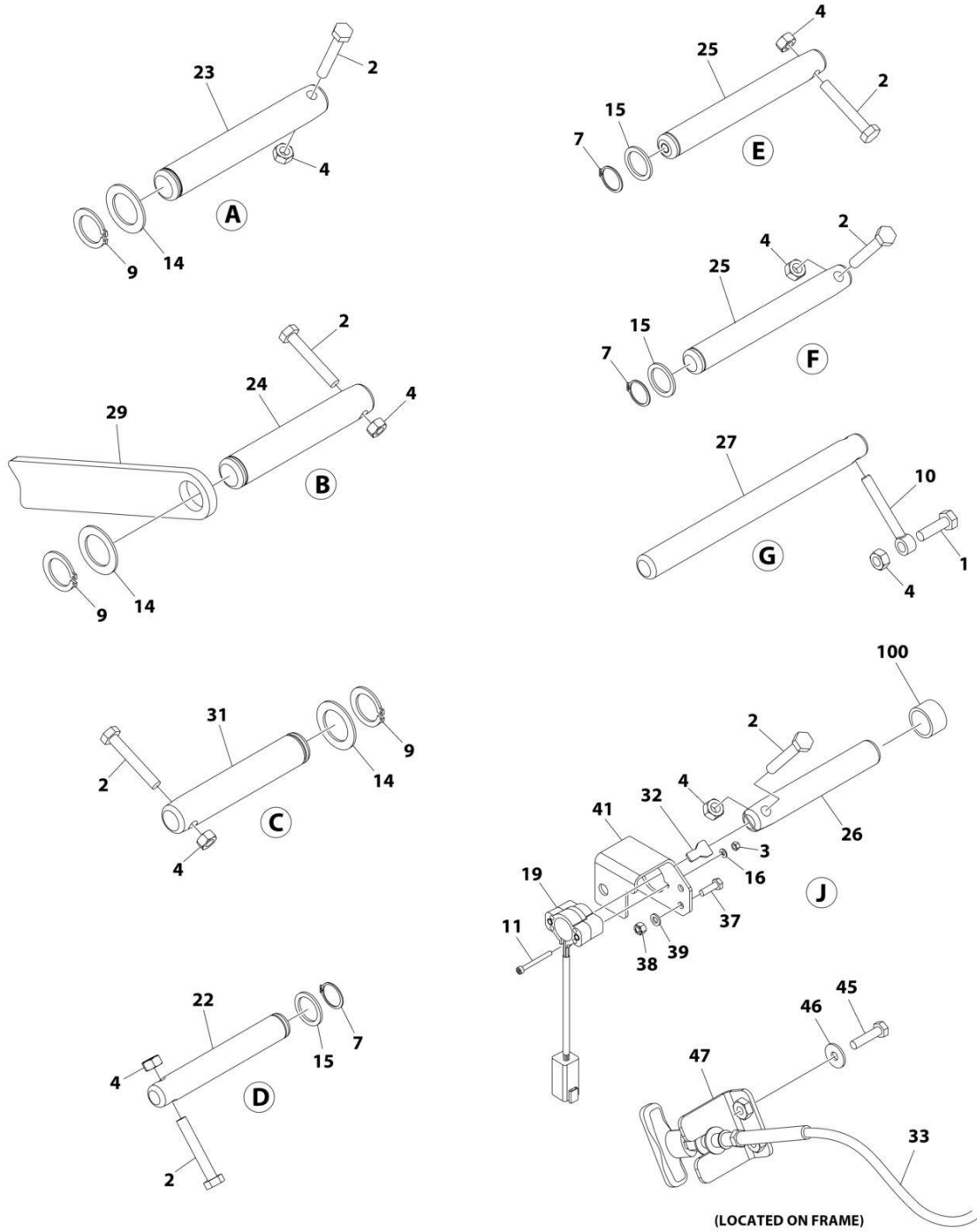
# SECTION 3 - SCISSORS ARMS

## FIGURE 3-3. SCISSORS ARMS INSTALLATION – R1932/R1932i (MEXICO BUILT MACHINES)



ART\_1001204087\_J\_10F2

# SECTION 3 - SCISSORS ARMS



ART\_1001204087\_J\_20F2

## SECTION 3 - SCISSORS ARMS

**FIGURE 3-3. SCISSORS ARMS INSTALLATION – R1932/R1932i (MEXICO BUILT MACHINES)**

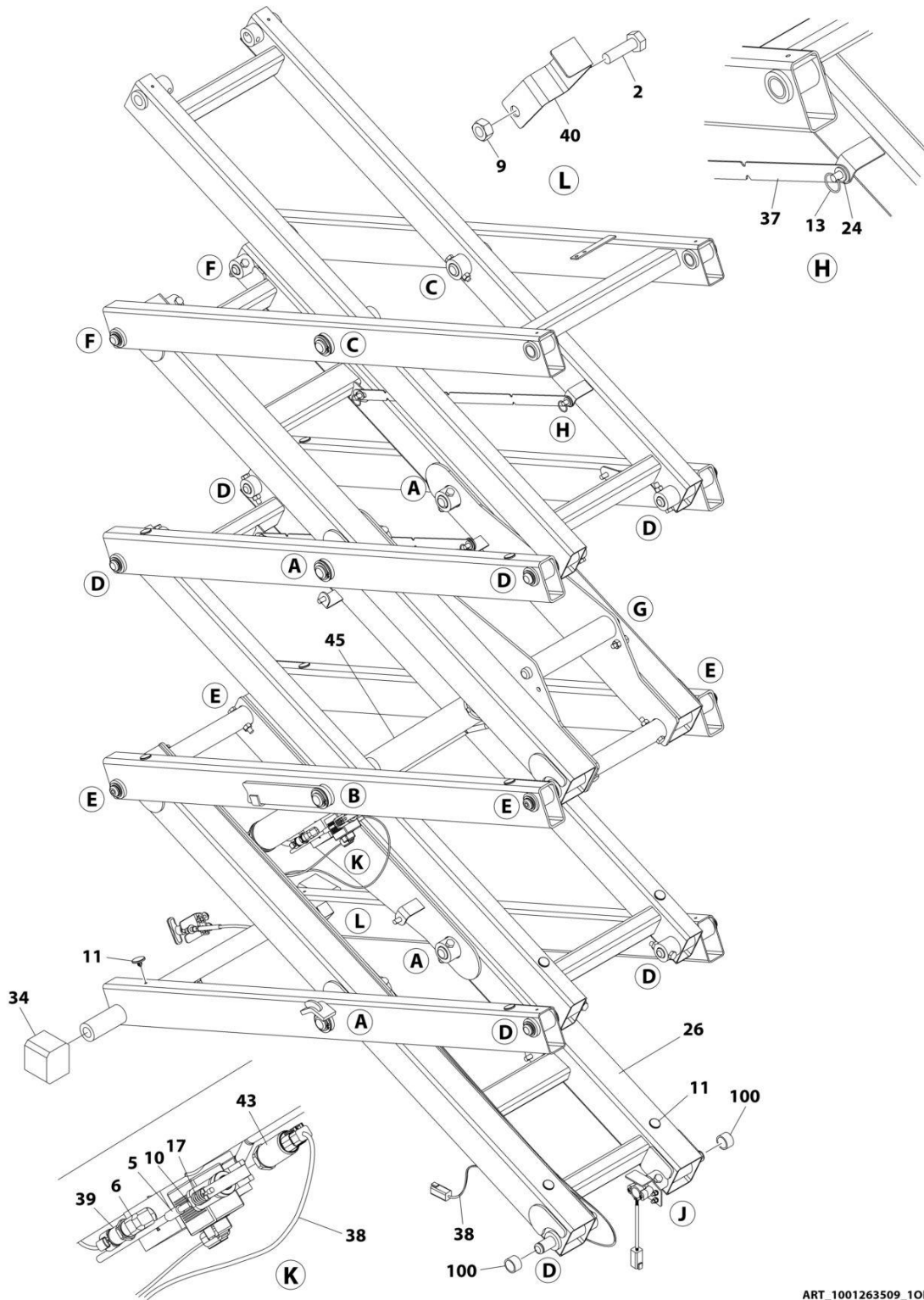
ITEM	PART NUMBER	QTY	DESCRIPTION	REV
	1001204087	Ref	SCISSORS ARMS INSTALLATION	J
1	0701015	AR	Bolt M10 x 35	
2	0701021	22	Bolt M10 x 65	
3	3290405	2	Nut M4	
4	3291007	AR	Nut M10	
5	3321402	1	Nut 1/4	
6	3340962	24	Pad	
7	3760115	12	Ring, Retaining	
8	3760170	4	Ring, Split	
9	3760387	8	Ring, Retaining	
10	3841143	2	Keeper, Pin	
11	4031512	2	Capscrew M4 x 40	
12	4160078	1	Spring	
13	4240017	5	Tie-Strap (Not Shown)	
14	4740438	8	Washer	
15	4740531	12	Washer	
16	4811400	2	Washer M4	
17	4812000	4	Washer M10	
18	1001198935	1	Lift Cylinder Assembly (See Separate Breakdown in CYLINDER SECTION)	
19	1001146963	1	Sensor, Angle	
19	4460899	1	Receptacle, Female - 6 Position	
19	4460464	6	Pin, Male	
20	1001222687	1	Lift Down Harness (See Separate Breakdown in ELECTRICAL SECTION)	
21	1001201355	1	Scissors Arms Kit (See Separate Breakdown in this Section)	
22	1001203443	7	Pin	
23	1001203444	4	Pin	
24	1001203445	1	Pin	
25	1001203446	6	Pin	
26	1001203447	1	Pin	
27	1001203448	2	Pin	
28	1001204311	2	Block, Slide	
29	1001204312	1	Plate, Prop	
31	1001204994	3	Pin	
32	1001234204	1	Key, Angle Sensor	
33	1061034	1	Cable, Manual Descent	
33	7020218	1	T-Handle (1/4 Threads)	
33	70001878	1	T-Handle (M5 Threads)	
34	1001206487	2	Support	
36	1001235104	1	Transducer, Pressure	
37	0700620	2	Bolt M6 x 60	
38	3290605	2	Nut M6	
39	4811700	2	Washer M6	
41	1001231268	1	Mount, Sensor	
42	2221116	1	Fitting, 90 ORB/ORB	
43	1001225164	1	Transducer, Pressure	
44	1001226791	1	Bracket	
45	0760612	2	Bolt M6 x 25	
46	4811702	2	Washer M6	

## SECTION 3 - SCISSORS ARMS

ITEM	PART NUMBER	QTY	DESCRIPTION	REV
47	1001253153	1	Mount	
100	1001134289	2	Bearing (Part of Frame)	

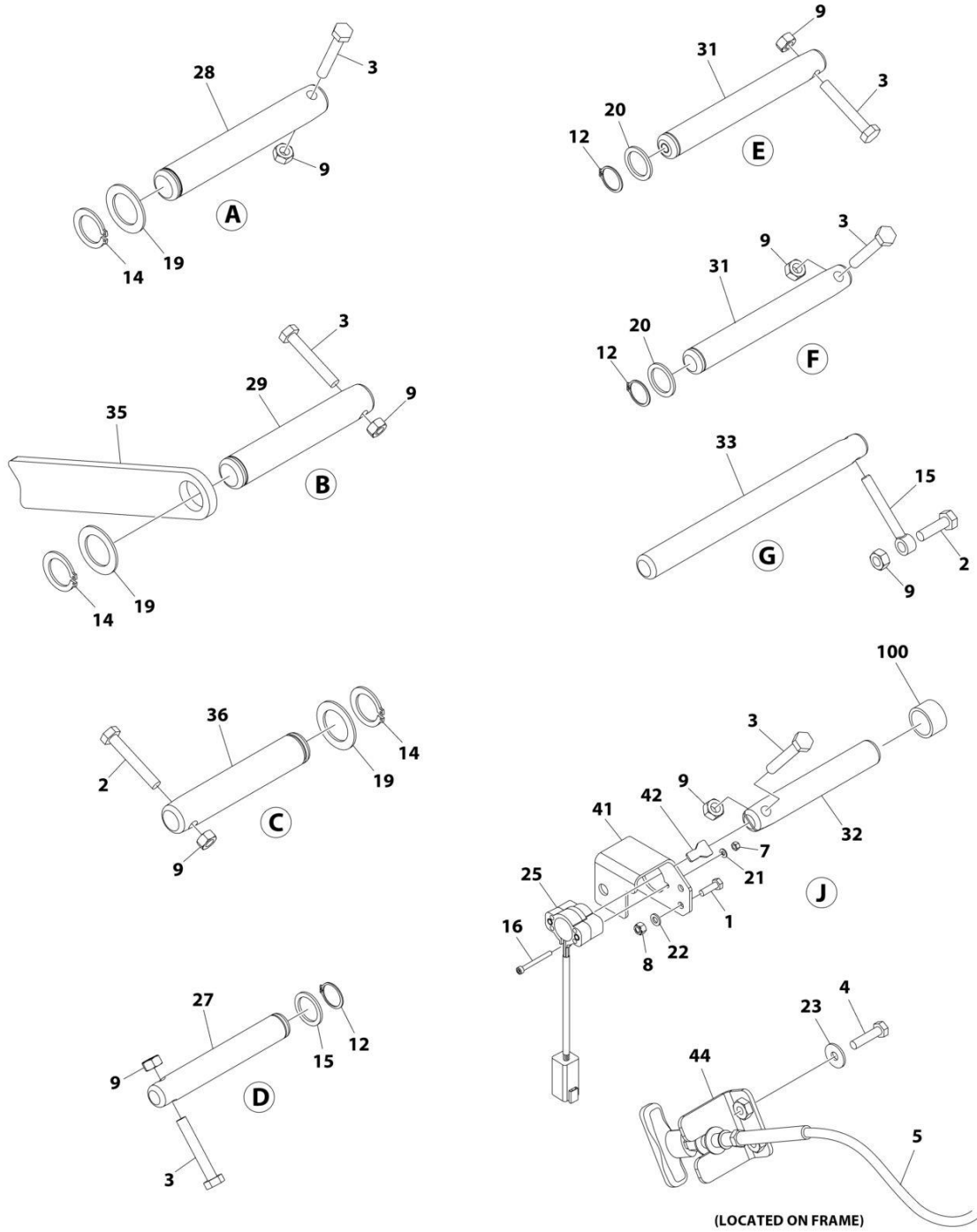
# SECTION 3 - SCISSORS ARMS

## FIGURE 3-4. SCISSORS ARMS INSTALLATION – R1932/R1932I (CHINA BUILT MACHINES)



ART\_1001263509\_10F2

# SECTION 3 - SCISSORS ARMS



ART\_1001263509\_20F2

## SECTION 3 - SCISSORS ARMS

FIGURE 3-4. SCISSORS ARMS INSTALLATION – R1932/R1932i (CHINA BUILT MACHINES)

ITEM	PART NUMBER	QTY	DESCRIPTION	REV
	1001263509	Ref	SCISSORS ARMS INSTALLATION	A
1	0700620	2	Bolt M6 x 60	
2	0701015	3	Bolt M10 x 35	
3	0701021	22	Bolt M10 x 65	
4	0760612	2	Bolt M6 x 25	
5	1061034	1	Cable, Manual Descent	
5	7020218	1	T-Handle (1/4 Threads)	
5	70001878	1	T-Handle (M5 Threads)	
6	2221116	1	Fitting, 90 ORB/ORB	
7	3290405	2	Nut M4	
8	3290605	2	Nut M6	
9	3291007	25	Nut M10	
10	3321402	1	Nut 1/4	
11	3340962	24	Pad	
12	3760115	12	Ring, Retaining	
13	3760170	4	Ring, Split	
14	3760387	8	Ring, Retaining	
15	3841143	2	Keeper, Pin	
16	4031512	2	Capscrew M4 x 40	
17	4160078	1	Spring	
18	4240017	5	Tie-Strap (Not Shown)	
19	4740438	8	Washer	
20	4740531	12	Washer	
21	4811400	2	Washer M4	
22	4811700	2	Washer M6	
23	4811702	2	Washer M6	
24	4812000	4	Washer M10	
25	1001146963	1	Sensor, Angle	
25	4460899	1	Receptacle, Female - 6 Position	
25	4460464	6	Pin, Male	
26	1001201355	1	Scissors Arms Kit (See Separate Breakdown in this Section)	
27	1001203443	7	Pin	
28	1001203444	4	Pin	
29	1001203445	1	Pin	
31	1001203446	6	Pin	
32	1001203447	1	Pin	
33	1001203448	2	Pin	
34	1001204311	2	Block, Slide	
35	1001204312	1	Plate, Prop	
36	1001204994	3	Pin	
37	1001206487	2	Support	
38	1001222687	1	Lift Down Harness (See Separate Breakdown in ELECTRICAL SECTION)	
39	1001225164	1	Transducer, Pressure	
40	1001226791	1	Bracket	
41	1001231268	1	Mount, Sensor	
42	1001234204	1	Key, Angle Sensor	
43	1001235104	1	Transducer, Pressure	
44	1001253153	1	Mount	
45	1001256787	1	Lift Cylinder Assembly (See Separate Breakdown in CYLINDER	

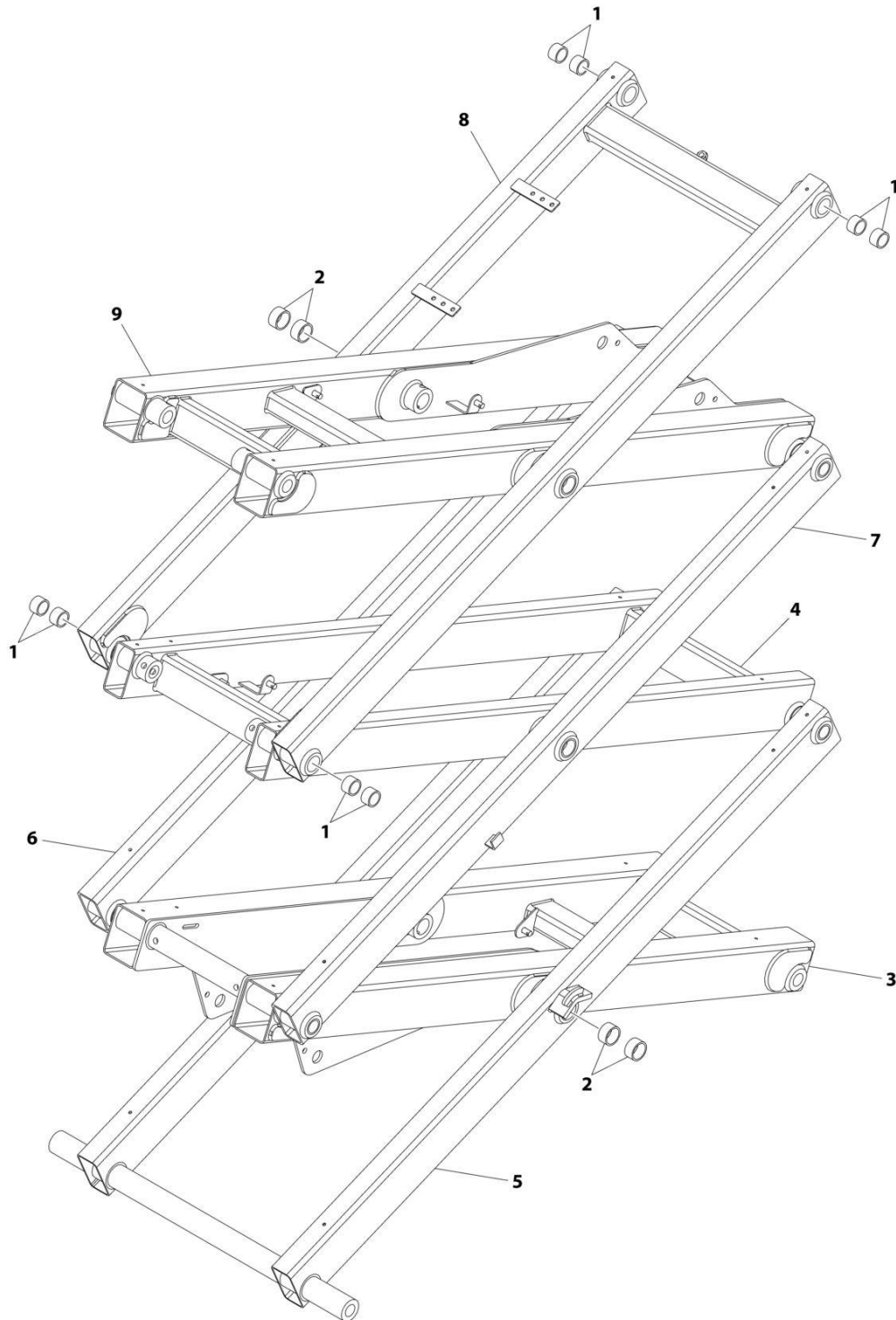


## SECTION 3 - SCISSORS ARMS

ITEM	PART NUMBER	QTY	DESCRIPTION	REV
100	1001134289	2	SECTION) Bearing (Part of Frame)	

# SECTION 3 - SCISSORS ARMS

## FIGURE 3-5. SCISSORS ARMS KIT - R1532I



ART\_1001235059

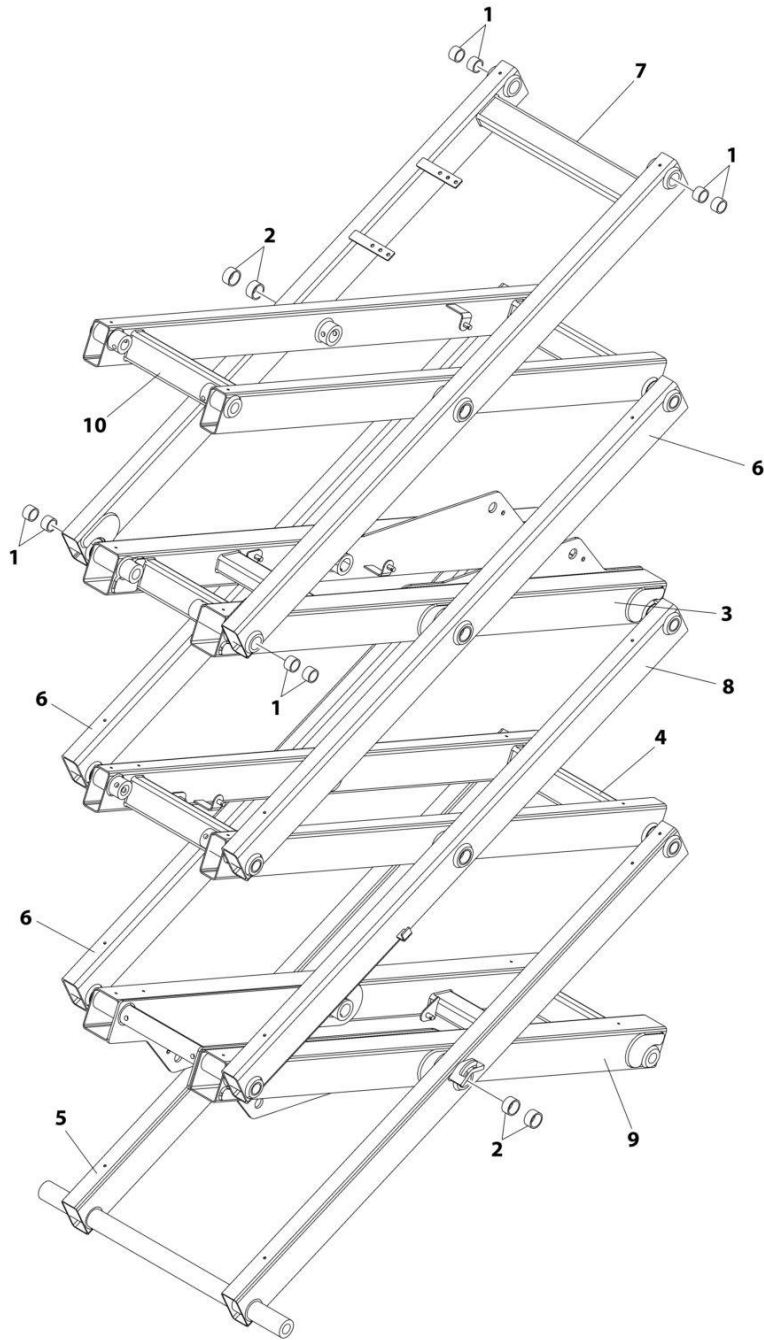
## SECTION 3 - SCISSORS ARMS

FIGURE 3-5. SCISSORS ARMS KIT - R1532I

ITEM	PART NUMBER	QTY	DESCRIPTION	REV
	1001235059	Ref	SCISSORS ARMS KIT	B
1	0440264	20	Bearing	
2	0440265	12	Bearing	
3	1001235024	2	Arm, Inboard (Bottom)	
4	1001203974	1	Arm, Inboard (Mid)	
5	1001203975	1	Arm, Outboard (Bottom)	
6	1001203976	1	Arm, Outboard (Mid Left Side)	
7	1001213554	1	Arm, Outboard (Mid Right Side)	
8	1001204621	1	Arm, Outboard (Top)	
9	1001235025	1	Arm, Inboard (Top)	

# SECTION 3 - SCISSORS ARMS

FIGURE 3-6. SCISSORS ARMS KIT - R1932/R1932I



ART\_1001201355\_D

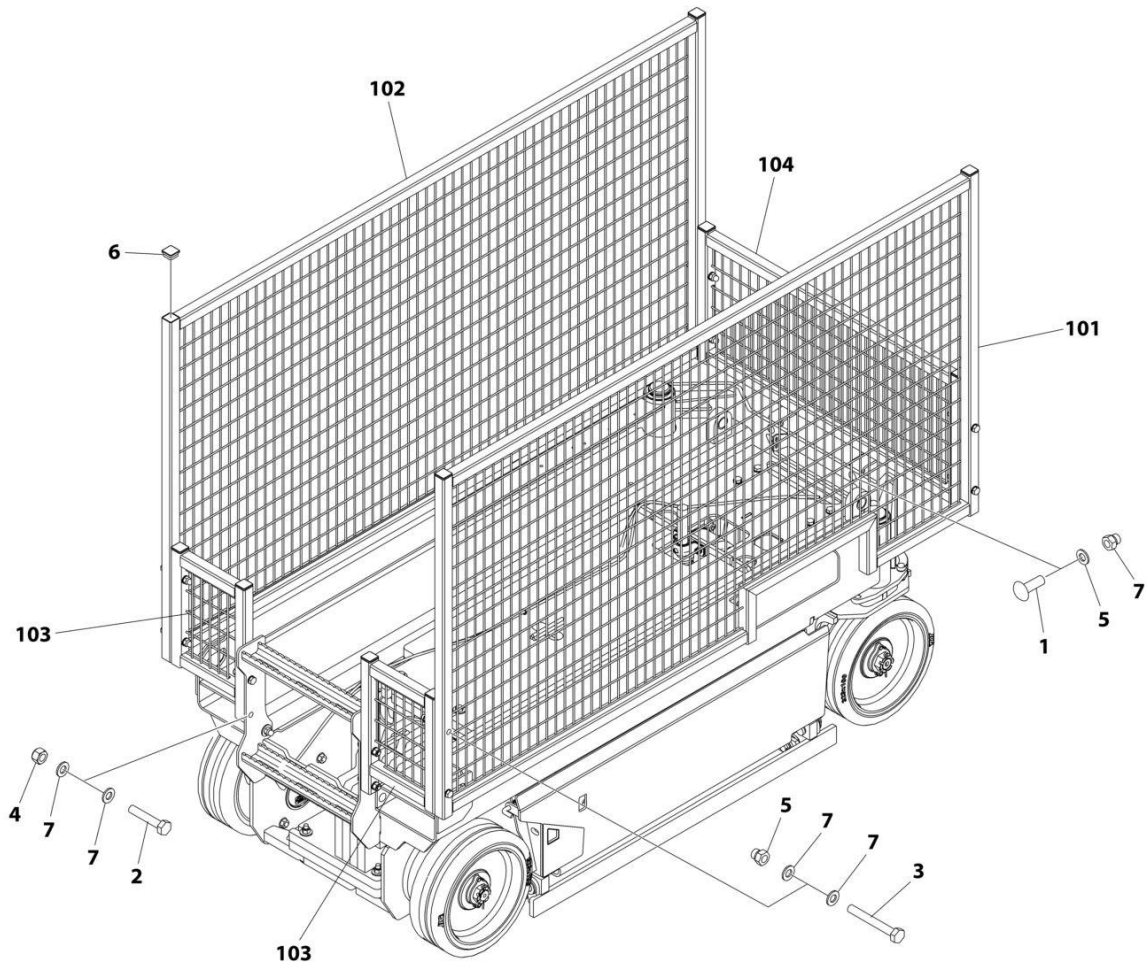
## SECTION 3 - SCISSORS ARMS

**FIGURE 3-6. SCISSORS ARMS KIT - R1932/R1932I**

ITEM	PART NUMBER	QTY	DESCRIPTION	REV
	1001201355	Ref	SCISSORS ARMS KIT	D
1	0440264	28	Bearing	
2	0440265	16	Bearing	
3	1001203973	1	Arm, Inboard (Upper Mid)	
4	1001203974	1	Arm, Inboard (Lower Mid)	
5	1001203975	1	Arm, Outboard (Bottom)	
6	1001203976	3	Arm, Outboard (Lower Mid Left Side and Upper Mid Right/Left)	
7	1001204621	1	Arm, Outboard (Top)	
8	1001213554	1	Arm, Outboard (Lower Mid Right Side)	
9	1001241604	1	Arm, Inboard (Bottom)	
10	1001241605	1	Arm, Inboard (Top)	

# SECTION 3 - SCISSORS ARMS

## FIGURE 3-7. ARM GUARD INSTALLATION



ART\_1001224623

## SECTION 3 - SCISSORS ARMS

### FIGURE 3-7. ARM GUARD INSTALLATION

ITEM	PART NUMBER	QTY	DESCRIPTION	REV
	1001224623	Ref	ARM GUARD INSTALLATION	A
1	0630613	2	Bolt M10 x 30	
2	0701019	4	Bolt M10 x 55	
3	0701024	8	Bolt M10 x 80	
4	3291005	4	Nut M10	
5	3291006	10	Nut M10	
6	3520072	10	Plug	
7	4812000	26	Washer M10	
8	1001224622	1	Arm Guard Kit	
101	1001224604	1	Guard, Arm (RH)	
102	1001224608	1	Guard, Arm (LH)	
103	1001224614	2	Guard, Arm (Rear)	
104	1001224620	1	Guard, Arm (Front)	

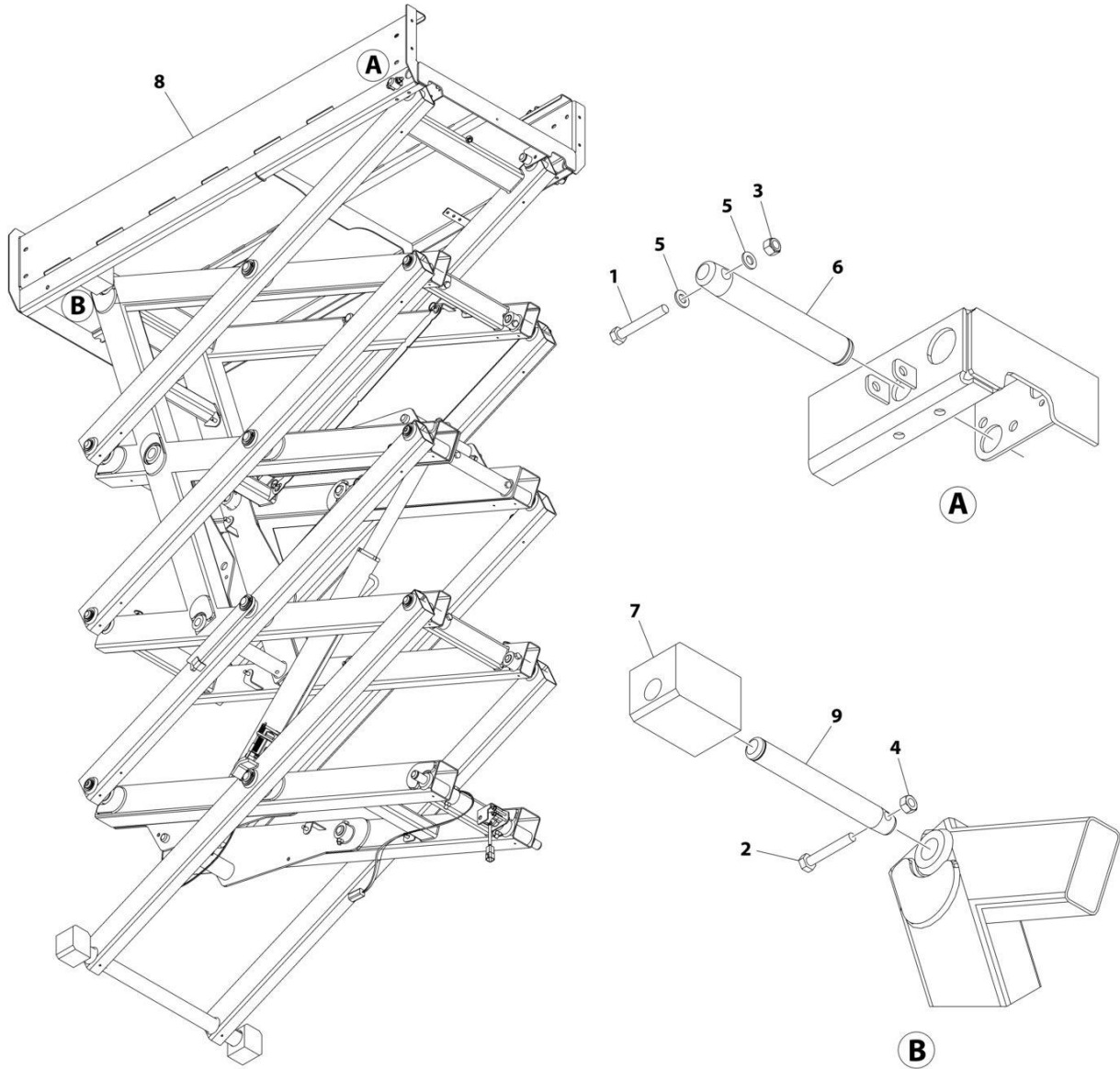




**SECTION 4 - PLATFORM**

# SECTION 4 - PLATFORM

## FIGURE 4-1. PLATFORM INSTALLATION – R1532I



ART\_1001226948

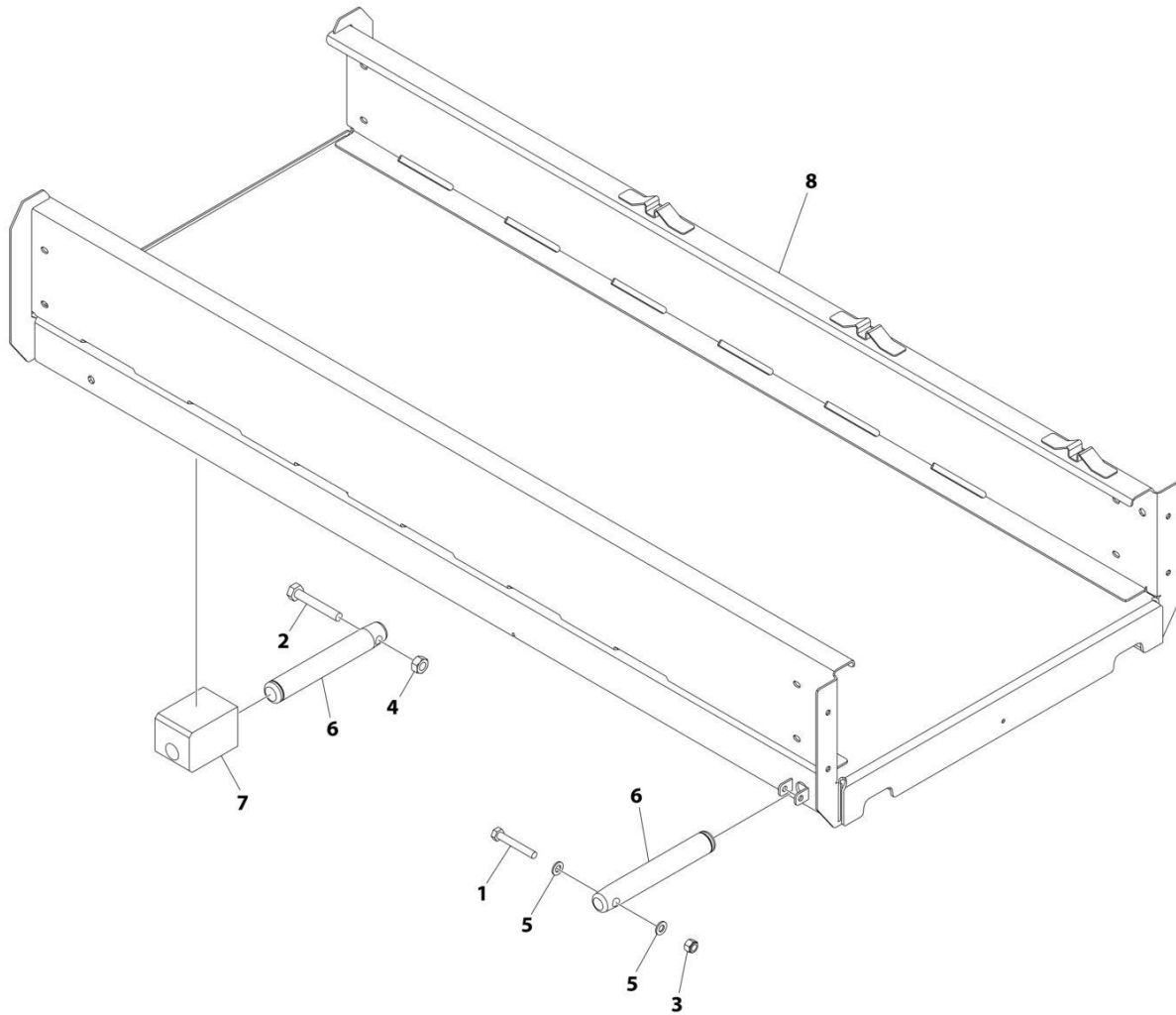
**SECTION 4 - PLATFORM**

**FIGURE 4-1. PLATFORM INSTALLATION – R1532I**

ITEM	PART NUMBER	QTY	DESCRIPTION	REV
	1001235018	Ref	PLATFORM INSTALLATION	A
1	0700819	2	Bolt M8 x 55	
2	0701021	2	Bolt M10 x 65	
3	3290805	2	Nut M8	
4	3291007	2	Nut M10	
5	4811900	4	Washer M8	
6	1001203443	2	Pin	
7	1001205156	2	Block, Slide	
8	1001235541	1	Platform	
9	1001204781	2	Pin	

# SECTION 4 - PLATFORM

## FIGURE 4-2. PLATFORM INSTALLATION - R1932/R1932I



ART\_1001205709\_C

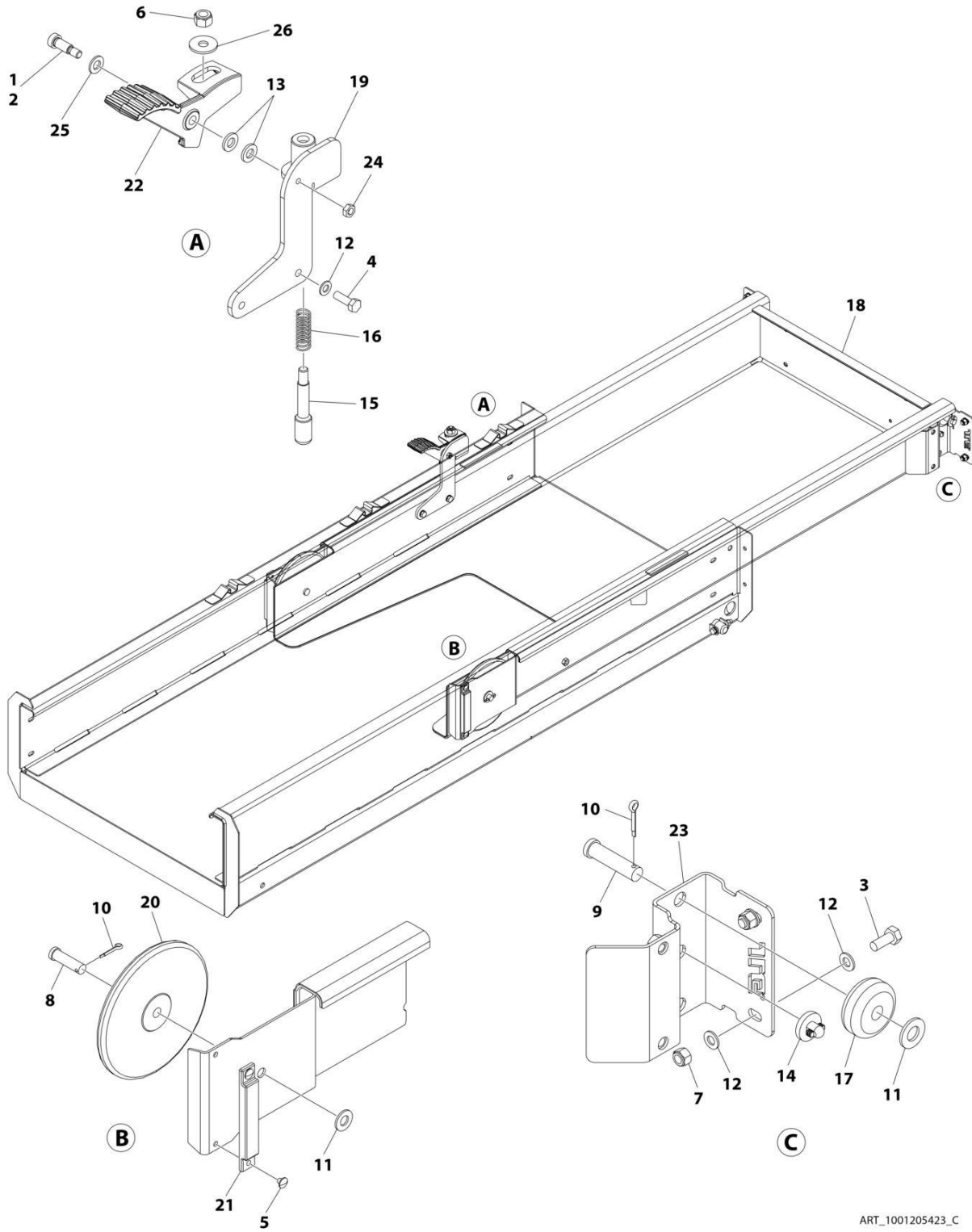
**SECTION 4 - PLATFORM**

**FIGURE 4-2. PLATFORM INSTALLATION - R1932/R1932i**

ITEM	PART NUMBER	QTY	DESCRIPTION	REV
	1001205709	Ref	PLATFORM INSTALLATION	C
1	0700819	2	Bolt M8 x 55	
2	0701021	2	Bolt M10 x 65	
3	3290805	2	Nut M8	
4	3291007	2	Nut M10	
5	4811900	4	Washer M8	
6	1001203443	4	Pin	
7	1001205156	2	Block, Slide	
8	1001235541	1	Platform	

# SECTION 4 - PLATFORM

## FIGURE 4-3. PLATFORM EXTENSION INSTALLATION



ART\_1001205423\_C

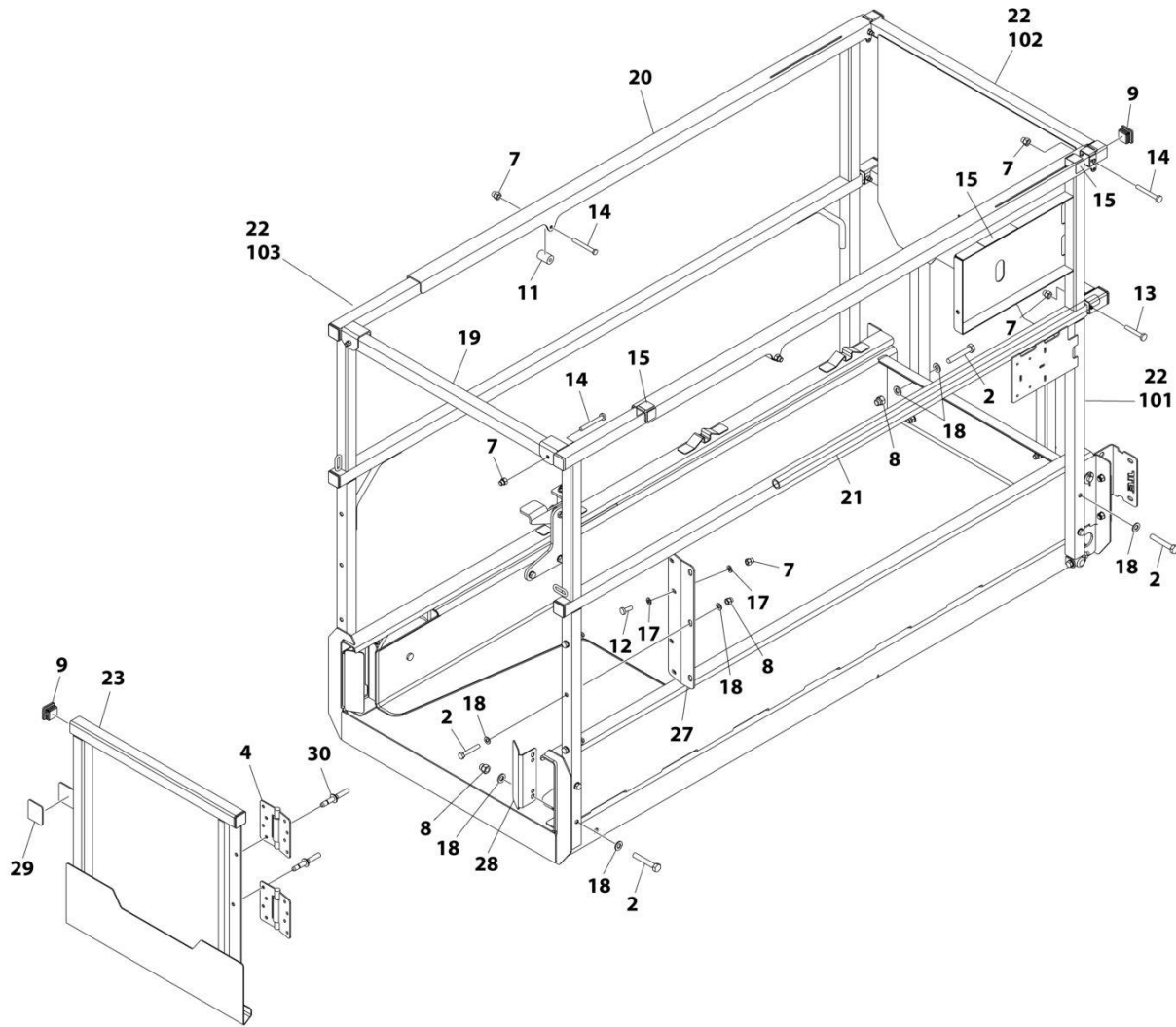
## SECTION 4 - PLATFORM

### FIGURE 4-3. PLATFORM EXTENSION INSTALLATION

ITEM	PART NUMBER	QTY	DESCRIPTION	REV
	1001205423	Ref	PLATFORM EXTENSION INSTALLATION	C
1	0100011	AR	Compound, Locking	
2	0630183	1	Screw 3/8 x 1	
3	0760810	4	Bolt M8 x 20	
4	0760812	2	Bolt M8 x 25	
5	2080040	4	Fastener	
6	3290605	AR	Nut M6	
6	3291005	AR	Nut M10	
7	3290805	4	Nut M8	
8	3430814	2	Pin	
9	3430816	2	Pin	
10	3450403	4	Pin, Cotter 1/8 x 3/4	
11	4711800	4	Washer 1/2	
12	4811900	11	Washer M8	
13	5241000	5	Washer M10	
14	1001137675	2	Bumper	
15	1001221476	1	Rod	
16	1001221475	1	Spring	
17	1001205422	2	Roller (Front)	
18	1001205424	1	Extension, Platform	
19	1001236129	1	Bracket	
20	1001205430	2	Roller (Rear)	
21	1001208852	2	Pad	
22	1001217043	1	Plate	
23	1001210064	2	Support	
24	3311502	1	Nut 5/16	
25	4812000	AR	Washer M10	
26	4812002	AR	Washer M10	

# SECTION 4 - PLATFORM

## FIGURE 4-4. RAILS INSTALLATION - FIXED RAILS/GATE ENTRY (INSIDE TUBE SLIDER)



ART\_1001207806\_F



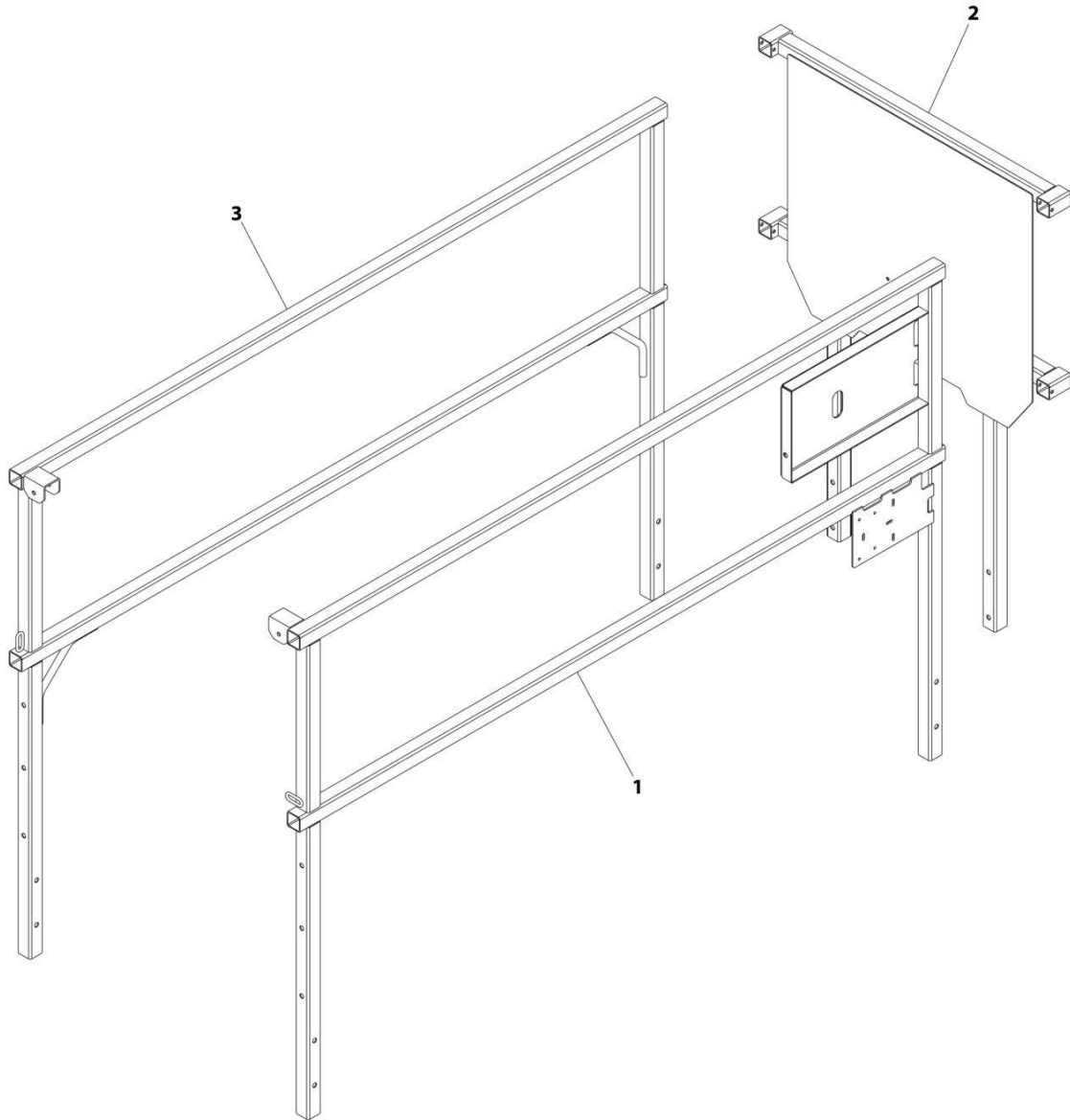
## SECTION 4 - PLATFORM

**FIGURE 4-4. RAILS INSTALLATION - FIXED RAILS/GATE ENTRY (INSIDE TUBE SLIDER)**

ITEM	PART NUMBER	QTY	DESCRIPTION	REV
	1001207806	Ref	RAILS INSTALLATION - FIXED RAILS/GATE ENTRY (INSIDE TUBE SLIDER)	F
2	0700818	15	Bolt M8 x 50	
4	2600281	2	Hinge	
7	3290606	12	Nut M6	
8	3290806	11	Nut M8	
9	3520072	10	Plug	
11	3860111	2	Roller	
12	4010608	4	Screw M6 x 16	
13	4010616	2	Screw M6 x 40	
14	4010618	6	Screw M6 x 50	
15	4420062	1.3 ft/ 40cm	Tape	
17	4811700	8	Washer M6	
18	4811900	28	Washer M8	
19	1001206224	1	Tube (Rear)	
20	1001206225	2	Rail, Top Slide	
21	1001206226	2	Rod	
22	1001206228	1	Rail Kit - Fixed Rails (See Items 101-103 for Breakdown))	
23	1001210302	1	Gate	
27	1001210586	1	Plate, Gate Hinge	
28	1001210963	2	Cover	
29	3080007	1	Magnet, Latch	
30	2080040	4	Fastener	
	1001206228	Ref	RAIL KIT - FIXED RAILS	G
101	1001206207	1	Rail, Side	
102	1001206217	1	Rail, Front	
103	1001206222	1	Rail, Side	

# SECTION 4 - PLATFORM

## FIGURE 4-5. RAIL KIT - FIXED RAILS (INSIDE TUBE SLIDER)



ART\_1001206228

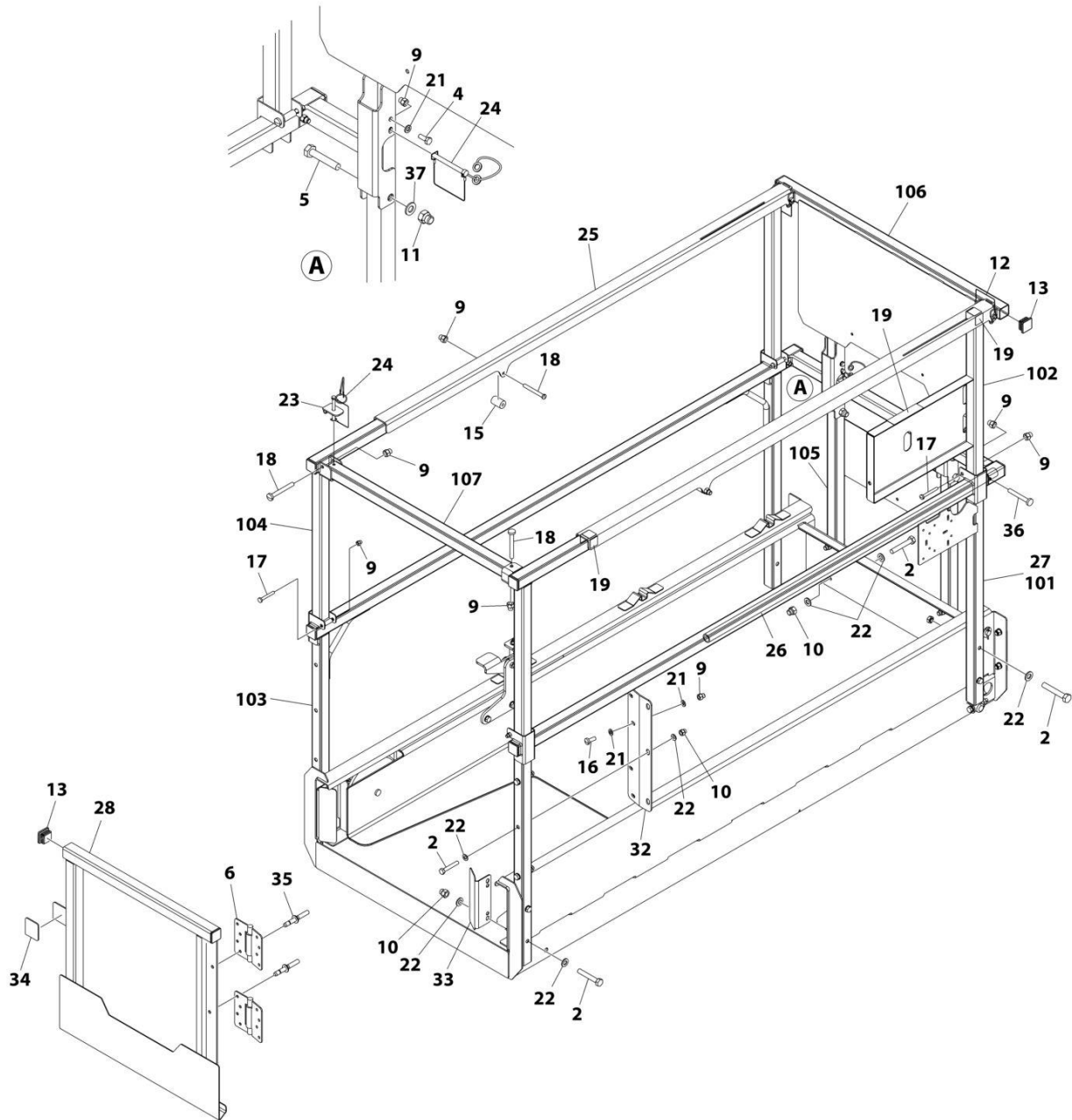
**SECTION 4 - PLATFORM**

**FIGURE 4-5. RAIL KIT - FIXED RAILS (INSIDE TUBE SLIDER)**

ITEM	PART NUMBER	QTY	DESCRIPTION	REV
	1001206228	Ref	RAIL KIT - FIXED RAILS (INSIDE TUBE SLIDER)	G
1	1001206207	1	Rail (Right)	
2	1001206217	1	Rail Extension (Front)	
3	1001206222	1	Rail (Left)	

# SECTION 4 - PLATFORM

## FIGURE 4-6. RAILS INSTALLATION - FOLD-DOWN RAILS/GATE ENTRY (INSIDE TUBE SLIDER)



ART\_1001207807\_E

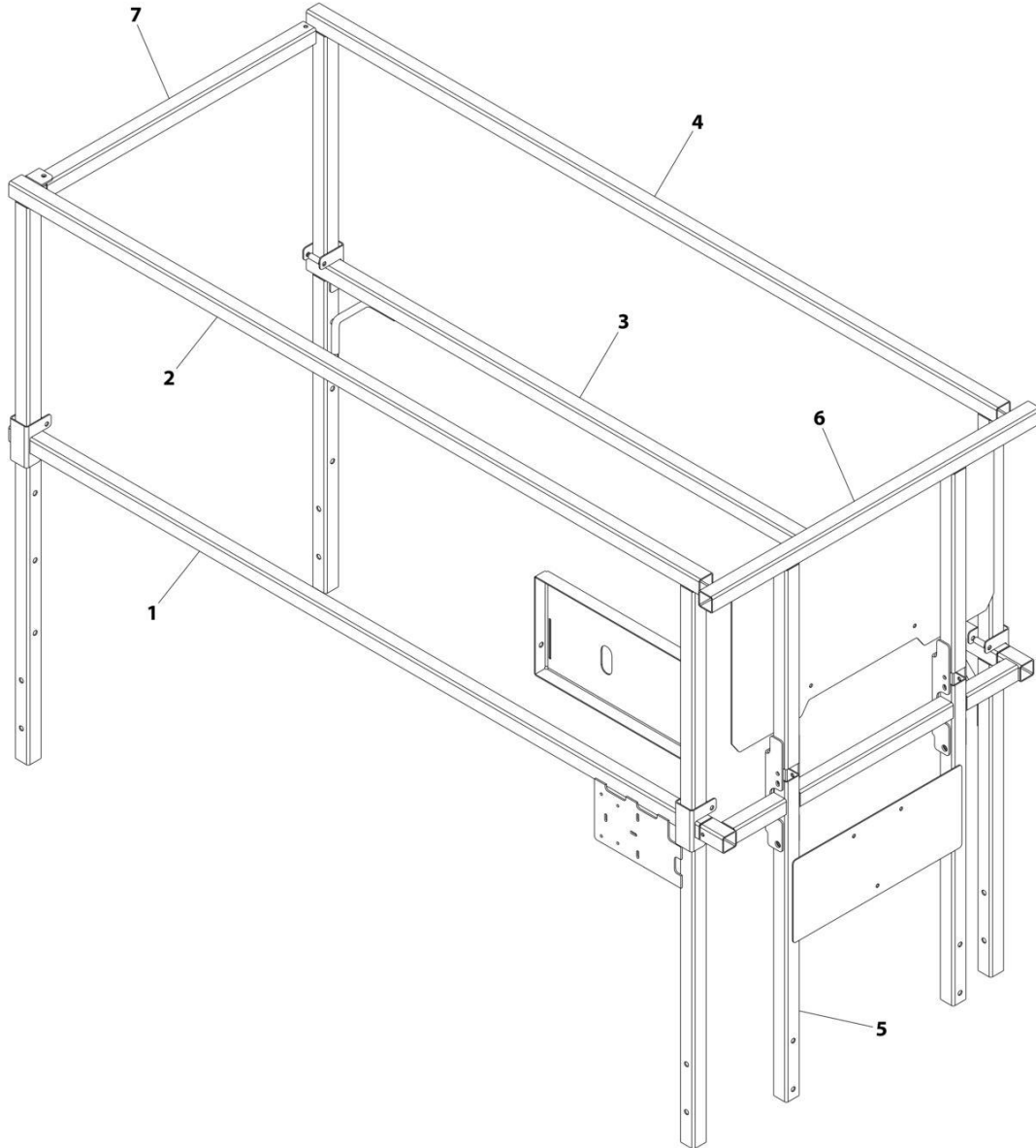
## SECTION 4 - PLATFORM

**FIGURE 4-6. RAILS INSTALLATION - FOLD-DOWN RAILS/GATE ENTRY (INSIDE TUBE SLIDER)**

ITEM	PART NUMBER	QTY	DESCRIPTION	REV
	1001207807	Ref	RAILS INSTALLATION - FOLD-DOWN RAILS/GATE ENTRY (INSIDE TUBE SLIDER)	E
2	0700818	15	Bolt M8 x 50	
4	0760608	2	Bolt M6 x 16	
5	0761019	2	Bolt M10 x 55	
6	2600281	2	Hinge	
9	3290606	16	Nut M6	
10	3290806	11	Nut M8	
11	3291006	2	Nut M10	
12	3422219	2	Pin	
13	3520072	10	Plug	
15	3860111	2	Roller	
16	4010608	4	Screw M6 x 16	
17	4010617	4	Screw M6 x 45	
18	4010618	4	Screw M6 x 50	
19	4420062	1.3 ft/ 40cm	Tape	
21	4811700	10	Washer M6	
22	4811900	26	Washer M8	
23	1001154378	1	Bracket	
24	1001187587	3	Pin	
25	1001206225	2	Rail, Top Slide	
26	1001206226	2	Rod	
27	1001208073	1	Rail Kit - Fold-Down Rails (Includes Items 101-107)	
28	1001210302	1	Gate	
32	1001210586	1	Plate, Gate Hinge	
33	1001210963	2	Cover	
34	3080007	1	Magnet	
35	2080040	4	Fastener	
36	4010616	4	Screw M6 x 40	
37	4812000	2	Washer M10	
101	1001210442	1	Rail - Lower (Right)	
102	1001210443	1	Rail - Upper (Right)	
103	1001210444	1	Rail - Lower (Left)	
104	1001210445	1	Rail - Upper (Left)	
105	1001210446	1	Rail - Extension Lower (Front)	
106	1001210447	1	Rail - Extension Upper (Front)	
107	1001210458	1	Rail (Rear)	

# SECTION 4 - PLATFORM

## FIGURE 4-7. RAIL KIT - FOLD-DOWN RAILS (INSIDE TUBE SLIDER)



ART\_1001208073

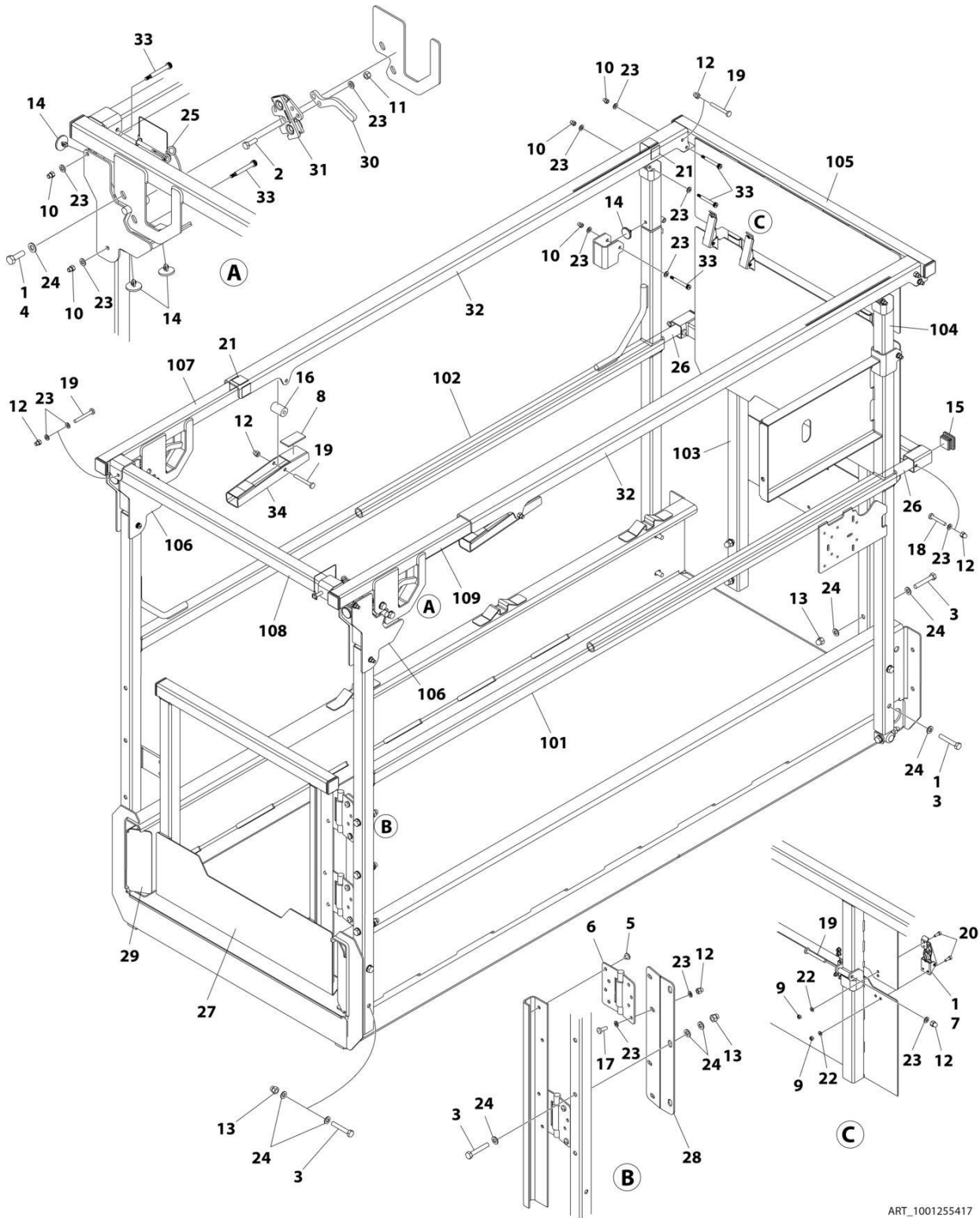
**SECTION 4 - PLATFORM**

**FIGURE 4-7. RAIL KIT - FOLD-DOWN RAILS (INSIDE TUBE SLIDER)**

<b>ITEM</b>	<b>PART NUMBER</b>	<b>QTY</b>	<b>DESCRIPTION</b>	<b>REV</b>
	1001208073	Ref	RAIL KIT - FOLD-DOWN RAILS (INSIDE TUBE SLIDER)	B
1	1001210442	1	Rail - Lower (Right)	
2	1001210443	1	Rail - Upper (Right)	
3	1001210444	1	Rail - Lower (Left)	
4	1001210445	1	Rail - Upper (Left)	
5	1001210446	1	Rail - Extension Lower (Front)	
6	1001210447	1	Rail - Extension Upper (Front)	
7	1001210458	1	Rail (Rear)	

# SECTION 4 - PLATFORM

## FIGURE 4-8. RAILS INSTALLATION - FOLD-DOWN RAILS/GATE ENTRY (QUIK FOLD) (INSIDE TUBE SLIDER)



ART\_1001255417



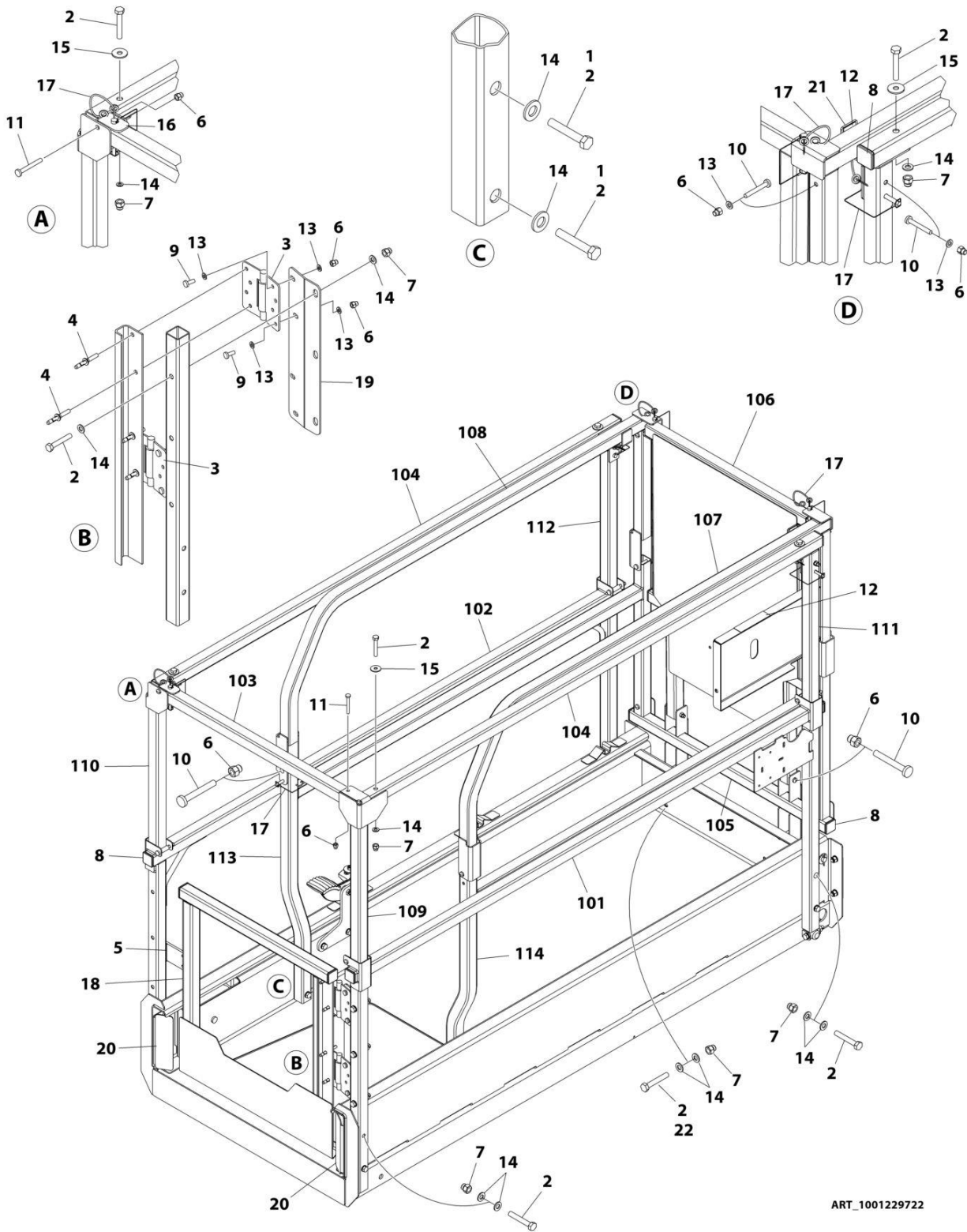
## SECTION 4 - PLATFORM

**FIGURE 4-8. RAILS INSTALLATION - FOLD-DOWN RAILS/GATE ENTRY (QUIK FOLD) (INSIDE TUBE SLIDER)**

ITEM	PART NUMBER	QTY	DESCRIPTION	REV
	1001255417	Ref	RAILS INSTALLATION - FOLD-DOWN RAILS/GATE ENTRY (QUIK FOLD) (INSIDE TUBE SLIDER)	E
1	0100011	AR	Compound, Locking	
2	0700610	4	Bolt M6 x 20	
3	0700818	15	Bolt M8 x 50	
4	0700812	4	Bolt M8 x 25	
5	2080040	4	Fastener	
6	2600281	2	Hinge	
7	2940129	2	Latch	
8	3080007	3	Magnet	
9	3290405	8	Nut M4	
10	3290506	10	Nut M5	
11	3290605	4	Nut M6	
12	3290606	13	Nut M6	
13	3290806	11	Nut M8	
14	3340962	8	Pad	
15	3520072	10	Plug	
16	3860111	2	Roller	
17	4010608	4	Screw M6 x 16	
18	4010616	2	Screw M6 x 40	
19	4010618	7	Screw M6 x 50	
20	4031506	8	Bolt M4 x 12	
21	4420062	1.3 ft /40cm	Tape	
22	4811400	8	Washer M4	
23	4811700	38	Washer M6	
24	4811900	33	Washer M8	
25	1001187587	1	Pin	
26	1001206226	2	Rod	
27	1001210302	1	Gate	
28	1001210586	1	Plate, Gate Hinge	
29	1001210963	2	Cover	
30	1001259102	1	Plate, Latch Trigger	
31	1001255470	1	Latch Assembly	
32	1001255505	2	Rail, Top Slide	
33	1001256657	10	Bolt M6 x 40	
34	1001261149	2	Handle	
100	1001255420	1	Rail Kit (Not Shown)	D
101	1001255421	1	Rail (Right Platform)	
102	1001255428	1	Rail (Left Platform)	
103	1001255430	1	Rail (Platform Extension)	
104	1001255442	2	Tube (Rail Hinge)	
105	1001255457	1	Rail (Upper Extension)	
106	1001259105	2	Rail (Latch Assembly)	
107	1001259106	1	Rail (Upper Right)	
108	1001255491	1	Tube (Upper Extension)	
109	1001259107	1	Rail (Upper Left)	

# SECTION 4 - PLATFORM

## FIGURE 4-9. RAILS INSTALLATION - FOLD-DOWN RAILS/GATE ENTRY (OUTSIDE TUBE SLIDER)



ART\_1001229722

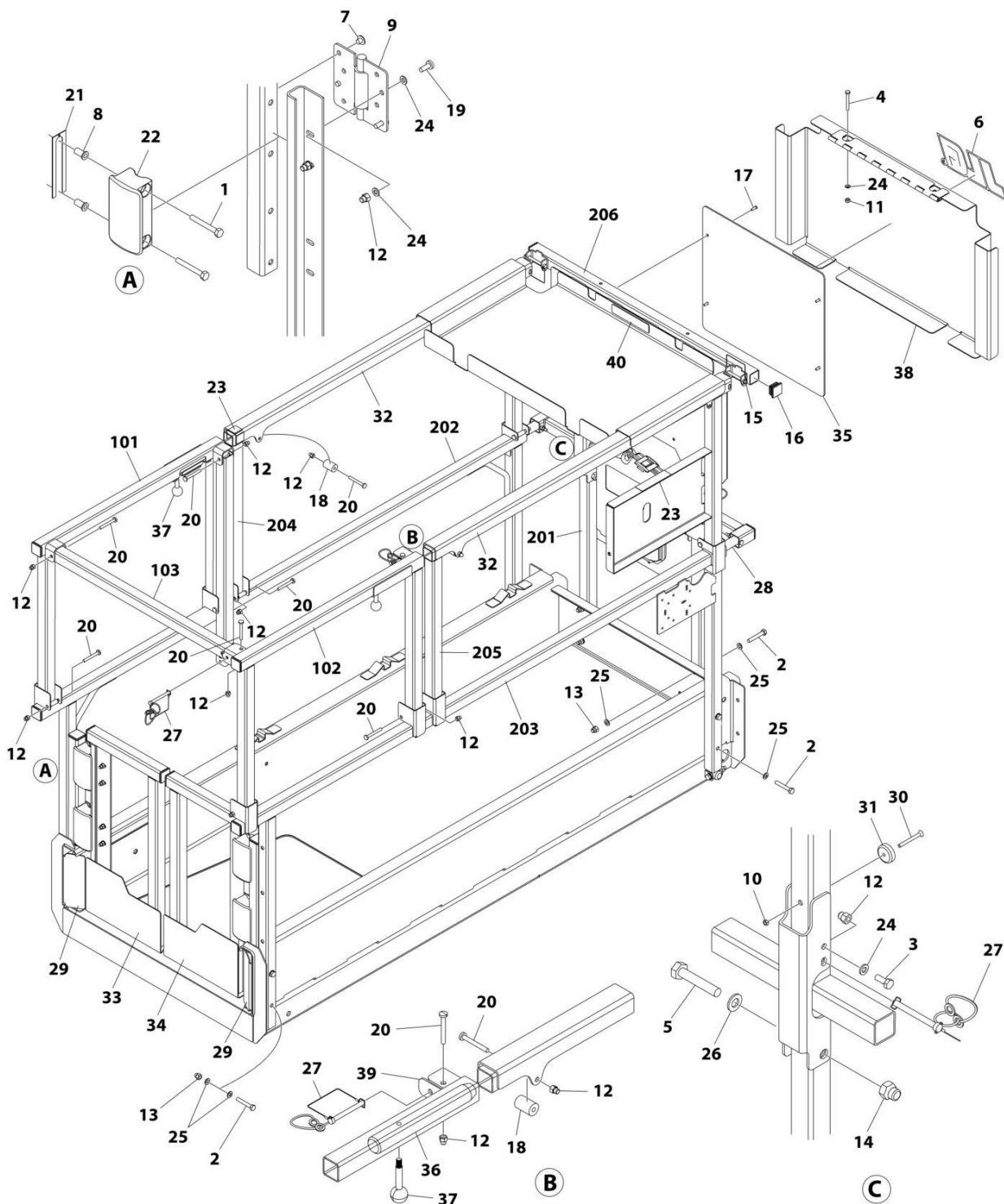
## SECTION 4 - PLATFORM

**FIGURE 4-9. RAILS INSTALLATION - FOLD-DOWN RAILS/GATE ENTRY (OUTSIDE TUBE SLIDER)**

ITEM	PART NUMBER	QTY	DESCRIPTION	REV
	1001229722	Ref	RAILS INSTALLATION - FOLD-DOWN RAILS/GATE ENTRY	D
1	0100011	AR	Compound, Locking	
2	0700818	AR	Bolt M8 x 50	
3	2600281	2	Hinge	
4	2080040	4	Fastener	
5	3080007	1	Magnet	
6	3290606	23	Nut M6	
7	3290806	15	Nut M8	
8	3520072	12	Plug	
9	4010608	5	Screw M6 x 16	
10	4010617	16	Screw M6 x 45	
11	4010618	2	Screw M6 x 50	
12	4420062	15 in/ 37cm	Tape	
13	4811700	13	Washer M6	
14	4811900	30	Washer M8	
15	4811902	4	Washer M8	
16	1001154378	1	Bracket	
17	1001187587	6	Pin	
18	1001210302	1	Gate	
19	1001210586	1	Plate, Gate Support	
20	1001210963	2	Cover (LH)	
21	1001232257	2	Brace	
22	0700820	AR	Bolt M8 x 60	
100	1001229723	1	Rail (Not Shown)	
101	1001210442	1	Rail (Side Lower Right)	
102	1001210444	1	Rail (Side Lower Left)	
103	1001210458	1	Rail (Rear Top)	
104	1001223835	2	Rail (Side Top)	
105	1001231405	1	Rail (Extention Front Lower)	
106	1001229732	1	Rail (Extention Front Upper)	
107	1001229733	1	Rail (Extention Upper Right)	
108	1001229734	1	Rail (Extention Upper Left)	
109	1001229739	1	Rail (Rear Upper Right)	
110	1001229740	1	Rail (Rear Upper Left)	
111	1001229741	1	Rail (Front Upper Right)	
112	1001229742	1	Rail (Front Upper Left)	
113	1001230248	1	Rail (Extention Side Lower Left)	
114	1001230249	1	Rail (Extention Side Lower Right)	

# SECTION 4 - PLATFORM

## FIGURE 4-10. RAILS INSTALLATION – FOLD-DOWN RAILS/GATE ENTRY (NARROW ACCESS)



ART\_1001249082

## SECTION 4 - PLATFORM

**FIGURE 4-10. RAILS INSTALLATION – FOLD-DOWN RAILS/GATE ENTRY (NARROW ACCESS)**

ITEM	PART NUMBER	QTY	DESCRIPTION	REV
	1001249082	Ref	RAILS INSTALLATION - FOLD-DOWN RAILS/GATE ENTRY	C
1	0641416	8	Bolt 1/4 x 2	
2	0700818	12	Bolt M8 x 50	
3	0760608	2	Bolt M6 x 16	
4	0760618	2	Bolt M6 x 50	
5	0761019	2	Bolt M10 x 55	
6	1001256675	1	Decal - JLG	
7	2080040	8	Fastener	
8	2080043	8	Rivnut	
9	2600281	4	Hinge	
10	3290501	2	Nut M5	
11	3290605	2	Nut M6	
12	3290606	26	Nut M6	
13	3290806	8	Nut M8	
14	3291006	2	Nut M10	
15	3422219	2	Pin	
16	3520072	16	Plug	
17	3820032	4	Rivet	
18	3860111	2	Roller	
19	4010608	8	Screw M6 x 16	
20	4010618	16	Screw M6 x 50	
21	4071095	AR	Shim	
22	4220309	4	Stop	
23	4420062	1.5 ft /0.46m	Tape	
24	4811700	20	Washer M6	
25	4811900	20	Washer M8	
26	4812000	2	Washer M10	
27	1001187587	4	Pin	
28	1001206226	2	Rod	
29	1001210963	2	Cover (LH)	
30	1001234395	2	Bolt M5 x 50	
31	1001243528	2	Magnet	
32	1001249114	2	Rail (Upper Slide)	
33	1001251383	1	Gate (Right)	
34	1001251388	1	Gate (Left)	
35	1001254825	1	Panel	
36	1001256471	2	Rail (Platform Extension)	
37	1001257890	2	Knob	
38	1001258528	1	Plate	
39	1001258704	2	Bracket	
40	1001261040	1	Decal - Max Capacity	
100	1001258617	1	Rail Narrow Access Kit (Not Shown)	A
101	1001249109	1	Rail (Upper Left)	
102	1001249111	1	Rail (Upper Right)	
103	1001258620	2	Tube (Drop Bar)	
200	1001258618	1	Rail Narrow Access Kit (Not Shown)	A
201	1001210446	1	Rail (Lower Extension)	
202	1001249096	1	Rail (Lower Left)	
203	1001249107	1	Rail (Lower Right)	

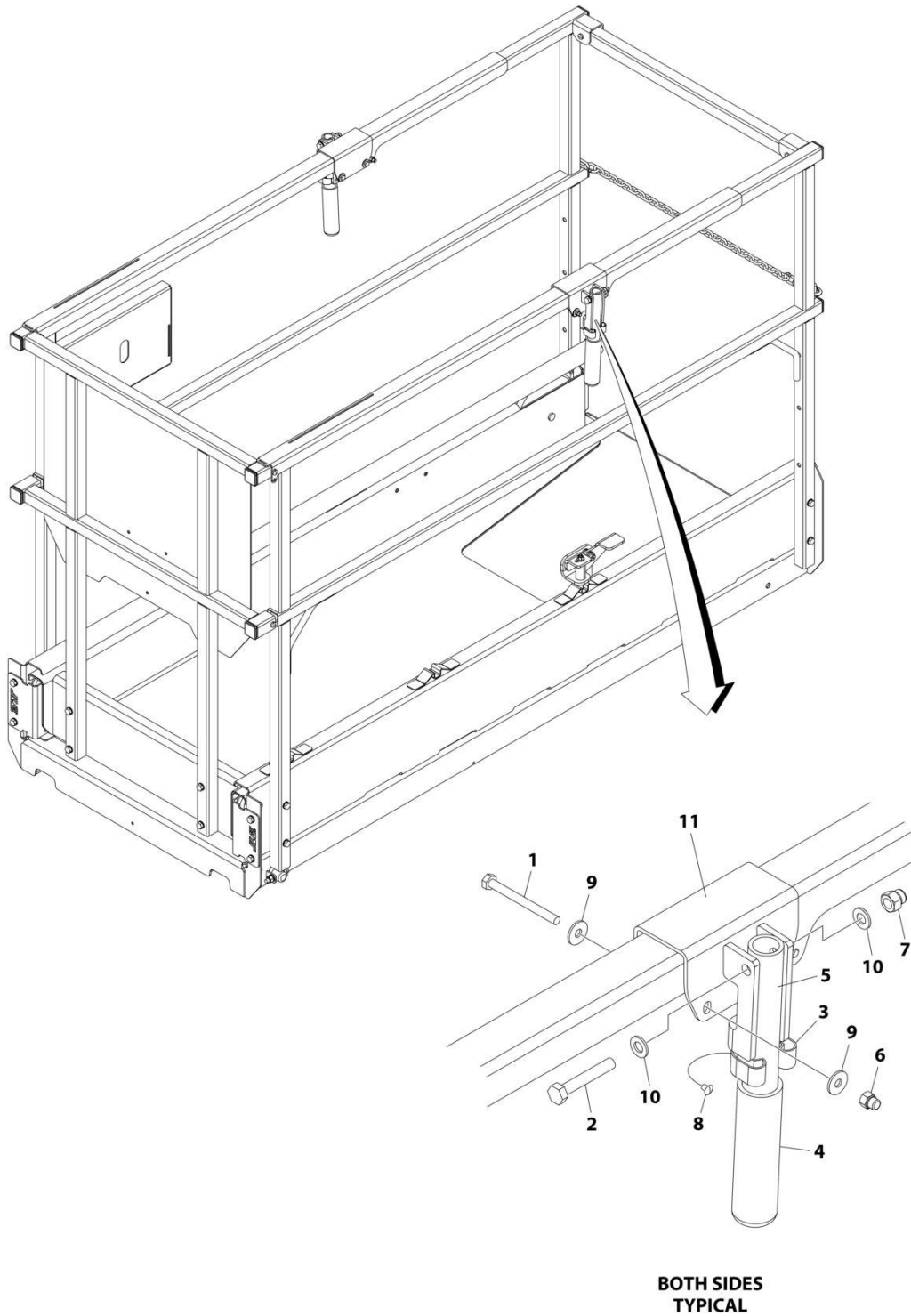
## SECTION 4 - PLATFORM

ITEM	PART NUMBER	QTY	DESCRIPTION	REV
204	1001249110	1	Rail (Upper Left)	
205	1001249112	1	Rail (Upper Right)	
206	1001258411	1	Rail (Upper Extension)	



# SECTION 4 - PLATFORM

## FIGURE 4-11. HANDLE EXTENSION INSTALLATION (OPTIONAL)



ART\_1001222587



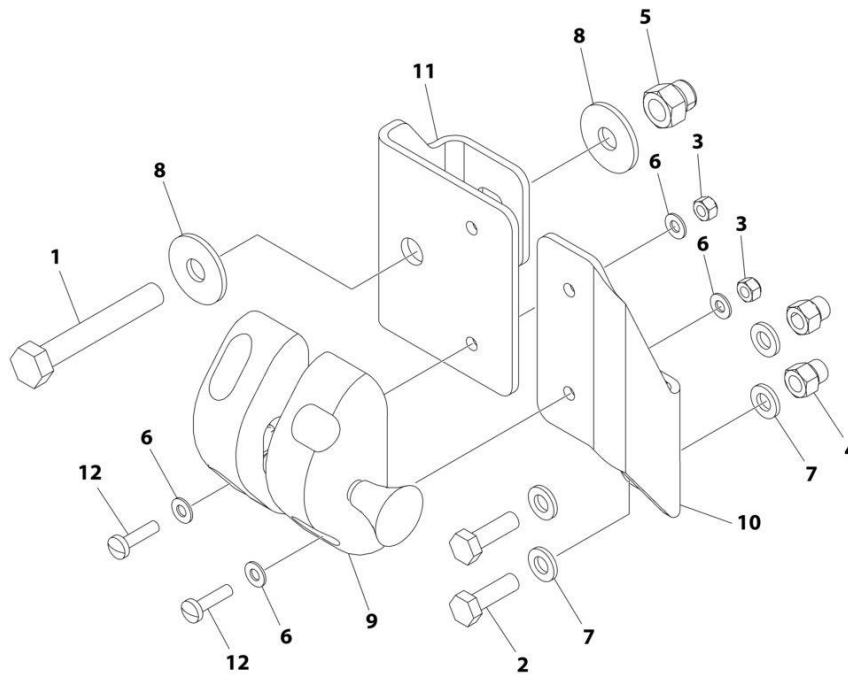
**SECTION 4 - PLATFORM**

**FIGURE 4-11. HANDLE EXTENSION INSTALLATION (OPTIONAL)**

ITEM	PART NUMBER	QTY	DESCRIPTION	REV
	1001222587	Ref	HANDLE EXTENSION INSTALLATION (OPTIONAL)	B
1	0700621	4	Bolt M6 x 65	
2	0700818	2	Bolt M8 x 50	
3	1380132	2	Clip	
4	2560088	2	Grip, Handle	
5	2560190	2	Handle	
6	3290606	2	Nut M6	
7	3290806	2	Nut M8	
8	3820019	2	Rivet	
9	4811702	8	Washer M6	
10	4811900	4	Washer M8	
11	1001216823	2	Bracket	

# SECTION 4 - PLATFORM

## FIGURE 4-12. GATE LATCH INSTALLATION - OPTIONAL



ART\_1001220995

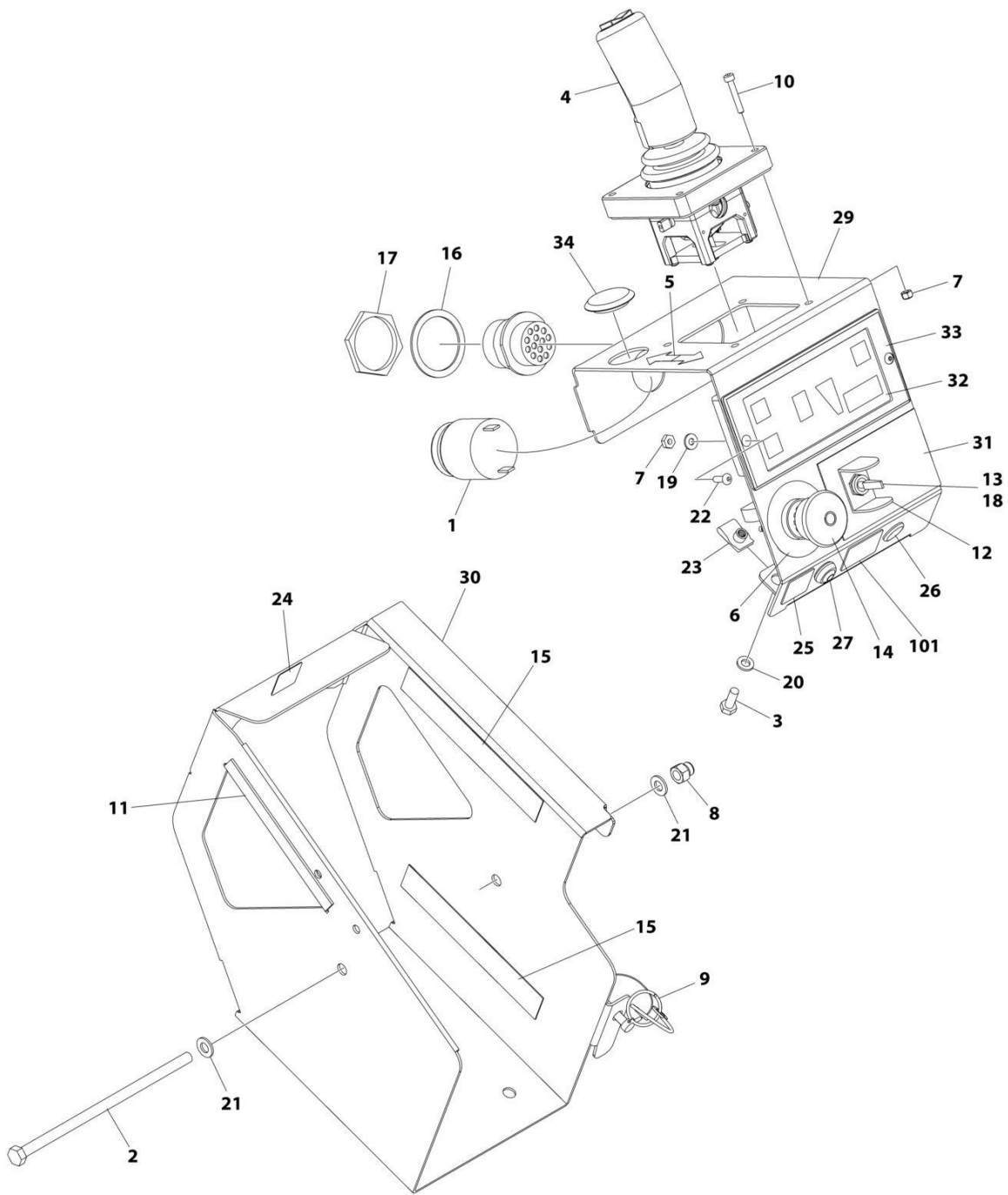
**SECTION 4 - PLATFORM**

**FIGURE 4-12. GATE LATCH INSTALLATION - OPTIONAL**

ITEM	PART NUMBER	QTY	DESCRIPTION	REV
	1001220995	Ref	GATE LATCH INSTALLATION	B
1	0700819	1	Bolt M8 x 55	
2	0760610	2	Bolt M6 x 20	
3	3290405	4	Nut M4	
4	3290606	2	Nut M6	
5	3290806	1	Nut M8	
6	4811400	8	Washer M4	
7	4811700	4	Washer M6	
8	4811902	2	Washer M8	
9	1001134821	1	Latch	
10	1001220409	1	Mount	
11	1001220410	1	Plate	
12	4010408	4	Screw M4 x 16	

# SECTION 4 - PLATFORM

## FIGURE 4-13. PLATFORM CONTROL BOX INSTALLATION - INDOOR ONLY (R1532I/R1932I)



ART\_1001253938\_C

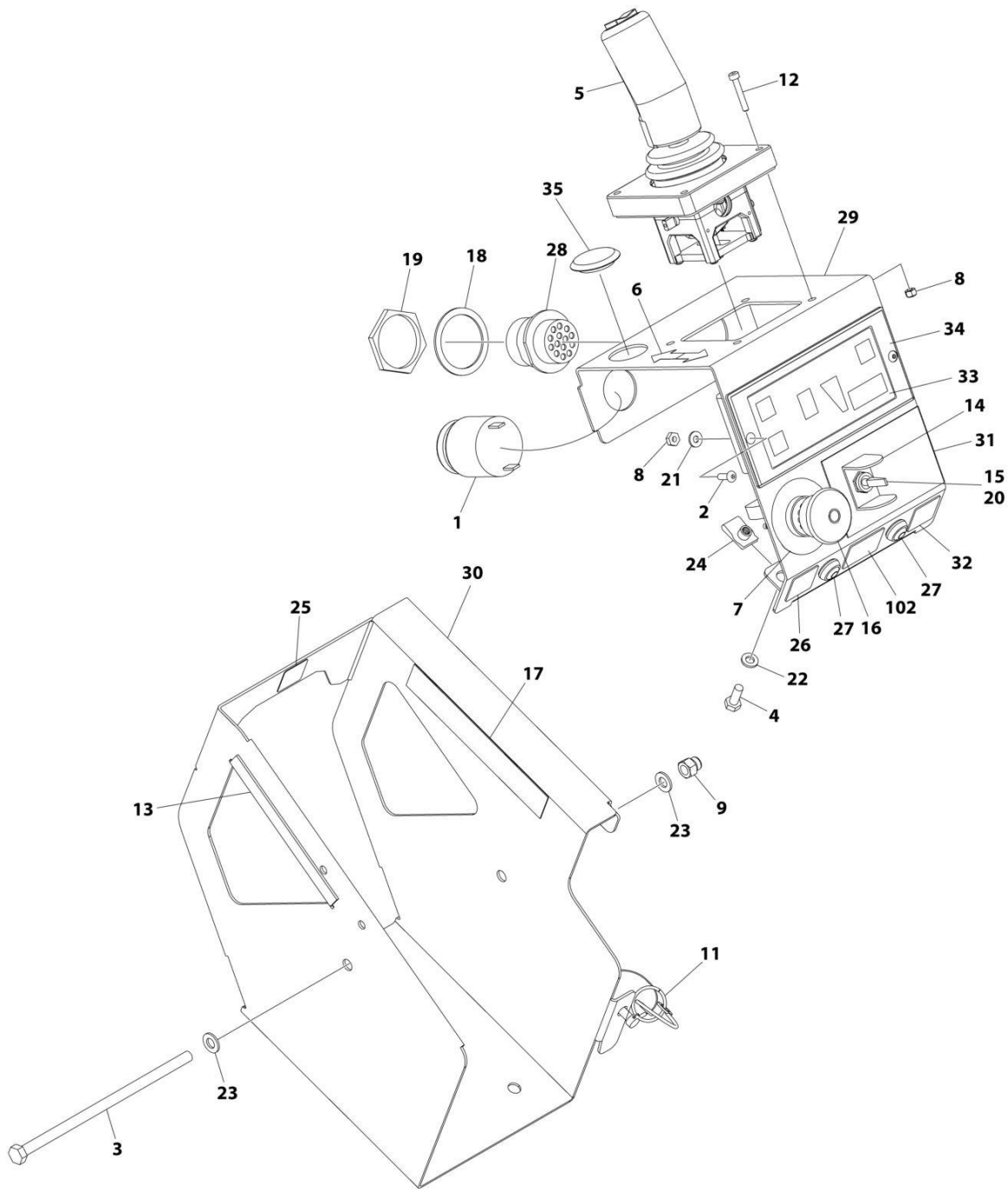
# SECTION 4 - PLATFORM

**FIGURE 4-13. PLATFORM CONTROL BOX INSTALLATION - INDOOR ONLY (R1532/R1932i)**

ITEM	PART NUMBER	QTY	DESCRIPTION	REV
	1001253938	Ref	PLATFORM CONTROL BOX INSTALLATION	C
1	0140030	1	Alarm	
2	0700835	1	Bolt M8 x 180	
3	0760610	2	Bolt M6 x 20	
4	1600402	1	Controller Assembly (See Separate Breakdown in this Section)	
5	1703819	1	Decal - Arrow	
6	1704260	1	Decal - Emergency Stop	
7	3290405	6	Nut M4	
8	3290806	1	Nut M8	
9	3423278	1	Pin, Snap with Lanyard	
10	4031509	4	Capscrew M4 x 25	
11	4060803	6 in/14cm	Flex-Trim	
12	4060906	1	Guard, Switch	
13	4360345	1	Switch, Toggle	
14	4360475	1	Switch, Emergency Stop	
14	7020175	1	Cap	
14	7020176	1	Block, Contact	
15	4420062	12 in/ 30cm	Tape	
16	4460496	1	Washer, Terminal	
17	4460497	1	Nut, Terminal	
18	4711700	1	Washer 7/16	
19	4811400	2	Washer M4	
20	4811700	2	Washer M6	
21	4811900	2	Washer M8	
22	1001047064	2	Screw M4 x 15	
23	1001130220	2	Nut, Tinnerman M6	
24	1001132358	1	Decal - Steer	
25	1001132361	1	Decal - Horn	
26	1001176626	1	Plug	
27	1001200633	2	Switch - Push Button	
28	1001200819	1	Platform Control Box Harness (Not Shown) (See Separate Breakdown in ELECTRICAL Section)	
29	1001262655	1	Plate, Box (Inside)	
30	1001209596	1	Plate, Box (Outside)	
31	1001213491	1	Decal - Lift/Drive Function	
32	1001218285	1	Decal - Platform Control	
33	1001228112	1	Module, Platform Control	
34	1001262221	1	Plug	
		Ref	PLATFORM CONTROL BOX INSTALLATION	A
101	1001219173	1	Decal - Model Number	

# SECTION 4 - PLATFORM

## FIGURE 4-14. PLATFORM CONTROL BOX INSTALLATION (R1932)



ART\_1001236880\_F

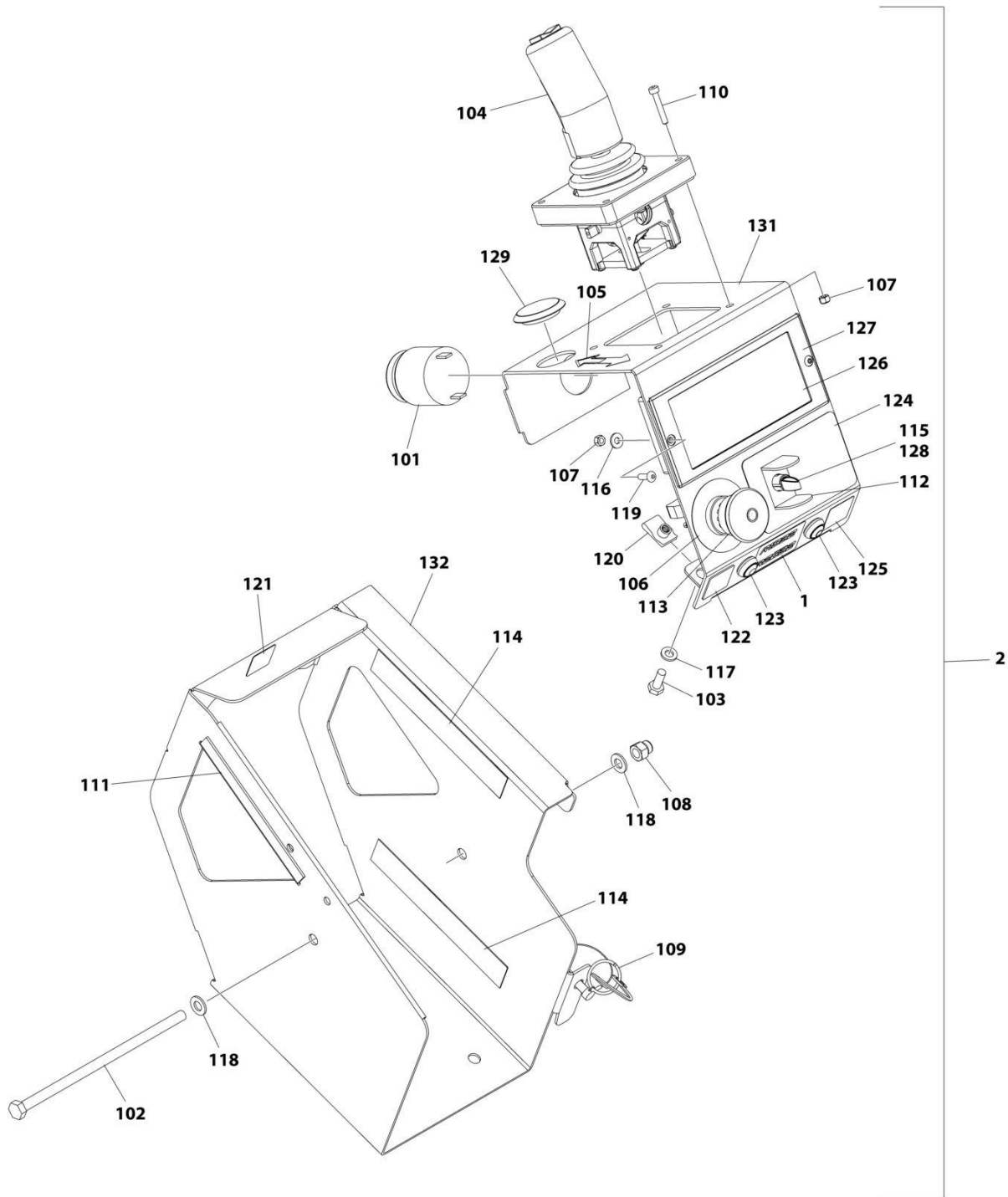
## SECTION 4 - PLATFORM

**FIGURE 4-14. PLATFORM CONTROL BOX INSTALLATION (R1932)**

ITEM	PART NUMBER	QTY	DESCRIPTION	REV
	1001236880	Ref	PLATFORM CONTROL BOX INSTALLATION	F
1	0140030	1	Alarm	
2	1001047064	2	Screw	
3	0700835	1	Bolt M8 x 180	
4	0760610	2	Bolt M6 x 20	
5	1600402	1	Controller Assembly (See Separate Breakdown in this Section)	
6	1703819	1	Decal - Arrow	
7	1704260	1	Decal - Emergency Stop	
8	3290405	6	Nut M4	
9	3290806	1	Nut M8	
11	3423278	1	Pin, Snap with Lanyard	
12	4031509	4	Capscrew M4 x 25	
13	4060803	6 in/14cm	Flex-Trim	
14	4060906	1	Guard, Switch	
15	1001258446	1	Switch, Toggle	
16	4360475	1	Switch, Emergency Stop	
16	7020175	1	Cap	
16	7020176	1	Block, Contact	
17	4420062	12 in/ 30cm	Tape	
18	4460496	1	Washer, Terminal	
19	4460497	1	Nut, Terminal	
20	4711700	1	Washer 7/16	
21	4811400	2	Washer M4	
22	4811700	2	Washer M6	
23	4811900	2	Washer M8	
24	1001130220	2	Nut, Tinnerman M6	
25	1001132358	1	Decal - Steer	
26	1001132361	1	Decal - Horn	
27	1001200633	2	Switch, Push Button	
28	1001200819	1	Platform Control Box Harness (Not Shown) (See Separate Breakdown in ELECTRICAL SECTION)	
29	1001209595	1	Plate, Box (Inside)	
29	1001262655	1	Plate, Box (Inside)	
30	1001209596	1	Plate, Box (Outside)	
31	1001213491	1	Decal - Lift/Drive Function	
32	1001213886	1	Decal - Indoor/Outdoor	
33	1001218285	1	Decal - Platform Control	
34	1001228112	1	Module, Platform Control	
35	1001262221	1	Plug	
	1001224868	Ref	PLATFORM CONTROL BOX INSTALLATION	E
102	1001258661	1	Decal - R1932	

# SECTION 4 - PLATFORM

## FIGURE 4-15. PLATFORM CONTROL BOX INSTALLATION (R1932) (NOBLE)



ART\_1001270901



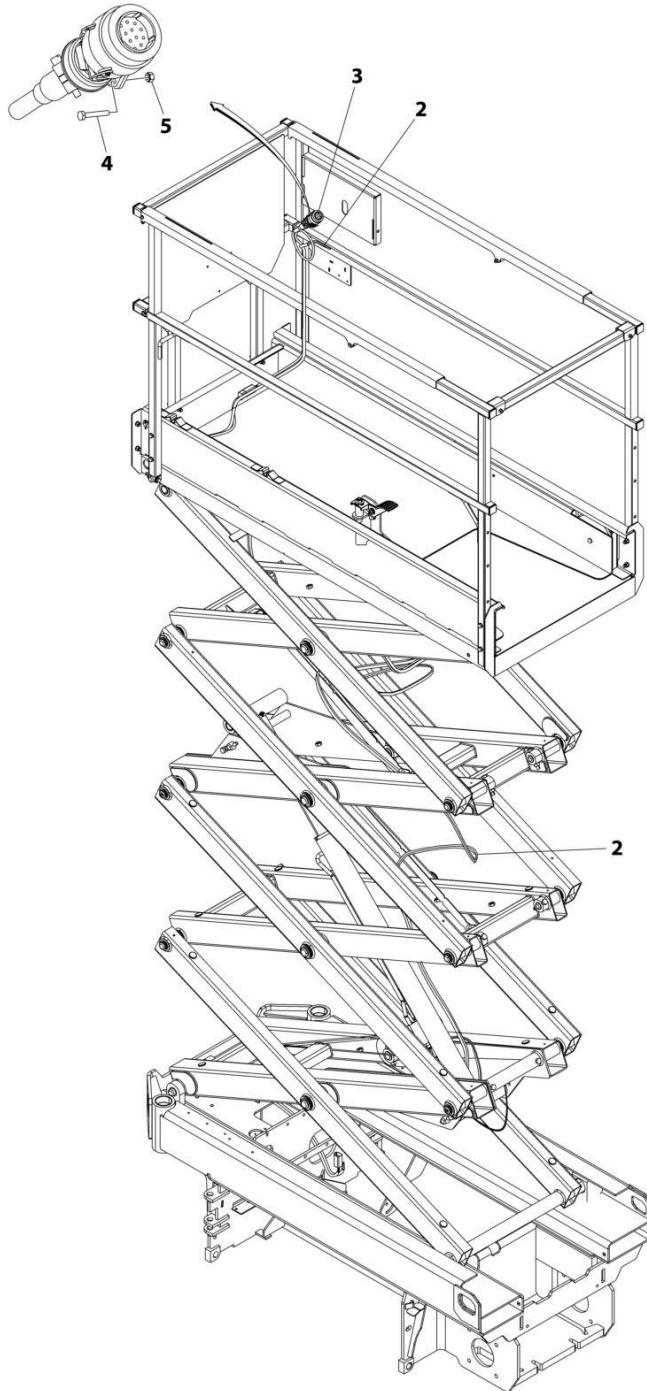
## SECTION 4 - PLATFORM

**FIGURE 4-15. PLATFORM CONTROL BOX INSTALLATION (R1932) (NOBLE)**

ITEM	PART NUMBER	QTY	DESCRIPTION	REV
	1001270901	1	PLATFORM CONTROL BOX INSTALLATION	A
1	1001258661	1	Decal - R1932	
2	1001270898	1	Platform Control Box Installation	
	1001270898	1	PLATFORM CONTROL BOX INSTALLATION	A
101	0140030	1	Alarm	
102	0700835	1	Bolt M8 x 180	
103	0760610	2	Bolt M6 x 20	
104	1600402	1	Controller Assembly (See Separate Breakdown in this Section)	
105	1703819	1	Decal - Arrow	
106	1704260	1	Decal - Emergency Stop	
107	3290405	6	Nut M4	
108	3290806	1	Nut M8	
109	3423278	1	Pin, Snap with Lanyard	
110	4031509	4	Capscrew M4 x 25	
111	4060803	134 mm	Flex-Trim	
112	4060906	1	Guard, Switch	
113	4360475	1	Switch, Emergency Stop	
114	4420062	300 mm	Tape	
115	4711700	1	Washer 7/16	
116	4811400	2	Washer M4	
117	4811700	2	Washer M6	
118	4811900	2	Washer M8	
119	1001047064	2	Screw M4 x 15	
120	1001130220	2	Nut, Tinnerman M6	
121	1001132358	1	Decal - Steer	
122	1001132361	1	Decal - Horn	
123	1001200633	2	Switch - Push Button	
124	1001213491	1	Decal - Lift/Drive Function	
125	1001213886	1	Decal - Indoor/Outdoor	
126	1001218285	1	Decal - Platform Control	
127	1001228112	1	Module, Platform Control	
128	1001258446	1	Switch, Toggle	
129	1001262221	1	Plug	
130	1001269999	1	Platform Control Box Harness (Not Shown) (See Separate Breakdown in ELECTRICAL Section)	
131	1001270470	1	Plate, Box (Inside)	
132	1001270471	1	Plate, Box (Outside)	

## SECTION 4 - PLATFORM

FIGURE 4-16. GROUND TO PLATFORM CABLE INSTALLATION - R1932 WITHOUT PLATFORM COIL CABLE (NOBLE)



ART\_1001270899

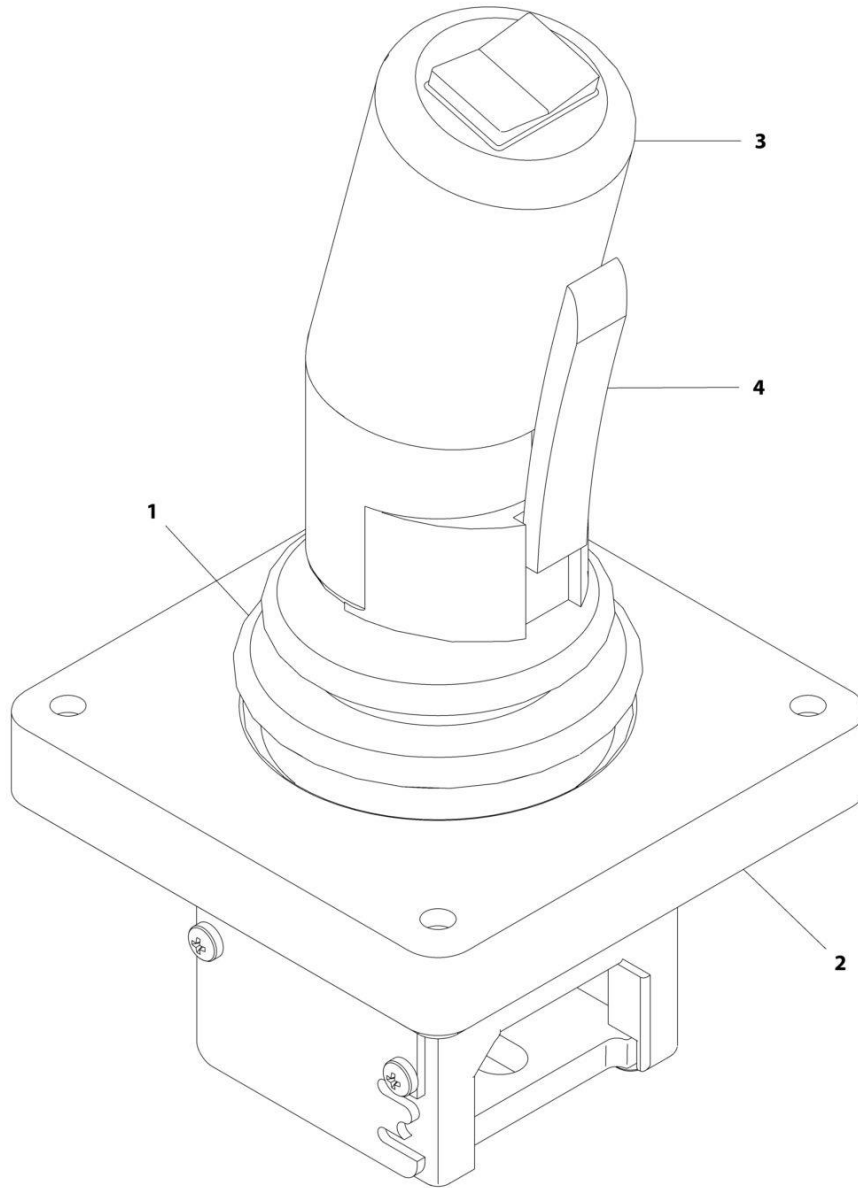
**SECTION 4 - PLATFORM**

**FIGURE 4-16. GROUND TO PLATFORM CABLE INSTALLATION - R1932 WITHOUT PLATFORM COIL CABLE (NOBLE)**

ITEM	PART NUMBER	QTY	DESCRIPTION	REV
	1001270899	Ref	GROUND TO PLATFORM CABLE INSTALLATION	B
1	4240017	AR	Tie-Strap (Not Shown)	
2	1001200811	1	Cable Assembly - Ground to Platform	
2	4460894	1	Plug, Male - 6 Position (To Platform Harness Item 4)	
2	4460465	4	Socket, Female	
2	4460944	2	Socket, Female	
2	4460899	1	Receptacle, Female - 6 Position (To Chassis Harness)	
2	4460464	4	Pin, Male	
2	4460943	2	Pin, Male	
3	1001270443	1	Platform Harness	
3	4460899	1	Receptacle, Female - 6 Position (To Item 3)	
3	4460464	4	Pin, Male	
3	4460943	2	Pin, Male	
3	1001269947	1	Connector - 14 Position (To Console Box)	
3	1001269944	6	Socket, Female	
3	1001269949	2	Socket, Female	
4	0760310	2	Bolt M3 x 20	
5	3290305	2	Nut M3	

# SECTION 4 - PLATFORM

## FIGURE 4-17. DRIVE/STEER CONTROLLER ASSEMBLY



ART\_1600402

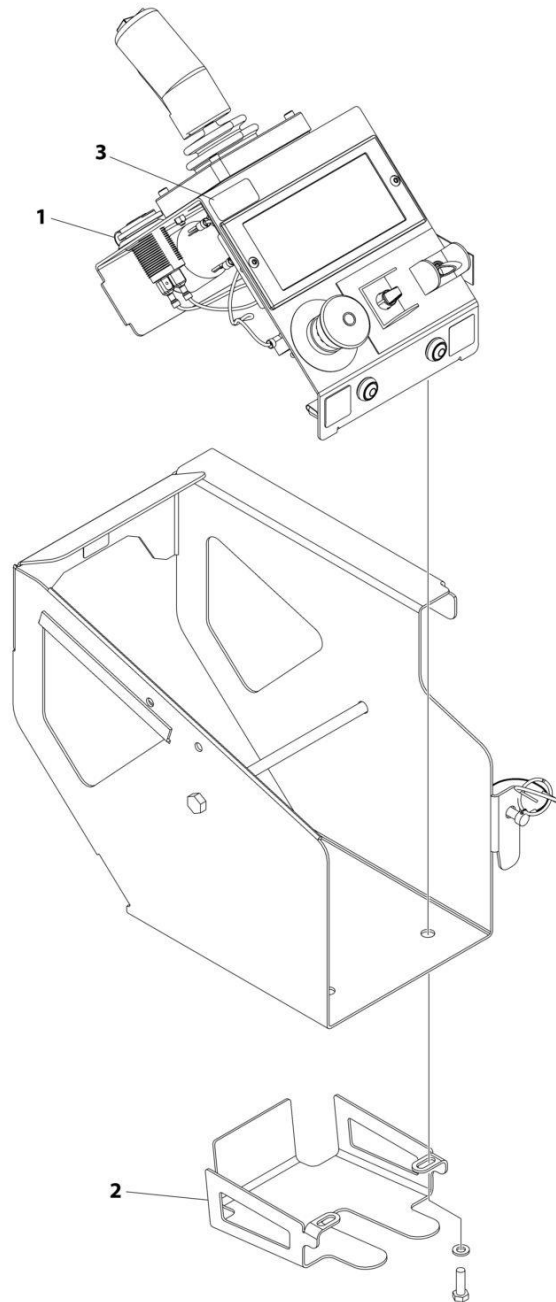
## SECTION 4 - PLATFORM

**FIGURE 4-17. DRIVE/STEER CONTROLLER ASSEMBLY**

ITEM	PART NUMBER	QTY	DESCRIPTION	REV
	1600402	Ref	DRIVE/STEER CONTROLLER ASSEMBLY	A
1	70001250	1	Boot, Panel	
2	70001252	1	Gasket, Mounting	
2	70001251	1	Bezel, Mounting	
3	70003650	1	Handle Repair Kit (Includes handle gasket, item#4 push button and item #4 lever installed in front handle half, back handle half, top actuator, boot and hardware.)	
3	70000084	1	Cap, Rubber	
3	70000082	1	Microswitch	
3	7027766	1	Ring, Retaining	
3	7027365	1	Actuator, Handle	
3	70001253	1	Gasket, Handle	
3	70000683	4	Washer, Neoprene	
3	70000685	2	Spacer, Plastic	
3	70000686	2	Screw (Top)	
3	70000684	2	Screw (Bottom)	
4	7027367	1	Switch, Push Button	
4	7027765	1	Lever, Enable	

# SECTION 4 - PLATFORM

## FIGURE 4-18. USB/PHONE CRADLE INSTALLATION



ART\_1001262150

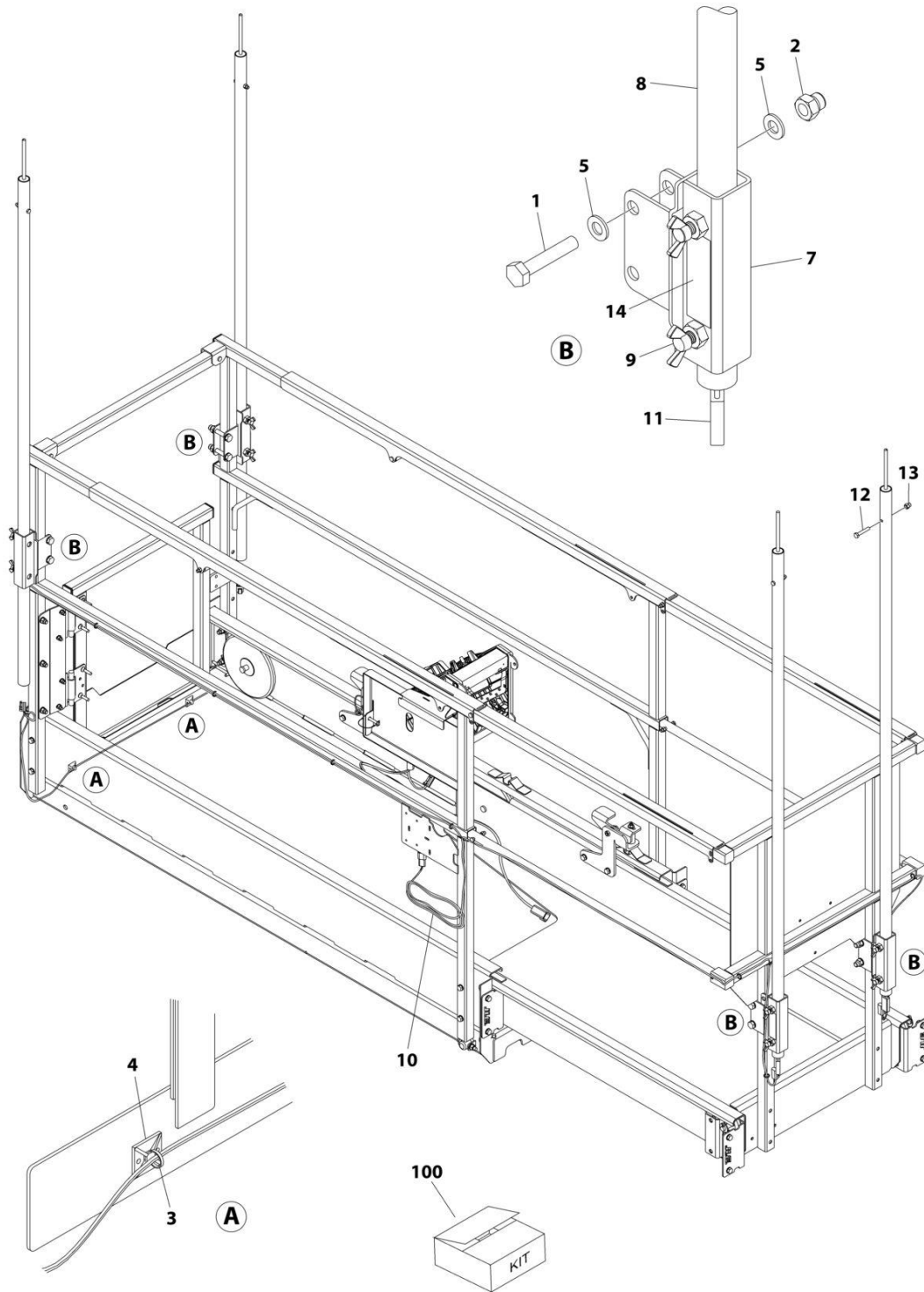
**SECTION 4 - PLATFORM**

**FIGURE 4-18. USB/PHONE CRADLE INSTALLATION**

<b>ITEM</b>	<b>PART NUMBER</b>	<b>QTY</b>	<b>DESCRIPTION</b>	<b>REV</b>
	1001262150	Ref	USB/PHONE CRADLE INSTALLATION	B
1	1001253800	1	Terminal, USB Receptacle	
2	1001261131	1	Bracket, Phone	
3	1001274168	1	Decal, USB Charge	

# SECTION 4 - PLATFORM

## FIGURE 4-19. OVERHEAD PROTECTION INSTALLATION (KOREAN SPECS)



ART\_1001220216



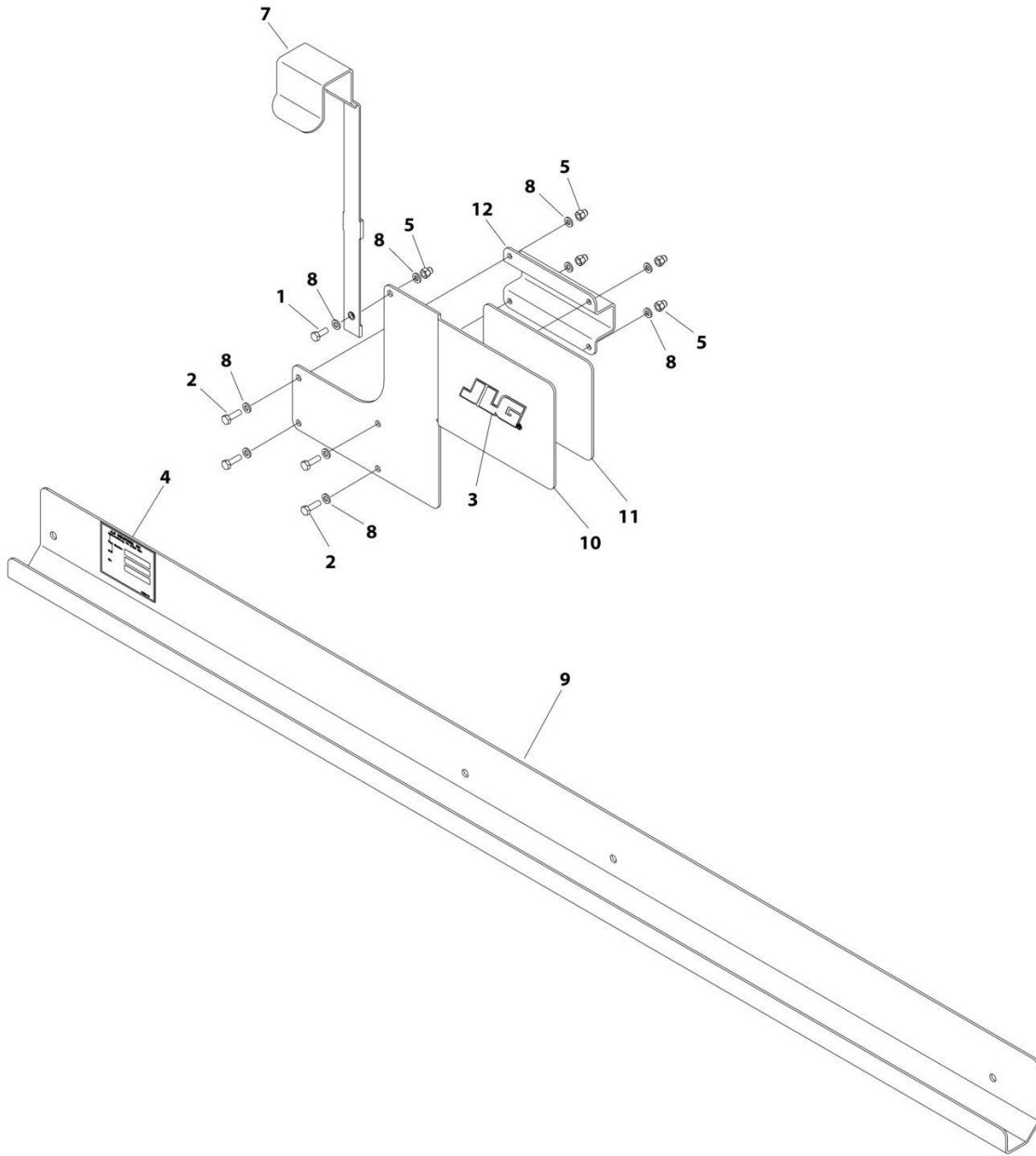
**SECTION 4 - PLATFORM**

**FIGURE 4-19. OVERHEAD PROTECTION INSTALLATION (KOREAN SPECS)**

ITEM	PART NUMBER	QTY	DESCRIPTION	REV
	1001220216	Ref	OVERHEAD PROTECTION INSTALLATION (KOREAN SPECS)	B
1	0701019	8	Bolt M10 x 55	
2	3291006	8	Nut M10	
3	4240017	AR	Tie-Strap	
4	4460234	2	Mount, Tie-Strap	
5	4812000	16	Washer M10	
7	1001221275	4	Bracket	
8	1001221276	4	Tube	
9	1001222914	8	Thumb Screw	
10	1001224468	1	Overhead Protection Harness	
10	4460891	4	Plug, Male - 2 Position (SW03-SW06)	
10	4460465	8	Socket, Female	
10	4460536	1	Receptacle, Female - 3 Position (X567)	
10	4460464	2	Pin, Male	
10	4460466	1	Plug, Terminal	
11	1001226277	4	Switch, Overhead Protection	
12	0700616	4	Bolt M6 x 40	
13	3290606	4	Nut M6	
14	1001228184	1	Decal - Overhead Protection Weight	
100	1001221244	1	Overhead Protection Kit (Includes Items 1, 2, 5-9 & 11-14)	

# SECTION 4 - PLATFORM

## FIGURE 4-20. PANEL CARRIER INSTALLATION (R1932)



ART\_1001235924

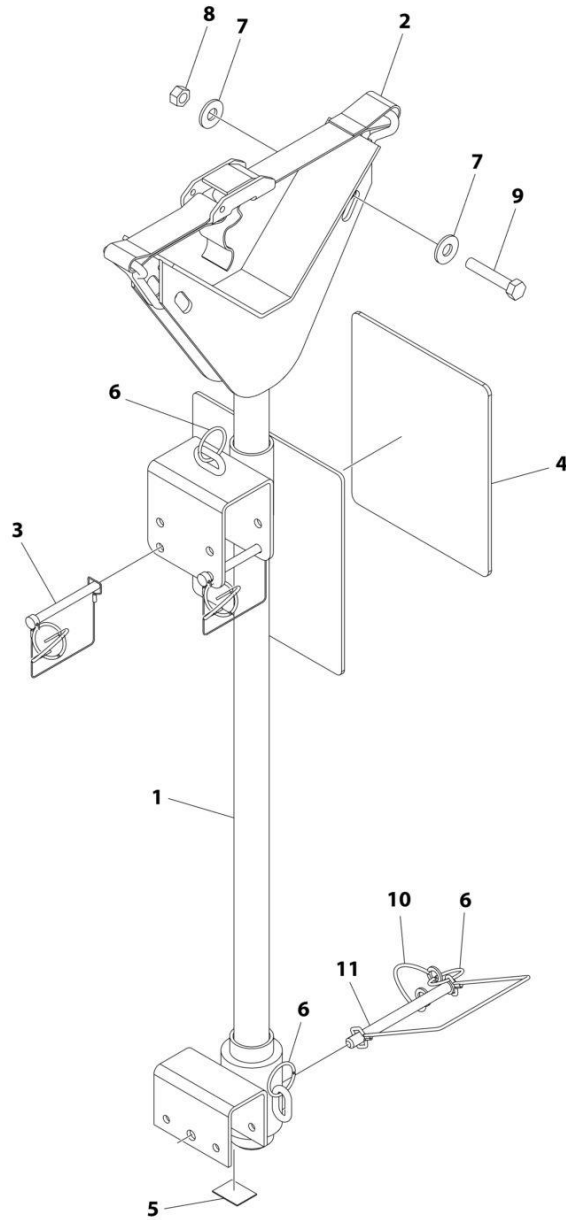
**SECTION 4 - PLATFORM**

**FIGURE 4-20. PANEL CARRIER INSTALLATION (R1932)**

ITEM	PART NUMBER	QTY	DESCRIPTION	REV
	1001235924	Ref	PANEL CARRIER INSTALLATION	B
1	0760608	1	Bolt M6 x 16	
2	0760610	4	Bolt M6 x 20	
3	1702010	1	Decal - JLG	
4	See Note	NSS	Nameplate - Accessory SN (Note: Not Available for Purchase)	
5	3290606	5	Nut M6	
6	3574505	1	Plate	
7	4240165	1	Strap	
8	4811700	10	Washer M6	
9	1001235536	1	Channel	
10	1001235863	1	Plate	
11	1001236507	1	Decal – Panel Carrier Capacity	
12	4420037	6 in /15cm	Tape	

# SECTION 4 - PLATFORM

## FIGURE 4-21. PIPE RACK INSTALLATION (R1932)



ART\_1001229469

**SECTION 4 - PLATFORM**

**FIGURE 4-21. PIPE RACK INSTALLATION (R1932)**

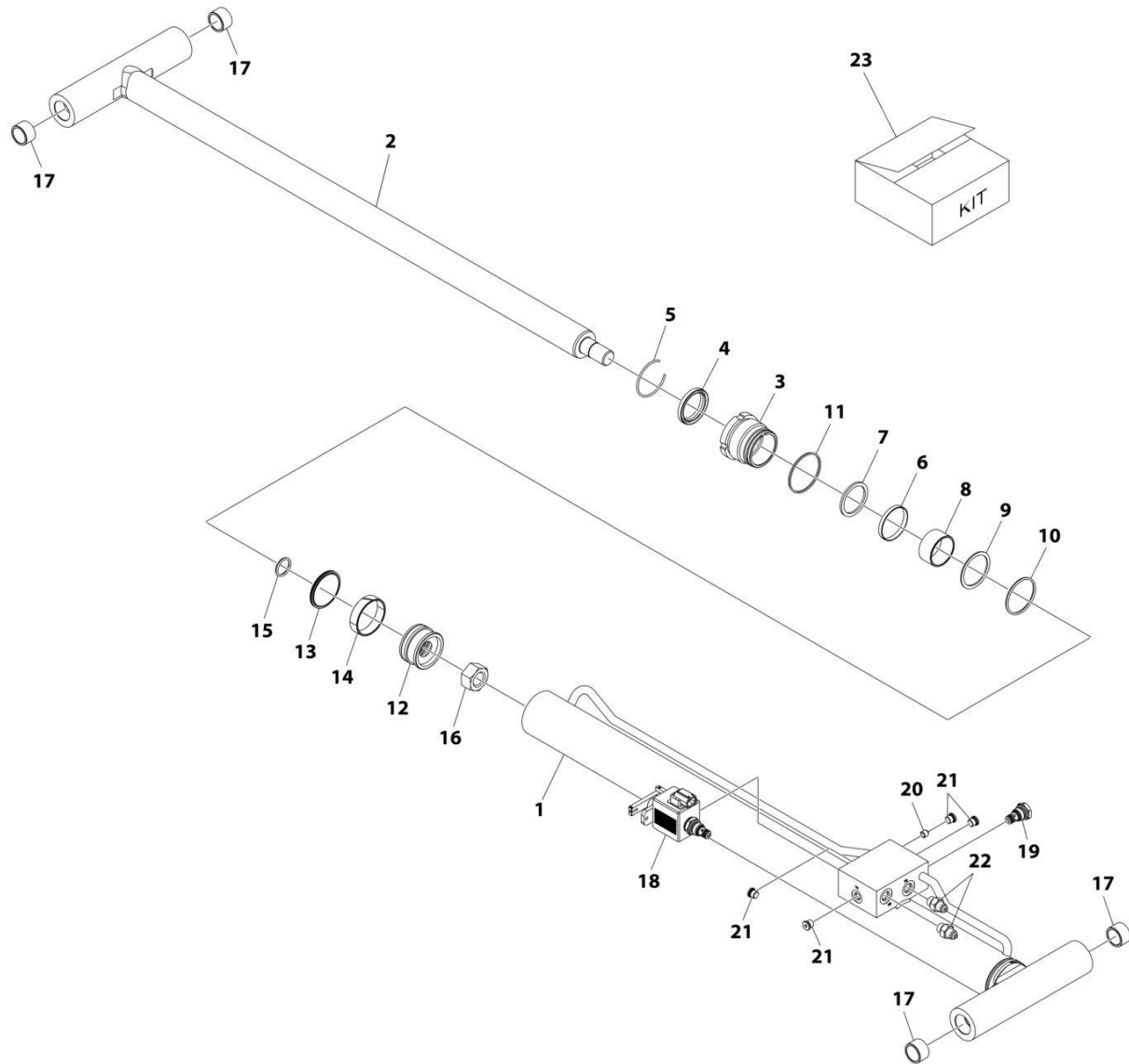
ITEM	PART NUMBER	QTY	DESCRIPTION	REV
	1001229469	Ref	PIPE RACK INSTALLATION	A
1	1001199189	2	Rack Pipe	
2	0480100	2	Tie-Strap	
3	1001187587	4	Pin	
4	1001229441	2	Decal - Pipe Rack Capacity	
5	4420062	3 ft/ 1m	Tape	
6	3760170	6	Ring	
7	4751500	8	Washer 5/16	
8	3311505	4	Nut 5/16	
9	0641514	4	Bolt 5/16 x 1-3/4	
10	1060379	2	Lanyard	
11	3421854	2	Pin	



**SECTION 5 - CYLINDER**

# SECTION 5 - CYLINDER

## FIGURE 5-1. LIFT CYLINDER ASSEMBLY (MEXICO BUILT MACHINES)



ART\_1001198935



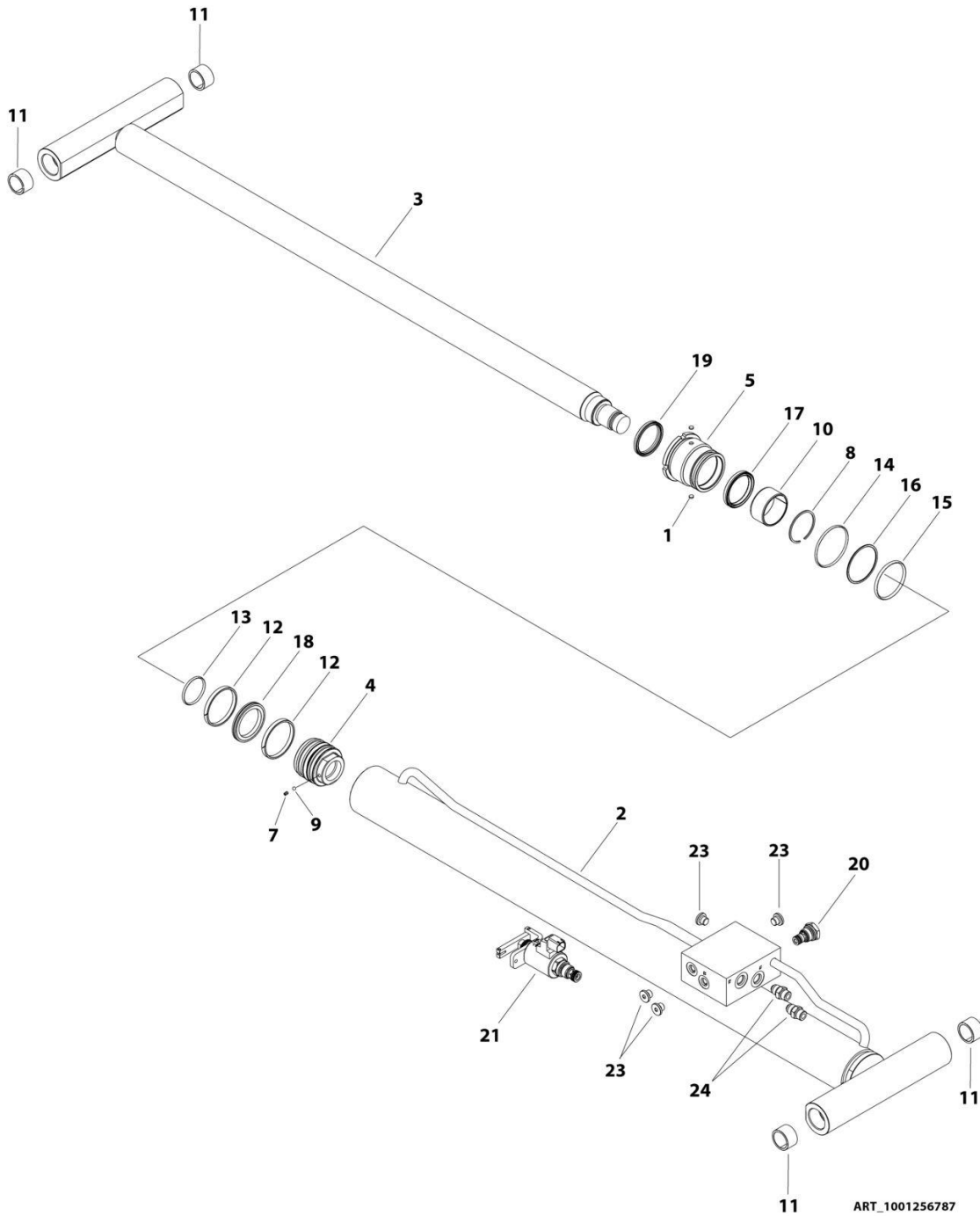
# SECTION 5 - CYLINDER

**FIGURE 5-1. LIFT CYLINDER ASSEMBLY (MEXICO BUILT MACHINES)**

ITEM	PART NUMBER	QTY	DESCRIPTION	REV
	1001198935	Ref	LIFT CYLINDER ASSEMBLY	C
1	70005790	1	Barrel	
2	70005791	1	Rod	
3	70005792	1	Head	
4	See Note	1	Wiper (Note: Use Item 23)	
5	70002410	1	Ring, Retaining	
6	See Note	1	Seal, Rod (Note: Use Item 23)	
7	See Note	1	Ring, Back-up (Note: Use Item 23)	
8	70005793	1	Spacer	
9	See Note	1	O-Ring (Note: Use Item 23)	
10	See Note	1	Ring, Back-up (Note: Use Item 23)	
11	See Note	1	O-Ring (Note: Use Item 23)	
12	70005794	1	Piston	
13	See Note	1	Seal, Piston (Note: Use Item 23)	
14	See Note	1	Ring, Wear (Note: Use Item 23)	
15	See Note	1	O-Ring (Note: Use Item 23)	
16	70005796	1	Nut	
17	0962292	4	Bearing	
18	70004233	1	Valve, Manual Descent	
19	70004232	1	Valve, Check	
20	70004231	1	Orifice	
21	70023370	4	Plug	
22	70005795	2	Fitting, Straight JIC	
23	70005797	1	Seal Kit - Cylinder (Includes Items 4, 6, 7, 9-11 & 13-15)	

# SECTION 5 - CYLINDER

## FIGURE 5-2. LIFT CYLINDER ASSEMBLY (CHINA BUILT MACHINES)



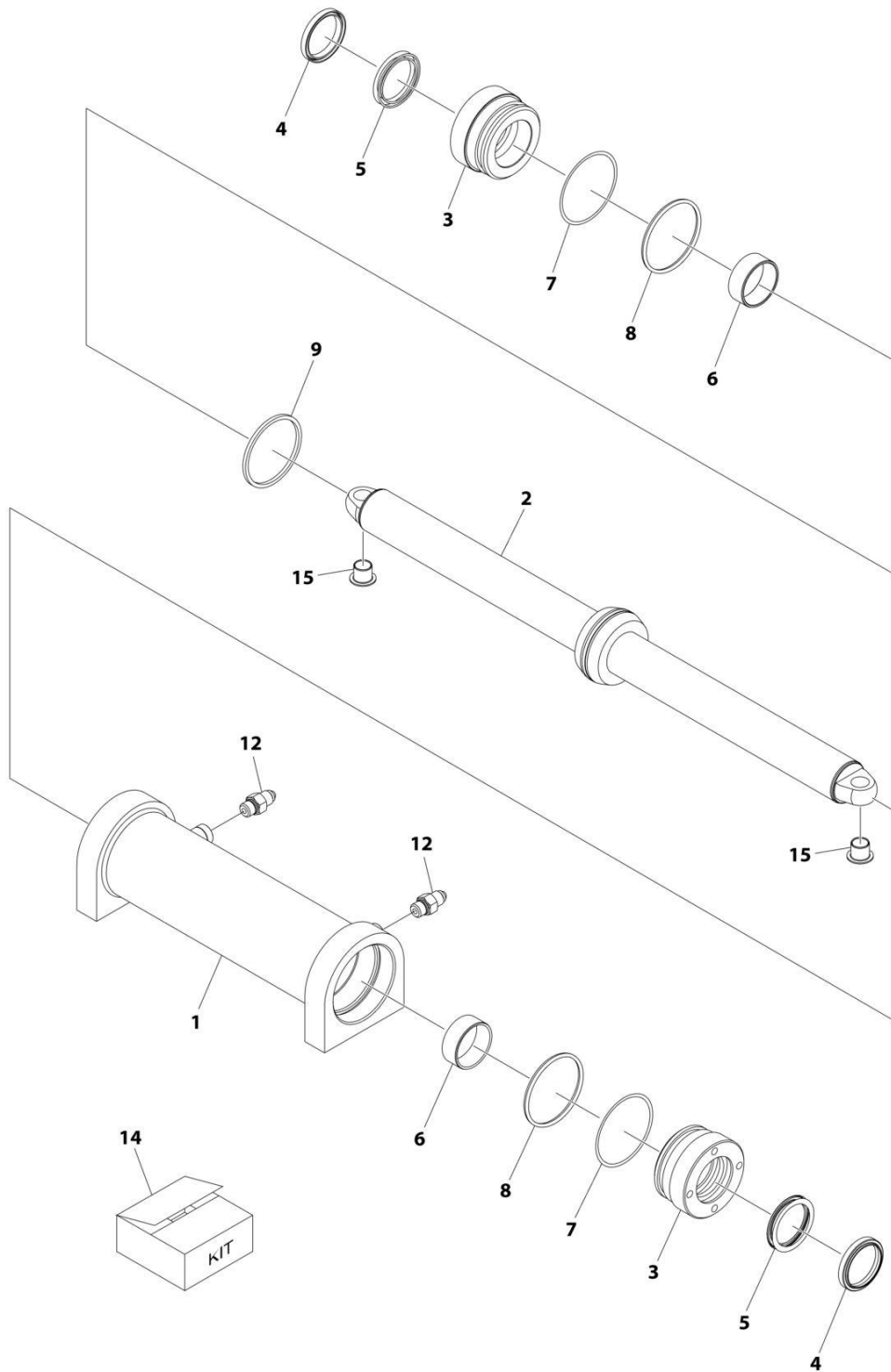
## SECTION 5 - CYLINDER

**FIGURE 5-2. LIFT CYLINDER ASSEMBLY (CHINA BUILT MACHINES)**

ITEM	PART NUMBER	QTY	DESCRIPTION	REV
	1001256787	Ref	LIFT CYLINDER ASSEMBLY	A
1	70003636	2	Lock	
2	See Note	NSS	Barrel (Note: Purchase Complete Assembly)	
3	70007572	1	Rod	
4	70007573	1	Piston	
5	70007574	1	Head	
6	70007575	1	Plug	
7	See Note	1	Setscrew (Note: Use Item 23)	
8	70007576	1	Ring, Retaining	
9	See Note	1	Ball, Steel (Note: Use Item 50)	
10	70007577	1	Bearing	
11	0962292	4	Bearing	
12	See Note	1	Ring, Wear (Note: Use Item 50)	
13	See Note	1	O-Ring (Note: Use Item 50)	
14	See Note	1	O-Ring (Note: Use Item 50)	
15	See Note	1	O-Ring (Note: Use Item 50)	
16	See Note	1	Ring, Back-up (Note: Use Item 50)	
17	See Note	1	Seal, Rod (Note: Use Item 50)	
18	See Note	1	Seal, Piston (Note: Use Item 50)	
19	See Note	1	Wiper (Note: Use Item 50)	
20	70004585	1	Cartridge, Valve	
21	70005236	1	Cartridge, Solenoid Valve	
22	70007134	2	Fitting, Straight (Not Shown)	
23	2220883	4	Plug	
24	70007135	2	Fitting, Straight	
50	70007578	1	Seal Kit - Cylinder (Includes Items 7, 9 & 12-19)	

# SECTION 5 - CYLINDER

## FIGURE 5-3. STEER CYLINDER ASSEMBLY (MEXICO BUILT MACHINES)



ART\_1001220570\_B

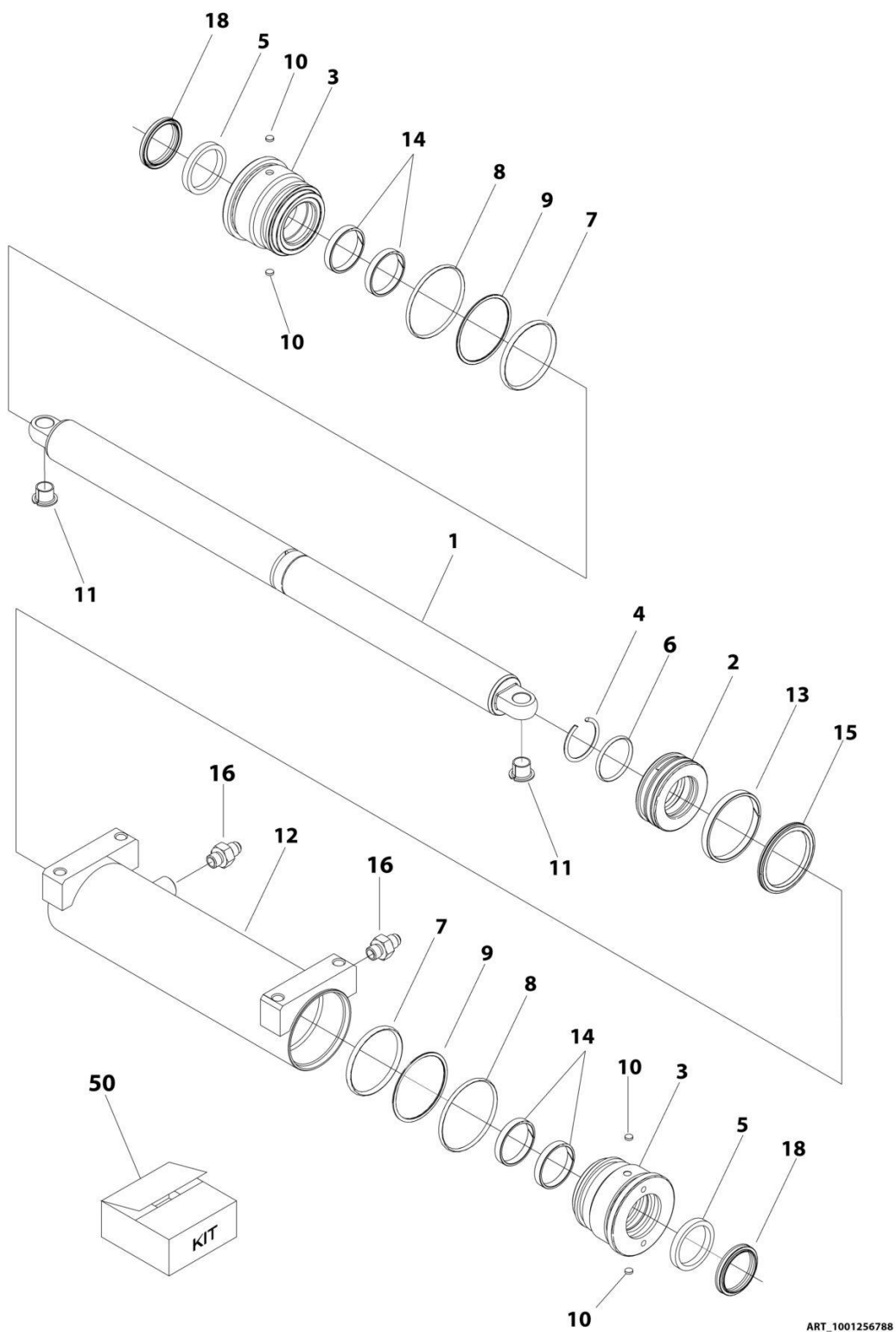
## SECTION 5 - CYLINDER

**FIGURE 5-3. STEER CYLINDER ASSEMBLY (MEXICO BUILT MACHINES)**

ITEM	PART NUMBER	QTY	DESCRIPTION	REV
	1001220570	Ref	STEER CYLINDER ASSEMBLY	B
		Ref	Note: See Usage Chart on Illustration before ordering parts.	
1	70005798	1	Barrel	
2	70006143	1	Rod	
3	70004241	2	Head	
4	See Note	NSS	Wiper (Note: Use Item 14)	
5	See Note	NSS	Seal (Note: Use Item 14)	
6	70005800	2	Spacer	
7	See Note	NSS	O-Ring (Note: Use Item 14)	
8	See Note	NSS	Ring, Back-up (Note: Use Item 14)	
9	See Note	NSS	Seal, Piston (Note: Use Item 14)	
12	70005803	2	Fitting, Straight JIC	
14	70005805	1	Seal Kit - Cylinder (Includes Items 4, 5 & 7-9)	
15	0440259	2	Bushing	

# SECTION 5 - CYLINDER

## FIGURE 5-4. STEER CYLINDER ASSEMBLY (CHINA BUILT MACHINES)



**SECTION 5 - CYLINDER**

**FIGURE 5-4. STEER CYLINDER ASSEMBLY (CHINA BUILT MACHINES)**

ITEM	PART NUMBER	QTY	DESCRIPTION	REV
	1001256788	Ref	STEER CYLINDER ASSEMBLY	A
1	70007579	1	Rod	
2	70007580	1	Piston	
3	70007581	2	Head	
4	70007077	1	Ring, Retaining	
5	See Note	2	Seal, Rod (Note: Use Item 50)	
6	See Note	1	O-Ring (Note: Use Item 50)	
7	See Note	2	O-Ring (Note: Use Item 50)	
8	See Note	2	O-Ring (Note: Use Item 50)	
9	See Note	2	Ring, Back-up (Note: Use Item 50)	
10	70003636	4	Lock	
11	0440259	2	Bearing	
12	See Note	NSS	Barrel (Note: Purchase Complete Assembly)	
13	See Note	1	Ring, Wear (Note: Use Item 50)	
14	See Note	4	Ring, Wear (Note: Use Item 50)	
15	See Note	1	Seal, Piston (Note: Use Item 50)	
16	70007079	2	Fitting	
18	See Note	2	Wiper (Note: Use Item 50)	
50	70007118	1	Seal Kit - Cylinder (Includes Items 5-9 & 12-15)	

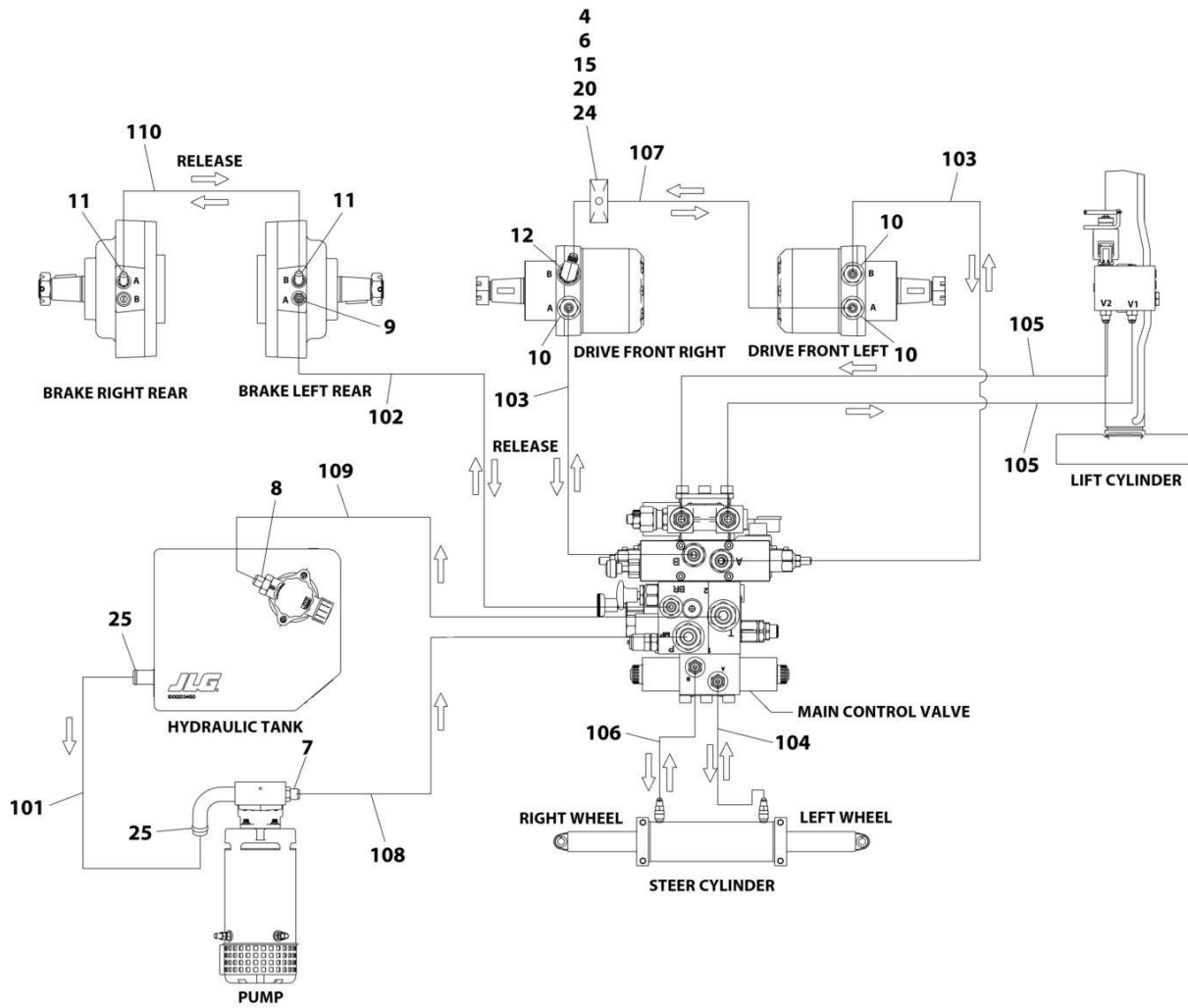




**SECTION 6 - HYDRAULIC**

# SECTION 6 - HYDRAULIC

## FIGURE 6-1. HYDRAULIC DIAGRAM



ART\_1001253358\_2OF2

## SECTION 6 - HYDRAULIC

### FIGURE 6-1. HYDRAULIC DIAGRAM

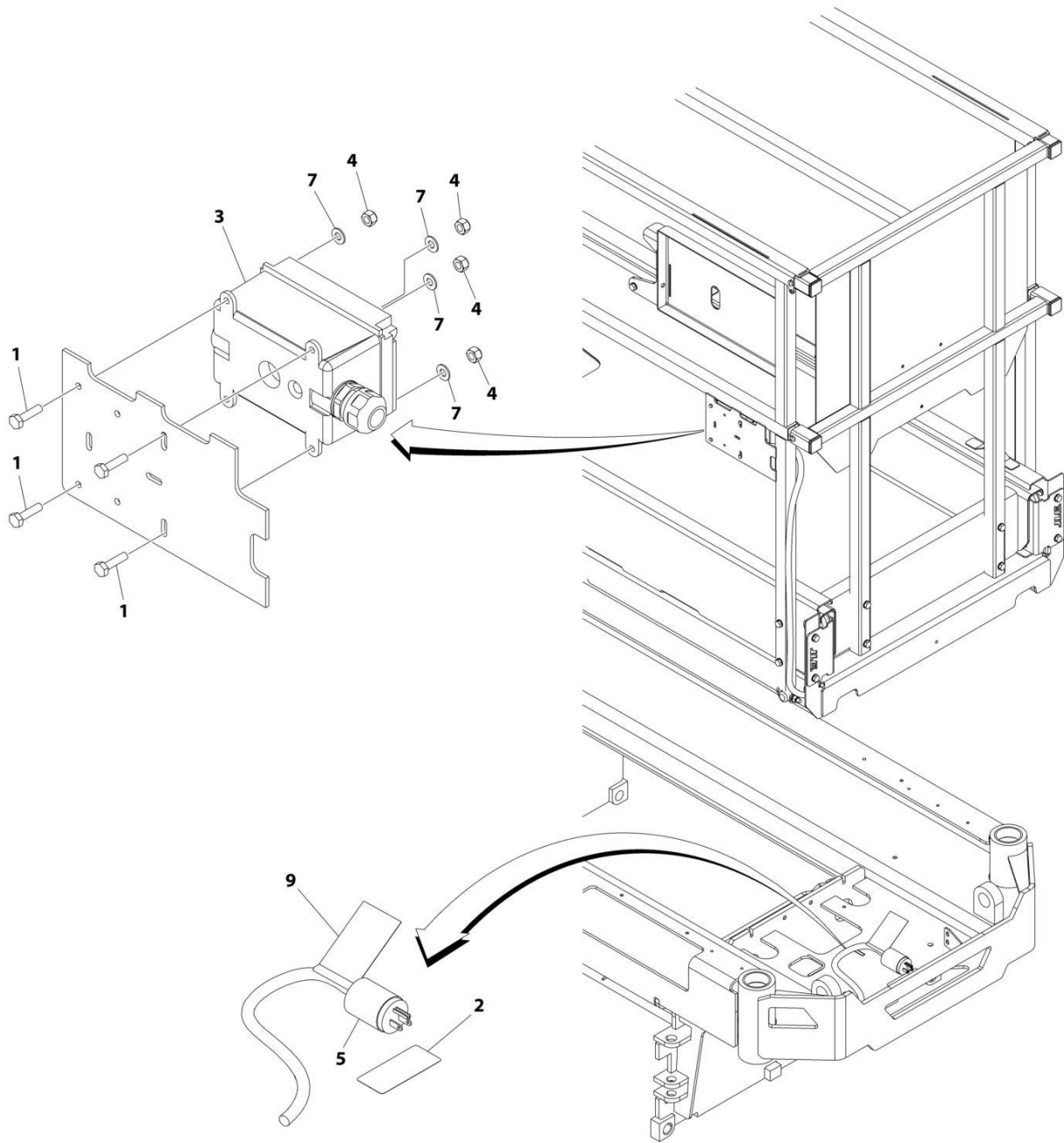
ITEM	PART NUMBER	QTY	DESCRIPTION	REV
	1001253358	Ref	HYDRAULIC DIAGRAM	B
4	0760827	1	Bolt M8 x 100	
6	1321752	2	Clamp	
7	2220373	1	Fitting, Straight JIC/ORB	
8	2220375	1	Fitting, Straight JIC/ORB	
9	2220415	1	Fitting, Straight JIC/ORB	
10	2220497	3	Fitting, Straight JIC/ORB	
11	2220502	2	Fitting, 45 JIC/ORB	
12	2220828	1	Fitting, 90 JIC/ORB	
15	3290805	2	Nut M8	
17	4240017	AR	Tie-Strap (Not Shown)	
20	4811900	2	Washer M8	
24	8750014	2	Clamp	
25	1001143501	2	Clamp	
100	1001255506	1	Hose Kit (Not Shown)	A
101	1001203835	1	Hose	
102	1001203837	1	Hose	
103	1001203838	2	Hose	
104	1001203839	1	Hose	
105	1001203840	2	Hose	
106	1001203844	1	Hose	
107	1001203846	1	Hose	
108	1001254225	1	Hose	
109	1001254226	1	Hose	
110	1001254227	1	Hose	



**SECTION 7 - ELECTRICAL**

# SECTION 7 - ELECTRICAL

FIGURE 7-1. AC BOX AT PLATFORM INSTALLATION - 110V GFI (ANSI, ANSI EXPORT, CHINA, CSA, JAPANESE AND KOREA SPECS)



ART\_1001208930

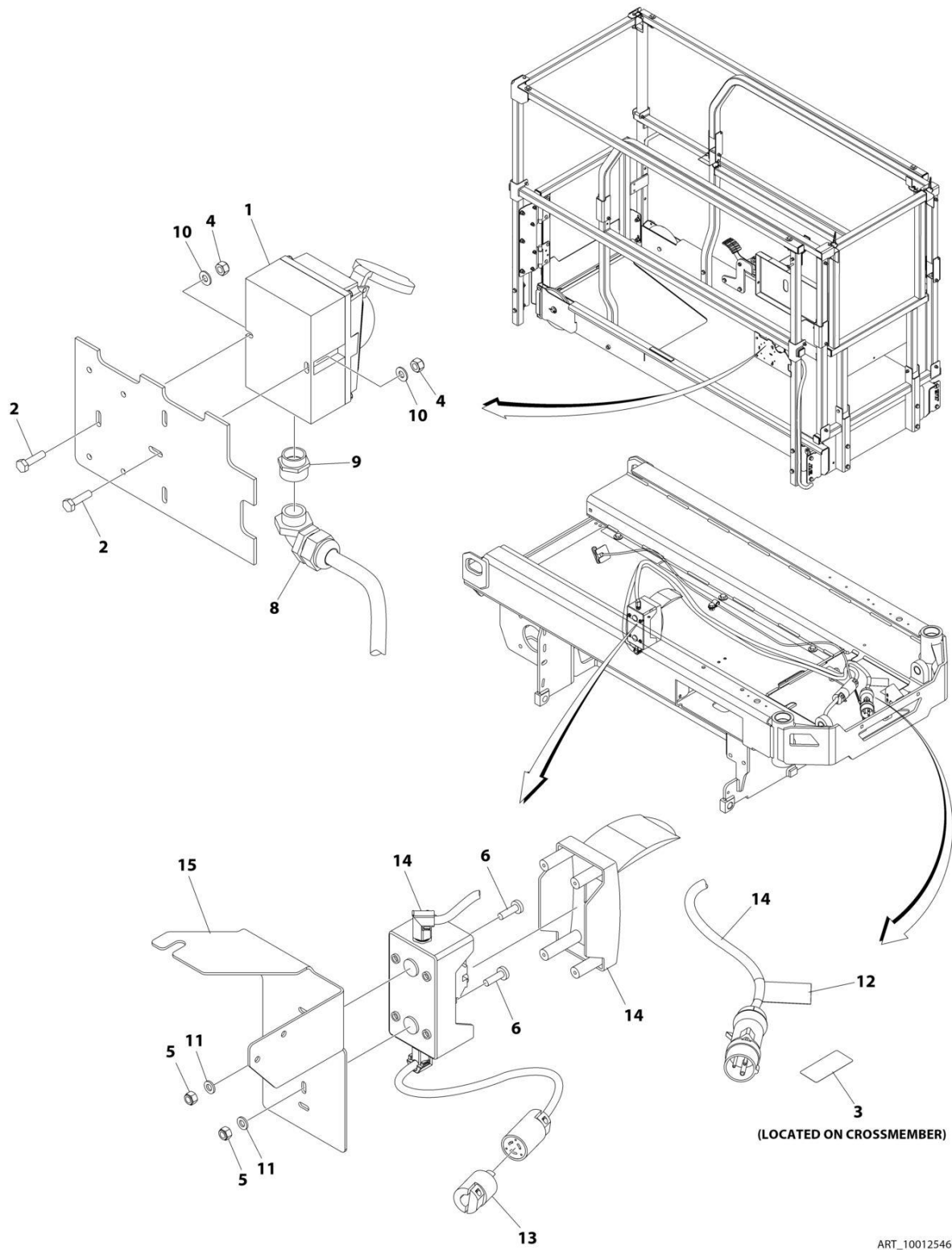
## SECTION 7 - ELECTRICAL

**FIGURE 7-1. AC BOX AT PLATFORM INSTALLATION - 110V GFI (ANSI, ANSI EXPORT, CHINA, CSA, JAPANESE AND KOREA SPECS)**

ITEM	PART NUMBER	QTY	DESCRIPTION	REV
	1001208930	Ref	AC BOX AT PLATFORM INSTALLATION - 110V GFI	C
1	0760408	4	Bolt M4 x 16	
2	1703464	1	Decal - AC Power	
3	2902431	1	Receptacle Box Kit (See Separate Breakdown in this Section)	
4	3290405	4	Nut M4	
5	4460138	1	Plug, Male - AC	
6	4460315	1	Terminal (Not Shown)	
7	4811400	4	Washer M4	
9	1001102258	1	Decal - AC Label	
10	4240017	AR	Tie-Strap (Not Shown)	

# SECTION 7 - ELECTRICAL

## FIGURE 7-2. AC BOX AT PLATFORM INSTALLATION - 110V IEC YELLOW (CE SPECS)



ART\_1001254639



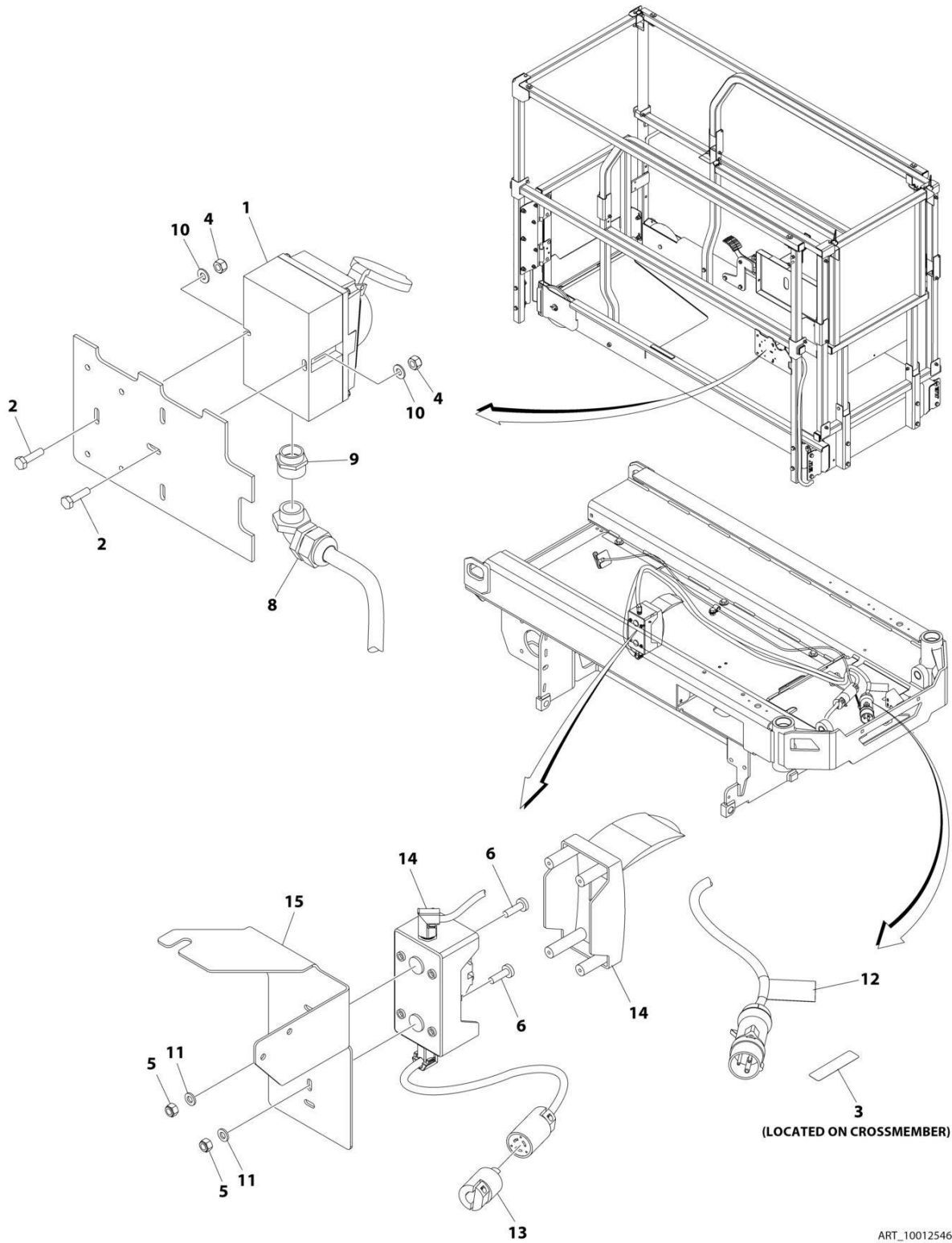
## SECTION 7 - ELECTRICAL

**FIGURE 7-2. AC BOX AT PLATFORM INSTALLATION - 110V IEC YELLOW (CE SPECS)**

ITEM	PART NUMBER	QTY	DESCRIPTION	REV
	1001254639	Ref	AC BOX AT PLATFORM INSTALLATION - 110V IEC YELLOW	A
1	0275216	1	Receptacle Box Kit - 110V IEC Yellow (See Separate Breakdown in this Section)	
2	0760408	2	Bolt M4 x 16	
3	1703464	1	Decal - AC Power	
4	3290405	2	Nut M4	
5	3290605	2	Nut M6	
6	4010610	2	Screw M6 x 20	
7	4240017	AR	Tie-Strap (Not Shown)	
8	4461257	1	Connector, Strain Relief	
9	4461258	1	Connector, Adapter	
10	4811400	2	Washer M4	
11	4811700	4	Washer M6	
12	1001102258	1	Decal - AC Label	
13	1001120204	1	Plug, Male Twist	
14	1001209776	1	Breaker Box Kit (See Separate Breakdown in this Section)	
15	1001253280	1	Bracket	

# SECTION 7 - ELECTRICAL

## FIGURE 7-3. AC BOX AT PLATFORM INSTALLATION - 220V IEC BLUE (CE SPECS)



ART\_1001254640

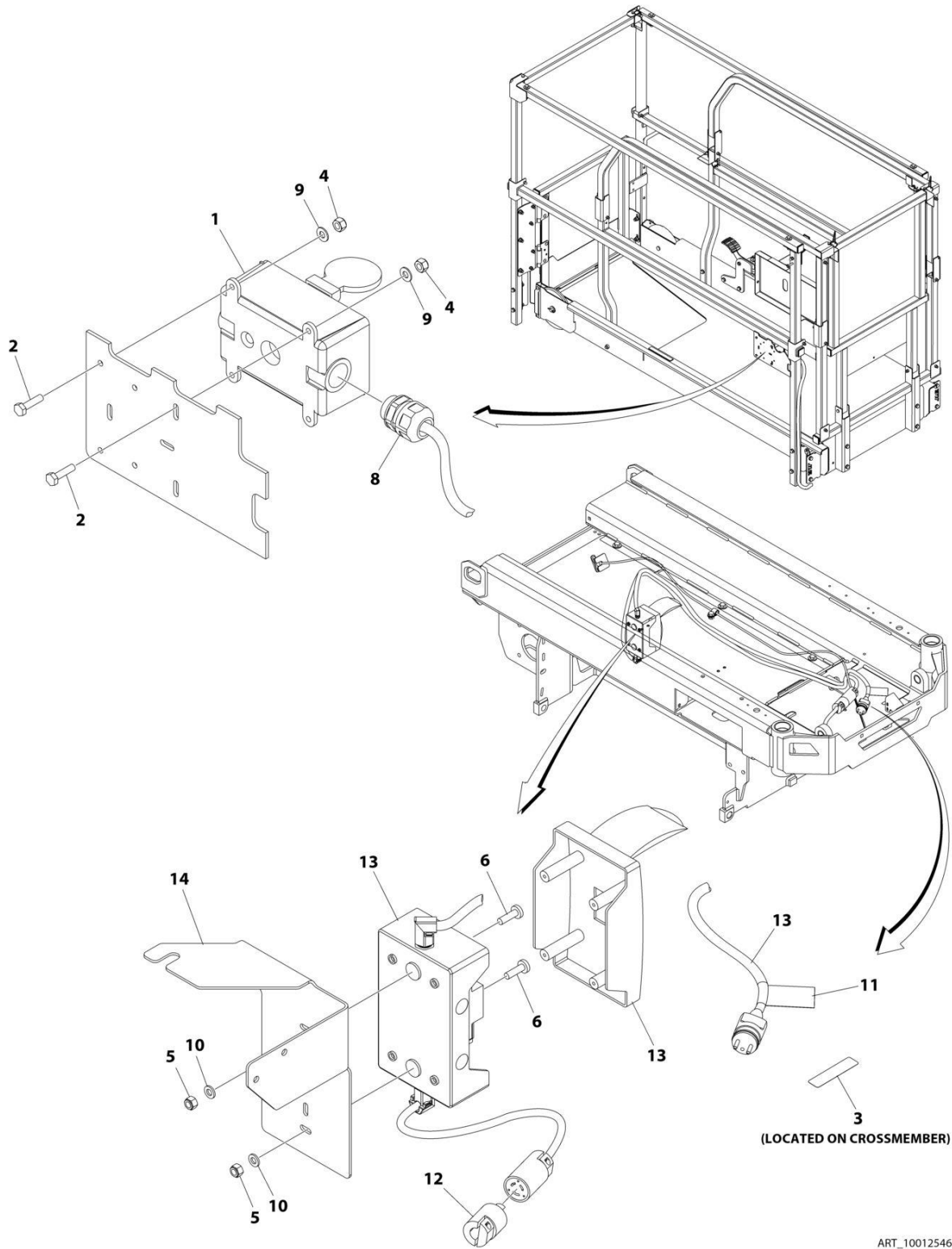
## SECTION 7 - ELECTRICAL

**FIGURE 7-3. AC BOX AT PLATFORM INSTALLATION - 220V IEC BLUE (CE SPECS)**

ITEM	PART NUMBER	QTY	DESCRIPTION	REV
	1001254640	Ref	AC BOX AT PLATFORM INSTALLATION - 220V IEC BLUE	A
1	0275217	1	Receptacle Box Kit - 220V IEC Blue (See Separate Breakdown in this Section)	
2	0760408	2	Bolt M4 x 16	
3	3252507	1	Decal - AC Power	
4	3290405	2	Nut M4	
5	3290605	2	Nut M6	
6	4010610	2	Screw M6 x 20	
7	4240017	AR	Tie-Strap (Not Shown)	
8	4461257	1	Connector, Strain Relief	
9	4461258	1	Connector, Adapter	
10	4811400	2	Washer M4	
11	4811700	4	Washer M6	
12	1001102258	1	Decal - AC Label	
13	1001120204	1	Plug, Male Twist	
14	1001209776	1	Breaker Box Kit (See Separate Breakdown in this Section)	
15	1001253280	1	Bracket	

# SECTION 7 - ELECTRICAL

## FIGURE 7-4. AC BOX AT PLATFORM INSTALLATION - 220V CEE7 POST GROUND (CE SPECS)



ART\_1001254636

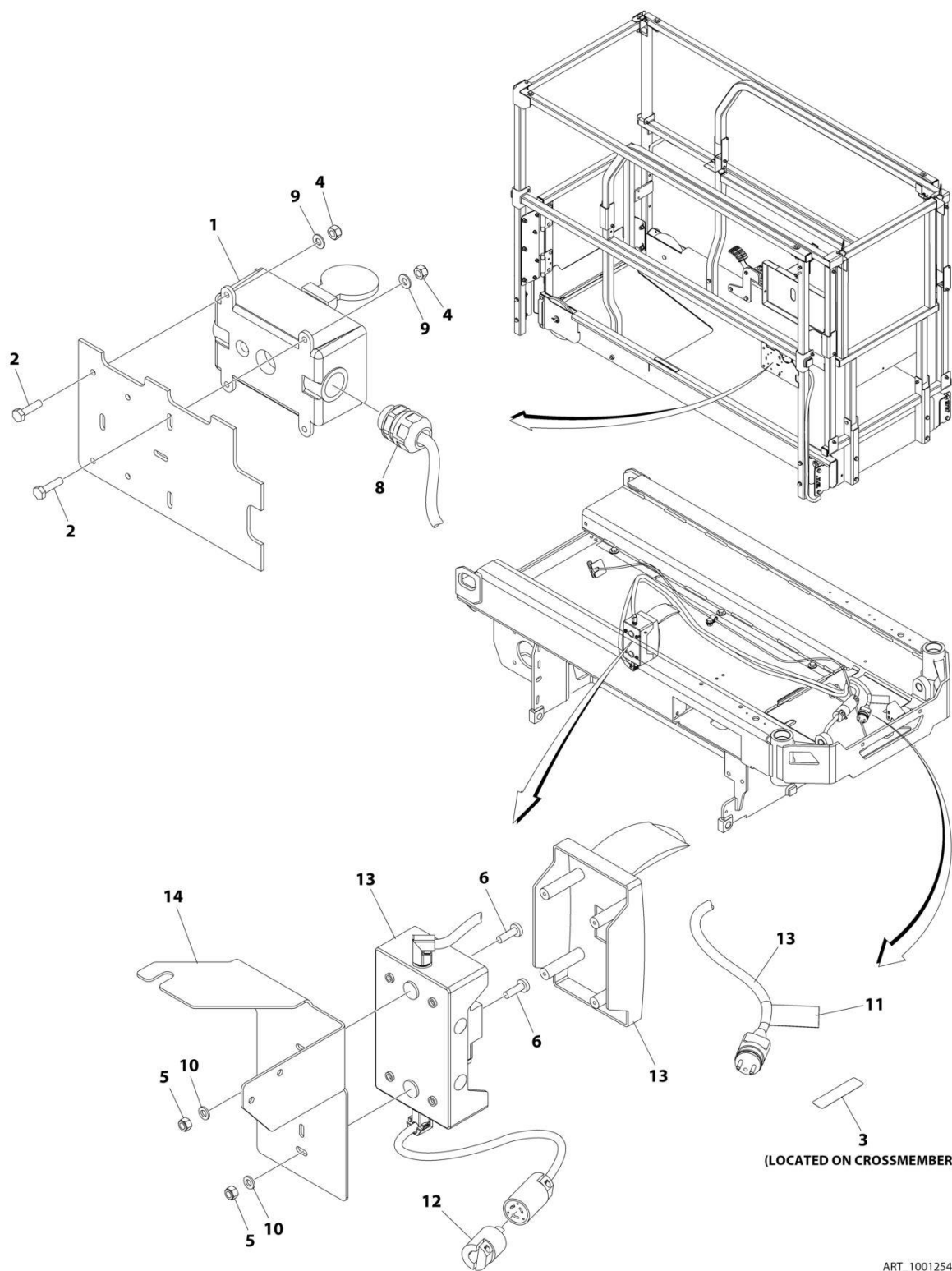
## SECTION 7 - ELECTRICAL

**FIGURE 7-4. AC BOX AT PLATFORM INSTALLATION - 220V CEE7 POST GROUND (CE SPECS)**

ITEM	PART NUMBER	QTY	DESCRIPTION	REV
	1001254636	Ref	AC BOX AT PLATFORM INSTALLATION - 220V CEE7 POST GROUND	A
1	0275452	1	Receptacle Box Kit - 220V CEE7 Post Ground (See Separate Breakdown in this Section)	
2	0760408	4	Bolt M4 x 16	
3	3252507	1	Decal - AC Power	
4	3290405	4	Nut M4	
5	3290605	2	Nut M6	
6	4010610	2	Screw M6 x 20	
7	4240017	AR	Tie-Strap (Not Shown)	
8	4460662	1	Connector, Strain Relief	
9	4811400	4	Washer M4	
10	4811700	4	Washer M6	
11	1001102258	1	Decal - AC Label	
12	1001120204	1	Plug, Male Twist	
13	1001209482	1	Breaker Box Kit (See Separate Breakdown in this Section)	
14	1001253280	1	Bracket	

# SECTION 7 - ELECTRICAL

## FIGURE 7-5. AC BOX AT PLATFORM INSTALLATION - 220V CEE7 SIDE GROUND (CE SPECS)



ART\_1001254637

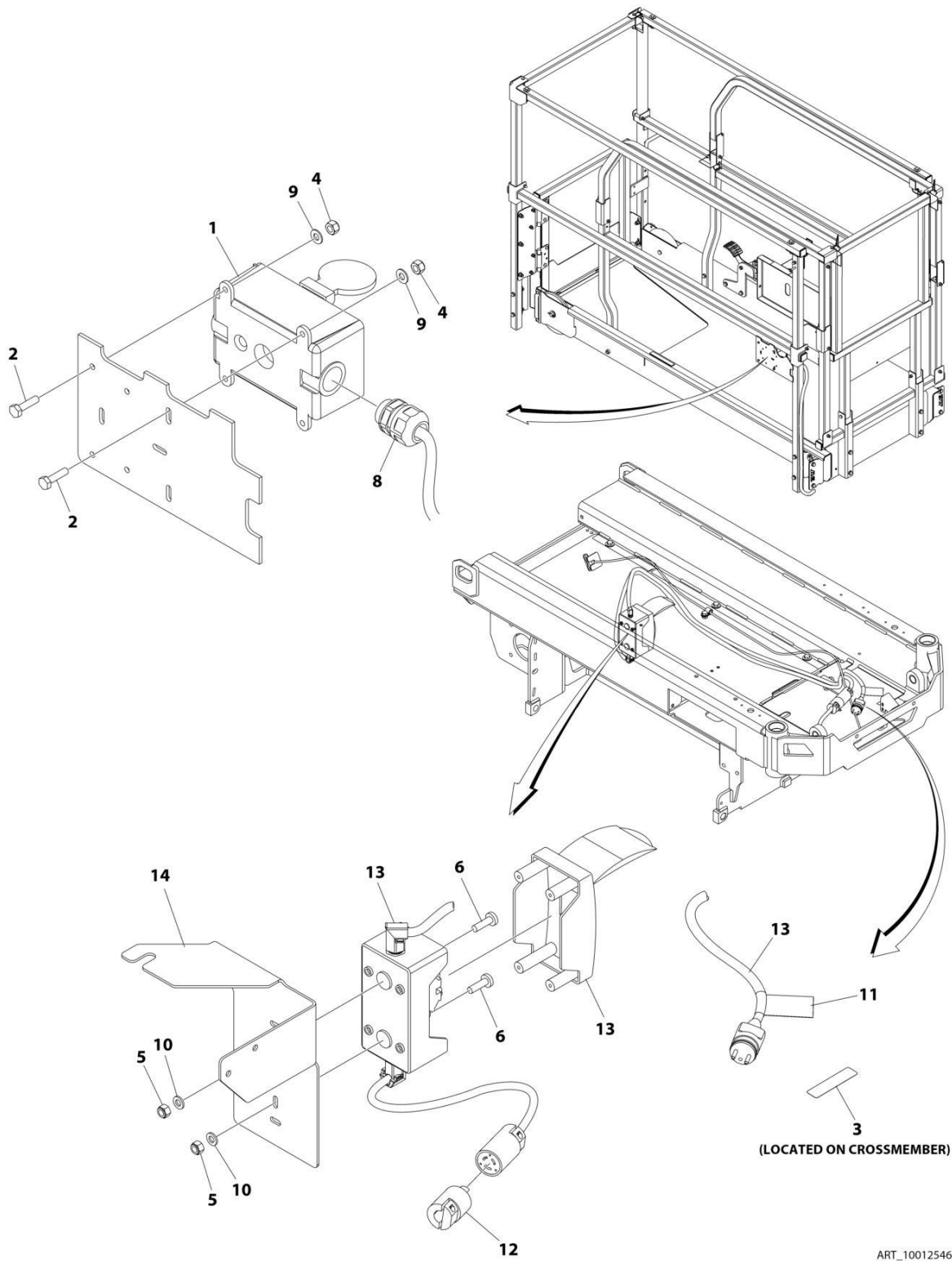
## SECTION 7 - ELECTRICAL

**FIGURE 7-5. AC BOX AT PLATFORM INSTALLATION - 220V CEE7 SIDE GROUND (CE SPECS)**

ITEM	PART NUMBER	QTY	DESCRIPTION	REV
	1001254637	Ref	AC BOX AT PLATFORM INSTALLATION - 220V CEE7 SIDE GROUND	A
1	0275453	1	Receptacle Box Kit - 220V CEE7 Side Ground (See Separate Breakdown in this Section)	
2	0760408	4	Bolt M4 x 16	
3	3252507	1	Decal - AC Power	
4	3290405	4	Nut M4	
5	3290605	2	Nut M6	
6	4010610	2	Screw M6 x 20	
7	4240017	AR	Tie-Strap (Not Shown)	
8	4460662	1	Connector, Strain Relief	
9	4811400	4	Washer M4	
10	4811700	4	Washer M6	
11	1001102258	1	Decal - AC Label	
12	1001120204	1	Plug, Male Twist	
13	1001209482	1	Breaker Box Kit (See Separate Breakdown in this Section)	
14	1001253280	1	Bracket	

# SECTION 7 - ELECTRICAL

## FIGURE 7-6. AC BOX AT PLATFORM INSTALLATION - 220V AFSINT 107 (CE SPECS)



ART\_1001254638



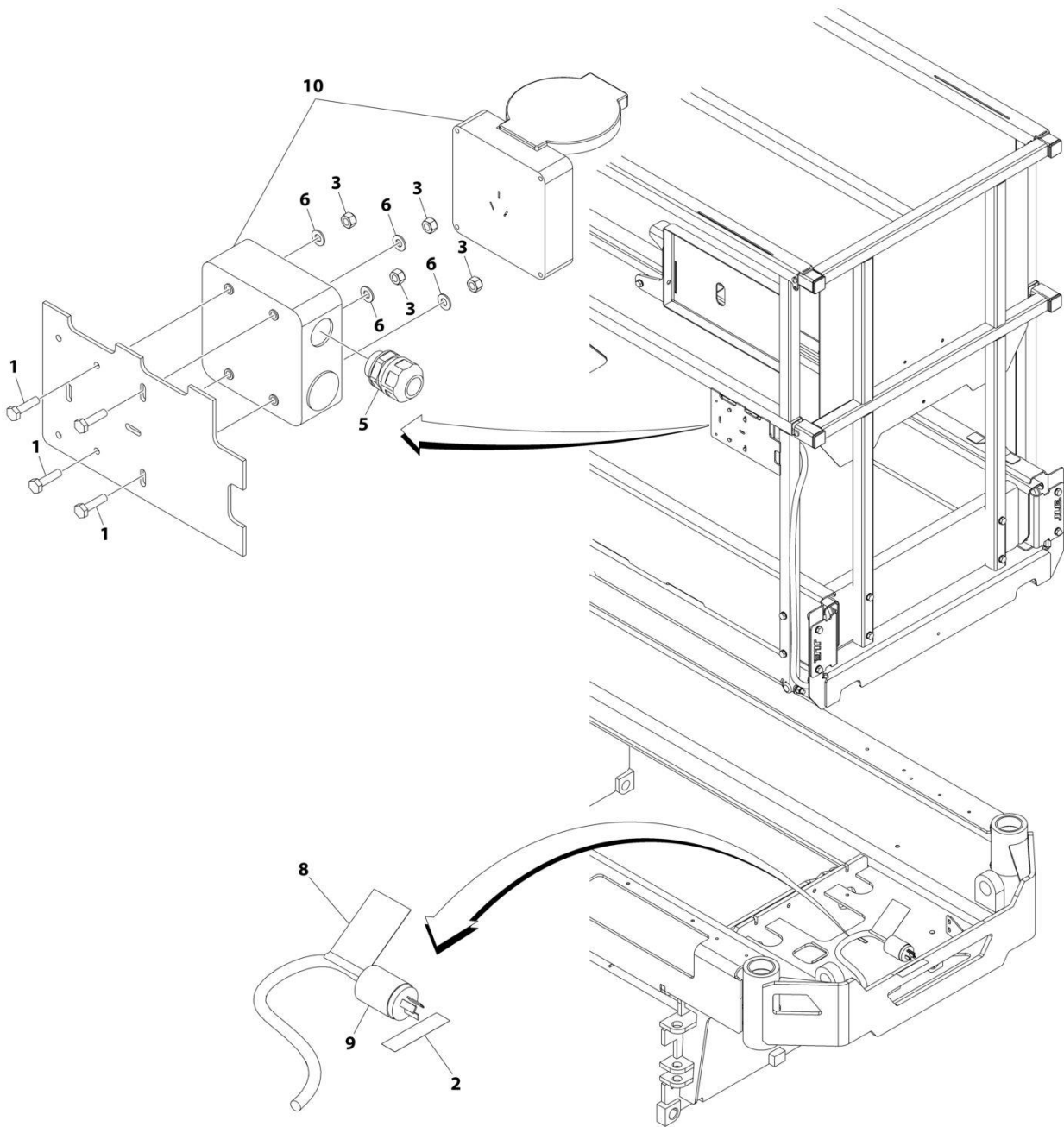
## SECTION 7 - ELECTRICAL

**FIGURE 7-6. AC BOX AT PLATFORM INSTALLATION - 220V AFSINT 107 (CE SPECS)**

ITEM	PART NUMBER	QTY	DESCRIPTION	REV
	1001254638	Ref	AC BOX AT PLATFORM INSTALLATION - 220V AFSINT 107	A
1	0275454	1	Receptacle Box Kit - 220V AFSINT 107 (See Separate Breakdown in this Section)	
2	0760408	4	Bolt M4 x 16	
3	3252507	1	Decal - AC Power	
4	3290405	4	Nut M4	
5	3290605	2	Nut M6	
6	4010610	2	Screw M6 x 20	
7	4240017	AR	Tie-Strap (Not Shown)	
8	4460662	1	Connector, Strain Relief	
9	4811400	4	Washer M4	
10	4811700	4	Washer M6	
11	1001102258	1	Decal - AC Label	
12	1001120204	1	Plug, Male Twist	
13	1001209776	1	Breaker Box Kit (See Separate Breakdown in this Section)	
14	1001253280	1	Bracket	

# SECTION 7 - ELECTRICAL

## FIGURE 7-7. AC BOX AT PLATFORM INSTALLATION - 220V CHINA PLUG (CHINA SPECS)



ART\_1001208938

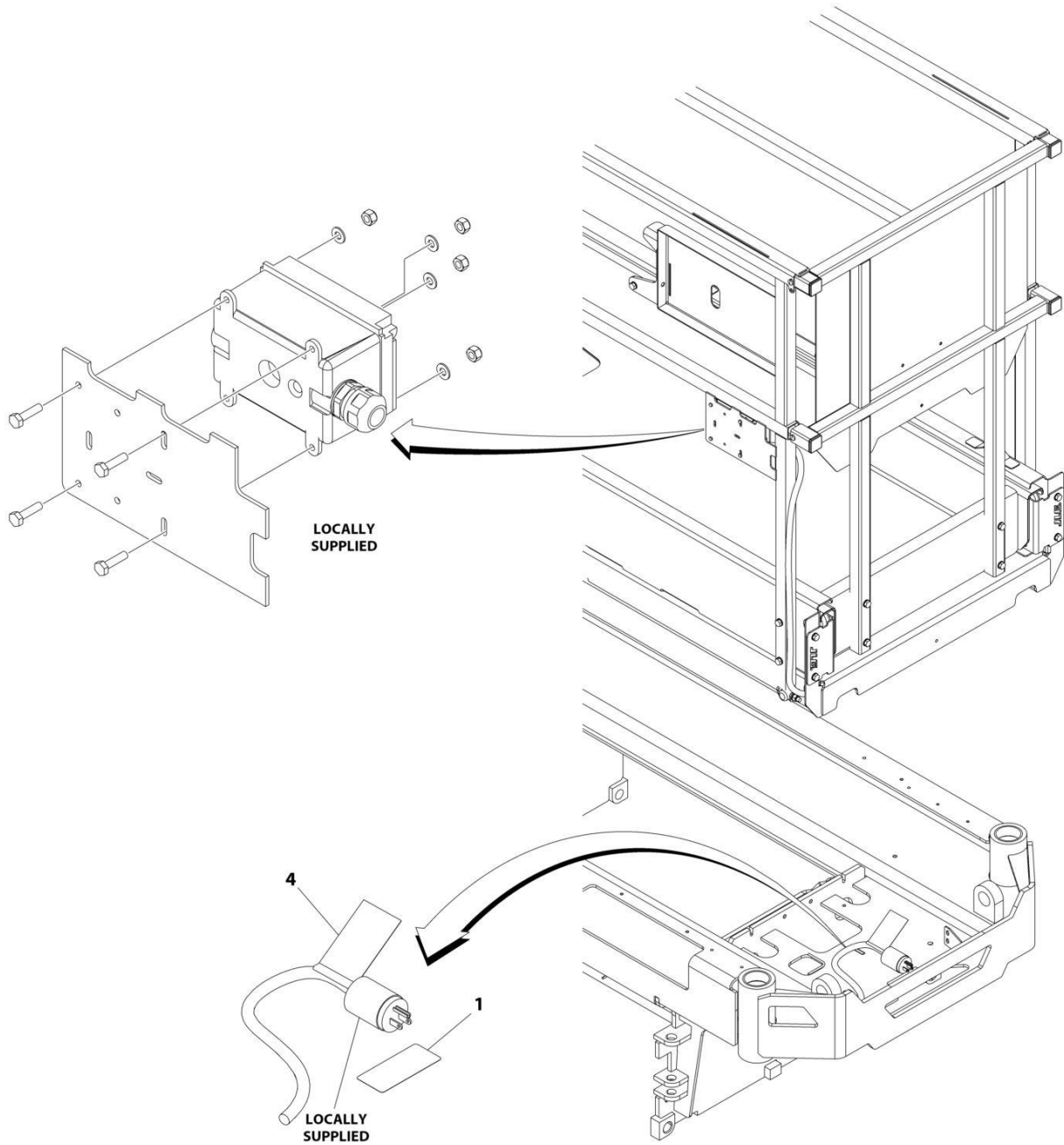
## SECTION 7 - ELECTRICAL

FIGURE 7-7. AC BOX AT PLATFORM INSTALLATION - 220V CHINA PLUG (CHINA SPECS)

ITEM	PART NUMBER	QTY	DESCRIPTION	REV
	1001208938	Ref	AC BOX AT PLATFORM INSTALLATION - 220V CHINA PLUG	B
1	0760408	4	Bolt M4 x 16	
2	3252507	1	Decal - 220 Volt	
3	3290405	4	Nut M4	
4	4460315	1	Terminal (Not Shown)	
5	4460968	1	Connector, Strain Relief	
6	4811400	4	Washer M4	
8	1001102258	1	Decal - AC Label	
9	1001187816	1	Plug	
10	1001188116	1	Box	
11	4240017	AR	Tie-Strap (Not Shown)	

# SECTION 7 - ELECTRICAL

## FIGURE 7-8. AC BOX AT PLATFORM INSTALLATION - 220V LOCALLY SUPPLIED COMPONENTS (ALL SPECS)



ART\_1001208931

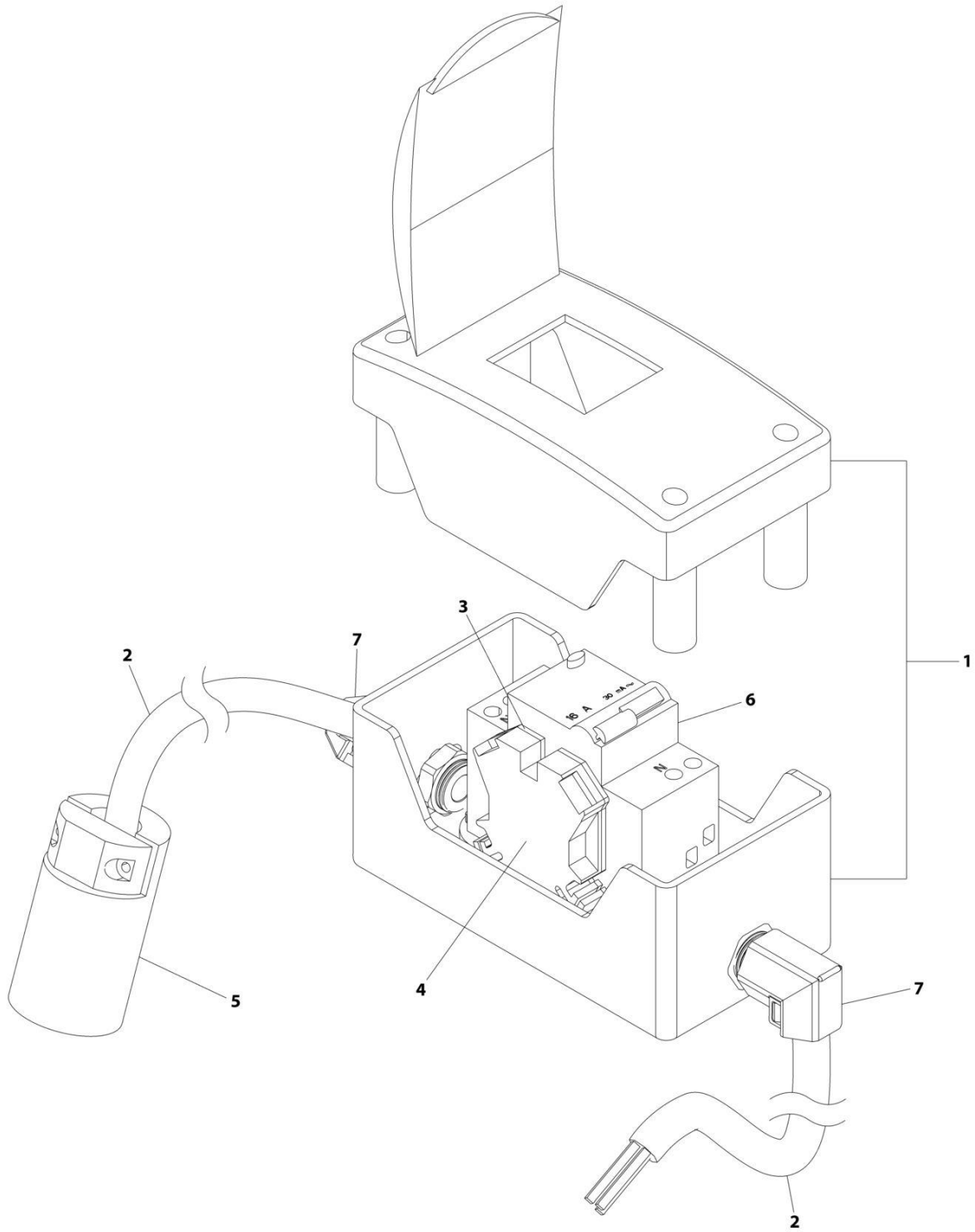
## SECTION 7 - ELECTRICAL

**FIGURE 7-8. AC BOX AT PLATFORM INSTALLATION - 220V LOCALLY SUPPLIED COMPONENTS  
(ALL SPECS)**

ITEM	PART NUMBER	QTY	DESCRIPTION	REV
	1001208931	Ref	AC BOX AT PLATFORM INSTALLATION - 220V LOCALLY SUPPLIED COMPONENTS	C
1	3252507	1	Decal - 220 Volt	
4	1001102258	1	Decal - AC Label	
5	4240017	AR	Tie-Strap (Not Shown)	

# SECTION 7 - ELECTRICAL

## FIGURE 7-9. BREAKER BOX KIT WITH 1 DOUBLE BREAKER



ART\_1001209776

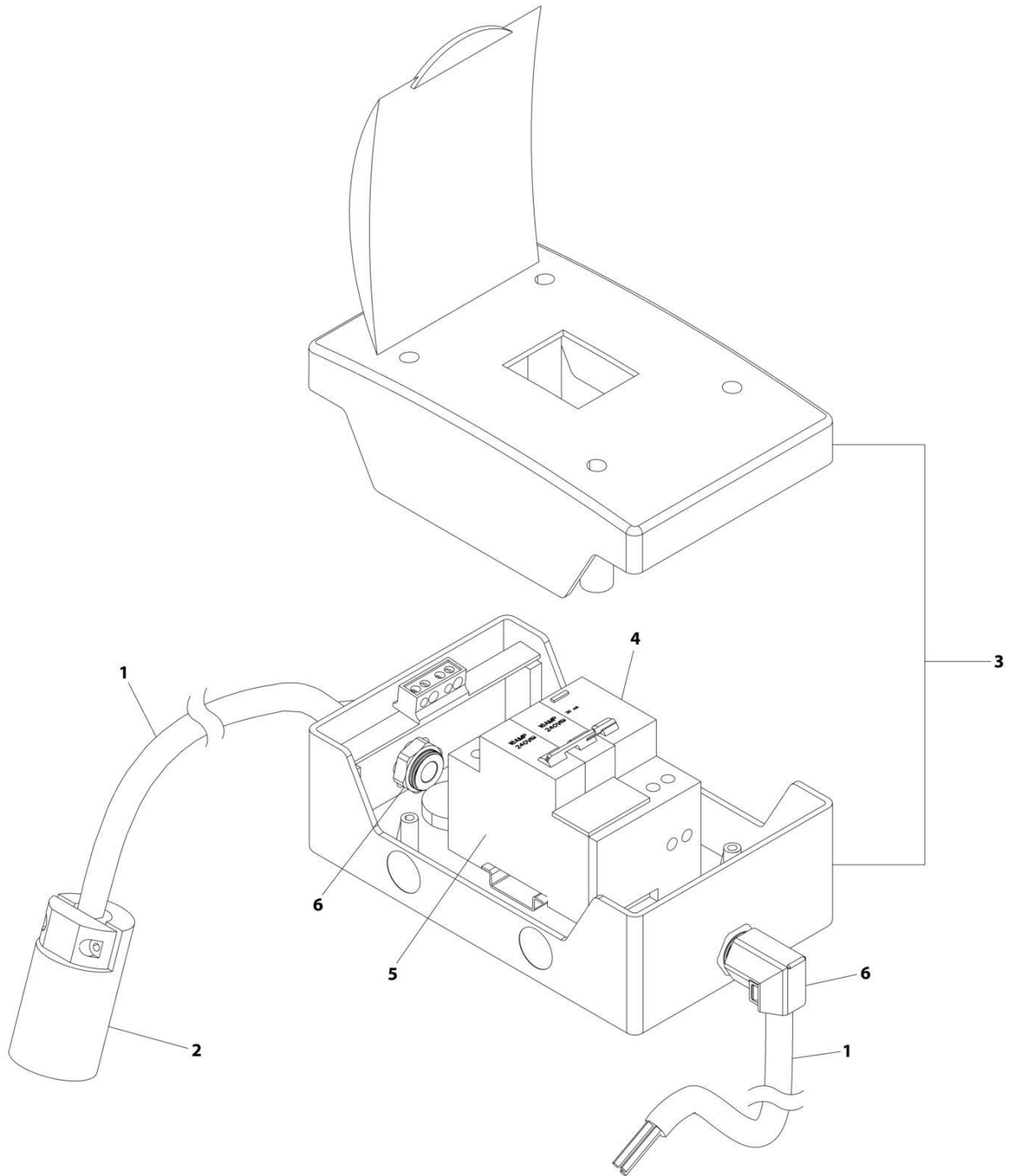
## SECTION 7 - ELECTRICAL

### FIGURE 7-9. BREAKER BOX KIT WITH 1 DOUBLE BREAKER

ITEM	PART NUMBER	QTY	DESCRIPTION	REV
	1001209776	Ref	BREAKER BOX KIT WITH 1 DOUBLE BREAKER	C
1	0861880	1	Box	
2	1060908	9.5 ft /2.8m	Cable, 12/3	
3	4460956	1	Barrier, Terminal	
4	4460957	1	Block, Terminal	
5	1001120205	1	Connector, Female Twist	
6	1001181045	1	Breaker 30mAmp/16 Amp	
7	1001217164	2	Connector, Strain Relief 90	

# SECTION 7 - ELECTRICAL

## FIGURE 7-10. BREAKER BOX KIT WITH 3 BREAKERS



ART\_1001209482



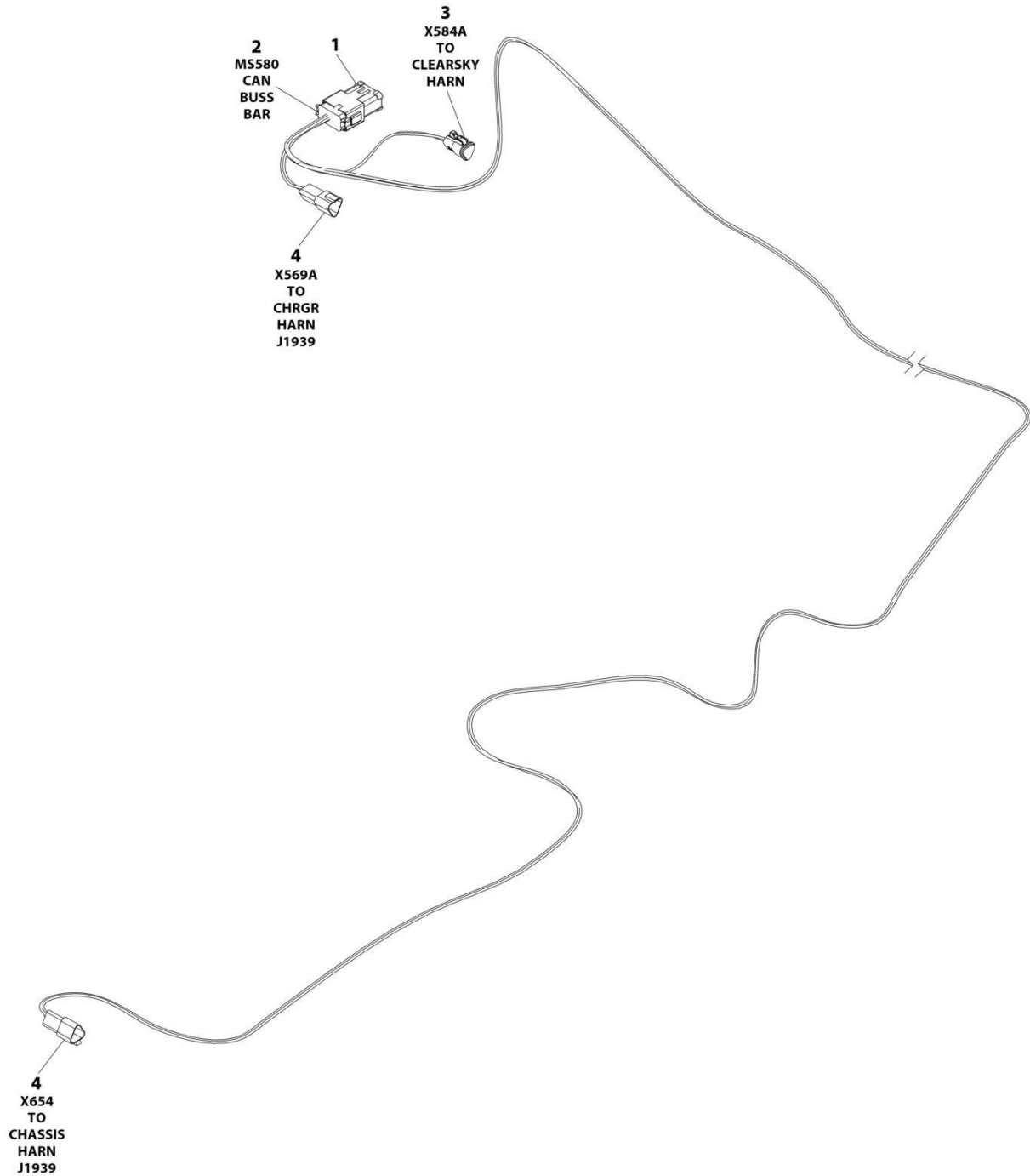
## SECTION 7 - ELECTRICAL

### FIGURE 7-10. BREAKER BOX KIT WITH 3 BREAKERS

ITEM	PART NUMBER	QTY	DESCRIPTION	REV
	1001209482	Ref	BREAKER BOX KIT WITH 3 BREAKERS	C
1	1060908	9.5 ft /2.8m	Cable, 12/3	
2	1001120205	1	Connector, Female Twist	
3	1001152483	1	Box	
4	1001189171	1	Breaker, 30mAmp	
5	1001189172	1	Breaker 16 Amp, Double	
6	1001217164	2	Connector, Strain Relief 90	

# SECTION 7 - ELECTRICAL

## FIGURE 7-11. CAN SPLICE HARNESS



ART\_1001254027

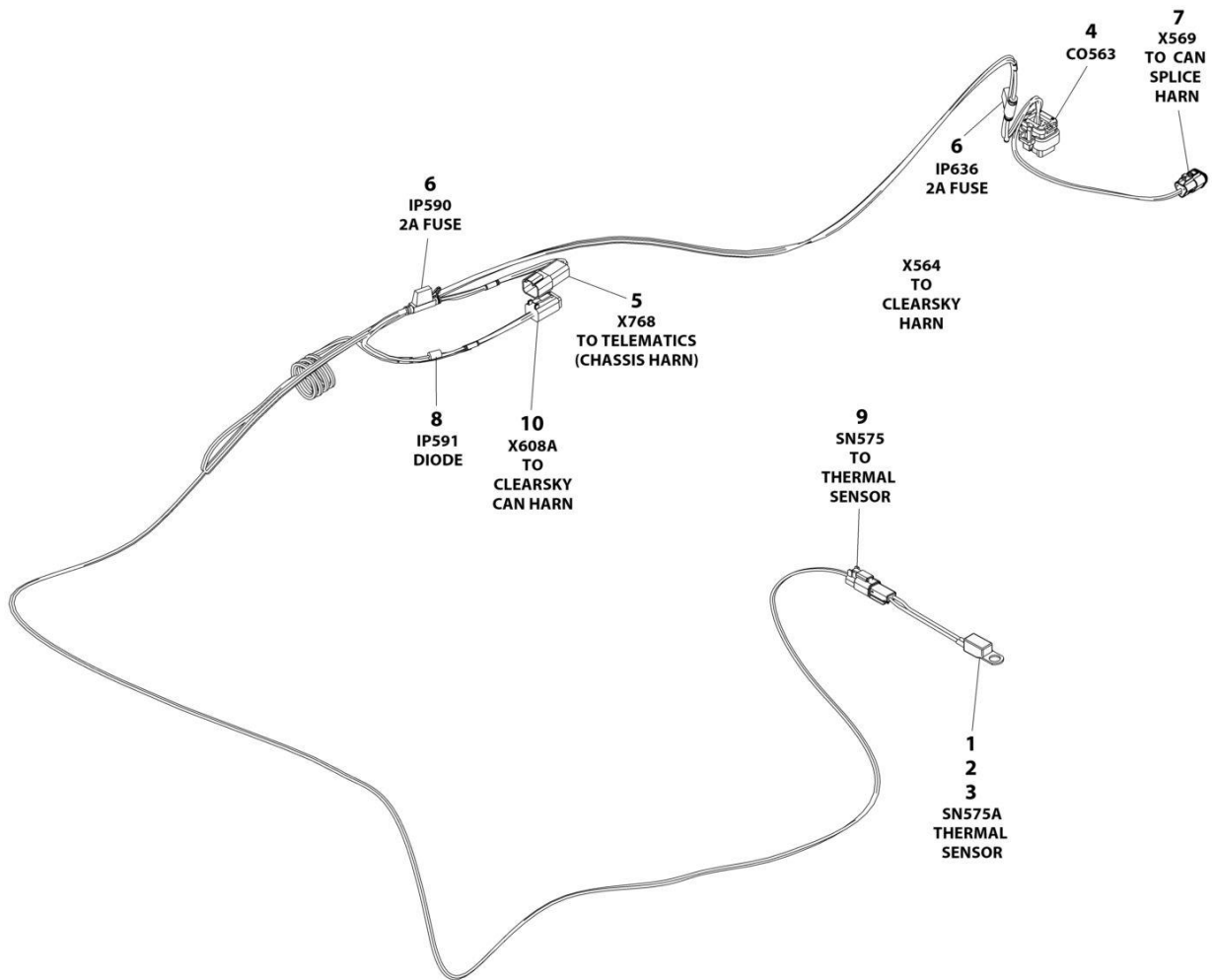
## SECTION 7 - ELECTRICAL

### FIGURE 7-11. CAN SPLICE HARNESS

ITEM	PART NUMBER	QTY	DESCRIPTION	REV
	1001254027	Ref	CAN SPLICE HARNESS	A
1	1001125677	1	Connector, Bus Bar - 12 Position	
2	4460933	1	Plug, Male - 12 Position	
2	4460944	6	Socket, Female	
2	4460466	6	Plug, Terminal	
3	1001118812	1	Plug, Male - 3 Position	
3	4460944	2	Socket, Female	
3	4460466	1	Plug, Terminal	
4	1001144147	2	Receptacle, Female - 3 Position	
4	4460943	4	Pin, Male	
4	4460466	2	Plug, Terminal	

# SECTION 7 - ELECTRICAL

## FIGURE 7-12. CHARGER HARNESS (CHARGER WITH COMMUNICATION PORT)



ART\_1001254028\_B

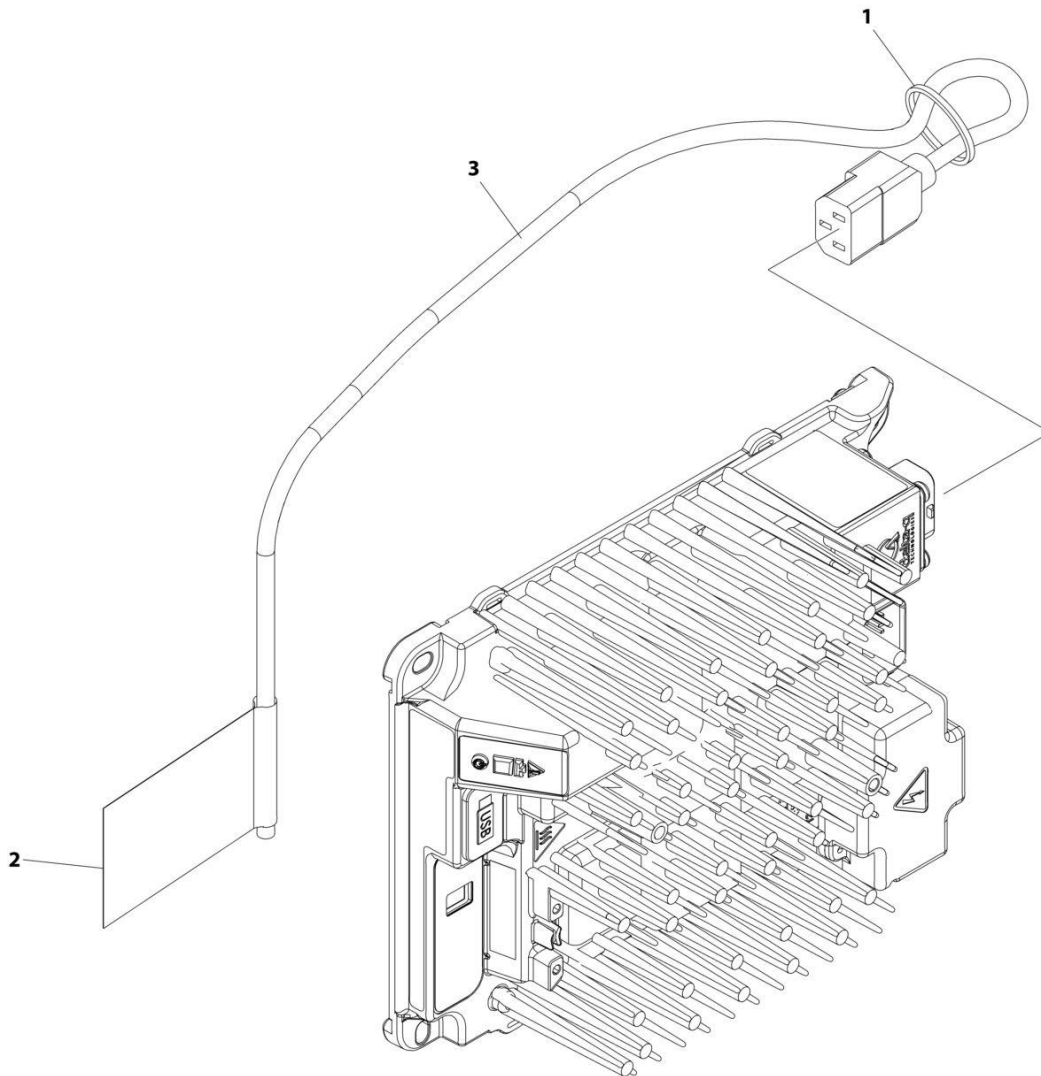
## SECTION 7 - ELECTRICAL

**FIGURE 7-12. CHARGER HARNESS (CHARGER WITH COMMUNICATION PORT)**

ITEM	PART NUMBER	QTY	DESCRIPTION	REV
	1001254028	Ref	CHARGER HARNESS	B
1	4460464	2	Pin, Male	
2	4460897	1	Receptacle, Female - 2 Position	
3	1001102771	1	Sensor, Temperature	
4	4460872	1	Connector - 14 Position	
4	4460871	6	Terminal	
4	4460905	8	Plug, Terminal	
5	4460932	1	Receptacle, Female - 4 Position	
5	4460464	1	Pin, Male	
6	2400060	2	Fuseholder With Cover	
6	1001196634	2	Fuse 2A	
7	1001116812	1	Plug, Male - 3 Position	
7	4460944	2	Socket, Female	
7	4460466	1	Plug, Terminal	
8	3990001	1	Diode	
9	4460891	1	Plug, Male - 2 Position	
9	4460465	2	Socket, Female	
10	4460884	1	Plug, Male - 4 Position	
10	4460465	4	Socket, Female	

# SECTION 7 - ELECTRICAL

FIGURE 7-13. CHARGER PLUG INSTALLATION - LOCALLY SUPPLIED PLUG (ALL SPECS)  
(R1932i/R1932)



ART\_1001248631

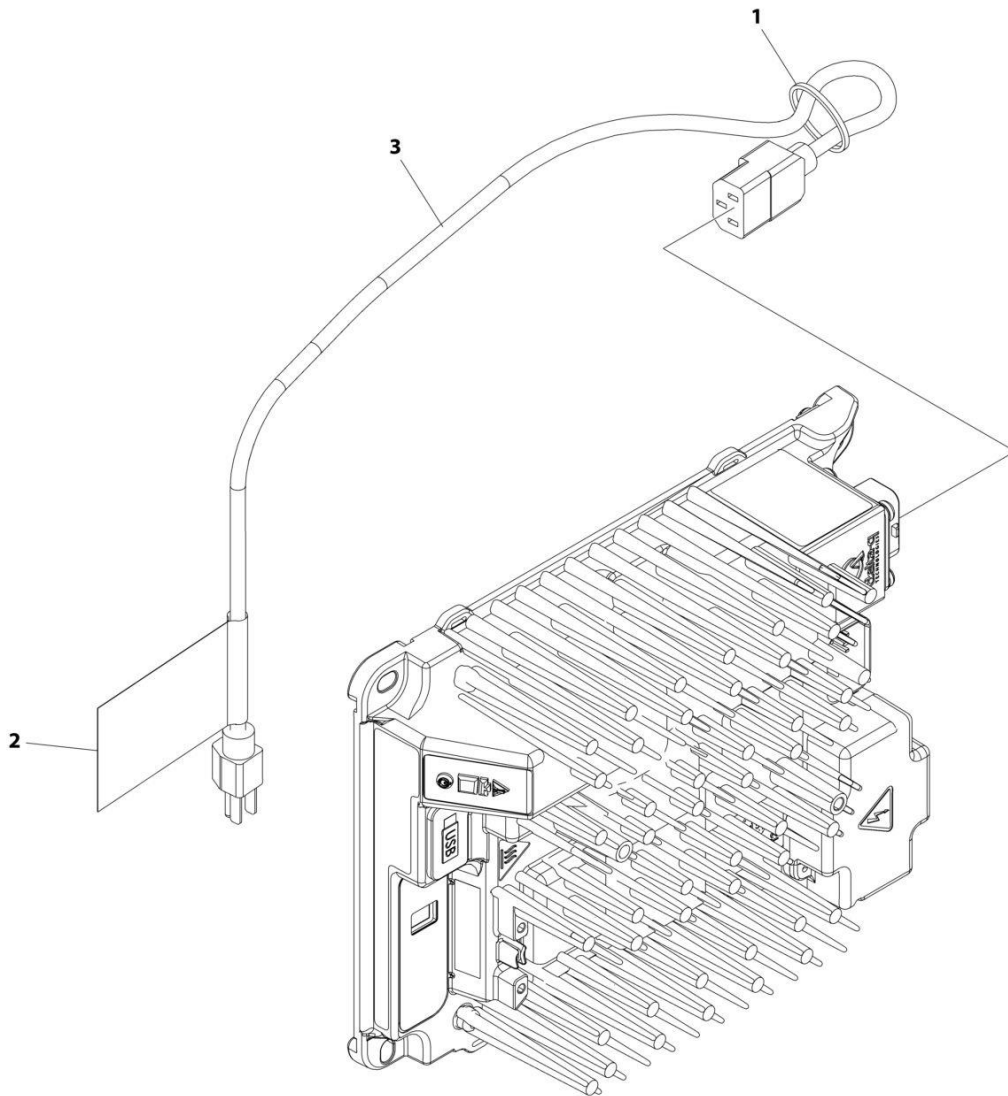
## SECTION 7 - ELECTRICAL

**FIGURE 7-13. CHARGER PLUG INSTALLATION - LOCALLY SUPPLIED PLUG (ALL SPECS)  
(R1932i/R1932)**

ITEM	PART NUMBER	QTY	DESCRIPTION	REV
	1001248631	Ref	CHARGER PLUG INSTALLATION	B
1	4240017	AR	Tie-Strap	
2	1001102489	1	Decal - Charger	
3	1001207974	1	Cable, Charger Plug (No Plug)	

# SECTION 7 - ELECTRICAL

FIGURE 7-14. CHARGER PLUG INSTALLATION - 110V PLUG (ALL SPECS EXCEPT AUSTRALIAN, CE AND KOREA SPECS) (R1932i/R1932)



ART\_1001248632



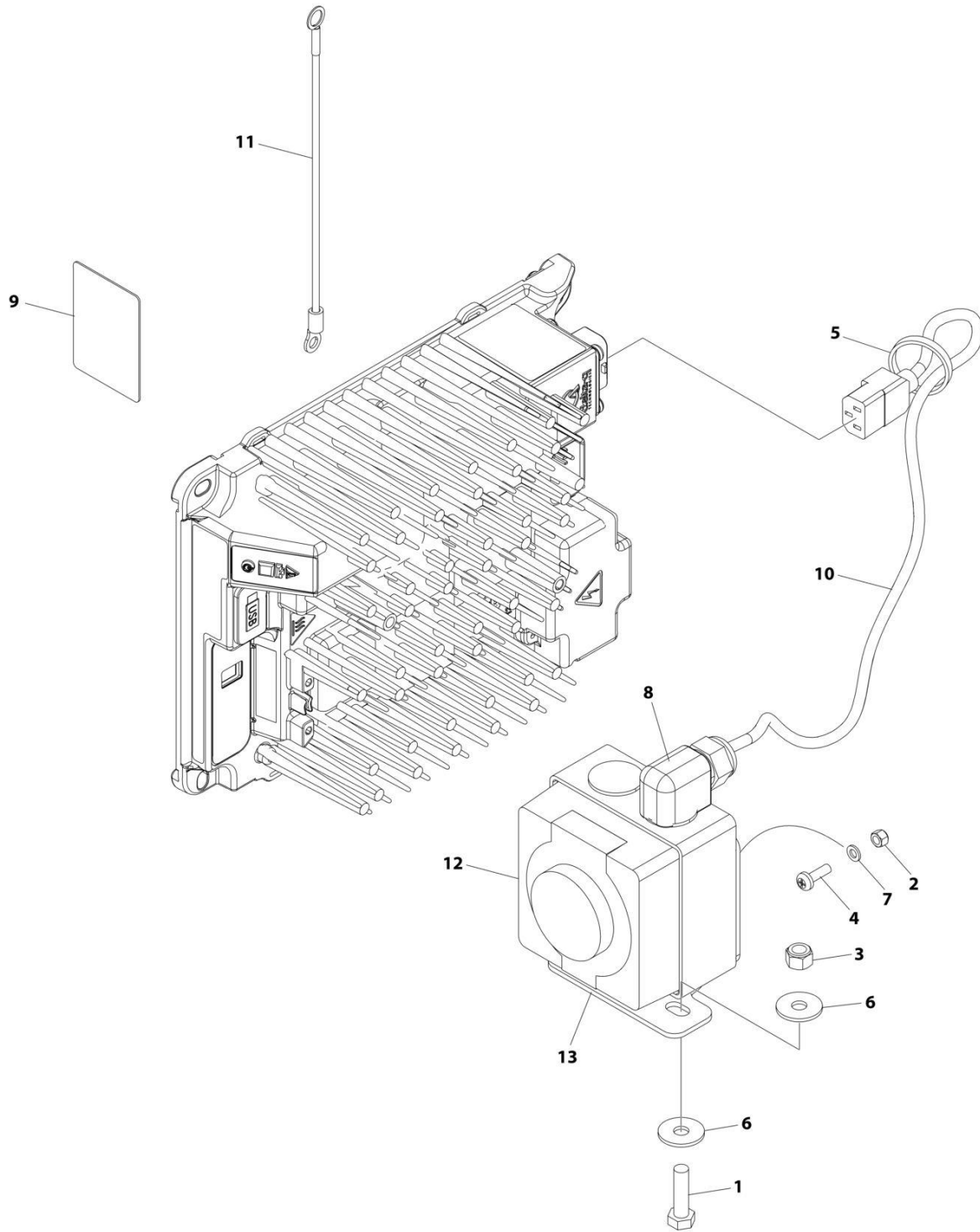
## SECTION 7 - ELECTRICAL

**FIGURE 7-14. CHARGER PLUG INSTALLATION - 110V PLUG (ALL SPECS EXCEPT AUSTRALIAN, CE AND KOREA SPECS) (R1932I/R1932)**

ITEM	PART NUMBER	QTY	DESCRIPTION	REV
	1001248632	Ref	CHARGER PLUG INSTALLATION	B
1	4240017	AR	Tie-Strap	
2	1001102489	1	Decal - Charger	
3	1001207970	1	Cable, Charger Plug	

# SECTION 7 - ELECTRICAL

## FIGURE 7-15. CHARGER PLUG INSTALLATION (AUSTRALIAN PLUG) (R1932i/R1932)



ART\_1001248633

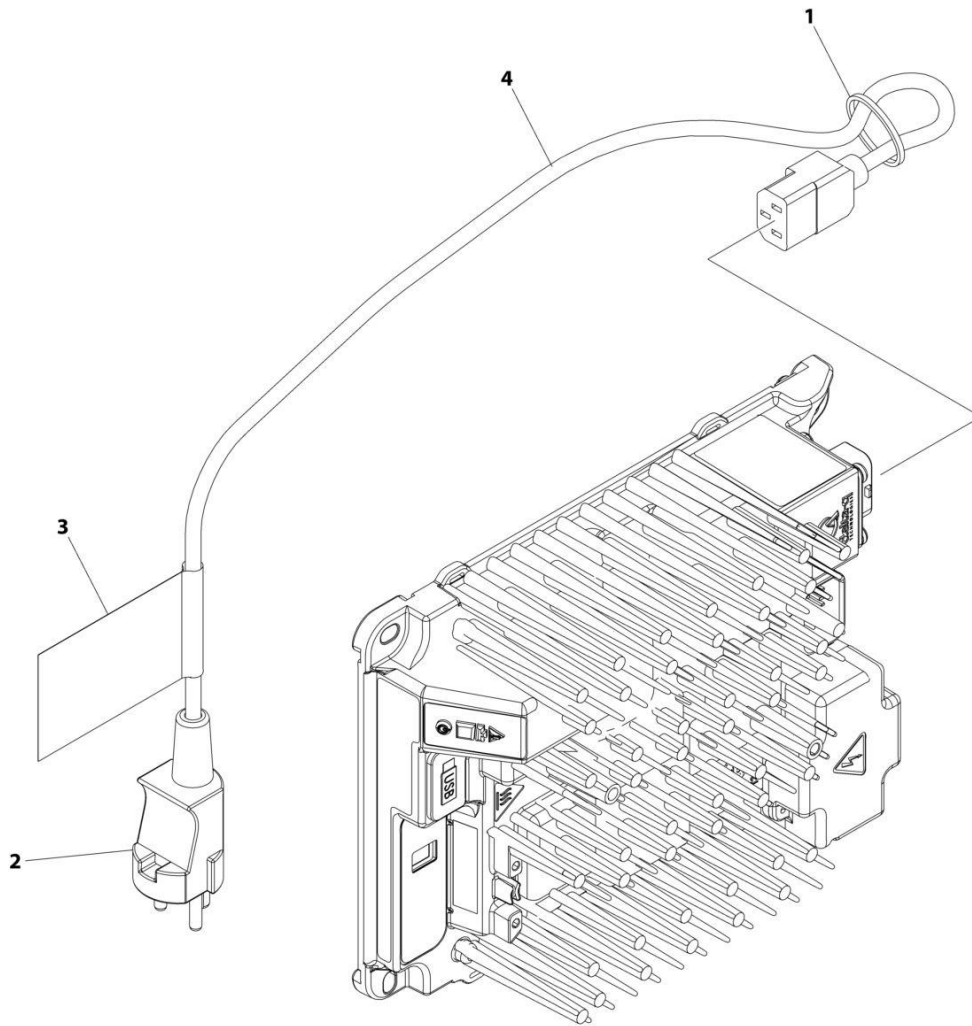
## SECTION 7 - ELECTRICAL

**FIGURE 7-15. CHARGER PLUG INSTALLATION (AUSTRALIAN PLUG) (R1932i/R1932)**

ITEM	PART NUMBER	QTY	DESCRIPTION	REV
	1001248633	Ref	CHARGER PLUG INSTALLATION	A
1	0700814	2	Bolt M8 x 30	
2	3290505	4	Nut M5	
3	3290805	2	Nut M8	
4	3900381	4	Screw M5 x 16	
5	4240017	AR	Tie-Strap	
6	4811902	4	Washer M8	
7	4831600	4	Lockwasher M5	
8	1001103471	1	Connector, Strain Relief 90	
9	1001134280	1	Decal - Charger	
10	1001207974	1	Cable, Charger Plug (No Plug)	
11	1001227219	1	Harness, Earth/Ground	
12	1001227267	1	Inlet Socket/Box Assembly	
13	1001256503	1	Bracket	

# SECTION 7 - ELECTRICAL

FIGURE 7-16. CHARGER PLUG INSTALLATION - 220V AFSINT 107 (CE SPEC) (R1932i/R1932)



ART\_1001258770

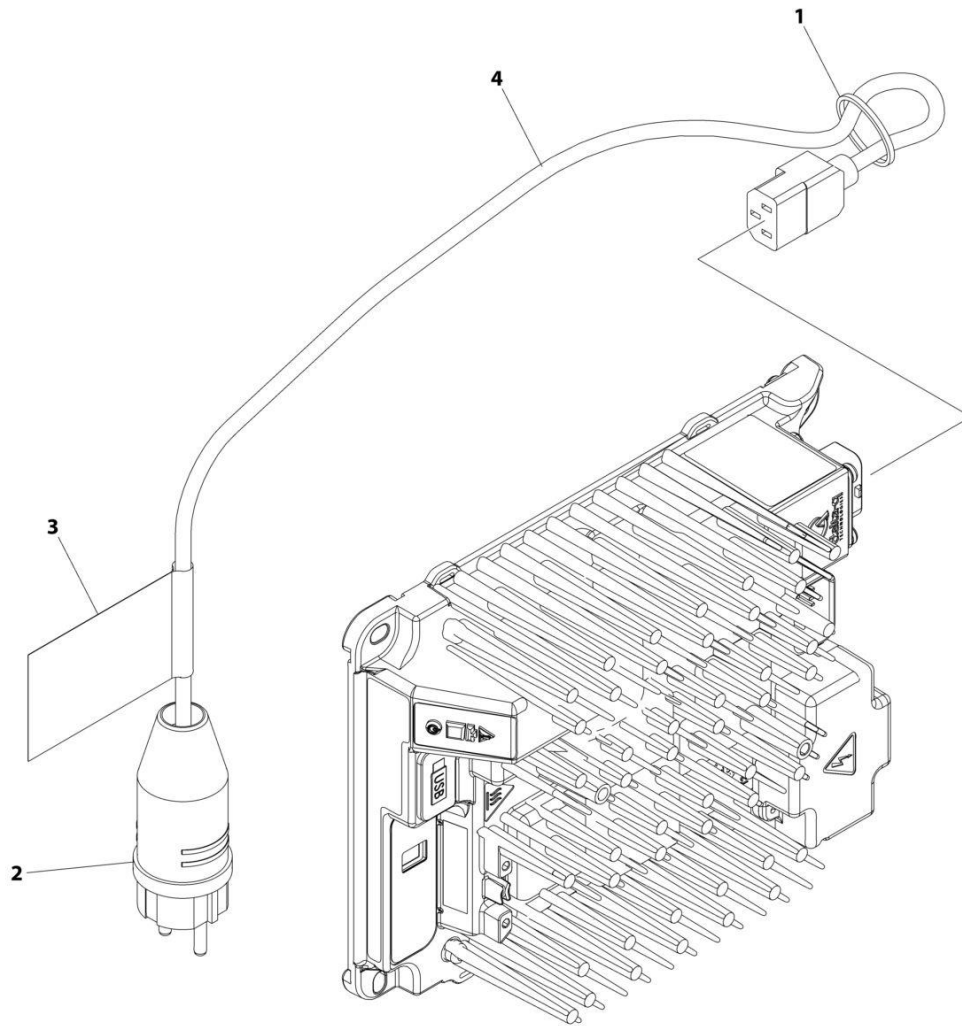
## SECTION 7 - ELECTRICAL

**FIGURE 7-16. CHARGER PLUG INSTALLATION - 220V AFSINT 107 (CE SPEC) (R1932I/R1932)**

ITEM	PART NUMBER	QTY	DESCRIPTION	REV
	1001258770	Ref	CHARGER PLUG INSTALLATION	A
1	4240017	AR	Tie-Strap	
2	4461249	1	Terminal	
3	1001102489	1	Decal - Charger	
4	1001207974	1	Cable, Charger Plug (No Plug)	

# SECTION 7 - ELECTRICAL

FIGURE 7-17. CHARGER PLUG INSTALLATION - 220V CEE7 PLUG (CE SPECS) (R1932i/R1932)



ART\_1001258768

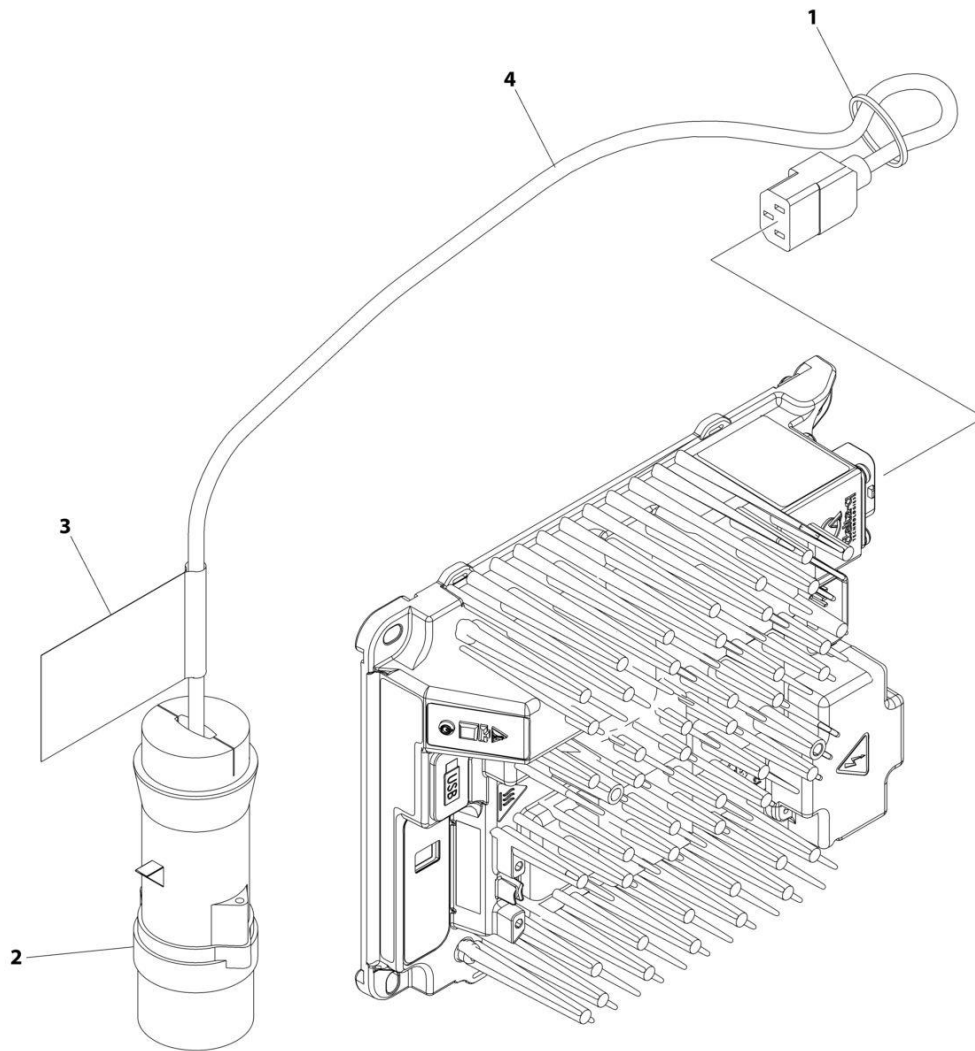
## SECTION 7 - ELECTRICAL

**FIGURE 7-17. CHARGER PLUG INSTALLATION - 220V CEE7 PLUG (CE SPECS) (R1932i/R1932)**

ITEM	PART NUMBER	QTY	DESCRIPTION	REV
	1001258768	Ref	CHARGER PLUG INSTALLATION	A
1	4240017	AR	Tie-Strap	
2	4461205	1	Terminal	
3	1001102489	1	Decal - Charger	
4	1001207974	1	Cable, Charger Plug (No Plug)	

# SECTION 7 - ELECTRICAL

**FIGURE 7-18. CHARGER PLUG INSTALLATION - 110V IEC YELLOW (CE SPEC) (CE SPECS)  
(R1932i/R1932)**



ART\_1001258771



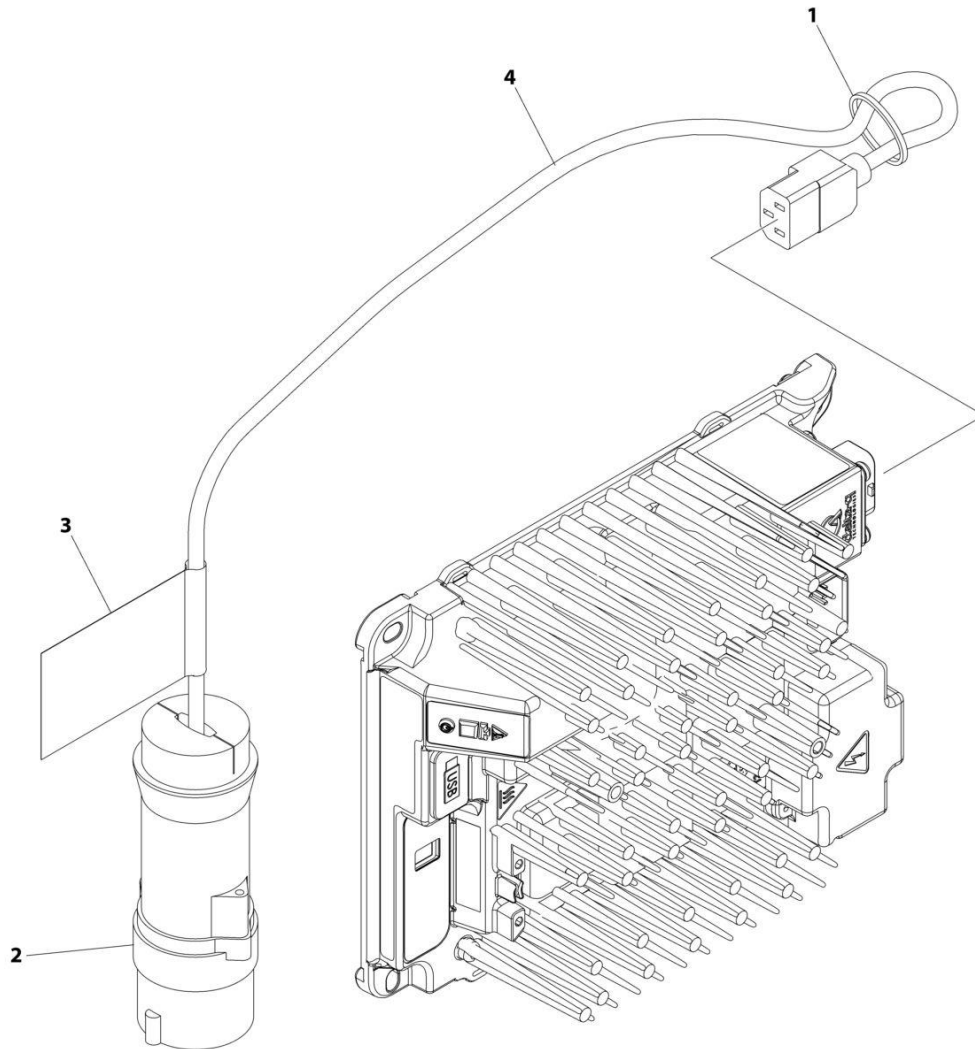
## SECTION 7 - ELECTRICAL

**FIGURE 7-18. CHARGER PLUG INSTALLATION - 110V IEC YELLOW (CE SPEC) (CE SPECS)  
(R1932I/R1932)**

ITEM	PART NUMBER	QTY	DESCRIPTION	REV
	1001258771	Ref	CHARGER PLUG INSTALLATION	A
1	4240017	AR	Tie-Strap	
2	4461196	1	Terminal	
3	1001102489	1	Decal - Charger	
4	1001207974	1	Cable, Charger Plug (No Plug)	

# SECTION 7 - ELECTRICAL

FIGURE 7-19. CHARGER PLUG INSTALLATION - 220V IEC BLUE (CE SPEC) (CE SPECS)  
(R1932i/R1932)



ART\_1001258772

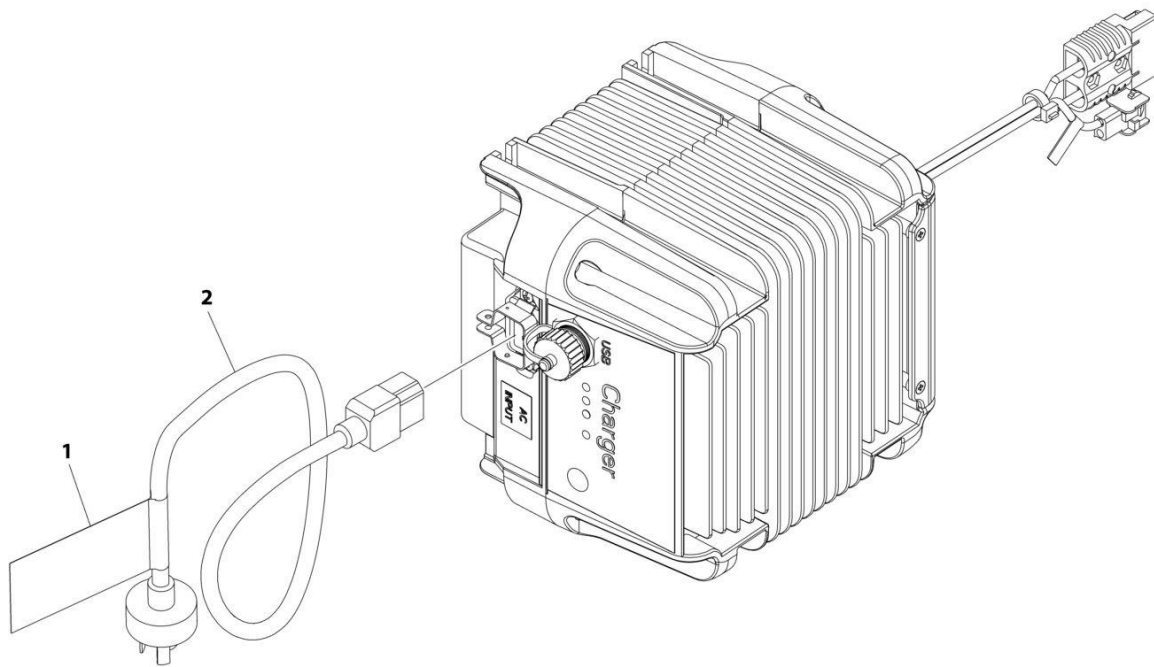
## SECTION 7 - ELECTRICAL

**FIGURE 7-19. CHARGER PLUG INSTALLATION - 220V IEC BLUE (CE SPEC) (CE SPECS)  
(R1932I/R1932)**

ITEM	PART NUMBER	QTY	DESCRIPTION	REV
	1001258772	Ref	CHARGER PLUG INSTALLATION	A
1	4240017	AR	Tie-Strap	
2	4461199	1	Terminal	
3	1001102489	1	Decal - Charger	
4	1001207974	1	Cable, Charger Plug (No Plug)	

# SECTION 7 - ELECTRICAL

FIGURE 7-20. CHARGER PLUG INSTALLATION (CHINA PLUG) (R1932i/R1932)



ART\_1001263294

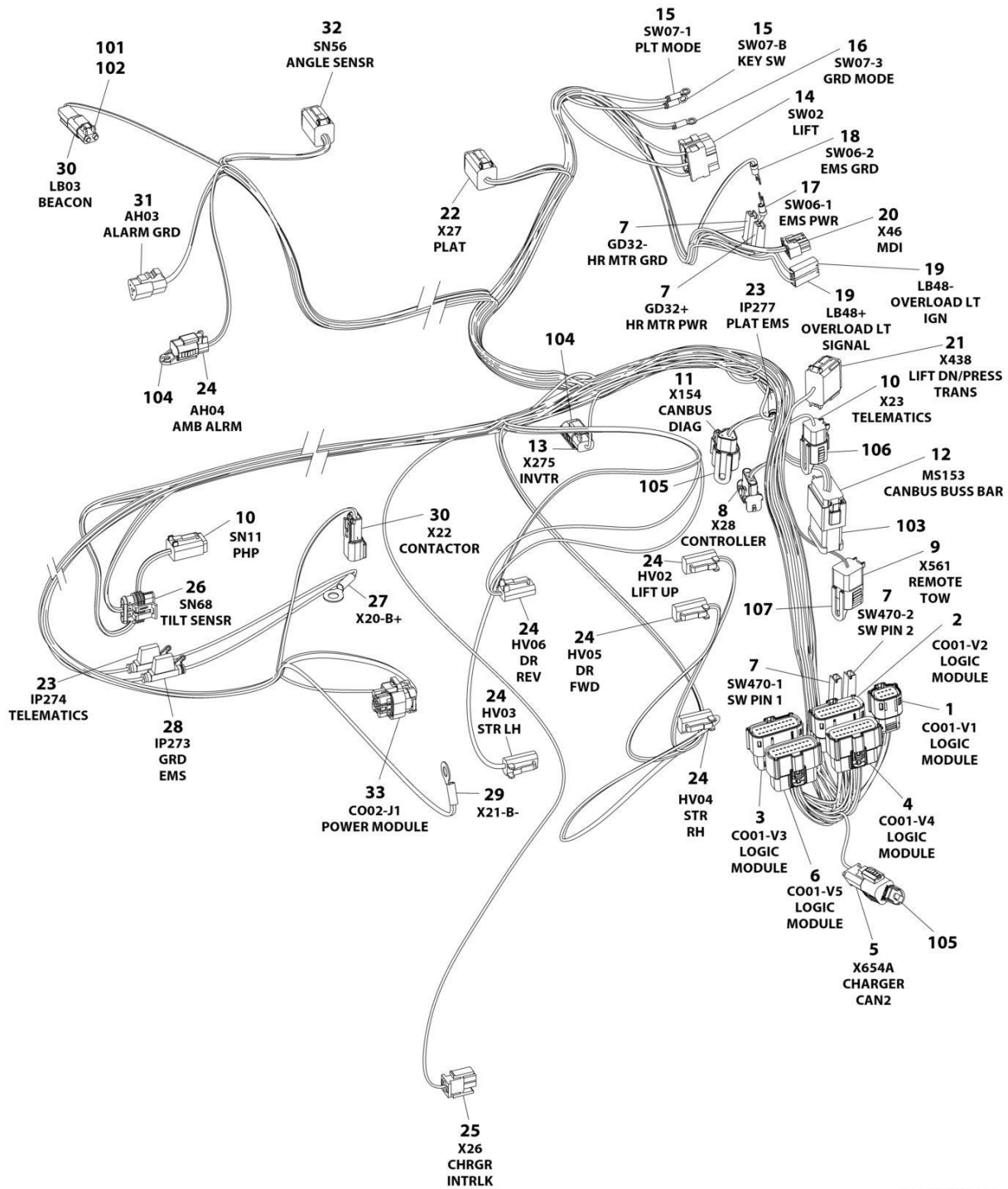
## SECTION 7 - ELECTRICAL

**FIGURE 7-20. CHARGER PLUG INSTALLATION (CHINA PLUG) (R1932/R1932)**

ITEM	PART NUMBER	QTY	DESCRIPTION	REV
	1001263294	Ref	CHARGER PLUG INSTALLATION	A
1	1001102489	1	Decal - Charger Label	
2	1001207973	1	Cable, Charger AC Input	

# SECTION 7 - ELECTRICAL

## FIGURE 7-21. CHASSIS HARNESS



ART\_1001254114

# SECTION 7 - ELECTRICAL

## FIGURE 7-21. CHASSIS HARNESS

ITEM	PART NUMBER	QTY	DESCRIPTION	REV
	1001254114	Ref	CHASSIS HARNESS	C
1	1001205409	1	Connector - 8 Position	
1	1001162887	8	Terminal	
2	1001205410	1	Connector - 20 Position	
2	1001162887	15	Terminal	
2	1001163340	5	Plug, Terminal	
3	1001162886	1	Connector - 20 Position	
3	1001162887	15	Terminal	
3	1001163340	5	Plug, Terminal	
4	1001205411	1	Connector - 20 Position	
4	1001162887	17	Terminal	
4	1001163340	3	Plug, Terminal	
5	4460965	1	Connector - 3 Position	
5	4460944	2	Socket, Female	
5	4460466	1	Plug, Terminal	
6	1001205412	1	Connector - 20 Position	
6	1001162887	19	Terminal	
6	1001163340	1	Plug, Terminal	
7	4460260	4	Cover, Terminal	
7	4460259	4	Terminal	
8	4460761	1	Plug, Male - 4 Position	
8	4460227	4	Socket, Female	
9	4460894	1	Plug, Male - 6 Position	
9	4460465	4	Socket, Female	
9	4460466	2	Plug, Terminal	
10	4460884	2	Plug, Male - 4 Position	
10	4460465	8	Socket, Female	
11	1001116812	1	Receptacle, Female - 3 Position	
11	4460944	2	Pin, Male	
11	4460466	1	Plug, Terminal	
12	4460933	1	Plug, Male - 12 Position	
12	4460944	12	Socket, Female	
13	4460891	1	Plug, Male - 2 Position	
13	4460465	1	Socket, Female	
13	4460466	1	Plug, Terminal	
14	4460418	1	Connector - 6 Position	
14	1001159186	3	Terminal	
15	4460247	2	Terminal, Ring	
16	4460042	1	Terminal, Ring	
17	4460183	1	Terminal, Ring	
18	4460115	1	Terminal, Ring	
19	1001117000	2	Cover, Terminal	
19	1001118387	2	Terminal	
20	1001151629	1	Plug, Male - 8 Position	
20	4461023	2	Terminal	
20	4460877	2	Terminal	
21	4460933	1	Plug, Male - 12 Position	
21	4460944	10	Socket, Female	
21	4460466	2	Plug, Terminal	
22	4460894	1	Plug, Male - 6 Position	

## SECTION 7 - ELECTRICAL

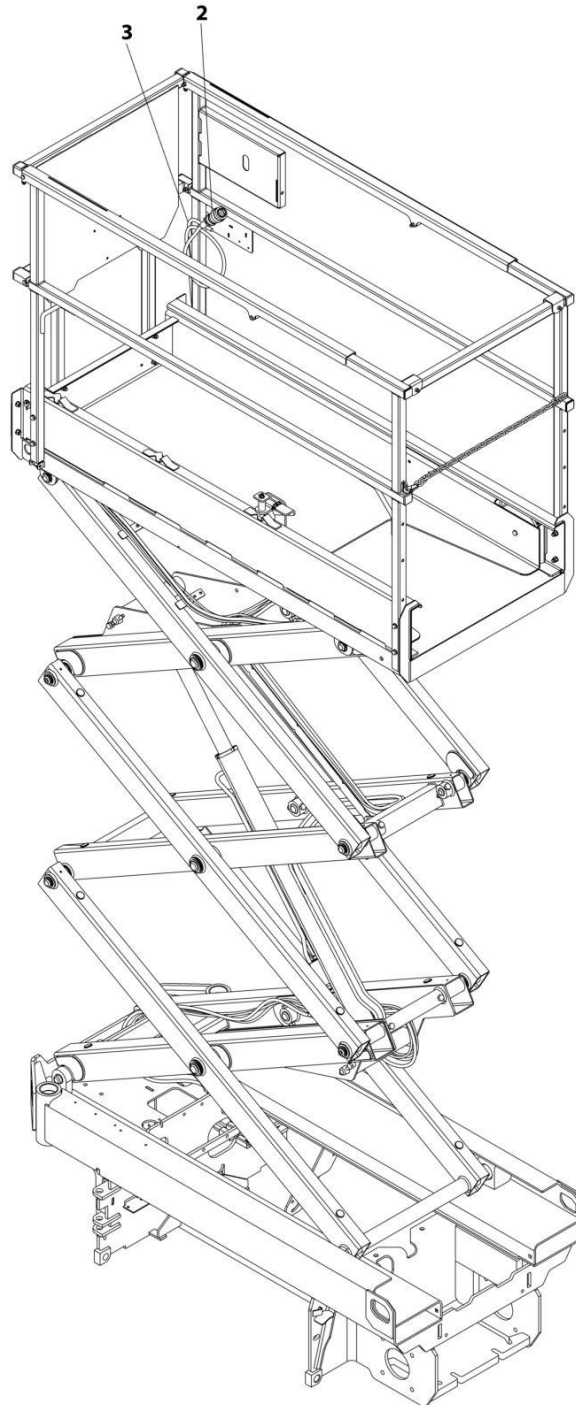
ITEM	PART NUMBER	QTY	DESCRIPTION	REV
22	4460465	4	Socket, Female	
22	4460944	2	Socket, Female	
23	2400060	2	Holder/Cover, Fuse	
23	8229242	2	Fuse 5 Amp	
24	4460891	6	Plug, Male - 2 Position	
24	4460465	12	Socket, Female	
25	4460320	1	Plug, Male - 2 Position	
25	4460226	1	Socket, Female	
26	1001103012	1	Plug, Male - 4 Position	
26	1001237212	4	Socket, Female	
26	1001197457	4	Seal, Terminal	
27	8220045	1	Terminal, Ring	
28	2400060	1	Holder/Cover, Fuse	
28	8229244	1	Fuse 15 Amp	
29	4460670	1	Terminal, Ring	
30	4460897	2	Receptacle, Female - 2 Position	
30	4460464	4	Pin, Male	
31	4460539	1	Plug, Male - 3 Position	
31	4460465	3	Socket, Female	
32	4460894	1	Plug, Male - 6 Position	
32	4460465	6	Socket, Female	
33	1001113961	1	Connector - 8 Position	
33	4460871	4	Socket, Female	
33	4460905	4	Plug, Terminal	
101	4460466	2	Plug, Terminal	
102	4460891	1	Plug, Male - 2 Position	
103	1001125677	1	Receptacle, Female Buss Bar - 2x6 Position	
104	1001144295	2	Cap - 2 Position	
105	1001144296	2	Cap - 3 Position	
106	1001192401	1	Cap, Dust	
107	1001213448	1	Cap - 6 Position	





## SECTION 7 - ELECTRICAL

FIGURE 7-22. GROUND TO PLATFORM CABLE INSTALLATION - R1532I WITHOUT PLATFORM COIL CABLE



ART\_1001225490

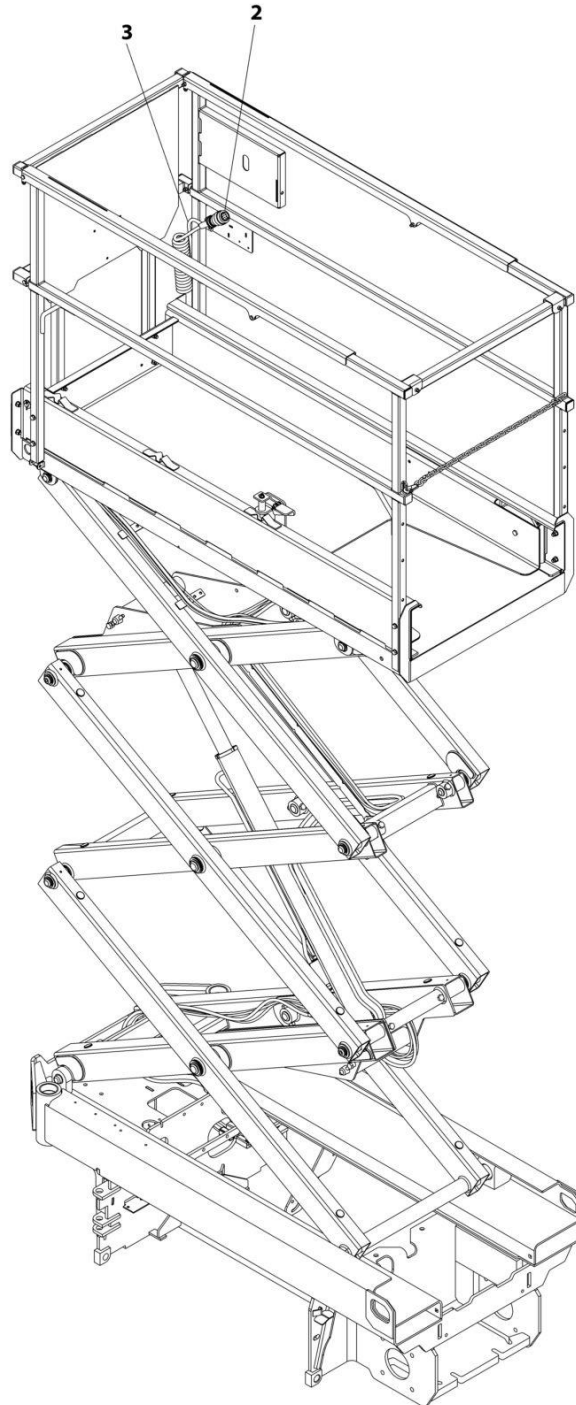
## SECTION 7 - ELECTRICAL

**FIGURE 7-22. GROUND TO PLATFORM CABLE INSTALLATION - R1532I WITHOUT PLATFORM COIL CABLE**

ITEM	PART NUMBER	QTY	DESCRIPTION	REV
	1001225490	Ref	GROUND TO PLATFORM CABLE INSTALLATION	A
1	4240017	AR	Tie-Strap (Not Shown)	
2	1001200812	1	Platform Harness	
2	4460899	1	Receptacle, Female - 6 Position (To Item 3)	
2	4460464	4	Pin, Male	
2	4460943	2	Pin, Male	
2	4460754	1	Connector - 14 Position (To Console Box)	
2	4460465	8	Socket, Female	
2	4460466	6	Plug, Terminal	
3	1001225377	1	Cable Assembly - Ground to Platform	
3	4460894	1	Plug, Male - 6 Position (To Platform Harness Item 2)	
3	4460465	4	Socket, Female	
3	4460944	2	Socket, Female	
3	4460899	1	Receptacle, Female - 6 Position (To Chassis Harness)	
3	4460464	4	Pin, Male	
3	4460943	2	Pin, Male	

## SECTION 7 - ELECTRICAL

FIGURE 7-23. GROUND TO PLATFORM CABLE INSTALLATION - R1532i WITH PLATFORM COIL CABLE



ART\_1001225491

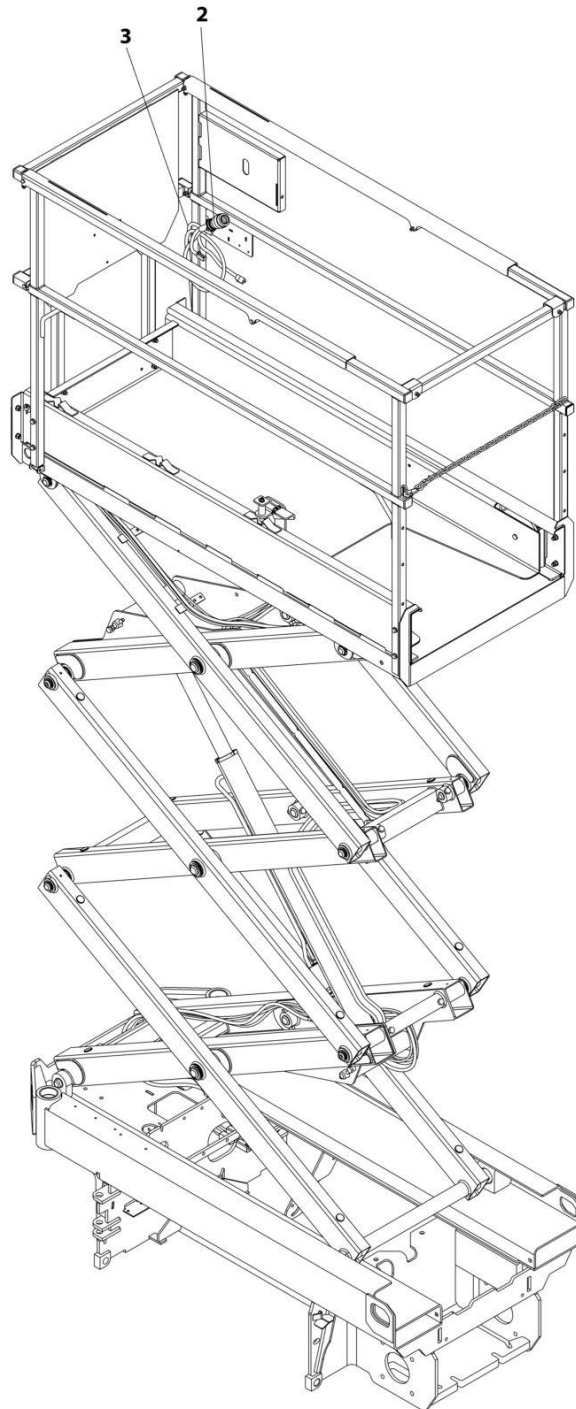
## SECTION 7 - ELECTRICAL

**FIGURE 7-23. GROUND TO PLATFORM CABLE INSTALLATION - R1532I WITH PLATFORM COIL CABLE**

ITEM	PART NUMBER	QTY	DESCRIPTION	REV
	1001225491	Ref	GROUND TO PLATFORM CABLE INSTALLATION	A
1	4240017	AR	Tie-Strap (Not Shown)	
2	1001202184	1	Platform Harness	
2	4460899	1	Receptacle, Female - 6 Position (To Item 3)	
2	4460464	4	Pin, Male	
2	4460943	2	Pin, Male	
2	4460754	1	Connector - 14 Position (To Console Box)	
2	4460465	8	Socket, Female	
2	4460466	6	Plug, Terminal	
3	1001225377	1	Cable Assembly - Ground to Platform	
3	4460894	1	Plug, Male - 6 Position (To Platform Harness Item 2)	
3	4460465	4	Socket, Female	
3	4460944	2	Socket, Female	
3	4460899	1	Receptacle, Female - 6 Position (To Chassis Harness)	
3	4460464	4	Pin, Male	
3	4460943	2	Pin, Male	

## SECTION 7 - ELECTRICAL

FIGURE 7-24. GROUND TO PLATFORM CABLE INSTALLATION - R1532I WITHOUT PLATFORM COIL CABLE AND WITH FOOTSWITCH



ART\_1001225492

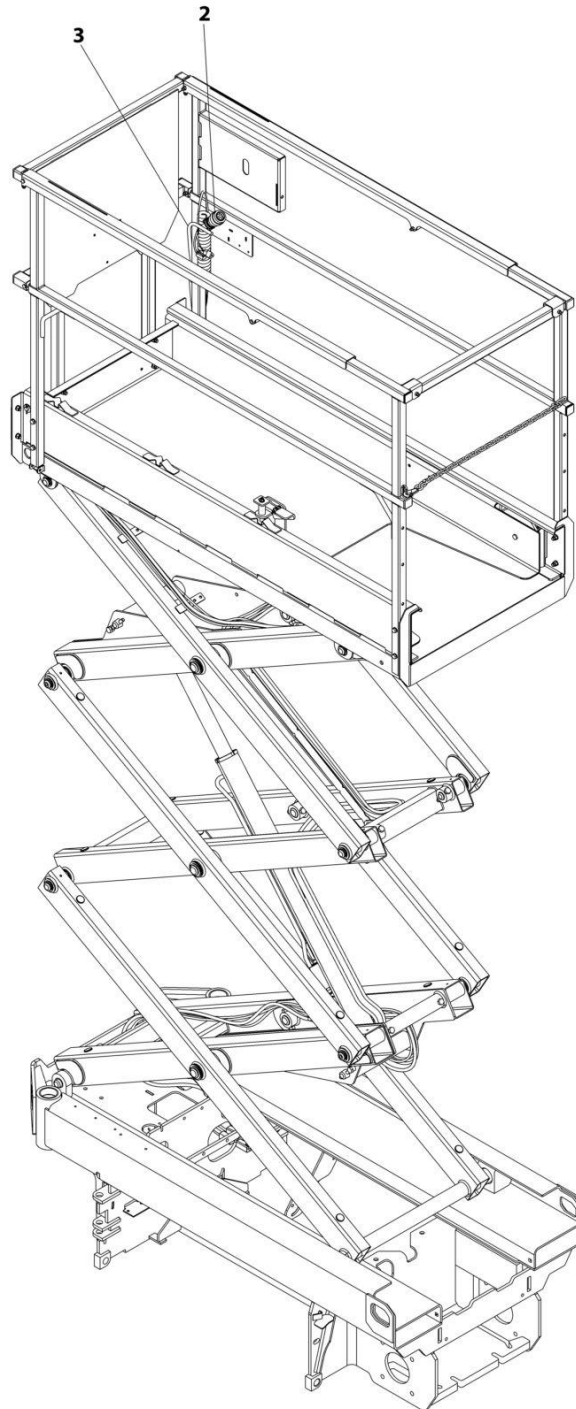
## SECTION 7 - ELECTRICAL

**FIGURE 7-24. GROUND TO PLATFORM CABLE INSTALLATION - R1532I WITHOUT PLATFORM COIL CABLE AND WITH FOOTSWITCH**

ITEM	PART NUMBER	QTY	DESCRIPTION	REV
	1001225492	Ref	GROUND TO PLATFORM CABLE INSTALLATION	A
		Ref	Note: Only Available on Japanese Specs.	
1	4240017	AR	Tie-Strap (Not Shown)	
2	1001223263	1	Platform Harness	
2	4460899	1	Receptacle, Female - 6 Position (To Item 3)	
2	4460464	4	Pin, Male	
2	4460943	2	Pin, Male	
2	4460754	1	Connector - 14 Position (To Console Box)	
2	4460465	8	Socket, Female	
2	4460944	2	Socket, Female	
2	4460466	4	Plug, Terminal	
2	4460891	1	Plug, Male - 2 Position (To Footswitch)	
2	4460465	2	Socket, Female	
2	4460897	1	Receptacle, Female - 2 Position (Footswitch Jumper)	
2	4460464	2	Pin, Male	
2	4460539	1	Plug, Male - 3 Position (To Overhead Switches)	
2	4460465	2	Socket, Female	
2	4460466	1	Plug, Terminal	
3	1001225377	1	Cable Assembly - Ground to Platform	
3	4460894	1	Plug, Male - 6 Position (To Platform Harness Item 2)	
3	4460465	4	Socket, Female	
3	4460944	2	Socket, Female	
3	4460899	1	Receptacle, Female - 6 Position (To Chassis Harness)	
3	4460464	4	Pin, Male	
3	4460943	2	Pin, Male	

## SECTION 7 - ELECTRICAL

FIGURE 7-25. GROUND TO PLATFORM CABLE INSTALLATION - R1532I WITH PLATFORM COIL CABLE AND FOOTSWITCH



ART\_1001225493



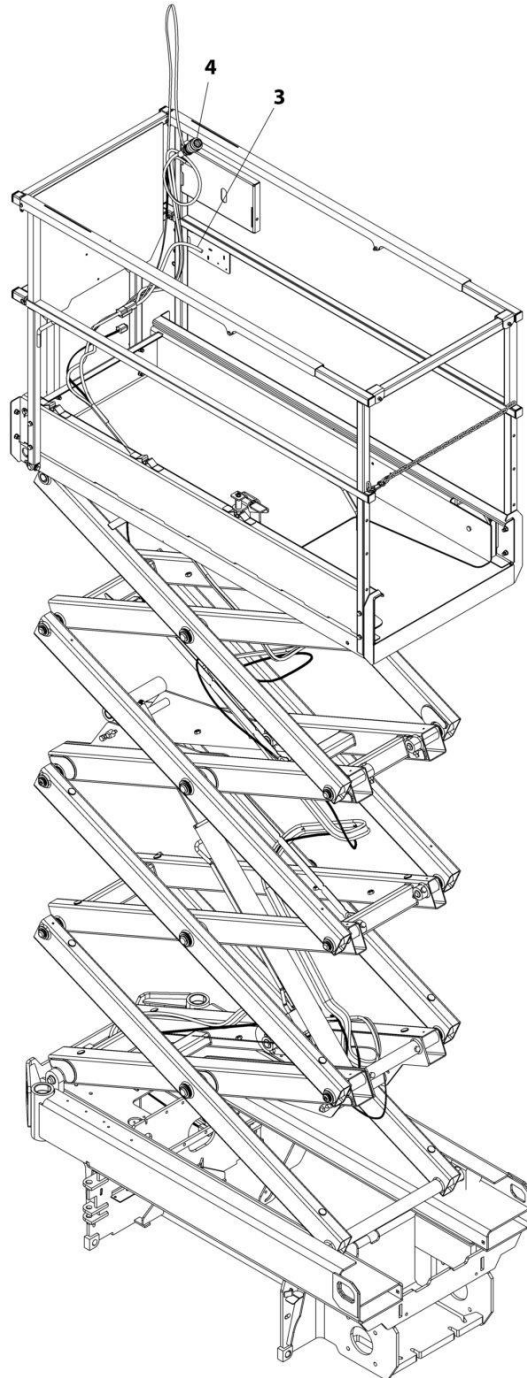
## SECTION 7 - ELECTRICAL

**FIGURE 7-25. GROUND TO PLATFORM CABLE INSTALLATION - R1532I WITH PLATFORM COIL CABLE AND FOOTSWITCH**

ITEM	PART NUMBER	QTY	DESCRIPTION	REV
	1001225493	Ref	GROUND TO PLATFORM CABLE INSTALLATION	A
1	4240017	AR	Tie-Strap (Not Shown)	
2	1001223262	1	Platform Harness	
2	4460899	1	Receptacle, Female - 6 Position (To Item 3)	
2	4460464	4	Pin, Male	
2	4460943	2	Pin, Male	
2	4460754	1	Connector - 14 Position (To Console Box)	
2	4460465	8	Socket, Female	
2	4460944	2	Socket, Female	
2	4460466	4	Plug, Terminal	
2	4460891	1	Plug, Male - 2 Position (To Footswitch)	
2	4460465	2	Socket, Female	
2	4460897	1	Receptacle, Female - 2 Position (Footswitch Jumper)	
2	4460464	2	Pin, Male	
2	4460539	1	Plug, Male - 3 Position (To Overhead Switches)	
2	4460465	2	Socket, Female	
2	4460466	1	Plug, Terminal	
3	1001225377	1	Cable Assembly - Ground to Platform	
3	4460894	1	Plug, Male - 6 Position (To Platform Harness Item 2)	
3	4460465	4	Socket, Female	
3	4460944	2	Socket, Female	
3	4460899	1	Receptacle, Female - 6 Position (To Chassis Harness)	
3	4460464	4	Pin, Male	
3	4460943	2	Pin, Male	

## SECTION 7 - ELECTRICAL

**FIGURE 7-26. GROUND TO PLATFORM CABLE INSTALLATION – R1932i/R1932 WITHOUT PLATFORM COIL CABLE (ALL SPECS EXCEPT AUSTRALIAN AND KOREA SPECS)**



ART\_1001201087

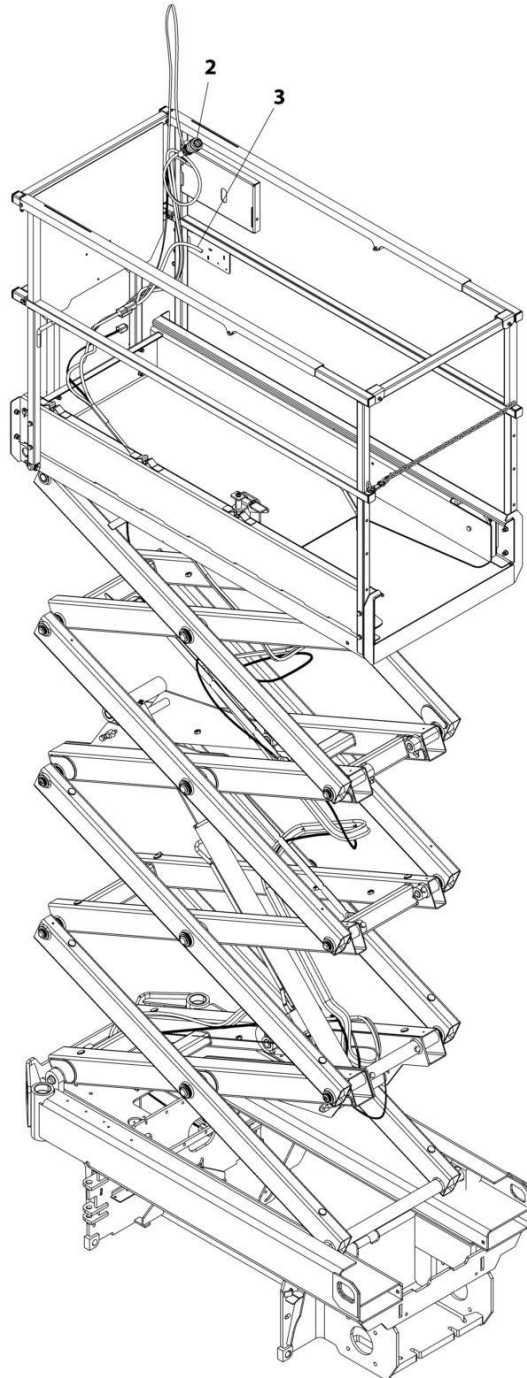
## SECTION 7 - ELECTRICAL

**FIGURE 7-26. GROUND TO PLATFORM CABLE INSTALLATION – R1932i/R1932 WITHOUT PLATFORM COIL CABLE (ALL SPECS EXCEPT AUSTRALIAN AND KOREA SPECS)**

ITEM	PART NUMBER	QTY	DESCRIPTION	REV
	1001201087	Ref	GROUND TO PLATFORM CABLE INSTALLATION	E
1	4240017	AR	Tie-Strap (Not Shown)	
3	1001200811	1	Cable Assembly - Ground to Platform	
3	4460894	1	Plug, Male - 6 Position (To Platform Harness Item 4)	
3	4460465	4	Socket, Female	
3	4460944	2	Socket, Female	
3	4460899	1	Receptacle, Female - 6 Position (To Chassis Harness)	
3	4460464	4	Pin, Male	
3	4460943	2	Pin, Male	
4	1001200812	1	Platform Harness	
4	4460899	1	Receptacle, Female - 6 Position (To Item 3)	
4	4460464	4	Pin, Male	
4	4460943	2	Pin, Male	
4	4460754	1	Connector - 14 Position (To Console Box)	
4	4460465	8	Socket, Female	
4	4460466	6	Plug, Terminal	

## SECTION 7 - ELECTRICAL

FIGURE 7-27. GROUND TO PLATFORM CABLE INSTALLATION - R1932 WITHOUT PLATFORM COIL CABLE (AUSTRALIAN SPECS)



ART\_1001230932

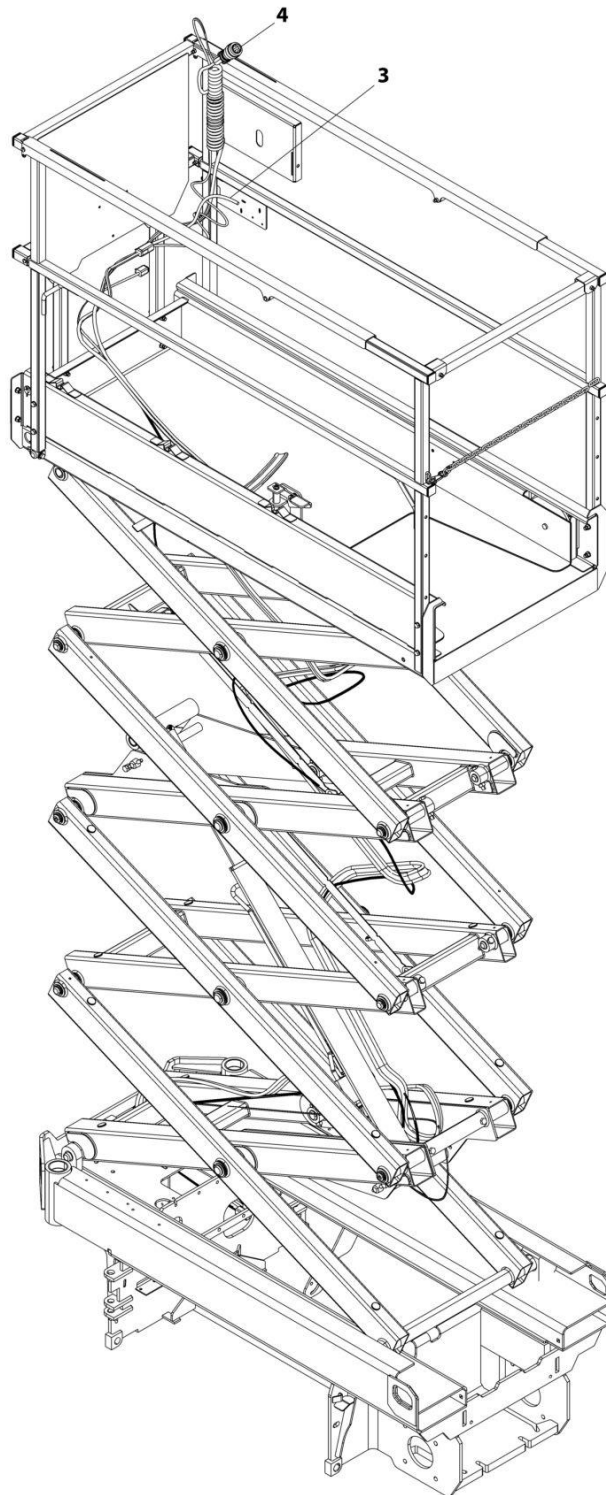
## SECTION 7 - ELECTRICAL

**FIGURE 7-27. GROUND TO PLATFORM CABLE INSTALLATION - R1932 WITHOUT PLATFORM COIL CABLE (AUSTRALIAN SPECS)**

ITEM	PART NUMBER	QTY	DESCRIPTION	REV
	1001230932	Ref	GROUND TO PLATFORM CABLE INSTALLATION	A
1	4240017	AR	Tie-Strap (Not Shown)	
2	1001200812	1	Platform Harness	
2	4460899	1	Receptacle, Female - 6 Position (To Item 3)	
2	4460464	4	Pin, Male	
2	4460943	2	Pin, Male	
2	4460754	1	Connector - 14 Position (To Console Box)	
2	4460465	8	Socket, Female	
2	4460466	6	Plug, Terminal	
3	1001230839	1	Cable Assembly - Ground to Platform	
3	4460894	1	Plug, Male - 6 Position (To Platform Harness Item 2)	
3	4460465	4	Socket, Female	
3	4460944	2	Socket, Female	
3	4460899	1	Receptacle, Female - 6 Position (To Chassis Harness)	
3	4460464	4	Pin, Male	
3	4460943	2	Pin, Male	

## SECTION 7 - ELECTRICAL

FIGURE 7-28. GROUND TO PLATFORM CABLE INSTALLATION - R1932I/R1932 WITH PLATFORM COIL CABLE (ALL SPECS EXCEPT AUSTRALIAN AND KOREA SPECS AND NOBLE)



ART\_1001203630

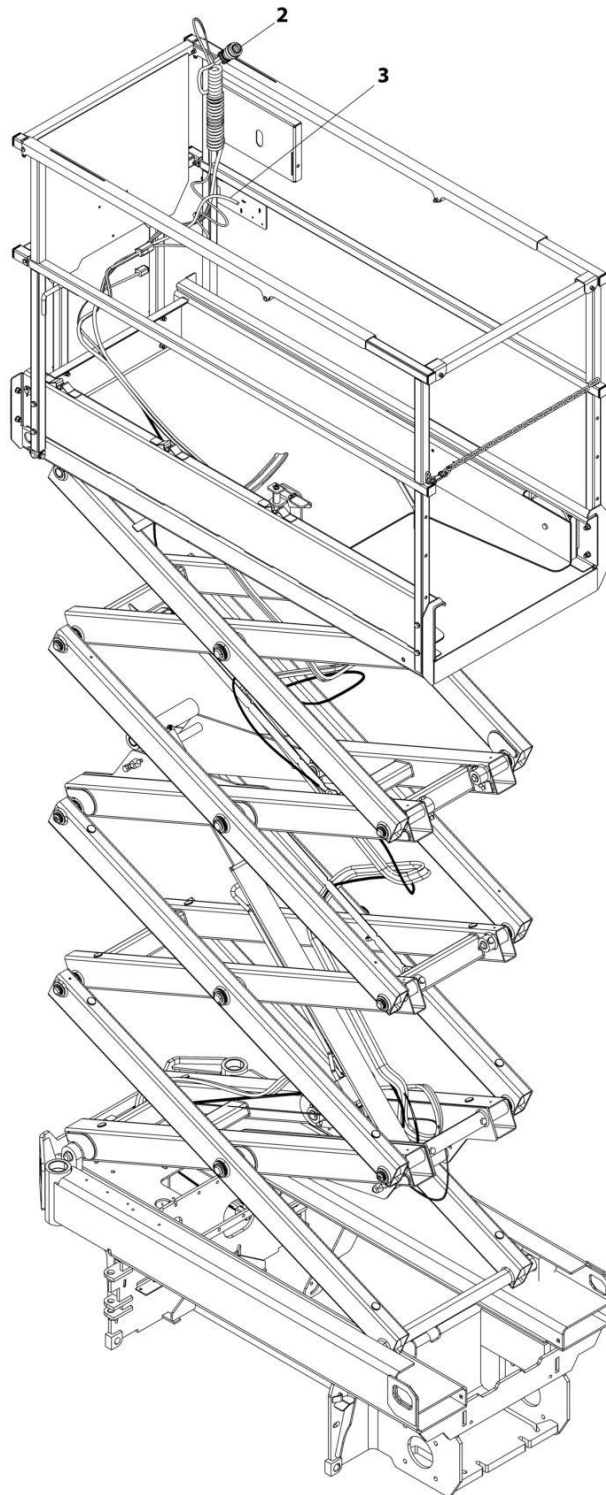
## SECTION 7 - ELECTRICAL

**FIGURE 7-28. GROUND TO PLATFORM CABLE INSTALLATION - R1932i/R1932 WITH PLATFORM COIL CABLE (ALL SPECS EXCEPT AUSTRALIAN AND KOREA SPECS AND NOBLE)**

ITEM	PART NUMBER	QTY	DESCRIPTION	REV
	1001203630	Ref	GROUND TO PLATFORM CABLE INSTALLATION	E
1	4240017	AR	Tie-Strap (Not Shown)	
3	1001200811	1	Cable Assembly - Ground to Platform	
3	4460894	1	Plug, Male - 6 Position (To Platform Harness Item 4)	
3	4460465	4	Socket, Female	
3	4460944	2	Socket, Female	
3	4460899	1	Receptacle, Female - 6 Position (To Chassis Harness)	
3	4460464	4	Pin, Male	
3	4460943	2	Pin, Male	
4	1001202184	1	Platform Harness	
4	4460899	1	Receptacle, Female - 6 Position (To Item 3)	
4	4460464	4	Pin, Male	
4	4460943	2	Pin, Male	
4	4460754	1	Connector - 14 Position (To Console Box)	
4	4460465	8	Socket, Female	
4	4460466	6	Plug, Terminal	

## SECTION 7 - ELECTRICAL

FIGURE 7-29. GROUND TO PLATFORM CABLE INSTALLATION - R1932 WITH PLATFORM COIL CABLE (AUSTRALIAN SPECS)



ART\_1001230933



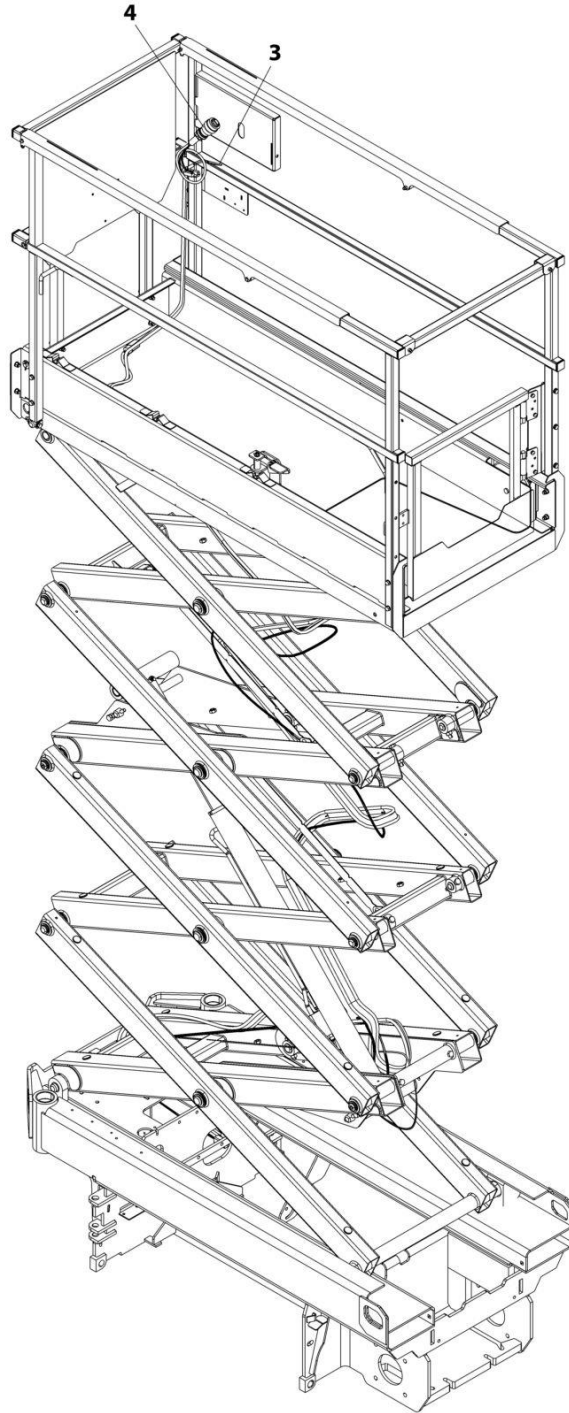
## SECTION 7 - ELECTRICAL

**FIGURE 7-29. GROUND TO PLATFORM CABLE INSTALLATION - R1932 WITH PLATFORM COIL CABLE (AUSTRALIAN SPECS)**

ITEM	PART NUMBER	QTY	DESCRIPTION	REV
	1001230933	Ref	GROUND TO PLATFORM CABLE INSTALLATION	A
1	4240017	AR	Tie-Strap (Not Shown)	
2	1001202184	1	Platform Harness	
2	4460899	1	Receptacle, Female - 6 Position (To Item 3)	
2	4460464	4	Pin, Male	
2	4460943	2	Pin, Male	
2	4460754	1	Connector - 14 Position (To Console Box)	
2	4460465	8	Socket, Female	
2	4460466	6	Plug, Terminal	
3	1001230839	1	Cable Assembly - Ground to Platform	
3	4460894	1	Plug, Male - 6 Position (To Platform Harness Item 2)	
3	4460465	4	Socket, Female	
3	4460944	2	Socket, Female	
3	4460899	1	Receptacle, Female - 6 Position (To Chassis Harness)	
3	4460464	4	Pin, Male	
3	4460943	2	Pin, Male	

## SECTION 7 - ELECTRICAL

FIGURE 7-30. GROUND TO PLATFORM CABLE INSTALLATION - R1932i/R1932 WITHOUT PLATFORM COIL CABLE AND WITH FOOTSWITCH



ART\_1001201129\_F

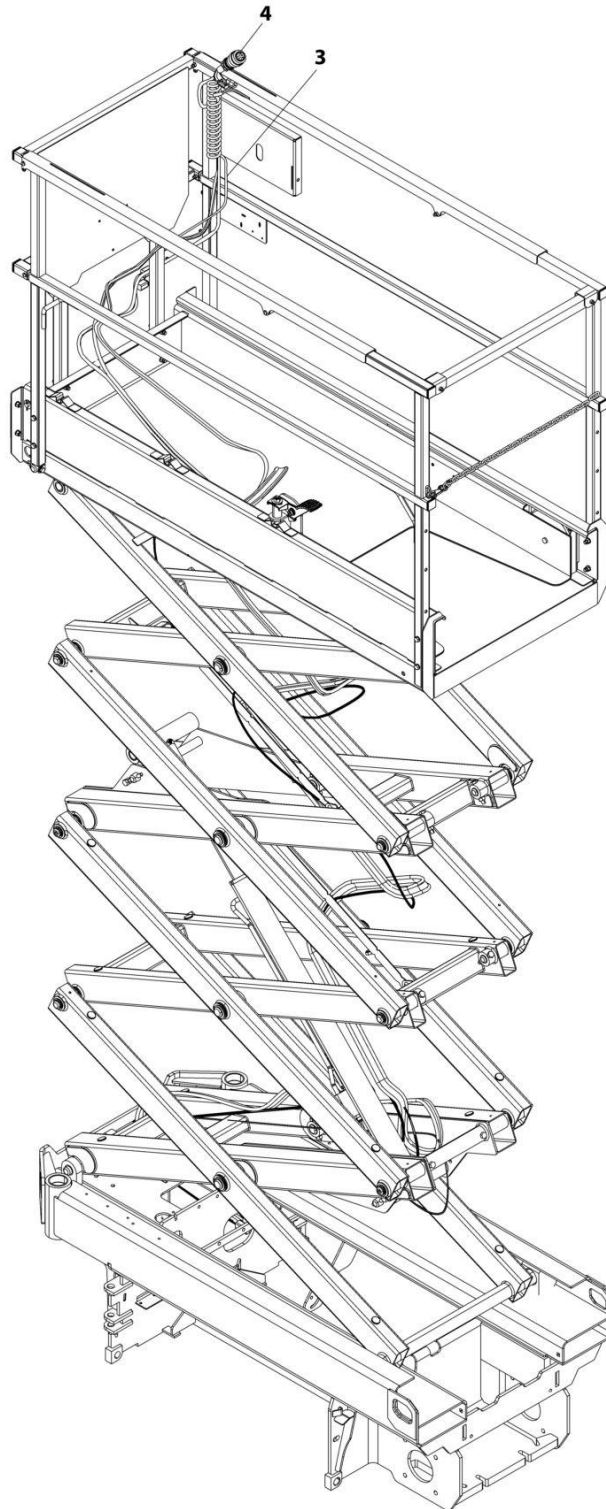
## SECTION 7 - ELECTRICAL

**FIGURE 7-30. GROUND TO PLATFORM CABLE INSTALLATION - R1932i/R1932 WITHOUT PLATFORM COIL CABLE AND WITH FOOTSWITCH**

ITEM	PART NUMBER	QTY	DESCRIPTION	REV
	1001201129	Ref	GROUND TO PLATFORM CABLE INSTALLATION	F
		Ref	Note: Only Available on Japanese Specs.	
1	4240017	AR	Tie-Strap (Not Shown)	
3	1001200811	1	Cable Assembly - Ground to Platform	
3	4460894	1	Plug, Male - 6 Position (To Platform Harness Item 4)	
3	4460465	4	Socket, Female	
3	4460944	2	Socket, Female	
3	4460899	1	Receptacle, Female - 6 Position (To Chassis Harness)	
3	4460464	4	Pin, Male	
3	4460943	2	Pin, Male	
4	1001223263	1	Platform Harness	
4	4460899	1	Receptacle, Female - 6 Position (To Item 3)	
4	4460464	4	Pin, Male	
4	4460943	2	Pin, Male	
4	4460754	1	Connector - 14 Position (To Console Box)	
4	4460465	8	Socket, Female	
4	4460944	2	Socket, Female	
4	4460466	4	Plug, Terminal	
4	4460891	1	Plug, Male - 2 Position (To Footswitch)	
4	4460465	2	Socket, Female	
4	4460897	1	Receptacle, Female - 2 Position (Footswitch Jumper)	
4	4460464	2	Pin, Male	
4	4460539	1	Plug, Male - 3 Position (To Overhead Switches)	
4	4460465	2	Socket, Female	
4	4460466	1	Plug, Terminal	

## SECTION 7 - ELECTRICAL

FIGURE 7-31. GROUND TO PLATFORM CABLE INSTALLATION - R1932I/R1932 WITH PLATFORM COIL CABLE AND FOOTSWITCH



ART\_1001203631\_F

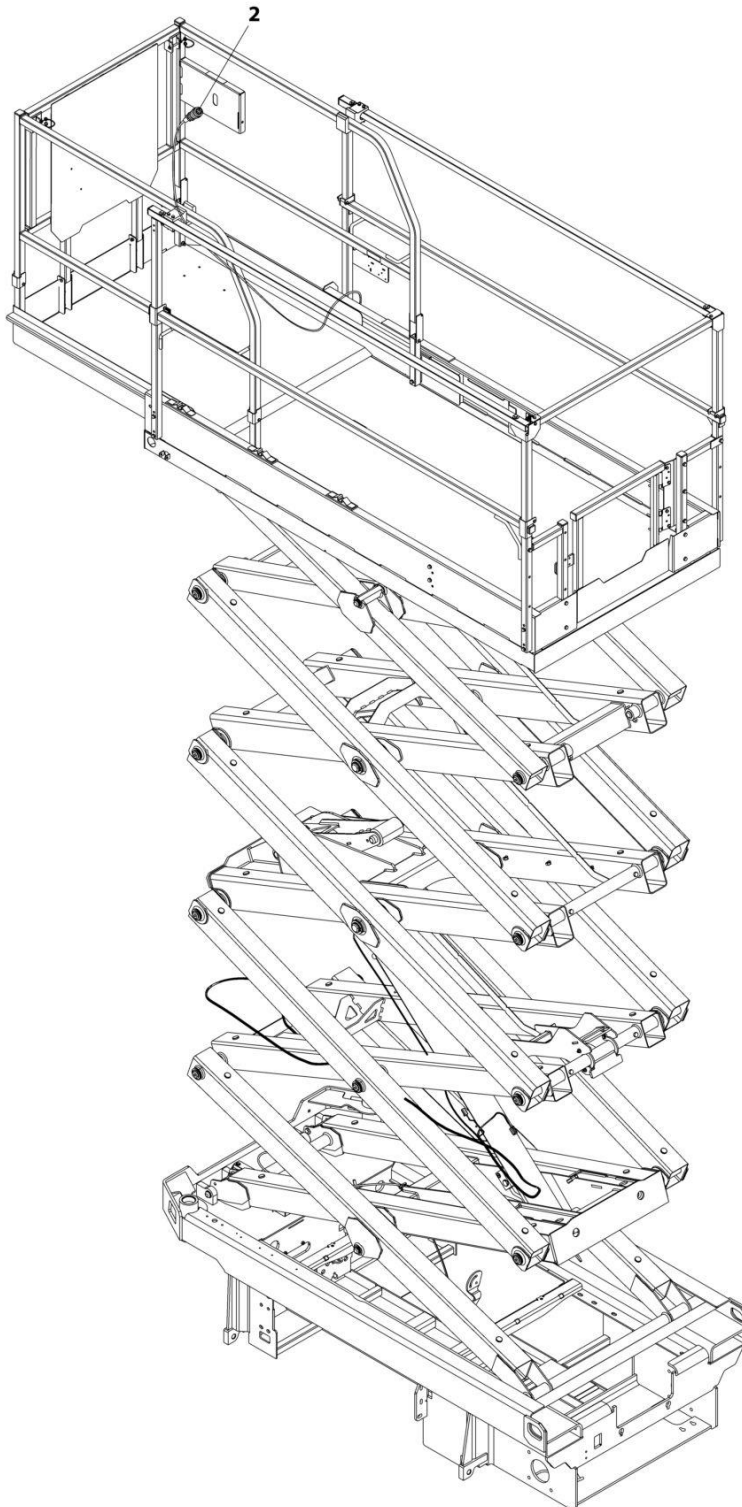
## SECTION 7 - ELECTRICAL

**FIGURE 7-31. GROUND TO PLATFORM CABLE INSTALLATION - R1932i/R1932 WITH PLATFORM COIL CABLE AND FOOTSWITCH**

ITEM	PART NUMBER	QTY	DESCRIPTION	REV
	1001203631	Ref	GROUND TO PLATFORM CABLE INSTALLATION	F
		Ref	Note: Only Available on Japanese Specs.	
1	4240017	AR	Tie-Strap (Not Shown)	
3	1001200811	1	Cable Assembly - Ground to Platform	
3	4460894	1	Plug, Male - 6 Position (To Platform Harness Item 4)	
3	4460465	4	Socket, Female	
3	4460944	2	Socket, Female	
3	4460899	1	Receptacle, Female - 6 Position (To Chassis Harness)	
3	4460464	4	Pin, Male	
3	4460943	2	Pin, Male	
4	1001223262	1	Platform Harness	
4	4460899	1	Receptacle, Female - 6 Position (To Item 3)	
4	4460464	4	Pin, Male	
4	4460943	2	Pin, Male	
4	4460754	1	Connector - 14 Position (To Console Box)	
4	4460465	8	Socket, Female	
4	4460944	2	Socket, Female	
4	4460466	4	Plug, Terminal	
4	4460891	1	Plug, Male - 2 Position (To Footswitch)	
4	4460465	2	Socket, Female	
4	4460897	1	Receptacle, Female - 2 Position (Footswitch Jumper)	
4	4460464	2	Pin, Male	
4	4460539	1	Plug, Male - 3 Position (To Overhead Switches)	
4	4460465	2	Socket, Female	
4	4460466	1	Plug, Terminal	

## SECTION 7 - ELECTRICAL

FIGURE 7-32. GROUND TO PLATFORM CABLE INSTALLATION - R1932i/R1932 WITH PLATFORM STRAIGHT CABLE ONLY (EUROPEAN BUILT MACHINES)



ART\_1001223650

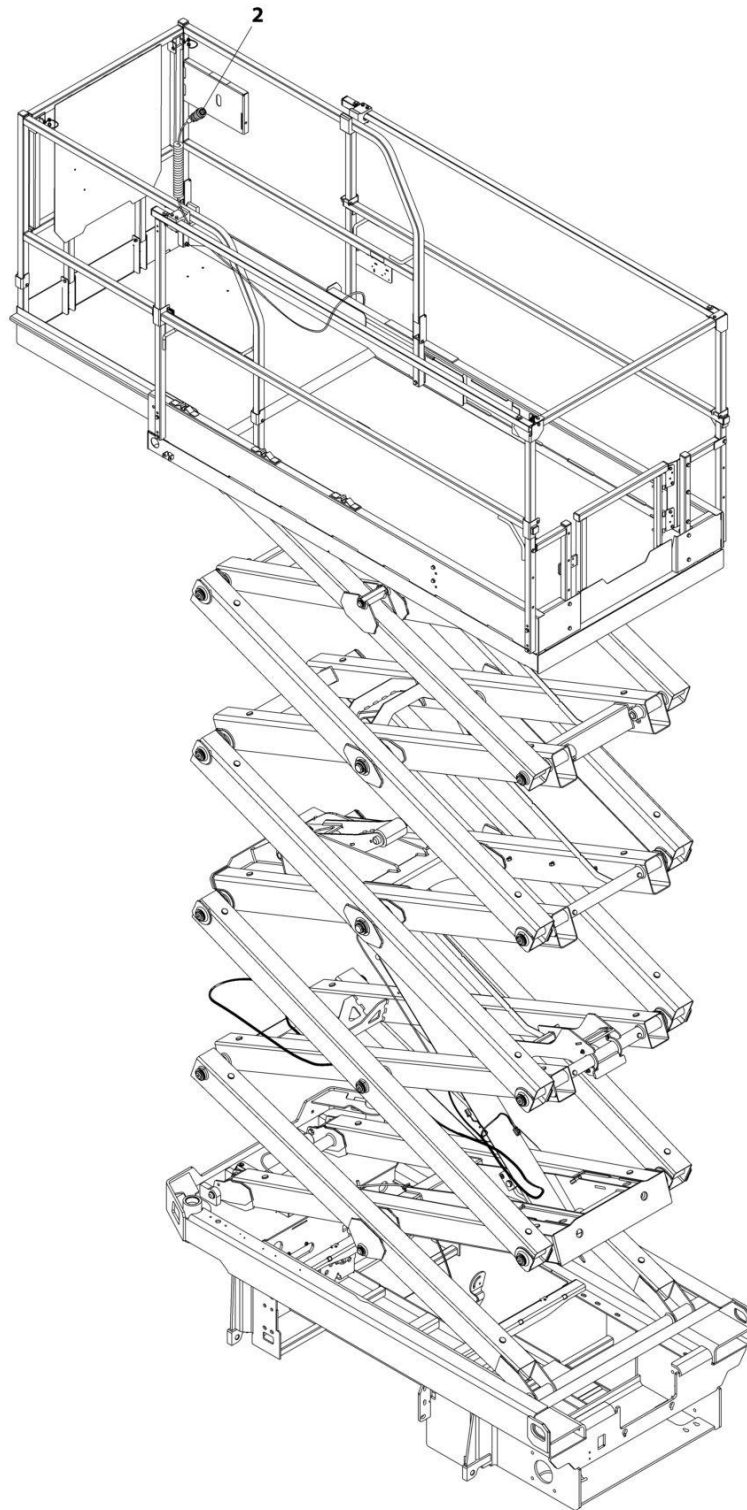
## SECTION 7 - ELECTRICAL

**FIGURE 7-32. GROUND TO PLATFORM CABLE INSTALLATION - R1932I/R1932 WITH PLATFORM STRAIGHT CABLE ONLY (EUROPEAN BUILT MACHINES)**

ITEM	PART NUMBER	QTY	DESCRIPTION	REV
	1001223650	Ref	GROUND TO PLATFORM CABLE INSTALLATION	A
1	4240017	AR	Tie-Strap (Not Shown)	
2	1001200812	1	Platform Harness	
2	4460899	1	Receptacle, Female - 6 position (To Platform/AC Cable Connector)	
2	4460464	4	Pin, Male	
2	4460943	2	Pin, Male	
2	4460754	1	Connector - 14 Position (To Console Box)	
2	4460465	8	Socket, Female	
2	4460466	6	Plug, Terminal	

## SECTION 7 - ELECTRICAL

FIGURE 7-33. GROUND TO PLATFORM CABLE INSTALLATION - R1932i/R1932 WITH PLATFORM COIL CABLE ONLY (EUROPEAN BUILT MACHINES)



ART\_1001223651



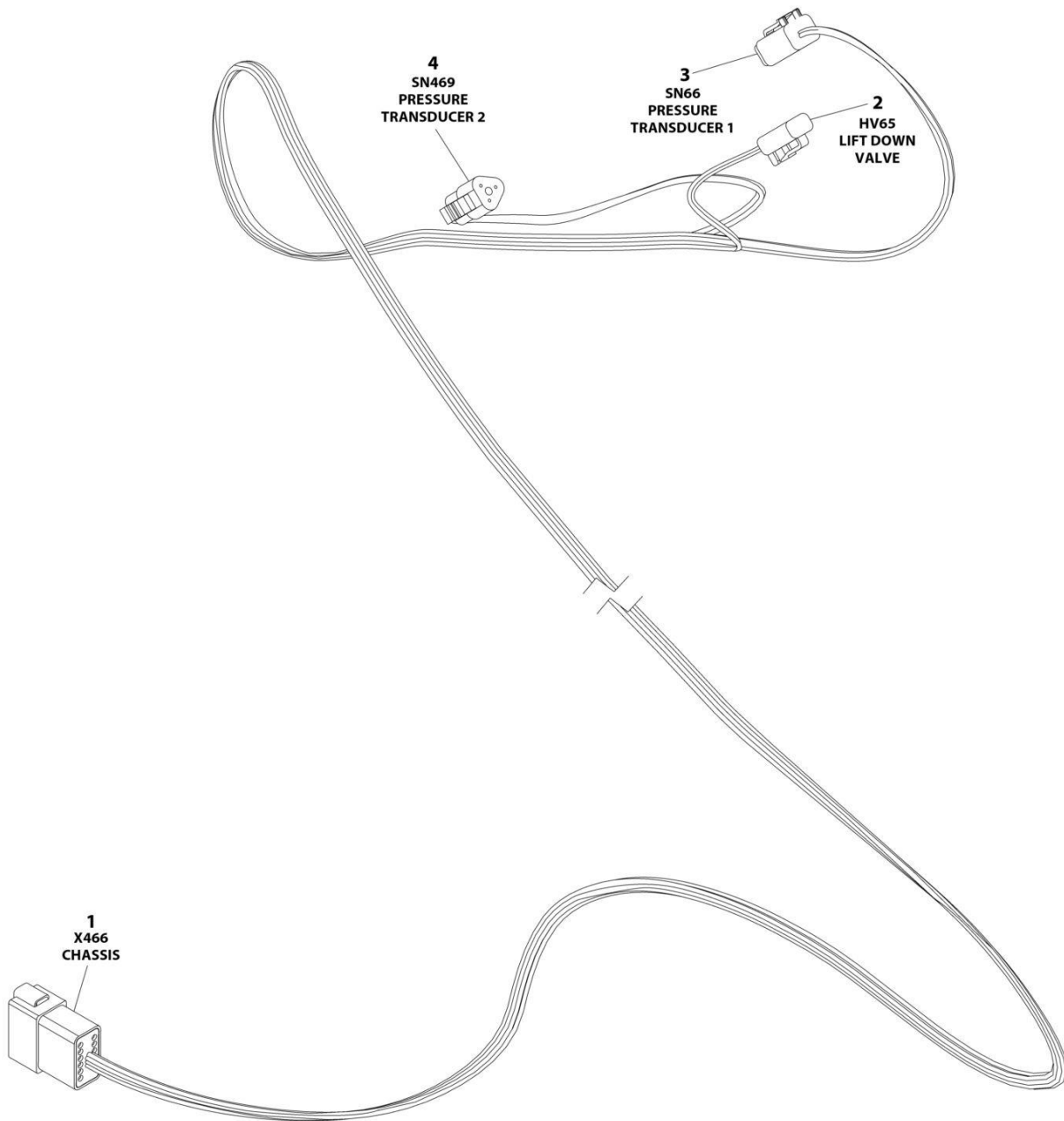
## SECTION 7 - ELECTRICAL

**FIGURE 7-33. GROUND TO PLATFORM CABLE INSTALLATION - R1932I/R1932 WITH PLATFORM COIL CABLE ONLY (EUROPEAN BUILT MACHINES)**

ITEM	PART NUMBER	QTY	DESCRIPTION	REV
	1001223651	Ref	GROUND TO PLATFORM CABLE INSTALLATION	A
1	4240017	AR	Tie-Strap (Not Shown)	
2	1001202184	1	Platform Harness	
2	4460899	1	Receptacle, Female - 6 position (To Platform/AC Cable Connector)	
2	4460464	4	Pin, Male	
2	4460943	2	Pin, Male	
2	4460754	1	Connector - 14 Position (To Console Box)	
2	4460465	8	Socket, Female	
2	4460466	6	Plug, Terminal	

# SECTION 7 - ELECTRICAL

## FIGURE 7-34. LIFT DOWN HARNESS - WITH LSS



ART\_1001222687\_B

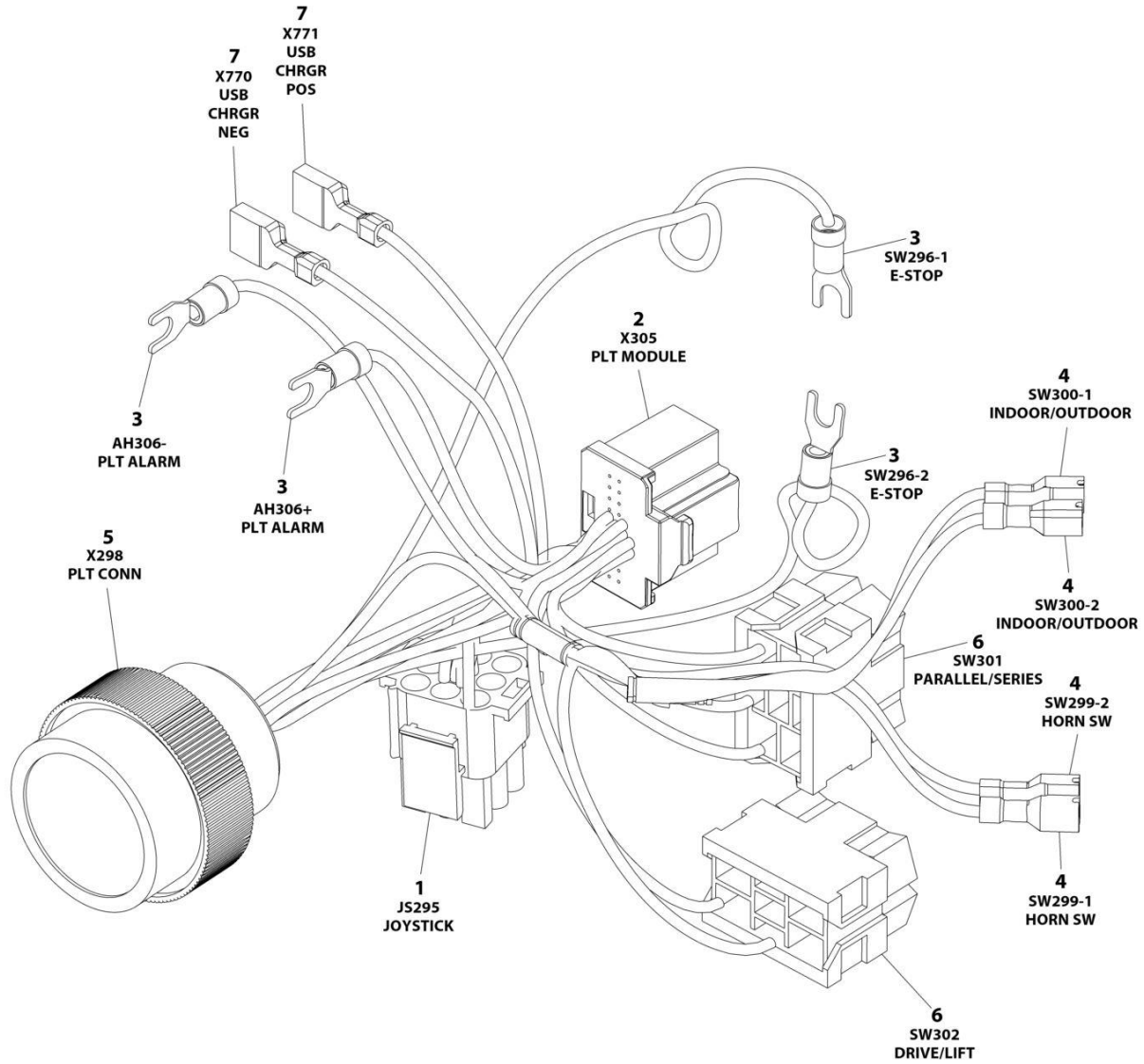
## SECTION 7 - ELECTRICAL

### FIGURE 7-34. LIFT DOWN HARNESS - WITH LSS

ITEM	PART NUMBER	QTY	DESCRIPTION	REV
	1001222687	Ref	LIFT DOWN HARNESS - WITH LSS	B
1	4460970	1	Receptacle, Female - 12 Position	
1	4460464	9	Pin, Male	
1	4460466	3	Plug, Terminal	
2	4460891	1	Plug, Male - 4 Position	
2	4460465	2	Socket, Female	
3	4460884	1	Plug, Male - 4 Position	
3	4460465	4	Socket, Female	
4	4460539	1	Plug, Male - 3 Position	
4	4460465	3	Socket, Female	

# SECTION 7 - ELECTRICAL

## FIGURE 7-35. PLATFORM BOX HARNESS



ART\_1001200819

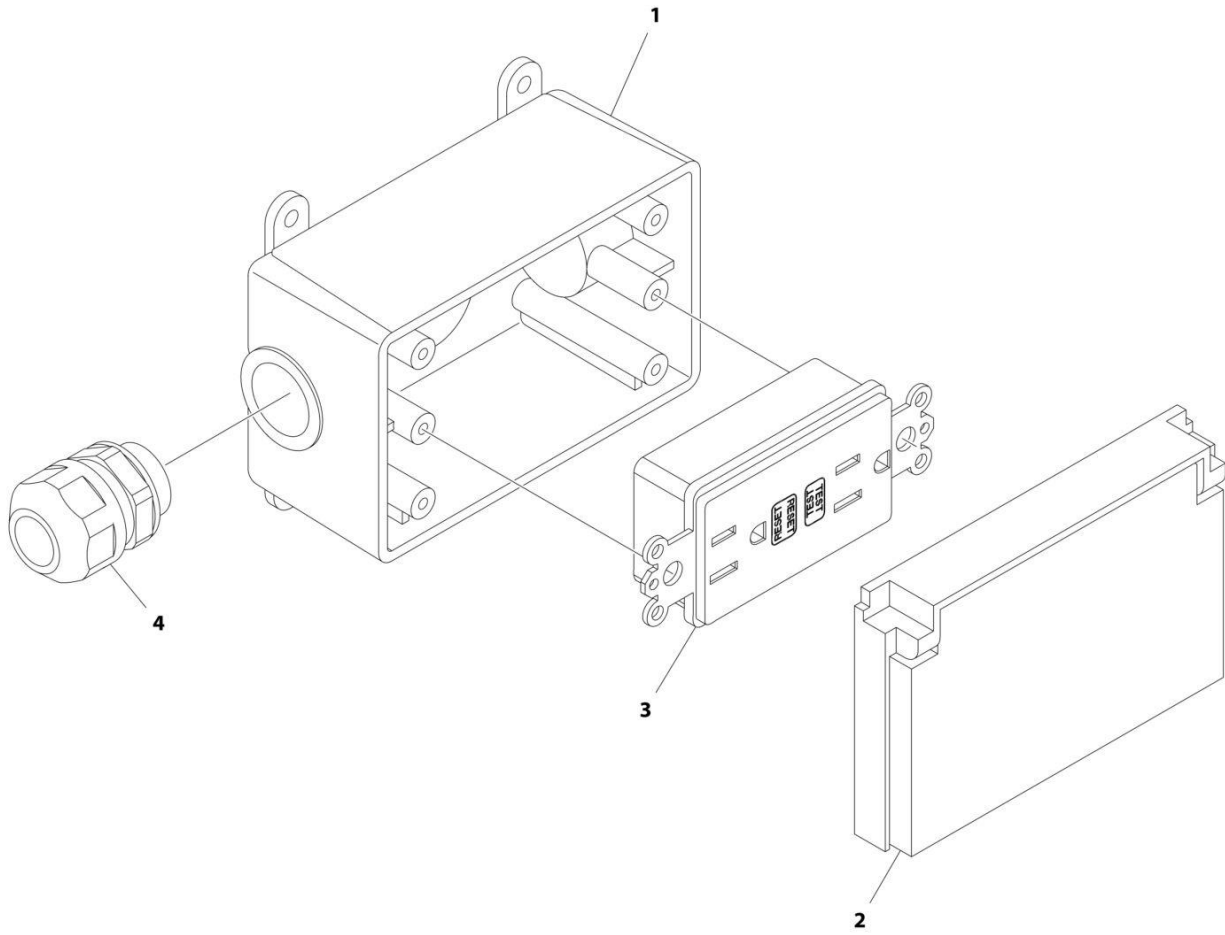
## SECTION 7 - ELECTRICAL

### FIGURE 7-35. PLATFORM BOX HARNESS

ITEM	PART NUMBER	QTY	DESCRIPTION	REV
	1001200819	Ref	PLATFORM CONTROL BOX HARNESS	D
1	4460265	1	Plug, Male - 9 Position	
1	4460267	6	Pin, Male	
2	1001212036	1	Connector - 20 Position	
2	1001212035	16	Terminal	
3	4460183	4	Terminal, Fork	
4	1001201885	4	Terminal with Cover	
5	4461016	1	Connector - 14 Position	
5	4460464	8	Pin, Male	
5	4460466	6	Plug, Terminal	
6	4460418	2	Connector - 6 Position	
6	1001159186	5	Terminal	
7	1001194421	2	Terminal	

# SECTION 7 - ELECTRICAL

## FIGURE 7-36. RECEPTACLE BOX KIT - 110V GFI



ART\_2902431

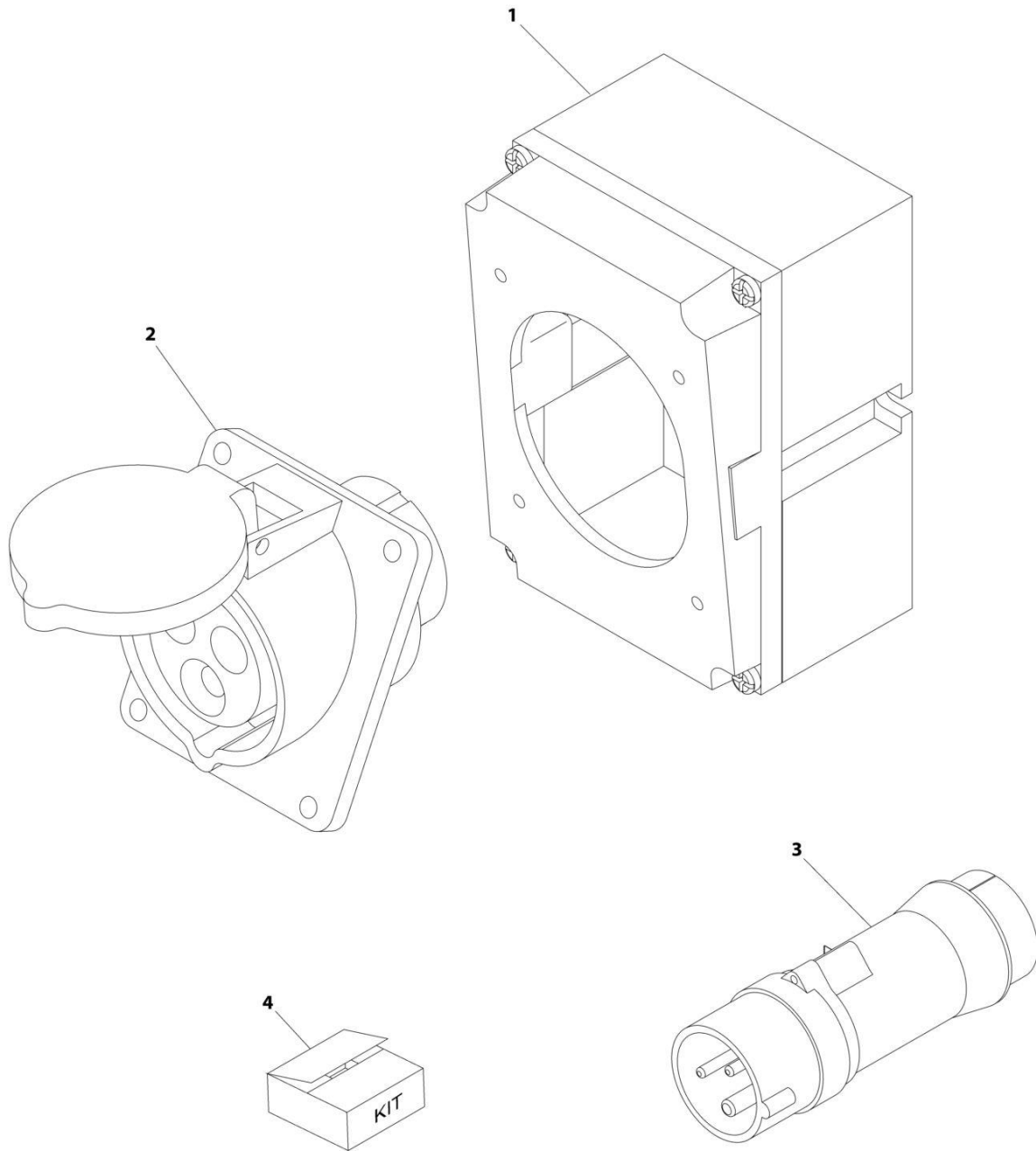
## SECTION 7 - ELECTRICAL

### FIGURE 7-36. RECEPTACLE BOX KIT - 110V GFI

ITEM	PART NUMBER	QTY	DESCRIPTION	REV
	2902431	Ref	RECEPTACLE BOX KIT - 110V GFI	D
1	0861731	1	Box, Receptacle	
2	1671207	1	Cover, Receptacle	
3	4460346	1	Receptacle	
4	4460662	1	Connector, Strain Relief	

# SECTION 7 - ELECTRICAL

FIGURE 7-37. RECEPTACLE BOX KIT - 110V IEC YELLOW (CE SPEC)



ART\_0275216



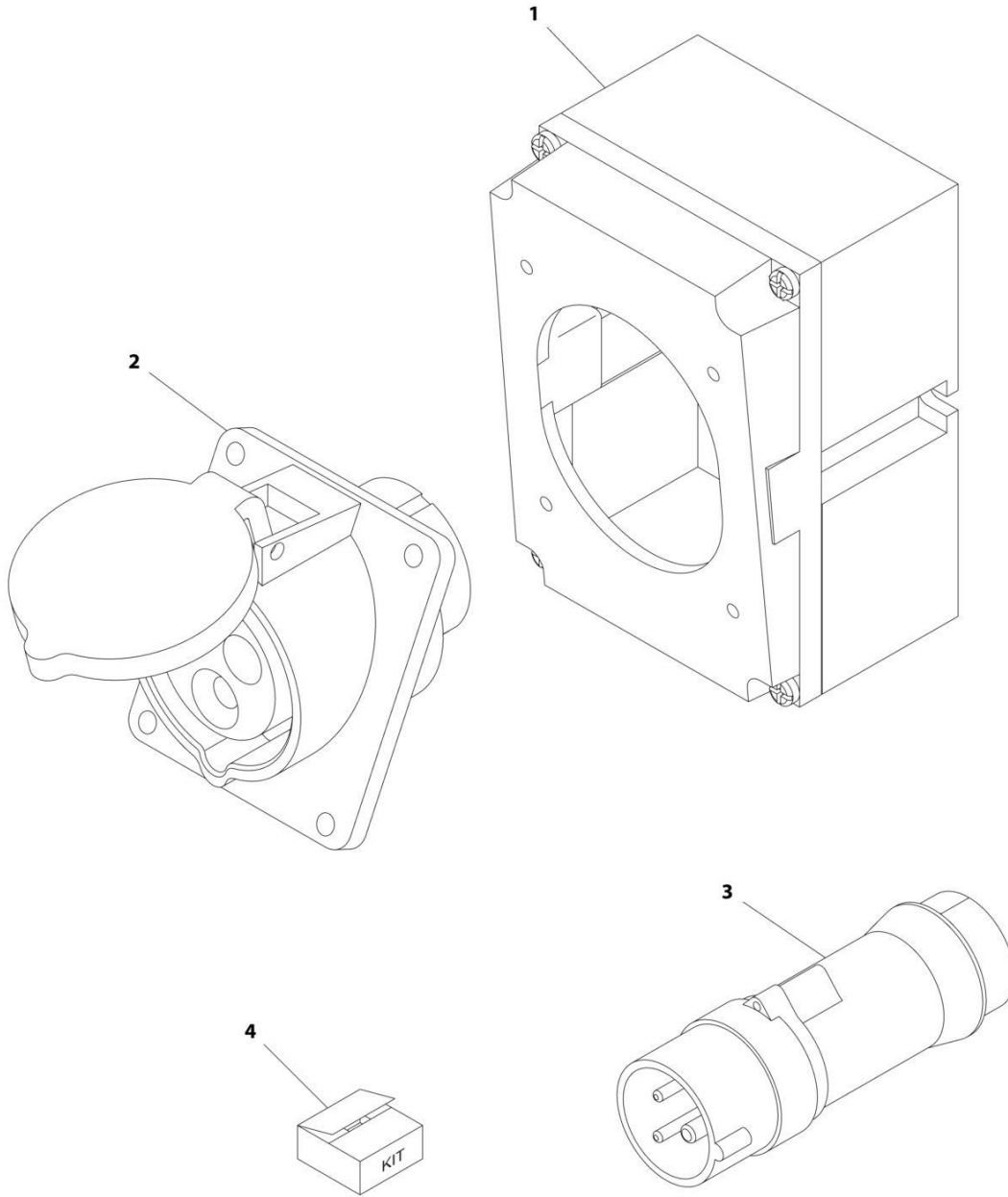
## SECTION 7 - ELECTRICAL

**FIGURE 7-37. RECEPTACLE BOX KIT - 110V IEC YELLOW (CE SPEC)**

ITEM	PART NUMBER	QTY	DESCRIPTION	REV
	0275216	Ref	RECEPTACLE BOX KIT - 110V IEC YELLOW	B
1	0861781	1	Box, Switch	
2	4461198	1	Receptacle	
3	4461196	1	Plug, Male	
4	1001100341	1	Plug and Socket Kit (Includes Items 1-3 and Female Plug p/n 4461197)	

# SECTION 7 - ELECTRICAL

FIGURE 7-38. RECEPTACLE BOX KIT - 220V IEC BLUE (CE SPEC)



ART\_0275217

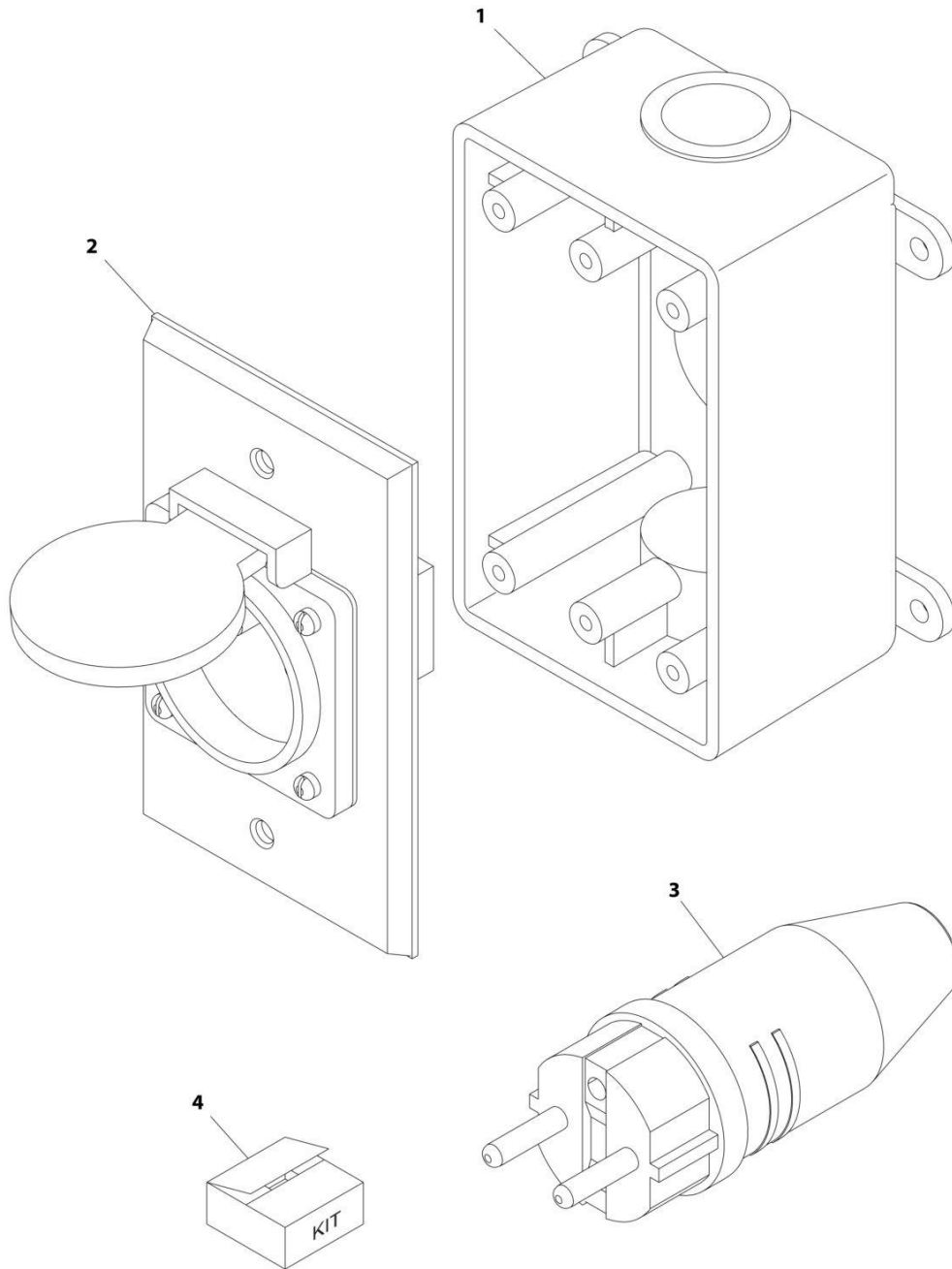
## SECTION 7 - ELECTRICAL

**FIGURE 7-38. RECEPTACLE BOX KIT - 220V IEC BLUE (CE SPEC)**

ITEM	PART NUMBER	QTY	DESCRIPTION	REV
	0275217	Ref	RECEPTACLE BOX KIT - 220V IEC BLUE	B
1	0861781	1	Box, Switch	
2	4461201	1	Receptacle	
3	4461199	1	Plug, Male	
4	1001100342	1	Plug and Socket Kit (Includes Items 1-3 and Female Plug p/n 4461200)	

# SECTION 7 - ELECTRICAL

FIGURE 7-39. RECEPTACLE BOX KIT - 220V CEE7 POST GROUND (CE SPEC)



ART\_0275452-C

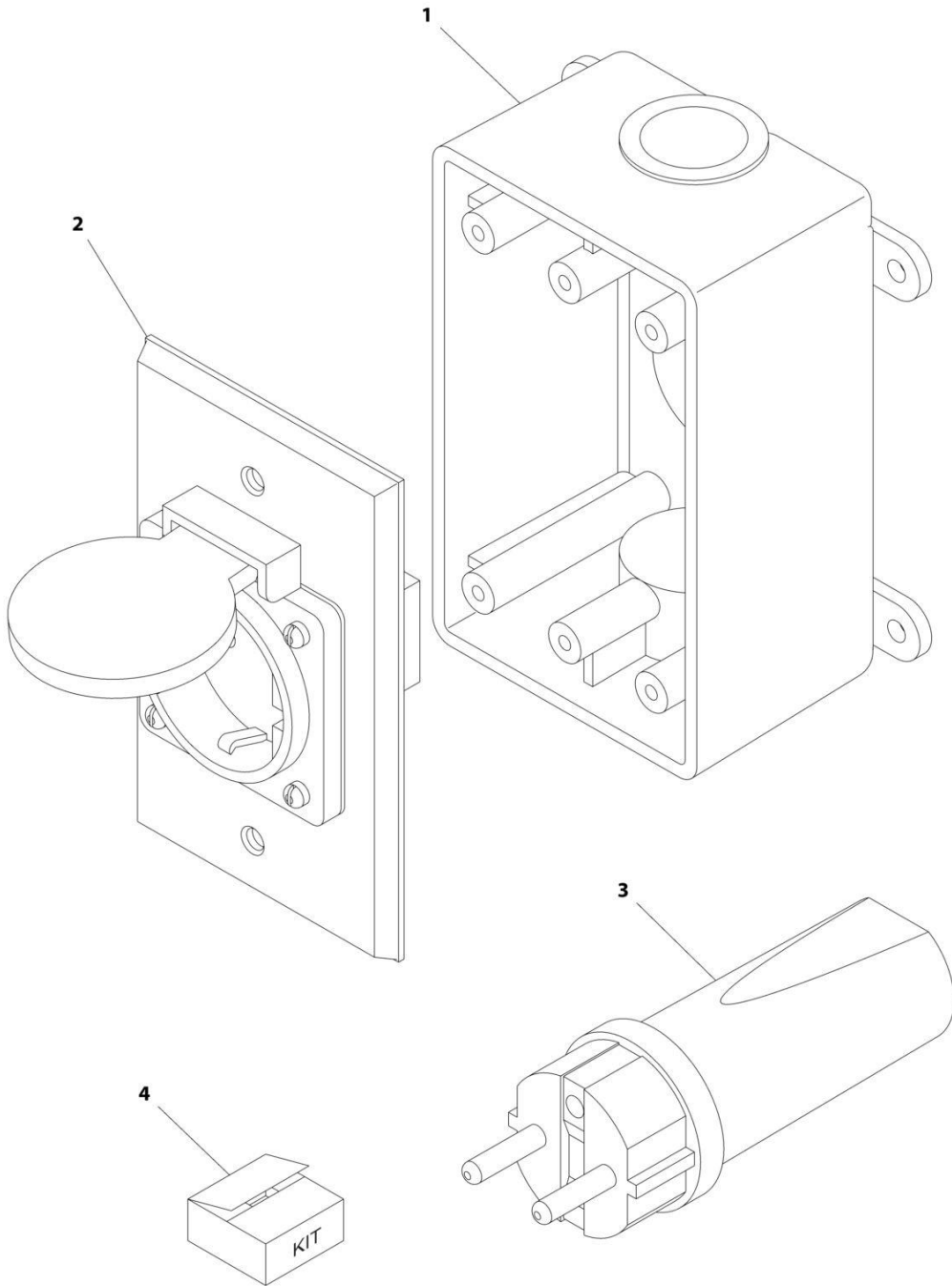
## SECTION 7 - ELECTRICAL

**FIGURE 7-39. RECEPTACLE BOX KIT - 220V CEE7 POST GROUND (CE SPEC)**

ITEM	PART NUMBER	QTY	DESCRIPTION	REV
	0275452	Ref	RECEPTACLE BOX KIT - 220V CEE7 POST GROUND 2IN X 4IN BOX	C
1	0861731	1	Box, Switch	
2	4461244	1	Receptacle	
3	4461205	1	Plug, Male	
4	1001100345	1	Plug and Socket Kit (Includes Items 1-3 and Female Plug p/n 4461203)	

# SECTION 7 - ELECTRICAL

## FIGURE 7-40. RECEPTACLE BOX KIT - 220V CEE7 SIDE GROUND (CE SPEC)



ART\_0275453

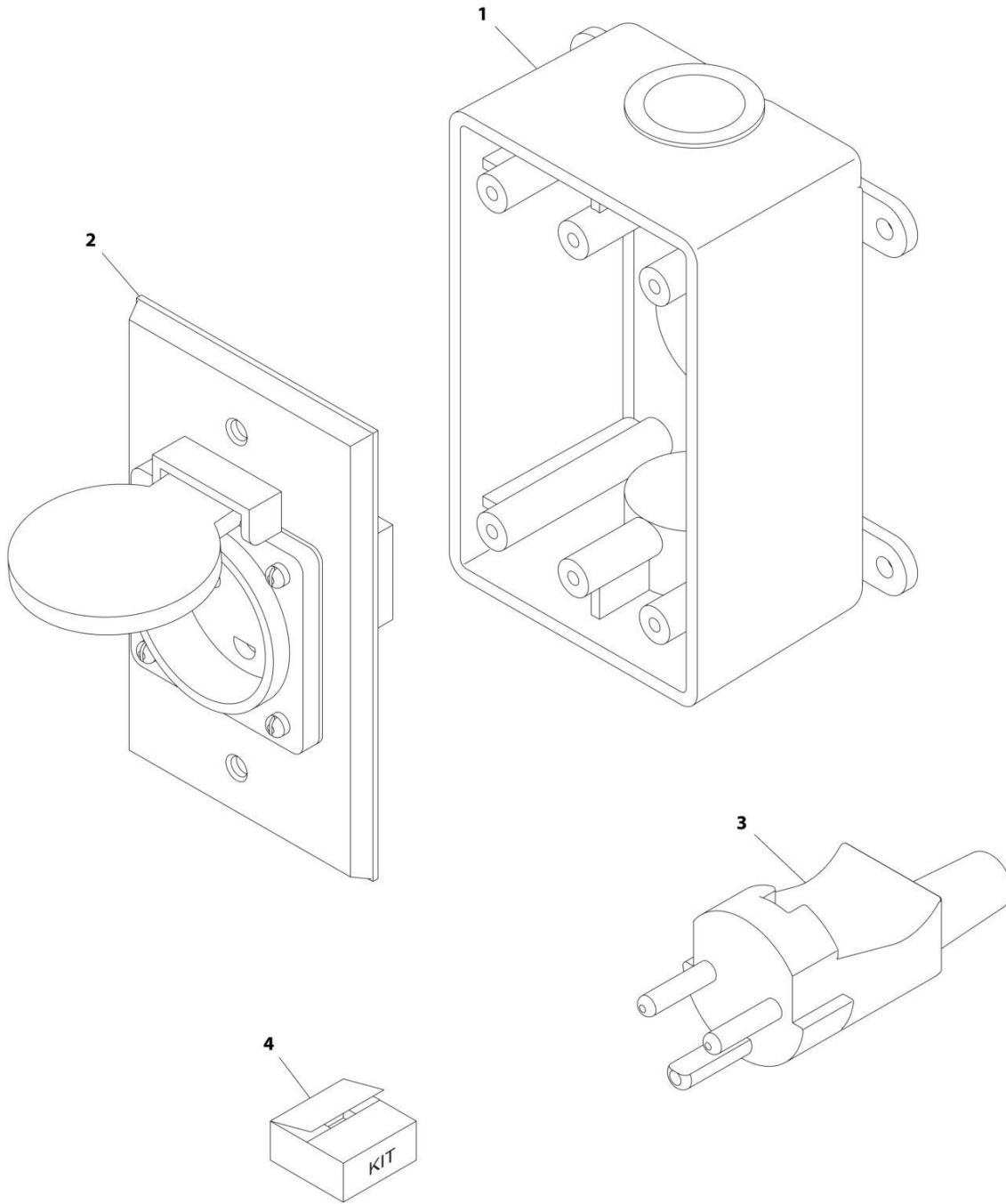
## SECTION 7 - ELECTRICAL

**FIGURE 7-40. RECEPTACLE BOX KIT - 220V CEE7 SIDE GROUND (CE SPEC)**

ITEM	PART NUMBER	QTY	DESCRIPTION	REV
	0275453	Ref	RECEPTACLE BOX KIT - 220V CEE7 SIDE GROUND	B
1	0861731	1	Box, Switch	
2	4461245	1	Receptacle	
3	4461205	1	Plug, Male	
4	1001100347	1	Plug and Socket Kit (Includes Items 1-3 and Female Plug p/n 4461206)	

# SECTION 7 - ELECTRICAL

FIGURE 7-41. RECEPTACLE BOX KIT - 220V AFSINT 107 (CE SPEC)



ART\_0275454



## SECTION 7 - ELECTRICAL

**FIGURE 7-41. RECEPTACLE BOX KIT - 220V AFSINT 107 (CE SPEC)**

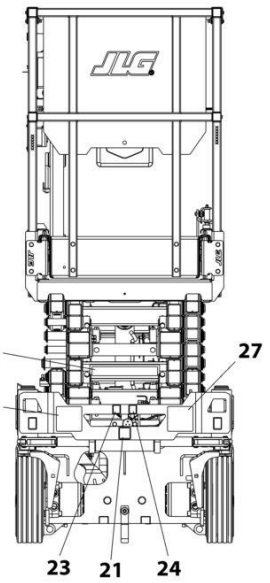
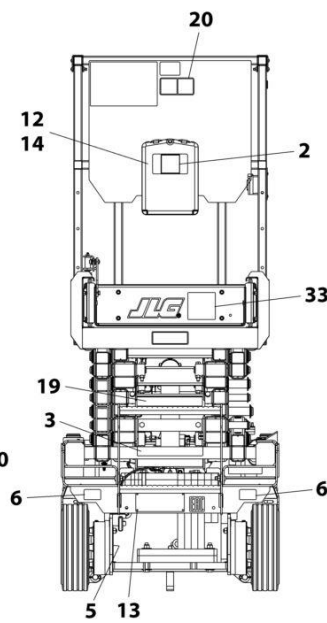
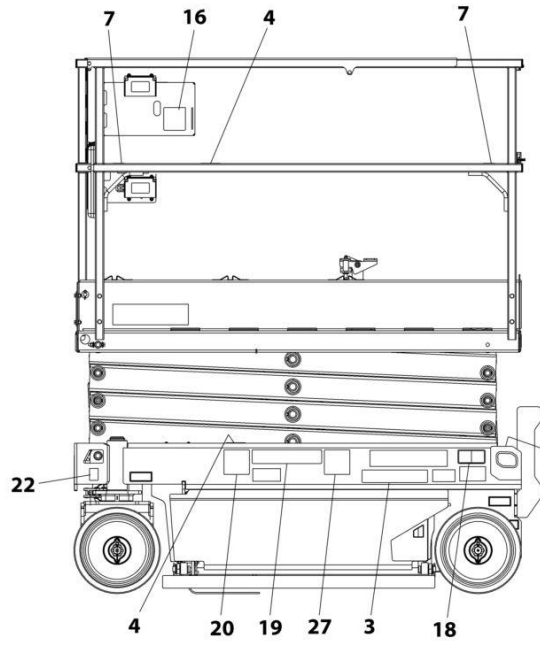
ITEM	PART NUMBER	QTY	DESCRIPTION	REV
	0275454	Ref	RECEPTACLE BOX KIT - 220V AFSINT 107	B
1	0861731	1	Box, Switch	
2	4461246	1	Receptacle	
3	4461249	1	Plug, Male	
4	1001100346	1	Plug and Socket Kit (Includes Items 1-3 and Female Plug p/n 4461250)	



**SECTION 8 - DECALS**

# SECTION 8 - DECALS

## FIGURE 8-1. DECAL INSTALLATION (ANSI SPEC)

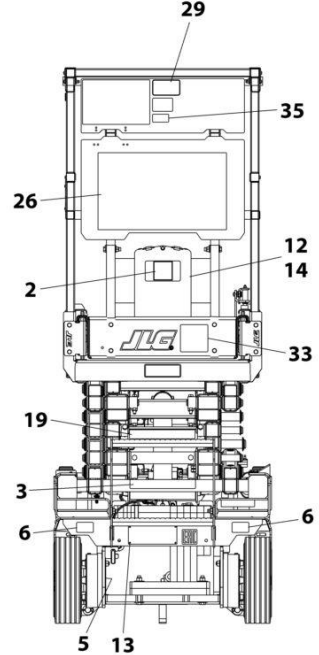
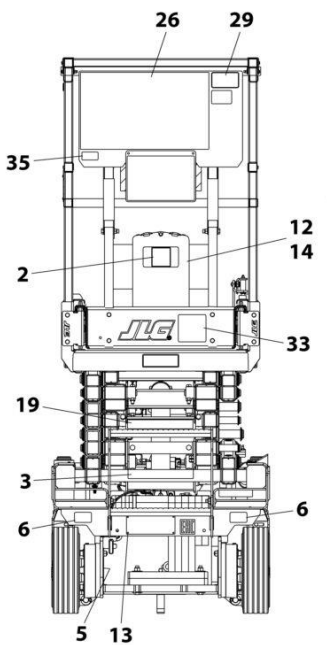
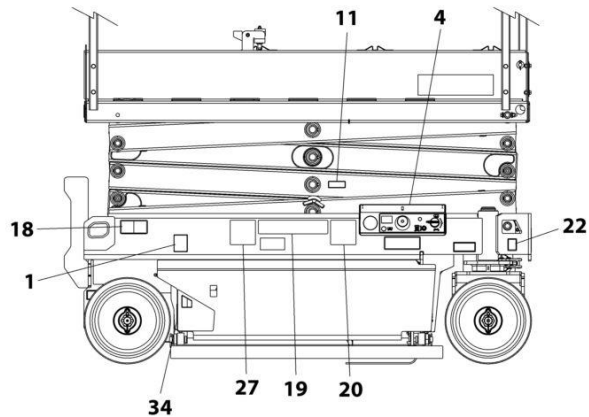


REAR VIEW - FIXED RAILS  
(LADDER AND PLATFORM BOX  
REMOVED FOR CLARITY)

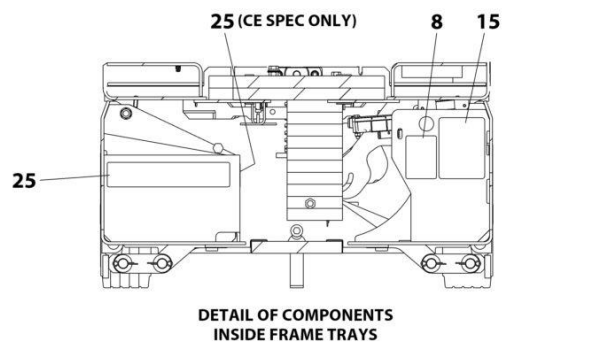
FRONT VIEW

NOTE: ITEMS SHOWN MAY NOT BE REQUIRED FOR ALL SPECS. REFER TO PARTS LISTS FOR USAGE.

NOTE: ADDITIONAL DECALS CALLED OUT ON DECAL INSTALLATION - OPTIONS.



REAR VIEW - FOLD-DOWN RAILS  
(LADDER AND PLATFORM BOX REMOVED FOR CLARITY)



DETAIL OF COMPONENTS  
INSIDE FRAME TRAYS

ART\_1001209907\_E

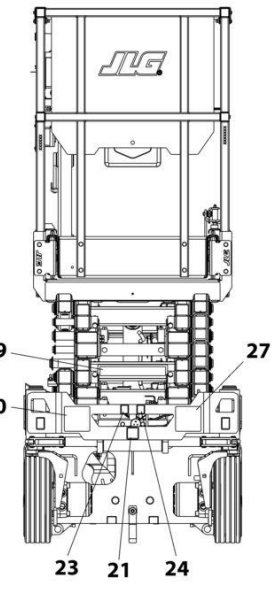
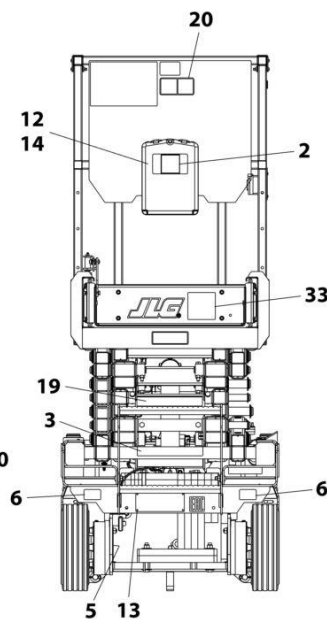
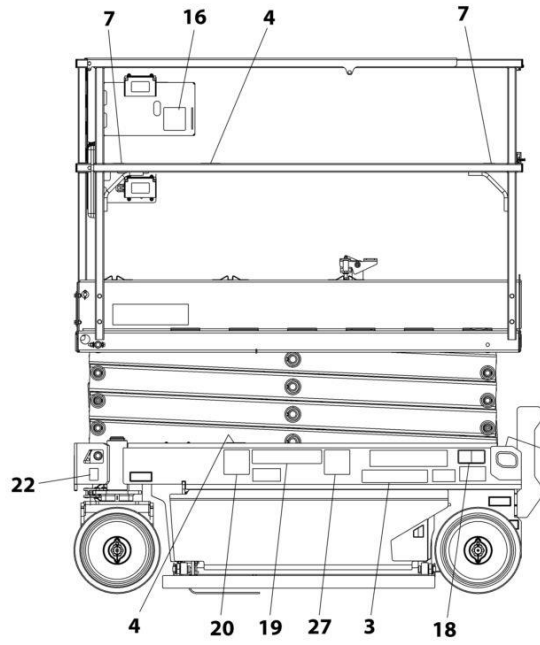
## SECTION 8 - DECALS

**FIGURE 8-1. DECAL INSTALLATION (ANSI SPEC)**

ITEM	PART NUMBER	QTY	DESCRIPTION	REV
	1001209907	Ref	DECAL INSTALLATION	E
	1001257773	Ref	DECAL CHART DRAWING	D
1	1701504	1	Decal - Hydraulic Oil	
2	1701640	1	Decal - Manual	
3	1703813	2	Decal - Warning Battery Ventilation	
4	1703819	4	Decal - Direction Arrow	
5	1703822	1	Decal - Manual Descent Instruction	
6	1704016	2	Decal - Fork Lift	
7	1704277	2	Decal - Lanyard Attach	
8	1704412	1	Decal - Hydraulic Oil	
11	1001220430	1	Decal - Safety Prop	
12	2080040	3	Fastener	
13	2080057	4	Fastener	
14	8990147	1	Holder, Manual	
15	1001131270	1	Decal - Patent	
16	1001132359	1	Decal - Control Box Locate	
18	1001162864	2	Decal - Lift Up/Tie Down	
19	1001211777	4	Decal - Crushing Hazard	
20	1001211779	4	Decal - Electrocution	
21	1001212290	1	Decal - Tie Down	
22	1001212291	2	Decal - Lifting Lug	
23	1001212292	1	Decal - No Lifting	
24	1001212293	1	Decal - No Forklift	
25	1001146794	1	Decal - Battery/Charger Service	
26	1703816	1	Decal - Danger/Warning	
29	1001231801	1	Decal - Prop 65 Warning	
34	1001223055	1	Decal - Yearly Inspection	
35	1001228370	1	Decal - ICES	

# SECTION 8 - DECALS

## FIGURE 8-2. DECAL INSTALLATION (AUSTRALIAN SPECS)

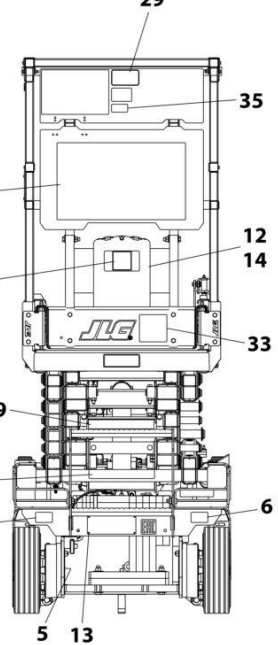
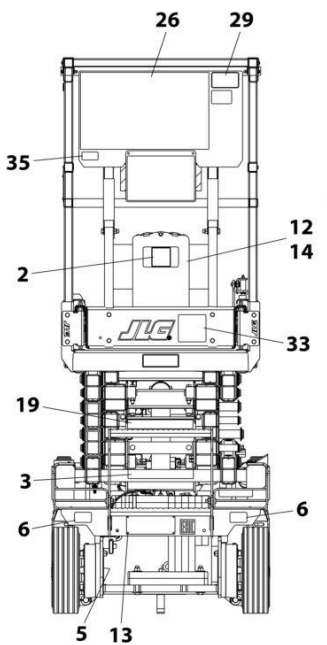
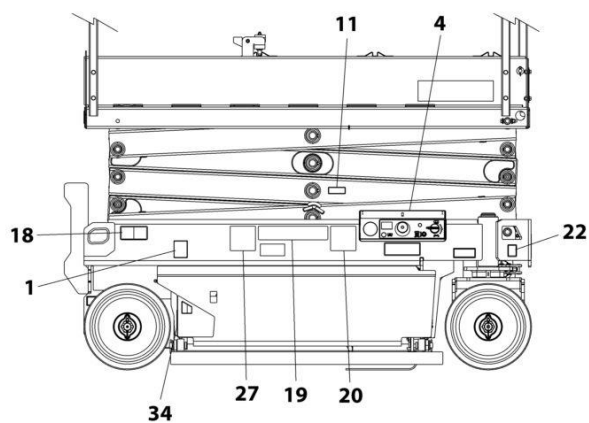


REAR VIEW - FIXED RAILS  
(LADDER AND PLATFORM BOX  
REMOVED FOR CLARITY)

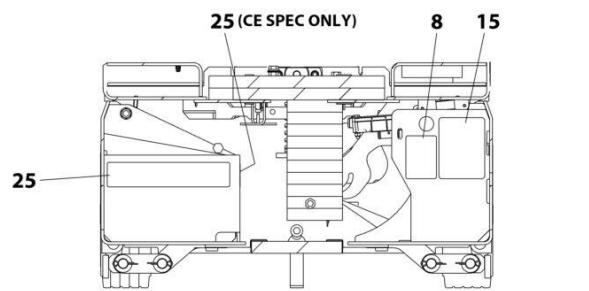
FRONT VIEW

NOTE: ITEMS SHOWN MAY NOT BE REQUIRED FOR ALL SPECS. REFER TO PARTS LISTS FOR USAGE.

NOTE: ADDITIONAL DECALS CALLED OUT ON DECAL INSTALLATION - OPTIONS.



REAR VIEW - FOLD-DOWN RAILS  
(LADDER AND PLATFORM BOX REMOVED FOR CLARITY)



DETAIL OF COMPONENTS  
INSIDE FRAME TRAYS

ART\_1001209914\_D

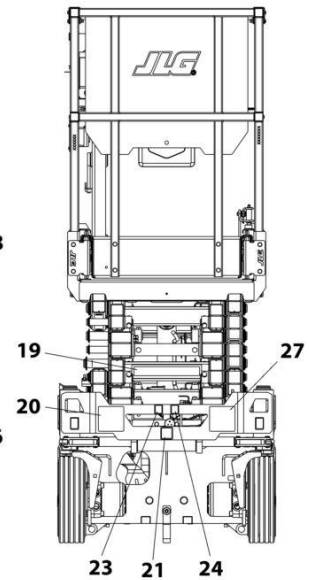
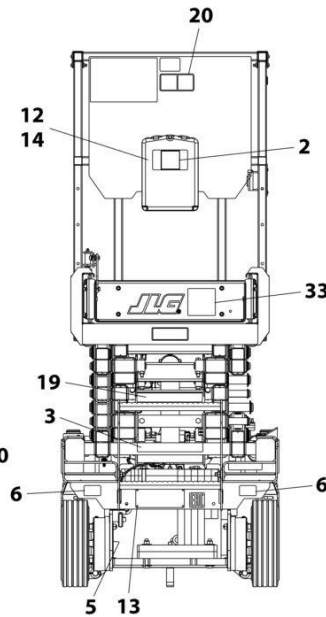
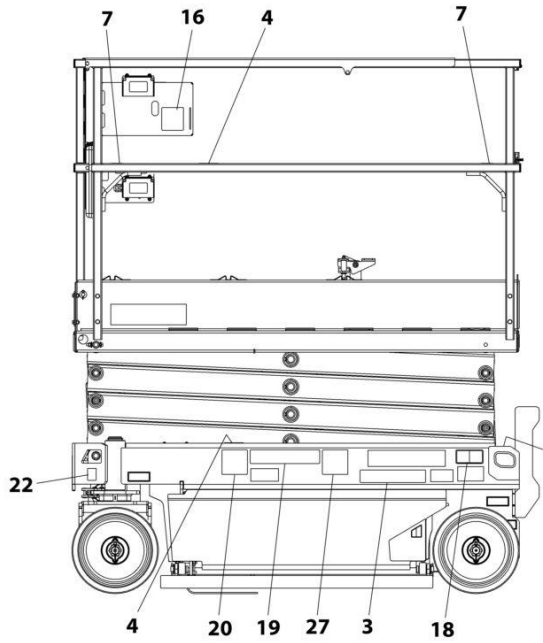
## SECTION 8 - DECALS

**FIGURE 8-2. DECAL INSTALLATION (AUSTRALIAN SPECS)**

ITEM	PART NUMBER	QTY	DESCRIPTION	REV
	1001209914	Ref	DECAL INSTALLATION	D
	1001257773	Ref	DECAL CHART DRAWING	D
1	1701504	1	Decal - Hydraulic Oil	
2	1701640	1	Decal - Manual	
3	1705670	2	Decal - Fire Hazard	
4	1703819	4	Decal - Direction Arrow	
5	1703822	1	Decal - Manual Descent Instruction	
6	1704016	2	Decal - Fork Lift	
7	1704277	2	Decal - Lanyard Attach	
8	1704412	1	Decal - Hydraulic Oil	
11	1001220430	1	Decal - Safety Prop	
12	2080040	3	Fastener	
13	2080057	4	Fastener	
14	8990147	1	Holder, Manual	
16	1001132359	1	Decal - Control Box Locate	
18	1001162864	2	Decal - Lift Up/Tie Down	
19	1001219172	4	Decal - Crushing	
20	1001219171	5	Decal - Electrocution	
21	1001212290	1	Decal - Tie Down	
22	1001212291	2	Decal - Lifting Lug	
23	1001212292	1	Decal - No Lifting	
24	1001212293	1	Decal - No Forklift	
25	1001146794	1	Decal - Battery/Charger Service	

# SECTION 8 - DECALS

## FIGURE 8-3. DECAL INSTALLATION (BRAZIL SPECS)

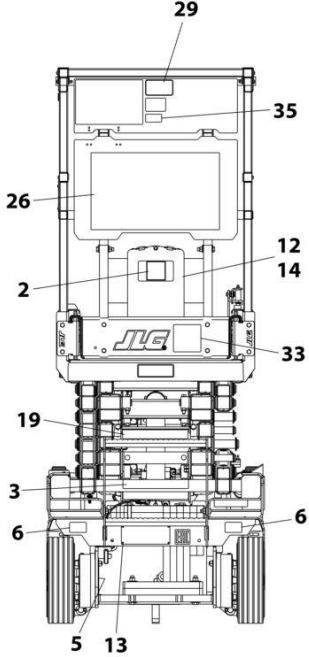
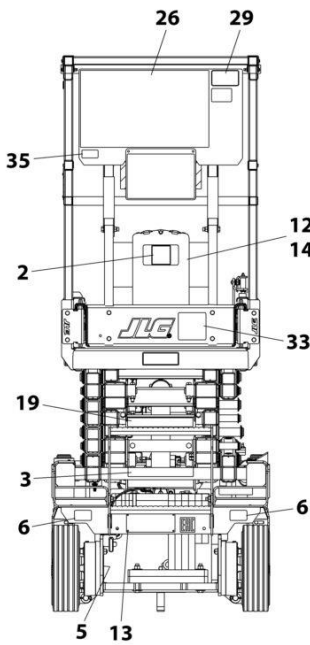
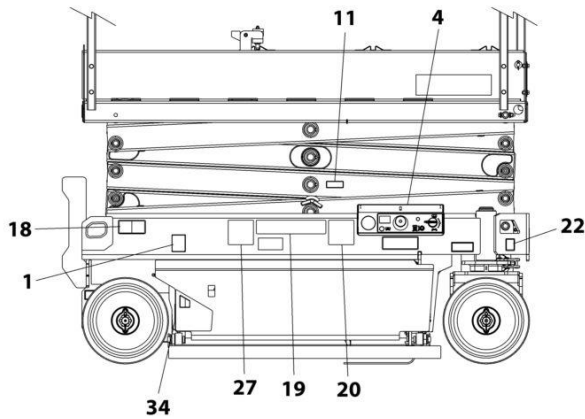


REAR VIEW - FIXED RAILS  
(LADDER AND PLATFORM BOX  
REMOVED FOR CLARITY)

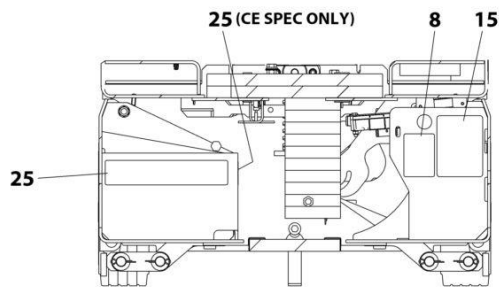
FRONT VIEW

NOTE: ITEMS SHOWN MAY NOT BE REQUIRED FOR ALL SPECS. REFER TO PARTS LISTS FOR USAGE.

NOTE: ADDITIONAL DECALS CALLED OUT ON DECAL INSTALLATION - OPTIONS.



REAR VIEW - FOLD-DOWN RAILS  
(LADDER AND PLATFORM BOX REMOVED FOR CLARITY)



DETAIL OF COMPONENTS  
INSIDE FRAME TRAYS

ART\_1001209910\_C



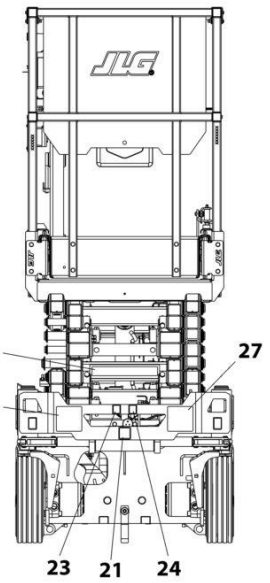
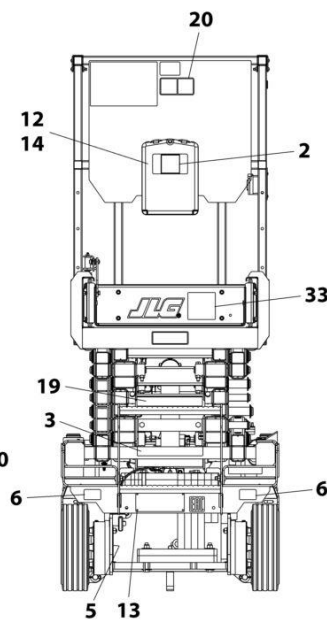
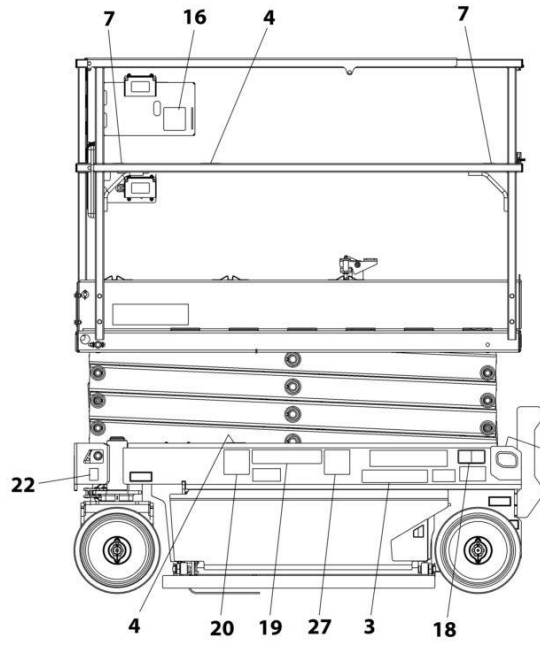
## SECTION 8 - DECALS

**FIGURE 8-3. DECAL INSTALLATION (BRAZIL SPECS)**

ITEM	PART NUMBER	QTY	DESCRIPTION	REV
	1001209910	Ref	DECAL INSTALLATION	C
	1001257773	Ref	DECAL CHART DRAWING	D
1	1701504	1	Decal - Hydraulic Oil	
2	1701640	1	Decal - Manual	
3	1704341	2	Decal - Warning Battery Ventilation	
4	1703819	4	Decal - Direction Arrow	
5	1703822	1	Decal - Manual Descent Instruction	
6	1704016	2	Decal - Fork Lift	
7	1704277	2	Decal - Lanyard Attach	
8	1704412	1	Decal - Hydraulic Oil	
11	1001220430	1	Decal - Safety Prop	
12	2080040	3	Fastener	
13	2080057	4	Fastener	
14	8990147	1	Holder, Manual	
16	1001132359	1	Decal - Control Box Locate	
18	1001162864	2	Decal - Lift Up/Tie Down	
19	1001216650	4	Decal - Crushing Hazard	
20	1001215748	4	Decal - Danger Electrocution	
21	1001212290	1	Decal - Tie Down	
22	1001212291	2	Decal - Lifting Lug	
23	1001212292	1	Decal - No Lifting	
24	1001212293	1	Decal - No Forklift	
25	1001146794	1	Decal - Battery/Charger Service	
26	1704699	1	Decal - Danger/Warning	
27	1001216648	4	Decal - Danger Electrocution	
34	1001224052	1	Decal - Yearly Inspection	

# SECTION 8 - DECALS

## FIGURE 8-4. DECAL INSTALLATION (CE SPECS)

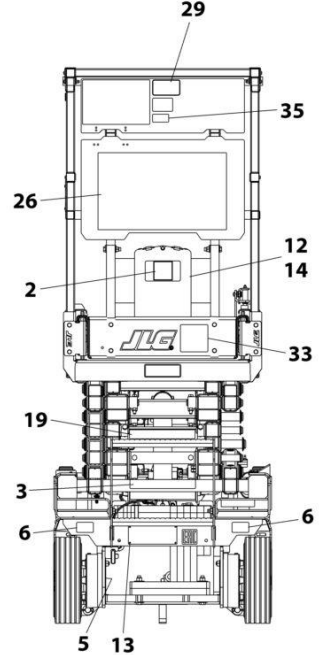
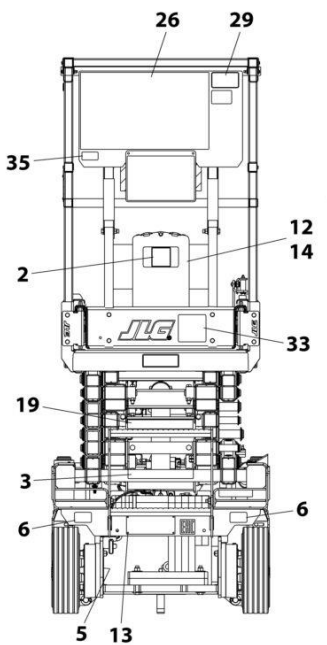
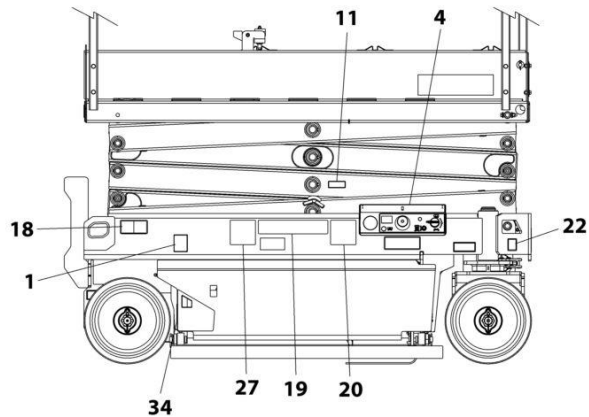


REAR VIEW - FIXED RAILS  
(LADDER AND PLATFORM BOX  
REMOVED FOR CLARITY)

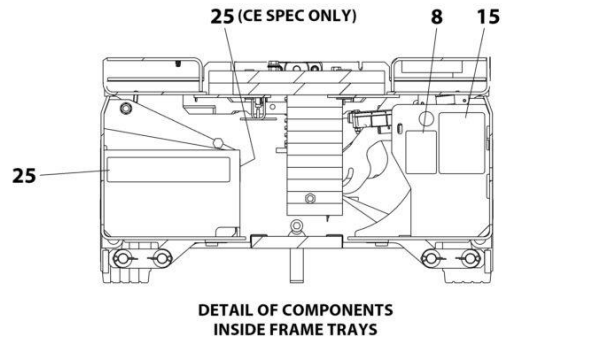
FRONT VIEW

NOTE: ITEMS SHOWN MAY NOT BE REQUIRED FOR ALL SPECS. REFER TO PARTS LISTS FOR USAGE.

NOTE: ADDITIONAL DECALS CALLED OUT ON DECAL INSTALLATION - OPTIONS.



REAR VIEW - FOLD-DOWN RAILS  
(LADDER AND PLATFORM BOX REMOVED FOR CLARITY)



DETAIL OF COMPONENTS  
INSIDE FRAME TRAYS

ART\_1001209913\_D

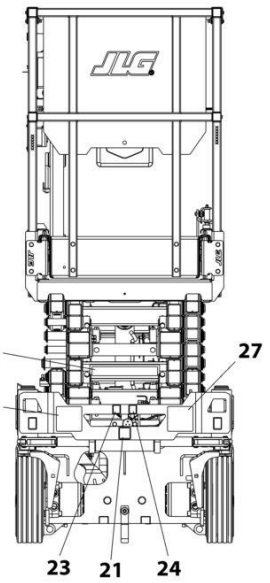
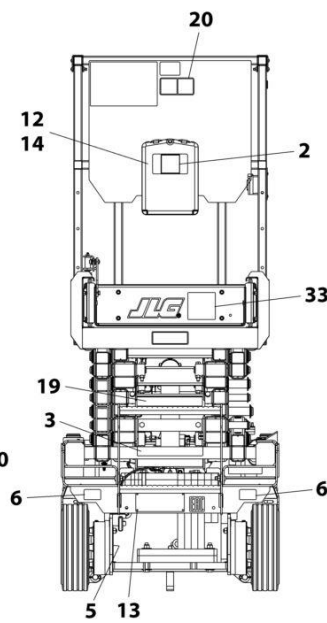
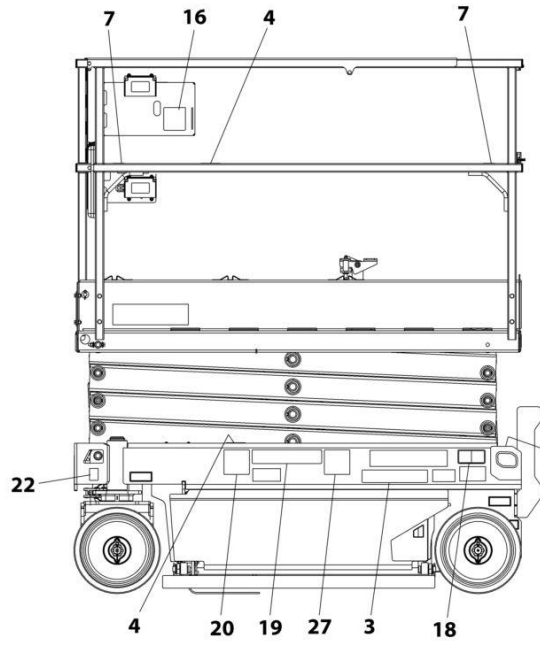
## SECTION 8 - DECALS

**FIGURE 8-4. DECAL INSTALLATION (CE SPECS)**

ITEM	PART NUMBER	QTY	DESCRIPTION	REV
	1001209913	Ref	DECAL INSTALLATION	D
	1001257773	Ref	DECAL CHART DRAWING	D
1	1701504	1	Decal - Hydraulic Oil	
2	1701640	1	Decal - Manual	
3	1704340	2	Decal - Warning Battery Ventilation	
4	1703819	4	Decal - Direction Arrow	
5	1703822	1	Decal - Manual Descent Instruction	
6	1704016	2	Decal - Fork Lift	
7	1704277	2	Decal - Lanyard Attach	
8	1704412	1	Decal - Hydraulic Oil	
11	1001220430	1	Decal - Safety Prop	
12	2080040	3	Fastener	
13	2080057	4	Fastener	
14	8990147	1	Holder, Manual	
16	1001132359	1	Decal - Control Box Locate	
18	1001162864	2	Decal - Lift Up/Tie Down	
19	1001215755	4	Decal - Crushing	
20	1001211779	4	Decal - Electrocution	
21	1001212290	1	Decal - Tie Down	
22	1001212291	2	Decal - Lifting Lug	
23	1001212292	1	Decal - No Lifting	
24	1001212293	1	Decal - No Forklift	
25	1001146794	1	Decal - Battery/Charger Service	
26	1704684	1	Decal - Danger/Warning	
27	1001215749	4	Decal - Danger Electrocution	
34	1001223971	1	Decal - Yearly Inspection	
35	1001228370	1	Decal - ICES	

# SECTION 8 - DECALS

## FIGURE 8-5. DECAL INSTALLATION (CHINA SPECS)

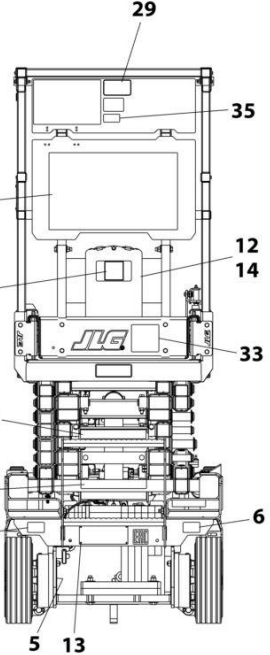
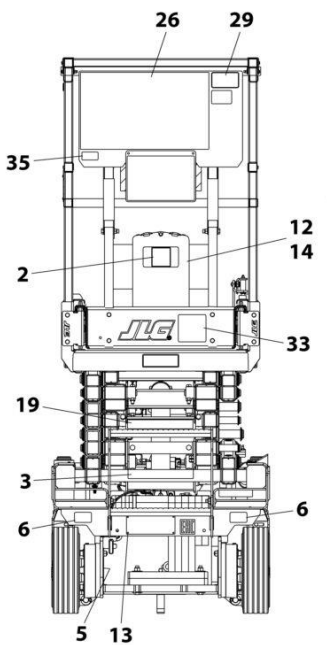
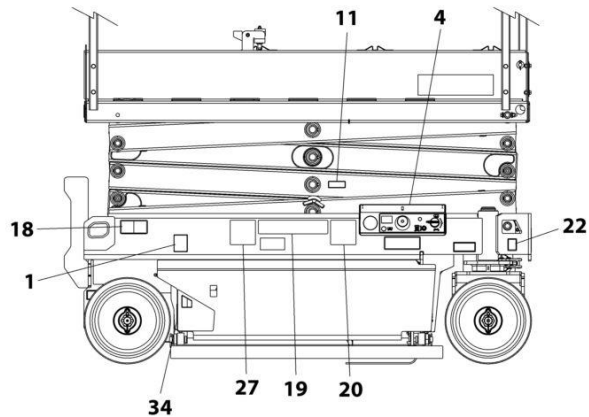


REAR VIEW - FIXED RAILS  
(LADDER AND PLATFORM BOX  
REMOVED FOR CLARITY)

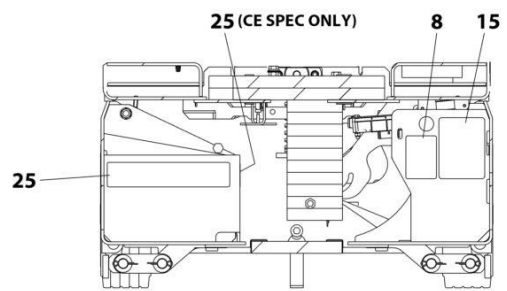
FRONT VIEW

NOTE: ITEMS SHOWN MAY NOT BE REQUIRED FOR ALL SPECS. REFER TO PARTS LISTS FOR USAGE.

NOTE: ADDITIONAL DECALS CALLED OUT ON DECAL INSTALLATION - OPTIONS.



REAR VIEW - FOLD-DOWN RAILS  
(LADDER AND PLATFORM BOX REMOVED FOR CLARITY)



DETAIL OF COMPONENTS  
INSIDE FRAME TRAYS

ART\_1001209909\_E

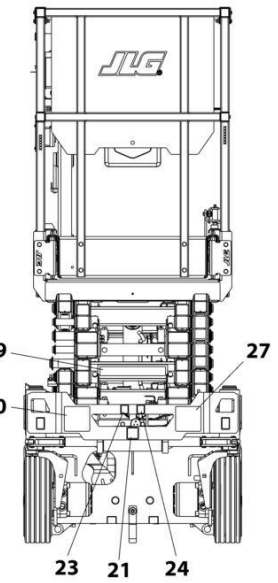
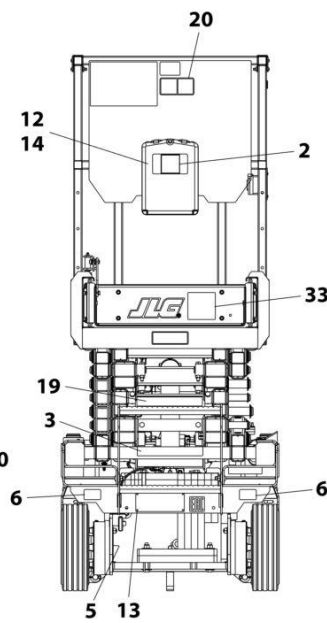
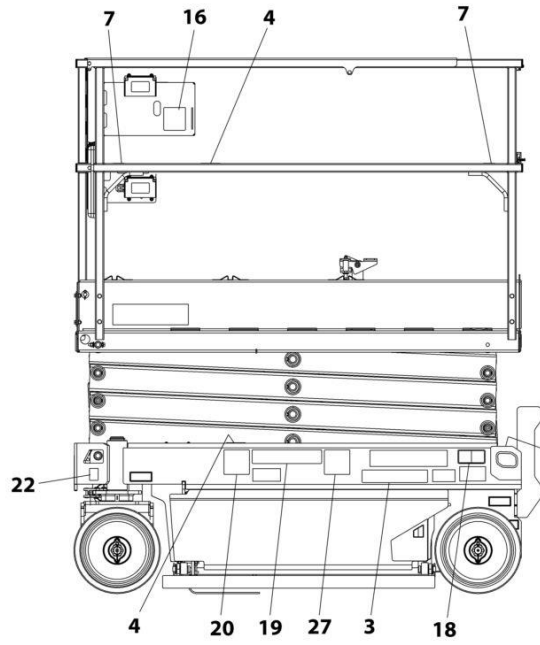
## SECTION 8 - DECALS

**FIGURE 8-5. DECAL INSTALLATION (CHINA SPECS)**

ITEM	PART NUMBER	QTY	DESCRIPTION	REV
	1001209909	Ref	DECAL INSTALLATION	E
	1001257773	Ref	DECAL CHART DRAWING	D
1	1701504	1	Decal - Hydraulic Oil	
2	1701640	1	Decal - Manual	
3	1704344	2	Decal - Warning Battery Ventilation	
4	1703819	4	Decal - Direction Arrow	
5	1703822	1	Decal - Manual Descent Instruction	
6	1704016	2	Decal - Fork Lift	
7	1704277	2	Decal - Lanyard Attach	
8	1704412	1	Decal - Hydraulic Oil	
11	1001220430	1	Decal - Safety Prop	
12	2080040	5	Fastener	
13	2080057	4	Fastener	
14	8990147	1	Holder, Manual	
16	1001132359	1	Decal - Control Box Locate	
18	1001162864	2	Decal - Lift Up/Tie Down	
19	1001215752	4	Decal - Crushing Hazard	
20	1001211779	4	Decal - Electrocution	
21	1001212290	1	Decal - Tie Down	
22	1001212291	2	Decal - Lifting Lug	
23	1001212292	1	Decal - No Lifting	
24	1001212293	1	Decal - No Forklift	
25	1001146794	1	Decal - Battery/Charger Service	
26	1705195	1	Decal - Danger/Warning	
27	1001215747	4	Decal - Danger Electrocution	
33	1001244298	2	Decal - Wechat	
34	1001224051	1	Decal - Yearly Inspection	

# SECTION 8 - DECALS

## FIGURE 8-6. DECAL INSTALLATION (CSA SPECS)

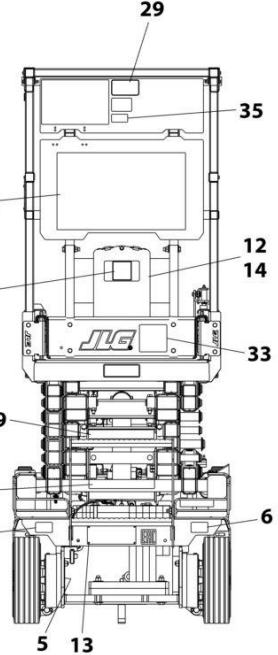
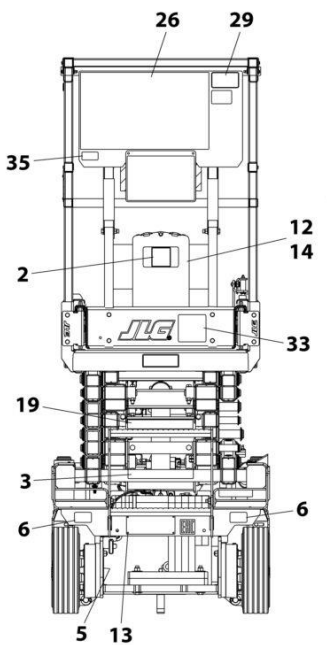
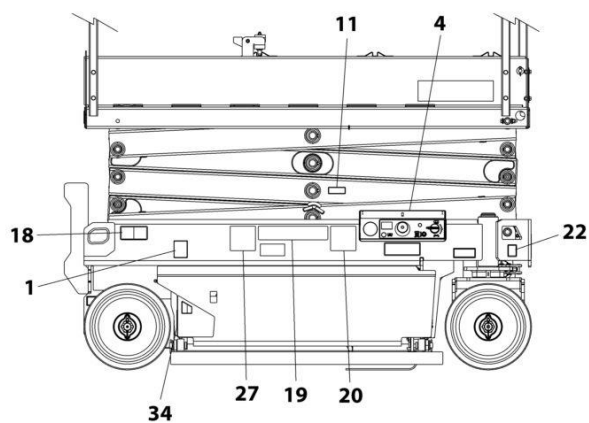


REAR VIEW - FIXED RAILS  
(LADDER AND PLATFORM BOX  
REMOVED FOR CLARITY)

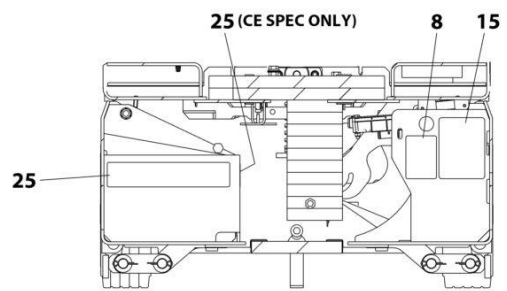
FRONT VIEW

NOTE: ITEMS SHOWN MAY NOT BE REQUIRED FOR ALL SPECS. REFER TO PARTS LISTS FOR USAGE.

NOTE: ADDITIONAL DECALS CALLED OUT ON DECAL INSTALLATION - OPTIONS.



REAR VIEW - FOLD-DOWN RAILS  
(LADDER AND PLATFORM BOX REMOVED FOR CLARITY)



DETAIL OF COMPONENTS  
INSIDE FRAME TRAYS

ART\_1001219265\_C

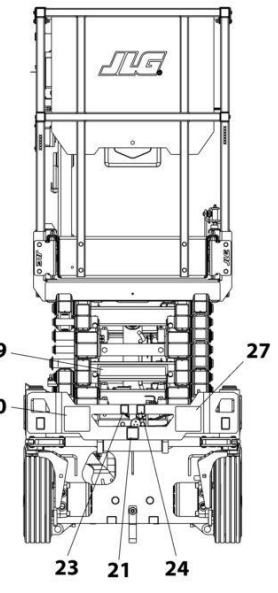
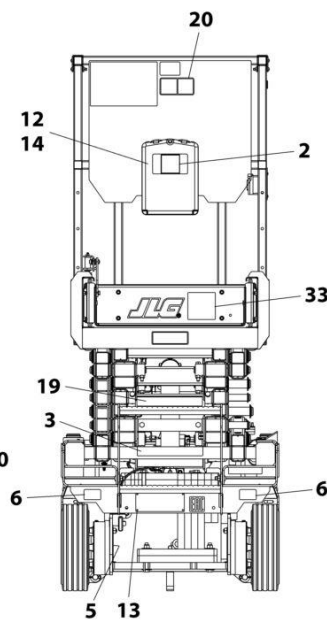
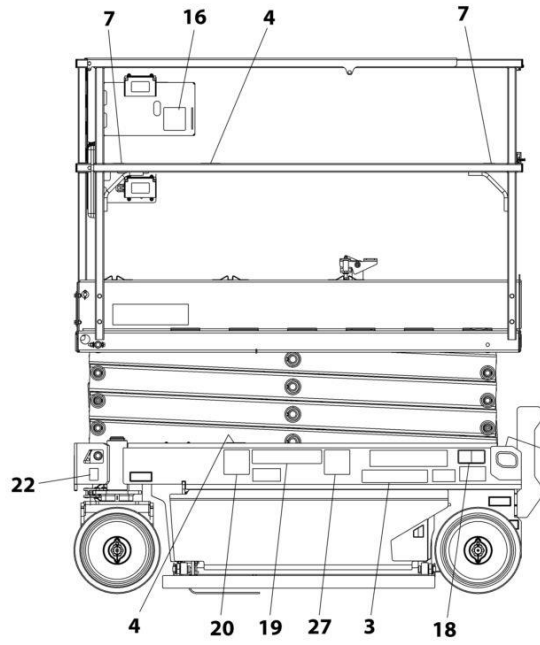
## SECTION 8 - DECALS

**FIGURE 8-6. DECAL INSTALLATION (CSA SPECS)**

ITEM	PART NUMBER	QTY	DESCRIPTION	REV
	1001219265	Ref	DECAL INSTALLATION	C
	1001257773	Ref	DECAL CHART DRAWING	D
1	1701504	1	Decal - Hydraulic Oil	
2	1701640	1	Decal - Manual	
3	1704340	2	Decal - Warning Battery Ventilation	
4	1703819	4	Decal - Direction Arrow	
5	1703822	1	Decal - Manual Descent Instruction	
6	1704016	2	Decal - Fork Lift	
7	1704277	2	Decal - Lanyard Attach	
8	1704412	1	Decal - Hydraulic Oil	
11	1001220430	1	Decal - Safety Prop	
12	2080040	5	Fastener	
13	2080057	4	Fastener	
14	8990147	1	Holder, Manual	
15	1001131270	1	Decal - Patent	
16	1001132359	1	Decal - Control Box Locate	
18	1001162864	2	Decal - Lift Up/Tie Down	
19	1001215755	4	Decal - Crushing Hazard	
20	1001211779	4	Decal - Electrocution	
21	1001212290	1	Decal - Tie Down	
22	1001212291	2	Decal - Lifting Lug	
23	1001212292	1	Decal - No Lifting	
24	1001212293	1	Decal - No Forklift	
25	1001146794	1	Decal - Battery/Charger Service	
26	1704684	1	Decal - Danger/Warning	
27	1001215749	4	Decal - Danger Electrocution	
34	1001223971	1	Decal - Yearly Inspection	
35	1001228370	1	Decal - ICES	

# SECTION 8 - DECALS

## FIGURE 8-7. DECAL INSTALLATION (KOREAN SPECS)

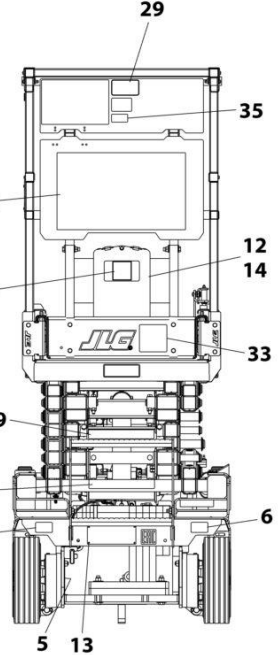
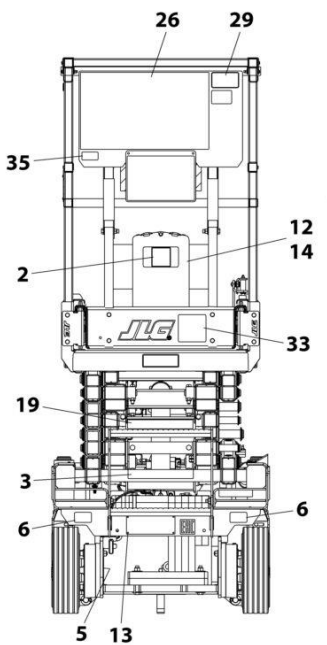
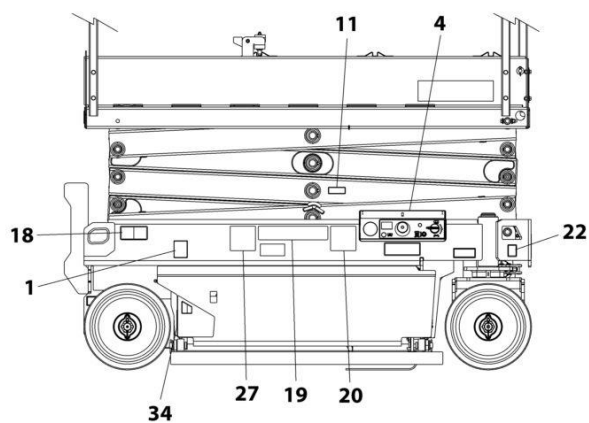


REAR VIEW - FIXED RAILS  
(LADDER AND PLATFORM BOX  
REMOVED FOR CLARITY)

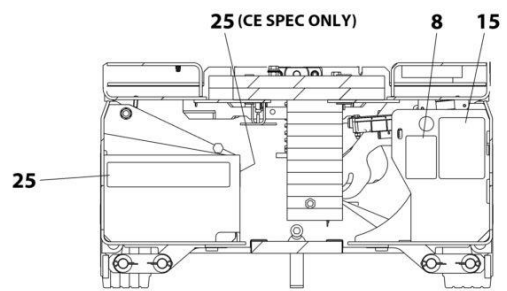
FRONT VIEW

NOTE: ITEMS SHOWN MAY NOT BE REQUIRED FOR ALL SPECS. REFER TO PARTS LISTS FOR USAGE.

NOTE: ADDITIONAL DECALS CALLED OUT ON DECAL INSTALLATION - OPTIONS.



REAR VIEW - FOLD-DOWN RAILS  
(LADDER AND PLATFORM BOX REMOVED FOR CLARITY)



DETAIL OF COMPONENTS  
INSIDE FRAME TRAYS

ART\_1001209908\_C



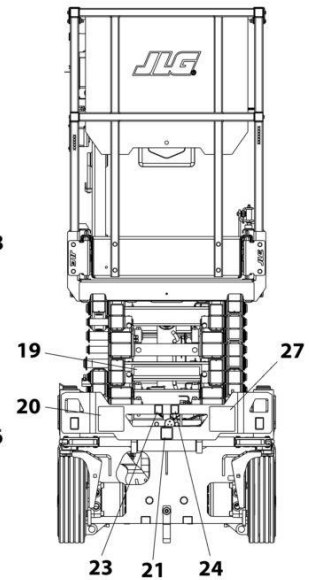
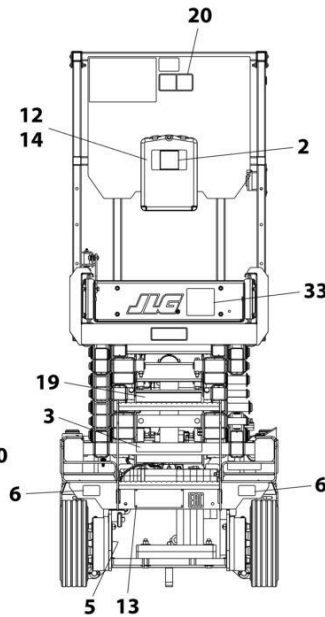
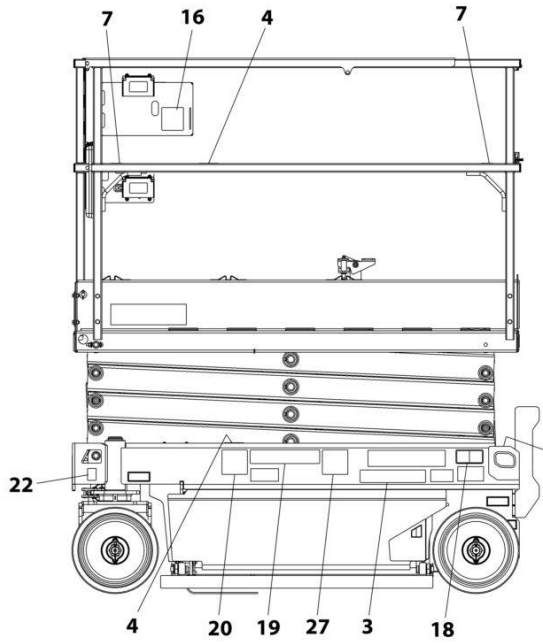
## SECTION 8 - DECALS

**FIGURE 8-7. DECAL INSTALLATION (KOREAN SPECS)**

ITEM	PART NUMBER	QTY	DESCRIPTION	REV
	1001209908	Ref	DECAL INSTALLATION	C
	1001257773	Ref	DECAL CHART DRAWING	D
1	1701504	1	Decal - Hydraulic Oil	
2	1701640	1	Decal - Manual	
3	1707022	2	Decal - Warning Battery Ventilation	
4	1703819	4	Decal - Direction Arrow	
5	1703822	1	Decal - Manual Descent Instruction	
6	1704016	2	Decal - Fork Lift	
7	1704277	2	Decal - Lanyard Attach	
8	1704412	1	Decal - Hydraulic Oil	
11	1001220430	1	Decal - Safety Prop	
12	2080040	3	Fastener	
13	2080057	4	Fastener	
14	8990147	1	Holder, Manual	
16	1001132359	1	Decal - Control Box Locate	
18	1001162864	2	Decal - Lift Up/Tie Down	
19	1001215751	4	Decal - Crushing Hazard	
20	1001211779	4	Decal - Electrocution	
21	1001212290	1	Decal - Tie Down	
22	1001212291	2	Decal - Lifting Lug	
23	1001212292	1	Decal - No Lifting	
24	1001212293	1	Decal - No Forklift	
25	1001146794	1	Decal - Battery/Charger Service	
26	1001162115	1	Decal - Danger/Warning	
27	1001215750	4	Decal - Danger Electrocution	
28	1001224048	1	Decal - Yearly Inspection	

# SECTION 8 - DECALS

## FIGURE 8-8. DECAL INSTALLATION (LATIN AMERICAN SPECS)

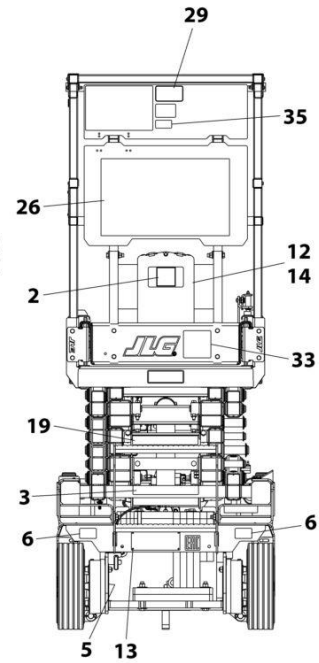
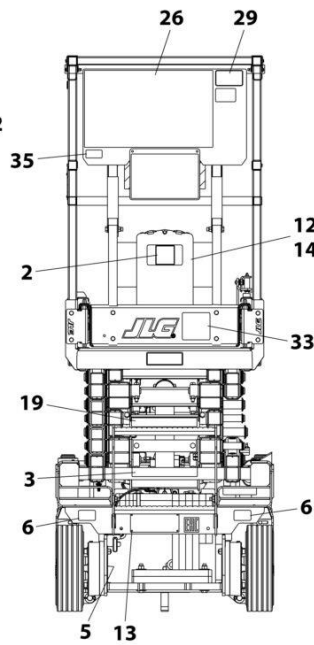
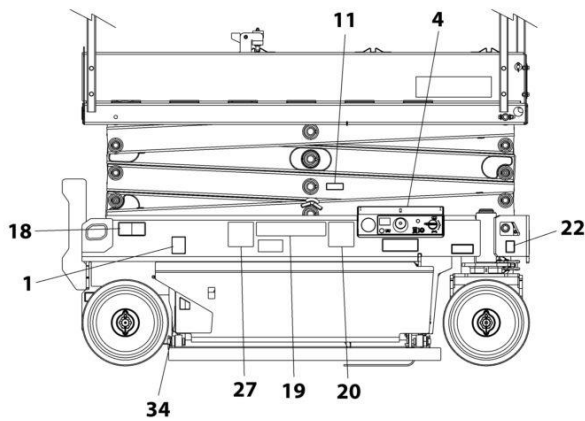


REAR VIEW - FIXED RAILS  
(LADDER AND PLATFORM BOX  
REMOVED FOR CLARITY)

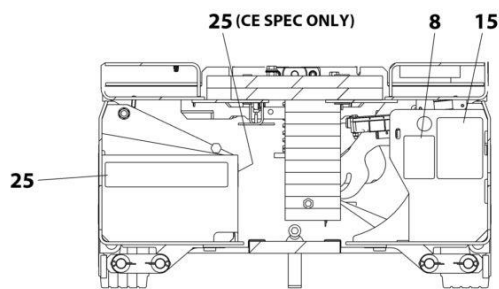
FRONT VIEW

NOTE: ITEMS SHOWN MAY NOT BE REQUIRED FOR ALL SPECS. REFER TO PARTS LISTS FOR USAGE.

NOTE: ADDITIONAL DECALS CALLED OUT ON DECAL INSTALLATION - OPTIONS.



REAR VIEW - FOLD-DOWN RAILS  
(LADDER AND PLATFORM BOX REMOVED FOR CLARITY)



DETAIL OF COMPONENTS  
INSIDE FRAME TRAYS

ART\_1001209911\_C

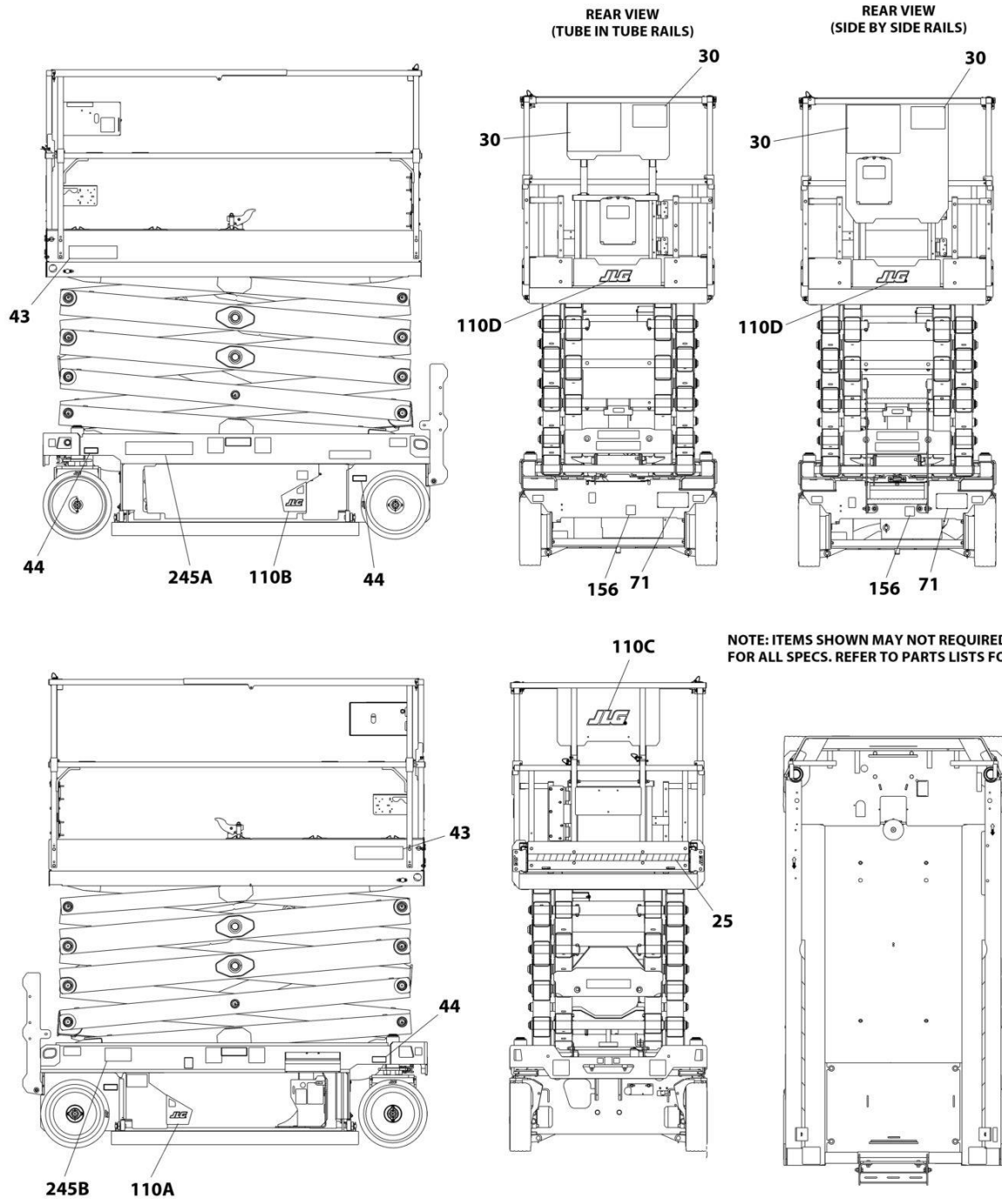
## SECTION 8 - DECALS

**FIGURE 8-8. DECAL INSTALLATION (LATIN AMERICAN SPECS)**

ITEM	PART NUMBER	QTY	DESCRIPTION	REV
	1001209911	Ref	DECAL INSTALLATION	C
	1001257773	Ref	DECAL CHART DRAWING	D
1	1701504	1	Decal - Hydraulic Oil	
2	1701640	1	Decal - Manual	
3	1704339	2	Decal - Warning Battery Ventilation	
4	1703819	4	Decal - Direction Arrow	
5	1703822	1	Decal - Manual Descent Instruction	
6	1704016	2	Decal - Fork Lift	
7	1704277	2	Decal - Lanyard Attach	
8	1704412	1	Decal - Hydraulic Oil	
11	1001220430	1	Decal - Safety Prop	
12	2080040	3	Fastener	
13	2080057	4	Fastener	
14	8990147	1	Holder, Manual	
16	1001132359	1	Decal - Control Box Locate	
18	1001162864	2	Decal - Lift Up/Tie Down	
19	1001215754	4	Decal - Crushing Hazard	
20	1001211779	4	Decal - Electrocution	
21	1001212290	1	Decal - Tie Down	
22	1001212291	2	Decal - Lifting Lug	
23	1001212292	1	Decal - No Lifting	
24	1001212293	1	Decal - No Forklift	
25	1001146794	1	Decal - Battery/Charger Service	
26	1704691	1	Decal - Danger/Warning	
27	1001215748	4	Decal - Danger Electrocution	
34	1001224049	1	Decal - Yearly Inspection	

# SECTION 8 - DECALS

## FIGURE 8-9. DECAL INSTALLATION - OPTIONS



NOTE: ITEMS SHOWN MAY NOT REQUIRED FOR ALL SPECS. REFER TO PARTS LISTS FOR USAGE.

ART\_DECAL\_OPTIONS

## SECTION 8 - DECALS

**FIGURE 8-9. DECAL INSTALLATION - OPTIONS**

ITEM	PART NUMBER	QTY	DESCRIPTION	REV
		Ref	DECAL INSTALLATION - OPTIONS	
25	1001209906	Ref	Corner Stripes Installation	
25	4420051	2.5 ft /75cm	Tape, Safety	
30		Ref	Decal - Capacity Options	
30	1001256175	1	Decal - Capacity (600LB/272KG) (R1532i) (All Specs)	
30	1001258899	1	Decal - Capacity (600LB/272KG) (R1532i) (ANSI Export, China, CSA and Korea Specs)	
30	1001256174	1	Decal - Capacity (507LB/230KG) (R1932i) (All Specs Except Australian Specs)	
30	1001258900	1	Decal - Capacity (507LB/230KG) (R1932i) (ANSI Export, China, CSA and Korea Specs)	
30	1001256176	1	Decal - Capacity (507LB/230KG) (R1932) (All Specs Except Japanese & Korean MOL70 Specs)	
30	1001265048	1	Decal - Capacity (507LB/230KG) (R1932) (Japanese & Korean MOL70 Specs)	
30	1001258822	1	Decal - Capacity (507LB/230KG) (R1932) (ANSI Export, China, CSA and Korea Specs)	
43		Ref	Decal - Model Designation Options:	
43	1001257171	2	Decal - R1532i	
43	1001257172	2	Decal - R1932i	
43	1001257173	2	Decal - R1932	
44		Ref	Decal - Maximum Tire Load Options:	
44	1001227703	4	Decal Maximum Tire Load - R1532i	
44	1705647	4	Decal Maximum Tire Load - R1932i	
44	1705648	4	Decal Maximum Tire Load - R1932	
71	See Note	NSS	Decal - Manufacturers Serial Number (Note: Not Available for Purchase)	
110	1001255102	Ref	JLG Decals Installation	
110A	1001255104	1	Decal - JLG (Right)	
110B	1001255105	1	Decal - JLG (Left)	
110C	1001256675	1	Decal - JLG	
110D	1001256676	1	Decal - JLG	
152		Ref	Decal - No Pipe Racks Allowed Options:	
152	1001092071	1	Decal - No Pipe Racks Allowed (English) (ANSI, ANSI Export and China Specs)	
152	1001092497	1	Decal - No Pipe Racks Allowed (English) (CE and Japanese Specs)	
152	1001120623	1	Decal - No Pipe Racks Allowed (Spanish/Portuguese) (Brazil Specs)	
152	1001120622	1	Decal - No Pipe Racks Allowed (English/Chinese) (China Specs)	
152	1001092580	1	Decal - No Pipe Racks Allowed (English/French) (CSA Specs)	
152	1001120621	1	Decal - No Pipe Racks Allowed (English/Korean) (Korean Specs)	
152	1001120629	1	Decal - No Pipe Racks Allowed (English/Spanish) (Latin American Specs)	
156	1001173703	1	Decal - EAC (Russian/CIS Specs)	
245	1001236984	Ref	Decal - ClearSky	
245A	1001166208	1	Decal - ClearSky	
245B	1001120989	1	Decal - Radio Frequency	



## **SECTION 9 - RECOMMENDED SERVICE PARTS STOCK**

## **SECTION 9 - RECOMMENDED SERVICE PARTS STOCK**

## SECTION 9 - RECOMMENDED SERVICE PARTS STOCK

FIGURE 9-1. RECOMMENDED SERVICE PARTS STOCK

ITEM	PART NUMBER	QTY	DESCRIPTION	REV
		Ref	Note: The following list will service one machine (built to current production per date on the front cover) with emergency repair parts which can be installed in the field. Parts from the list should be replaced when inventory is depleted to keep service parts stock supplied. For further information, contact your JLG dealer or the JLG Industries Parts Department.	
		Ref	STANDARD PARTS	
	70005423	6	Element, Filter	
	3740150	1	Relay	
	4360328	1	Switch, Toggle	
	4360469	1	Switch, Key	
	2860030	1	Key, Replacement	
	4360475	1	Switch, Emergency Stop	
	1600402	1	Controller, Drive/Steer	
	4360345	1	Switch, Toggle	
	1001200633	1	Switch, Push Button	
	8229242	2	Fuse 5Amp	
		Ref	VARIABLE PARTS	
	1001203871	1	Switch, Roller	
	1001186466	1	Sensor, Tilt	
	1001200629	1	Module, Control	
	1001216062	1	Module, Power	
	4360336	1	Switch, Toggle (Machines with Inverter)	
	1001146963	1	Sensor, Angle (Machines with LSS)	
	3080007	1	Magnet, Latch	
	1001228112	1	Module, Platform	
	1001181045	1	Breaker 30mAmp/16Amp (CE Specs Machines)	
	1001189171	1	Breaker 30mAmp (CE Specs Machines)	
	1001189172	1	Breaker 16Amp Double (CE Specs Machines)	



**SECTION 10 - SPECIAL OPTIONS/ACCESSORIES/KITS**

**SECTION 10 - SPECIAL OPTIONS/ACCESSORIES/KITS**

# SECTION 10 - SPECIAL OPTIONS/ACCESSORIES/KITS

## FIGURE 10-1. SPECIAL OPTIONS

ITEM	PART NUMBER	QTY	DESCRIPTION	REV
		Ref	Note: This list is to accommodate machines ordered with special equipment. Options may not be applicable to all models. For more specific parts information contact the JLG Parts Department.	
		Ref	SPECIAL OPTIONS	
	1001236903	Ref	Antivandalism Package (Factory Installed)	
	1001249639	Ref	Antivandalism Add-on Kit (Dealer Installed)	
	1001255597	Ref	Battery Charger Add-on Kit (Can)	
	1001249326	Ref	Beacon Light Add-on Kit (Dual Lights)	
	1001249229	Ref	Beacon Light Add-on Kit (Single Light)	
		Ref	ClearSky Installation Options (Factory Installed):	
	1001229107	Ref	ClearSky Installation - 3-Wire (ANSI & CSA Specs)	
	1001233237	Ref	ClearSky Installation - 3-Wire (ANSI Export & CE Specs)	
	1001251144	Ref	ClearSky Installation - Canbus (ANSI & CSA Specs)	
	1001251145	Ref	ClearSky Installation - Canbus (ANSI Export & CE Specs)	
	1001251146	Ref	ClearSky Installation - Canbus (R1932) (Australian Specs)	
	1001246531	Ref	ClearSky Installation – Canbus (China Specs)	
		Ref	ClearSky Add-on Kit Options (Dealer Installed):	
	1001265376	Ref	ClearSky Add-on Kit - Canbus (ANSI, ANSI Export & CSA Specs)	
	1001237257	Ref	ClearSky Add-on Kit - Canbus (ANSI Export & CE Specs)	
	1001248502	Ref	ClearSky Add-on Kit (Australian Specs)	
	1001248503	Ref	ClearSky Add-on Kit (China Specs)	
	1001248689	Ref	ClearSky Add-on Kit - Access Control	
	1001239115	Ref	Ground Control Box Cover Kit	
	1001218012	Ref	Drive Motor Covers installation	
	1001229076	Ref	Drive Noise Reduction Add-on Kit	
		Ref	Electrical Connector Kits	
	1001148902	Ref	Amp/Tyco Electrical Connector Kit	
	1001148903	Ref	Deutsch DT Electrical Connector Kit	
	1001148904	Ref	Deutsch HD Electrical Connector Kit	
	1001148905	Ref	Packard Electrical Connector Kit	
	1001148906	Ref	Various Electrical Connector Kit	
	1001217667	Ref	Fire Extinguisher Installation	
	1001241486	Ref	Foot Latch Add-on Kit	
	1001208061	Ref	Footswitch Installation (ANSI Export, Japanese and Korea Specs Only)	
	1001225925	Ref	Inverter Add-on Kit (ANSI USA Specs Only)	
	1001220933	Ref	Height Restrictor Switch Installation	
	1001269704	Ref	Hostile Environment Installation (Steer)	
	1001245353	Ref	Mobile Control Installation (Factory Installed)	
	1001250532	Ref	Mobile Control Add-on Kit (Dealer Installed)	
	1001258356	Ref	Operator Access Control	
	1001229727	Ref	Overhead Protection Add-on Kit (ANSI Export Specs Only)	
	1001258633	Ref	Panel Decals Installation	
	1001225790	Ref	Platform Extension Deployment Handles Add-on Kit	
	1001265316	Ref	Pothole Protection Add-on Kit (Dealer Installed)	
	1001269798	Ref	Rail (Quick Access Rail) Add-on Kit (Dealer Installed) (R1932 & R1932i)	
	1001255000	Ref	Remote Tow Valve Installation	

## SECTION 10 - SPECIAL OPTIONS/ACCESSORIES/KITS

ITEM	PART NUMBER	QTY	DESCRIPTION	REV
	1001224583	Ref	Service Kits List	S
	1001255883	Ref	Skysense Level 1 Installation (Factory Installed) (R1932/R1932I)	
	1001265315	Ref	Steer Cover Add-on Kit (Dealer Installed) (R1932) (China Specs)	
	1001255009	Ref	Subassembly Installation (European Built Machines)	D
	1001265315	Ref	Steering Cover Add-on Kit (Dealer Installed)	
	1001262557	Ref	Swing Gate Kit	
		Ref	Tools for Service	
	2901443	1	Analyzer Kit	
	1001232474	1	Benchtop Harness	
	8896941	1	Wire Stripper	
	7002821	1	Wire Crimper (To install wire ends to wires)	
	7002823	1	Pin/Socket Extractor - Universal (To Remove Pins/Sockets from Connectors)	
	4460467	1	Extractor - 16-18 Gauge (For Removal Pins/Sockets from Deutsch Connectors)	
	4460510	1	Extractor - 12-14 Gauge (For Removal of Pins/Sockets from Deutsch Connectors)	
	7002822	1	Screwdriver, Potentiometer (To Adjust Drive Controllers)	
	7016654	1	Screwdriver, Magnetic	
	7004275	1	Seal Installation Tool - 1in	
	7004276	1	Seal Installation Tool - 1-1/2in	
	7002826	1	Seal Installation Tool - 2in	
	1001269646	Ref	Tool Tray Add-on Kit (Dealer Installed)	
	1001262959	Ref	Voltage Regulator Re-Location Kit	



# SECTION 10 - SPECIAL OPTIONS/ACCESSORIES/KITS

## PART NUMBER INDEX

## SECTION 10 - SPECIAL OPTIONS/ACCESSORIES/KITS

0100011.....13, 15, 21, 27, 29, 49, 51, 53, 55, 71, 123, 133, 135	0761019 .....129, 137	1001142174 ..... 89	1001201129.....239
0100051 .....81, 83, 85, 87	0761217 ..... 91	1001143009 ..... 89	1001201248.....13, 15
0140030.....145, 147, 149	0861731 .... 251, 257, 259, 261	1001143010 ..... 89	1001201355.....104, 108, 113
0140043..... 75	0861781 .....253, 255	1001143501 ..... 175	1001201707 .....59
0275216..... 181, 253	0861880 ..... 195	1001144147 ..... 199	1001201708.... 81, 83, 85, 87
0275217..... 183, 255	0962292 .....165, 167	1001144295 ..... 220	1001201711 .... 81, 83, 85, 87
0275452..... 185, 257	1001047064.....145, 147, 149	1001144296 ..... 220	1001201885.....249
0275453..... 187, 259	1001091102.... 27, 57, 59, 75	1001146794 .....265, 267, 269, 271, 273, 275, 277, 279	1001202184.....225, 235, 237, 245
0275454..... 189, 261	1001092071 .....281	1001146963 96, 100, 104, 108, 284	1001202300..... 13
0440259. 13, 15, 169, 171	1001092497 .....281	1001148902 ..... 286	1001202689.....21
0440263..... 27	1001092580 .....281	1001148903 ..... 286	1001202731 .....25
0440264..... 111, 113	1001100341 .....253	1001148904 ..... 286	1001202773 .....21
0440265..... 111, 113	1001100342 .....255	1001148905 ..... 286	1001202851 .....71
0480100..... 161	1001100345 .....257	1001148906 ..... 286	1001202987 .....27
0630183..... 123	1001100346 .....261	1001151629 ..... 219	1001202988 .....27
0630587 .....75, 77, 89	1001100347 .....259	1001152483 ..... 197	1001202994 .....27
0630613..... 63, 115	1001101540 ..... 89	1001153785 ..... 13, 15	1001202999 .....27
0641416..... 137	1001102258.....179, 181, 183, 185, 187, 189, 191, 193	1001154378 ..... 129, 135	1001203443 96, 100, 104, 108, 119, 121
0641514..... 161	1001102489.... 31, 33, 35, 37, 39, 41, 43, 45, 47, 203, 205, 209, 211, 213, 215, 217	1001157547 ..... 89	1001203444 96, 100, 104, 108
0700412..... 75	1001102771 .....201	1001159186 .....219, 249	1001203445 96, 100, 104, 108
0700610..... 133	1001103012 .....220	1001162115 ..... 277	1001203446 96, 100, 104, 108
0700612.....27, 29, 55, 65, 67	1001103471 .....207	1001162864 .....265, 267, 269, 271, 273, 275, 277, 279	1001203447 96, 100, 104, 108
0700614.....17, 19, 31, 33, 35, 37, 39, 41, 43, 45, 47	1001112112 .....83	1001162886 ..... 219	1001203448 96, 100, 104, 108
0700616..... 157	1001113961 .....220	1001162887 ..... 219	1001203450 .....71
0700617.....75, 77	1001116812 .....201, 219	1001163340 ..... 219	1001203453 .....63
0700620.....96, 100, 104, 108	1001117000 .....219	1001166208 ..... 281	1001203457 .....63
0700621..... 141	1001118387 .....219	1001173703 ..... 281	1001203630 .....235
0700812..... 133	1001118812 ..... 199	1001176626 ..... 145	1001203631 .....241
0700814..... 207	1001120204.....181, 183, 185, 187, 189	1001181045 ..... 195, 284	1001203835 .....175
0700815..... 27	1001120205.....195, 197	1001182806 ..... 61	1001203837 .....175
0700817..... 91	1001120621 .....281	1001187587 ..... 129, 133, 135, 137, 161	1001203838 .....175
0700818.....125, 129, 133, 135, 137, 141	1001120622 .....281	1001188116 ..... 191	1001203839 .....175
0700819.....119, 121, 143	1001120623 .....281	1001189171 ..... 197, 284	1001203840 .....175
0700820..... 135	1001120629 .....281	1001189172 ..... 197, 284	1001203844 .....175
0700823..... 27	1001120989 .....281	1001192401 ..... 220	1001203846 .....175
0700835.....145, 147, 149	1001125483 ..... 89	1001194421 ..... 249	1001203869 .....27
0701014..... 65	1001125677 .....199, 220	1001196634 ..... 201	1001203870 .....27
0701015 91, 96, 100, 104, 108	1001130220.... 31, 33, 35, 37, 39, 41, 43, 45, 47, 49, 51, 53, 55, 65, 67, 75, 77, 145, 147, 149	1001197396 ..... 13, 15	1001203871 .....27, 284
0701019..... 115, 157	1001130590 .....75, 77	1001197457 ..... 220	1001203872 .....27
0701021.....96, 100, 104, 108, 119, 121	1001131270 .....265, 275	1001198935 96, 104, 165	1001203973 .....113
0701024..... 115	1001132358 .....145, 147, 149	1001199189 ..... 161	1001203974 .....111, 113
0760310..... 151	1001132359 .....265, 267, 269, 271, 273, 275, 277, 279	1001199937 .....21, 23	1001203975 .....111, 113
0760408.....179, 181, 183, 185, 187, 189, 191	1001134280 .....207	1001200441 ..... 25	1001203976 .....111, 113
0760608 75, 77, 129, 137, 159	1001134289 97, 101, 105, 109	1001200561 ....31, 35, 39, 49	1001204087 ..... 104
0760610.....45, 75, 77, 89, 143, 145, 147, 149, 159	1001134821 ..... 143	1001200629 ...75, 77, 284	1001204174 .....71, 73
0760612.....31, 33, 35, 37, 39, 41, 49, 51, 53, 61, 96, 100, 104, 108	1001136757 ..... 89	1001200631 ..... 75, 77	1001204311 96, 100, 104, 108
0760613..... 71	1001137675 .....123	1001200632 ..... 79	1001204312 96, 100, 104, 108
0760618..... 137	1001142173 ..... 89	1001200633 ..... 145, 147, 149, 284	1001204495 .....61
0760810..... 71, 123		1001200811 ..... 151, 231, 235, 239, 241	1001204621 .....111, 113
0760812..... 123		1001200812 .....223, 231, 233, 243	1001204719 ..... 71
0760827..... 71, 175		1001200819 ..... 145, 147, 249	1001204781 ..... 119
0761012..... 13, 15, 71		1001201087 ..... 231	1001204994 96, 100, 104, 108

## SECTION 10 - SPECIAL OPTIONS/ACCESSORIES/KITS

1001205409.....219	1001210444.....129, 131, 135	1001217667.....286	1001228112.....145, 147, 149, 284
1001205410.....219	1001210445.....129, 131	1001218012.....286	1001228123.... 81, 83, 85, 87
1001205411.....219	1001210446.....129, 131, 137	1001218285..... 145, 147, 149	1001228184..... 157
1001205412.....219	1001210447.....129, 131	1001218307..... 27	1001228370.....265, 271, 275
1001205422.....123	1001210458.....129, 131, 135	1001218573..... 91	1001228406.....91
1001205423.....123	1001210586.....125, 129, 133, 135	1001219171..... 267	1001229076.....286
1001205424.....123	1001210605..... 89	1001219172..... 267	1001229107.....286
1001205430.....123	1001210878..... 89	1001219173..... 145	1001229110.... 81, 83, 85, 87
1001205598..... 43, 47, 55	1001210879..... 89	1001219265..... 275	1001229441..... 161
1001205709.....121	1001210880..... 89	1001220216..... 157	1001229469..... 161
1001205751..... 13, 15	1001210881..... 89	1001220409..... 143	1001229722..... 135
1001206207..... 125, 127	1001210882..... 89	1001220410..... 143	1001229723..... 135
1001206217..... 125, 127	1001210963.....125, 129, 133, 135, 137	1001220430..... 265, 267, 269, 271, 273, 275, 277, 279	1001229727.....286
1001206222..... 125, 127	1001210966.....75, 77	1001220570..... 13, 169	1001229732..... 135
1001206224.....125	1001210967..... 89	1001220933..... 286	1001229733..... 135
1001206225..... 125, 129	1001211777.....265	1001220995..... 143	1001229734..... 135
1001206226..... 125, 129, 133, 137	1001211779.....265, 271, 273, 275, 277, 279	1001221244..... 157	1001229739..... 135
1001206228..... 125, 127	1001212035.....249	1001221275..... 157	1001229740..... 135
1001206487 96, 100, 104, 108	1001212036.....249	1001221276..... 157	1001229741..... 135
1001206995..... 45, 53	1001212068..... 27	1001221475..... 123	1001229742..... 135
1001207009.... 31, 33, 35, 37, 39, 41, 49, 51	1001212290.....265, 267, 269, 271, 273, 275, 277, 279	1001221476..... 123	1001229792..... 91
1001207293.....79	1001212291.....265, 267, 269, 271, 273, 275, 277, 279	1001221949..... 39, 41	1001230248..... 135
1001207494..... 75, 77	1001212292.....265, 267, 269, 271, 273, 275, 277, 279	1001222587..... 141	1001230249..... 135
1001207806.....125	1001212293.....265, 267, 269, 271, 273, 275, 277, 279	1001222687 96, 100, 104, 108, 247	1001230839.....233, 237
1001207807.....129	1001212294..... 71	1001222914..... 157	1001230932..... 233
1001207970.... 35, 37, 45, 205	1001213448..... 220	1001223055..... 265	1001230933..... 237
1001207973..... 43, 217	1001213491..... 145, 147, 149	1001223262..... 229, 241	1001231268 96, 100, 104, 108
1001207974.... 31, 33, 47, 203, 207, 209, 211, 213, 215	1001213554.....111, 113	1001223263..... 227, 239	1001231405..... 135
1001208057..... 81	1001213886.....147, 149	1001223650..... 243	1001231801..... 265
1001208058..... 83	1001214217..... 29	1001223651..... 245	1001232257..... 135
1001208061.....286	1001214347..... 85	1001223835..... 135	1001232474..... 287
1001208073..... 129, 131	1001214526..... 27	1001223971..... 271, 275	1001233237..... 286
1001208852.....123	1001214810..... 91	1001224048..... 277	1001234204 96, 100, 104, 108
1001208930.....179	1001215747..... 273	1001224049..... 279	1001234395..... 137
1001208931.....193	1001215748.....269, 279	1001224051..... 273	1001235018..... 119
1001208938.....191	1001215749.....271, 275	1001224052..... 269	1001235024..... 111
1001209482..... 185, 187, 197	1001215750..... 277	1001224468..... 157	1001235025..... 111
1001209595.....147	1001215751..... 277	1001224583..... 287	1001235059. 96, 100, 111
1001209596..... 145, 147	1001215752..... 273	1001224604..... 115	1001235060..... 96
1001209682..... 75, 77	1001215754..... 279	1001224608..... 115	1001235104 96, 100, 104, 108
1001209776..... 181, 183, 189, 195	1001215755..... 271, 275	1001224614..... 115	1001235105.... 31, 33, 35, 37, 39, 41
1001209906.....281	1001215762.....75, 77	1001224620..... 115	1001235152..... 35
1001209907.....265	1001215766..... 27	1001224622..... 115	1001235153..... 31
1001209908.....277	1001215953..... 27	1001224623..... 115	1001235154..... 43
1001209909.....273	1001216062... 75, 77, 284	1001224868..... 147	1001235156..... 47
1001209910.....269	1001216180..... 81	1001225164 96, 100, 104, 108	1001235157..... 45
1001209911.....279	1001216250..... 85	1001225377..... 223, 225, 227, 229	1001235158..... 39
1001209913.....271	1001216648.....269	1001225490..... 223	1001235536..... 159
1001209914.....267	1001216650.....269	1001225491..... 225	1001235541..... 119, 121
1001209920..... 89	1001216823..... 141	1001225492..... 227	1001235559.....75, 77
1001210064.....123	1001217043..... 123	1001225493..... 229	1001235863..... 159
1001210302..... 125, 129, 133, 135	1001217059..... 29	1001225790..... 286	1001235924..... 159
1001210401.... 81, 83, 85, 87	1001217164.....195, 197	1001225925..... 286	1001235946.... 43, 45, 47
1001210440..... 89		1001226277..... 157	1001236129..... 123
1001210442..... 129, 131, 135		1001226791 96, 100, 104, 108	1001236139.... 31, 33, 35, 37, 39, 41, 43, 45, 47, 49, 51, 53, 55
1001210443..... 129, 131		1001227219..... 207	1001236507..... 159
		1001227267..... 207	1001236880..... 147
		1001227703..... 281	
		1001227966..... 65, 67	

## SECTION 10 - SPECIAL OPTIONS/ACCESSORIES/KITS

1001236903 .....	286	1001254027 ....	33, 37, 41, 51, 199	1001258768 .....	211	1701640 ....	265, 267, 269, 271, 273, 275, 277, 279
1001236984 .....	281	1001254028 ....	33, 37, 41, 51, 201	1001258770 .....	209	1702010 .....	159
1001237212 .....	220	1001254114 .....	75, 219	1001258771 .....	213	1702155 ....	81, 83, 85, 87
1001237257 .....	286	1001254173 .....	71	1001258772 .....	215	1703464 .....	179, 181
1001239115 .....	286	1001254174 .....	71	1001258822 .....	281	1703813 .....	265
1001239224 .....	57, 59	1001254225 .....	175	1001258899 .....	281	1703816 .....	265
1001239661 .....	57, 59	1001254226 .....	175	1001258900 .....	281	1703819 ....	145, 147, 149, 265, 267, 269, 271, 273, 275, 277, 279
1001241486 .....	286	1001254227 .....	175	1001259102 .....	133	1703822 ....	265, 267, 269, 271, 273, 275, 277, 279
1001241604 .....	113	1001254444 .....	75	1001259105 .....	133	1704016 ....	265, 267, 269, 271, 273, 275, 277, 279
1001241605 .....	113	1001254636 .....	185	1001259106 .....	133	1704260 ....	145, 147, 149
1001242539 .....	57, 59	1001254637 .....	187	1001259107 .....	133	1704277 ....	265, 267, 269, 271, 273, 275, 277, 279
1001242697 .....	57	1001254638 .....	189	1001261040 .....	137	1704339 .....	279
1001243528 .....	137	1001254639 .....	181	1001261131 .....	155	1704340 .....	271, 275
1001244298 .....	273	1001254640 .....	183	1001261149 .....	133	1704341 .....	269
1001245353 .....	286	1001254640 .....	183	1001262150 .....	155	1704344 .....	273
1001246531 .....	286	1001254825 .....	137	1001262221 .....	145, 147, 149	1704412 ....	265, 267, 269, 271, 273, 275, 277, 279
1001247862 .....	59	1001255000 .....	286	1001262299 .....	19	1704684 .....	271, 275
1001247926 .....	87	1001255009 .....	287	1001262464 .....	17, 19	1704691 .....	279
1001248502 .....	286	1001255102 .....	281	1001262557 .....	287	1704699 .....	269
1001248503 .....	286	1001255104 .....	281	1001262655 .....	145, 147	1705195 .....	273
1001248631 .....	203	1001255105 .....	281	1001262655 .....	145, 147	1705647 .....	281
1001248632 .....	205	1001255105 .....	281	1001262959 .....	287	1705648 .....	281
1001248633 .....	207	1001255417 .....	133	1001263256 .....	49	1705670 .....	267
1001248689 .....	286	1001255420 .....	133	1001263257 .....	51	1707022 .....	277
1001249082 .....	137	1001255421 .....	133	1001263258 .....	53	2080040 ....	123, 125, 129, 133, 135, 137, 265, 267, 269, 271, 273, 275, 277, 279
1001249096 .....	137	1001255428 .....	133	1001263259 .....	55	2080043 .....	137
1001249107 .....	137	1001255430 .....	133	1001263294 .....	217	2080057 ....	265, 267, 269, 271, 273, 275, 277, 279
1001249109 .....	137	1001255442 .....	133	1001263294 .....	217	2220371 .....	73
1001249110 .....	138	1001255457 .....	133	1001263509 .....	108	2220372 .....	73
1001249111 .....	137	1001255470 .....	133	1001263536 .....	100	2220373 .....	175
1001249112 .....	138	1001255491 .....	133	1001263538 .....	15	2220374 .....	73
1001249114 .....	137	1001255505 .....	133	1001263538 .....	15	2220375 .....	175
1001249229 .....	286	1001255506 .....	175	1001265048 .....	281	2220415 .....	73, 175
1001249326 .....	286	1001255555 .....	91	1001265315 .....	287	2220497 .....	175
1001249639 .....	286	1001255597 .....	286	1001265316 .....	286	2220502 .....	175
1001250378 .....	27	1001255883 .....	287	1001265376 .....	286	2220582 .....	73
1001250431 .....	67	1001256174 .....	281	1001269646 .....	287	2220828 .....	175
1001250532 .....	286	1001256175 .....	281	1001269704 .....	17, 286	2220883 .....	167
1001251144 .....	286	1001256176 .....	281	1001269798 .....	286	2221086 .....	73
1001251145 .....	286	1001256471 .....	137	1001269944 .....	151	2221116 .....	96, 100, 104, 108
1001251146 .....	286	1001256471 .....	137	1001269947 .....	151	2400060 .....	201, 220
1001251232 .....	91	1001256503 .....	207	1001269949 .....	151	2420172 .....	75, 77
1001251233 .....	91	1001256642 .....	49, 51	1001269999 .....	149	2560088 .....	141
1001251234 .....	91	1001256643 .....	53, 55	1001270443 .....	151	2560190 .....	141
1001251235 .....	91	1001256657 .....	133	1001270470 .....	149	2600281 ....	125, 129, 133, 135, 137
1001251242 .....	91	1001256675 .....	137, 281	1001270471 .....	149	2860030 .....	75, 77, 284
1001251383 .....	137	1001256676 .....	281	1001270823 .....	19	2901443 .....	287
1001251388 .....	137	1001256787 .....	100, 108, 167	1001270898 .....	149	2902431 .....	179, 251
1001251436 .....	27	1001256788 .....	15, 171	1001270899 .....	151	2940129 .....	133
1001251437 .....	27	1001257171 .....	281	1001270901 .....	149	3080007 ....	125, 129, 133, 135, 284
1001253038 .....	71	1001257172 .....	281	1001271574 .....	19	3252507 ....	183, 185, 187, 189, 191, 193
1001253039 .....	65	1001257173 .....	281	1001274168 .....	155	3290305 .....	57, 59, 151
1001253153 .....	97, 100, 105, 108	1001257773 .....	265, 267, 269, 271, 273, 275, 277, 279	1060379 .....	161		
1001253280 .....	181, 183, 185, 187, 189	1001257890 .....	137	1060908 .....	195, 197		
1001253358 .....	71, 175	1001258356 .....	286	1060998 .....	81, 83, 85, 87		
1001253359 .....	65	1001258411 .....	138	1061034 .....	96, 100, 104, 108		
1001253653 .....	37	1001258446 .....	147, 149	1321293 .....	31, 33, 35, 37, 39, 41, 43, 45, 47, 49, 51, 53, 55, 89		
1001253654 .....	33	1001258498 .....	87	1321752 .....	175		
1001253655 .....	41	1001258528 .....	137	1380132 .....	141		
1001253800 .....	155	1001258617 .....	137	1380153 .....	13, 15		
1001253871 .....	77	1001258618 .....	137	1600402 .....	145, 147, 149, 153, 284		
1001253938 .....	145	1001258620 .....	137	1671207 .....	251		
1001253952 .....	33, 37, 41, 51	1001258633 .....	286	1701504 .....	265, 267, 269, 271, 273, 275, 277, 279		
		1001258661 .....	147, 149				
		1001258704 .....	137				



## SECTION 10 - SPECIAL OPTIONS/ACCESSORIES/KITS

3290405 ....27, 75, 89, 96, 100, 104, 108, 133, 143, 145, 147, 149, 179, 181, 183, 185, 187, 189, 191	3841143 91, 96, 100, 104, 108	4460247..... 219	4460944 .... 151, 199, 201, 219, 220, 223, 225, 227, 229, 231, 233, 235, 237, 239, 241
3290501 .....137	3860111 .... 125, 129, 133, 137	4460259..... 219	4460956 ..... 195
3290505 .....207	3900381 .....207	4460260..... 219	4460957 ..... 195
3290506 .....133	3910804 .....75, 77	4460265..... 249	4460965 ..... 219
3290601 .....29	3990001 .....201	4460267..... 249	4460968 ..... 191
3290605 .... 17, 19, 31, 33, 35, 37, 39, 41, 43, 45, 47, 49, 51, 53, 55, 61, 71, 75, 77, 89, 96, 100, 104, 108, 123, 133, 137, 181, 183, 185, 187, 189	4010310 .....57, 59	4460315..... 179, 191	4460970 ..... 247
3290606 .... 125, 129, 133, 135, 137, 141, 143, 157, 159	4010408 .....143	4460320..... 220	4461016 ..... 249
3290801 ..... 27, 71	4010608 .... 125, 129, 133, 135, 137	4460346..... 251	4461023 ..... 219
3290805 27, 91, 119, 121, 123, 175, 207	4010610 .... 181, 183, 185, 187, 189	4460418..... 89, 219, 249	4461196 .....213, 253
3290806 .... 125, 129, 133, 135, 137, 141, 143, 145, 147, 149	4010616 ..... 125, 129, 133	4460419..... 89	4461198 ..... 253
3291005 ..65, 71, 91, 115, 123	4010617 .....129, 135	4460424.....31, 33, 35, 37, 39, 41, 49, 51	4461199 .....215, 255
3291006 ..... 63, 115, 129, 137, 157	4010618 .... 125, 129, 133, 135, 137	4460464...61, 89, 96, 100, 104, 108, 151, 157, 201, 220, 223, 225, 227, 229, 231, 233, 235, 237, 239, 241, 243, 245, 247, 249	4461201 ..... 255
3291007 91, 96, 100, 104, 108, 119, 121	4031506 ..... 133	4460465 57, 59, 151, 157, 201, 219, 220, 223, 225, 227, 229, 231, 233, 235, 237, 239, 241, 243, 245, 247	4461205 ..... 211, 257, 259
3291201 .....91	4031509 ..... 145, 147, 149	4460466.....157, 199, 201, 219, 220, 223, 225, 227, 229, 231, 233, 235, 237, 239, 241, 243, 245, 247, 249	4461244 ..... 257
3311502 .....123	4031511 .....27	4460467 ..... 287	4461245 ..... 259
3311505 .....161	4031512 ..... 96, 100, 104, 108	4460496 ..... 145, 147	4461246 ..... 261
3321402 .....96, 100, 104, 108	4031707 .....43, 47	4460497 ..... 145, 147	4461249 .....209, 261
3331211 .....21	4031708 ..... 29, 43, 47, 55	4460510 ..... 287	4461257 .....181, 183
3340962 .....96, 100, 104, 108, 133	4060803 65, 67, 145, 147, 149	4460536 ..... 157	4461258 .....181, 183
3421854 .....161	4060906 .... 145, 147, 149	4460539.....220, 227, 229, 239, 241, 247	4711700 .... 145, 147, 149
3422219 ..... 129, 137	4071095 .....137	4460662.....185, 187, 189, 251	4711800 .....123
3423037 ..... 13, 15	4160078 ..... 96, 100, 104, 108	4460670 ..... 220	4740438 ..... 96, 100, 104, 108
3423243 .....91	4160202 .....27	4460754.....223, 225, 227, 229, 231, 233, 235, 237, 239, 241, 243, 245	4740531 ..... 96, 100, 104, 108
3423278 .... 145, 147, 149	4160214 .....91	4460761 ..... 219	4751500 ..... 161
3430636 .....27	4220309 ..... 137	4460871 .....201, 220	4811400 89, 96, 100, 104, 108, 133, 143, 145, 147, 149, 179, 181, 183, 185, 187, 189, 191
3430814 .....123	4240017 .... 31, 33, 35, 37, 39, 41, 43, 45, 47, 49, 51, 53, 55, 75, 77, 81, 83, 85, 87, 89, 96, 100, 104, 108, 151, 157, 175, 179, 181, 183, 185, 187, 189, 191, 193, 203, 205, 207, 209, 211, 213, 215, 223, 225, 227, 229, 231, 233, 235, 237, 239, 241, 243, 245	4460872 ..... 201	4811700 .... 17, 19, 61, 71, 75, 77, 89, 96, 100, 104, 108, 125, 129, 133, 135, 137, 143, 145, 147, 149, 159, 181, 183, 185, 187, 189
3430816 .....123	4240018 .....59	4460884.....201, 219, 247	4811702 .... 27, 29, 31, 33, 35, 37, 39, 41, 43, 45, 47, 49, 51, 53, 55, 65, 67, 96, 100, 104, 108, 141
3431212 .....27	4240147 .....27	4460887 ..... 201	4811900 27, 71, 119, 121, 123, 125, 129, 133, 135, 137, 141, 145, 147, 149, 175
3431218 .....27	4240165 ..... 159	4460891 ..... 201, 220, 223, 225, 227, 229, 231, 233, 235, 237, 239, 241	4811902 ..27, 71, 91, 135, 143, 207
3450302 .....27	4360328 ..... 75, 77, 284	4460894.....151, 219, 220, 223, 225, 227, 229, 231, 233, 235, 237, 239, 241	4812000 .... 13, 15, 27, 71, 91, 96, 100, 104, 108, 115, 123, 129, 137, 157
3450303 .....91	4360336 .....89, 284	4460897 61, 89, 201, 220, 227, 229, 239, 241	4812002 ... 63, 65, 91, 123
3450403 .....123	4360345 .....145, 284	4460899.....96, 100, 104, 108, 151, 223, 225, 227, 229, 231, 233, 235, 237, 239, 241, 243, 245	4812500 ..... 27
3450404 .....123	4360469 ..... 75, 77, 284	4460905 .....201, 220	4831600 ..... 207
3450505 .....27	4360475 75, 77, 145, 147, 149, 284	4460932 ..... 201	4846757 .....13, 15
3450508 .....25	4420037 ..... 159	4460933 .....199, 219	4923328 .... 81, 83, 85, 87
3520072 .... 115, 125, 129, 133, 135, 137	4420051 .....281	4460943.....151, 199, 223, 225, 227, 229, 231, 233, 235, 237, 239, 241, 243, 245	5241000 ..... 123
3574505 .....159	4420062 ..... 71, 125, 129, 133, 135, 137, 145, 147, 149, 161	4460905 .....201, 220	5241200 ..... 21
3740150 ..... 75, 89, 284	4460042 ..... 219	4460932 ..... 201	5271808 ..... 71
3760115 .....96, 100, 104, 108	4460115 ..... 219	4460933 .....199, 219	5272117 ..... 21
3760170 .....96, 100, 104, 108, 161	4460138 ..... 179	4460943.....151, 199, 223, 225, 227, 229, 231, 233, 235, 237, 239, 241, 243, 245	5272122 ..... 21
3760217 ..... 13, 15	4460183 .....219, 249	4460943.....151, 199, 223, 225, 227, 229, 231, 233, 235, 237, 239, 241, 243, 245	7000082 ..... 153
3760387 .....96, 100, 104, 108	4460226 ..... 220	4460943.....151, 199, 223, 225, 227, 229, 231, 233, 235, 237, 239, 241, 243, 245	7000084 ..... 153
3820019 .....141	4460227 .... 31, 33, 35, 37, 39, 41, 49, 51, 219	4460943.....151, 199, 223, 225, 227, 229, 231, 233, 235, 237, 239, 241, 243, 245	70000278 ..... 23
3820032 .....137	4460234 ..... 157		70000683 ..... 153

## SECTION 10 - SPECIAL OPTIONS/ACCESSORIES/KITS

70000684.....	153	70005800.....	169	70005912.....	73	7004276.....	287
70000685.....	153	70005803.....	169	70005913.....	73	7016654.....	287
70000686.....	153	70005805.....	169	70005914.....	73	7020175.75, 77, 145, 147	
70001250.....	153	70005806.....	23	70005918.....	21	7020176.75, 77, 145, 147	
70001251.....	153	70005807.....	23	70005919.....	21	7020218.....	96, 100, 104, 108
70001252.....	153	70005808.....	23	70006143.....	169	7023308.....	23
70001253.....	153	70005809.....	23	70007077.....	171	7023310.....	23
70001878.....	96, 100, 104, 108	70005812.....	23	70007079.....	171	7023311.....	23
70002410.....	165	70005813.....	23	70007118.....	171	7023315.....	23
70003636.....	167, 171	70005814.....	23	70007134.....	167	7023318.....	23
70003650.....	153	70005815.....	71	70007135.....	167	7023319.....	23
70004231.....	165	70005816.....	71	70007572.....	167	7023324.....	23
70004232.....	165	70005817.....	71	70007573.....	167	7023328.....	23
70004233.....	165	70005891.....	73	70007574.....	167	7023328.....	23
70004241.....	169	70005892.....	73	70007575.....	167	7027365.....	153
70004585.....	167	70005893.....	73	70007576.....	167	7027367.....	153
70005236.....	167	70005895.....	73	70007577.....	167	7027765.....	153
70005423.....	71, 284	70005896.....	73	70007578.....	167	7027766.....	153
70005790.....	165	70005898.....	73	70007579.....	171	8220045.....	220
70005791.....	165	70005898.....	73	70007580.....	171	8229242.....	220, 284
70005792.....	165	70005899.....	73	70007581.....	171	8229244.....	220
70005793.....	165	70005900.....	73	70021209.....	73	8750014.....	175
70005794.....	165	70005903.....	73	70023370.....	165	8896941.....	287
70005795.....	165	70005904.....	73	7002821.....	287	8990147....	265, 267, 269, 271, 273, 275, 277, 279
70005796.....	165	70005905.....	73	7002822.....	287		
70005797.....	165	70005907.....	73	7002823.....	287		
70005798.....	169	70005908.....	73	7002826.....	287		
		70005909.....	73	7004275.....	287		
		70005911.....	73				





An Oshkosh Corporation Company

**Corporate Office**  
**JLG Industries, Inc.**  
**1 JLG Drive**  
**McConnellsburg, PA 17233-9533 USA**  
☎ **(717) 485-5161 (Corporate)**  
☎ **(877) 554-5438 (Customer Support)**  
📠 **(717) 485-6417**

**Visit our website for JLG Worldwide Locations.**  
**[www.jlg.com](http://www.jlg.com)**