



Illustrated Parts Manual

Model **2032ES** **2632ES**

SN 0200000100 to 0200267364

SN 1200000100 to 1200034951

SN B200000100 to Present
Except PVC 1910 & PVC 2004 &
PVC 2010 & PVC 2104 Machines

SN M200000100 to M200039289
Excluding SN M200038007-38008

P/N
3121682

March 15, 2021 - Rev S

ANSI

CE



AS/NZS



An Oshkosh Corporation Company

REVISION LOG

NOTE: Country of Manufacture - The ES Scissor Lifts are manufactured by JLG Industries in the following countries:

USA, Belgium, China or Mexico. Refer to the Serial Number Tag to identify the country of manufacture. ES Scissors manufactured in the USA will have a serial number prefix of 02 (i.e. 02XXXXXXXX), ES Scissors manufactured in Belgium will have a prefix of 12 (i.e. 12XXXXXXXX), ES Scissors manufactured in China will have a serial number prefix of B2 (i.e. B2XXXXXXXX) and ES Scissors manufactured in Mexico will have a serial number prefix of M2 (i.e. M2XXXXXXXX).

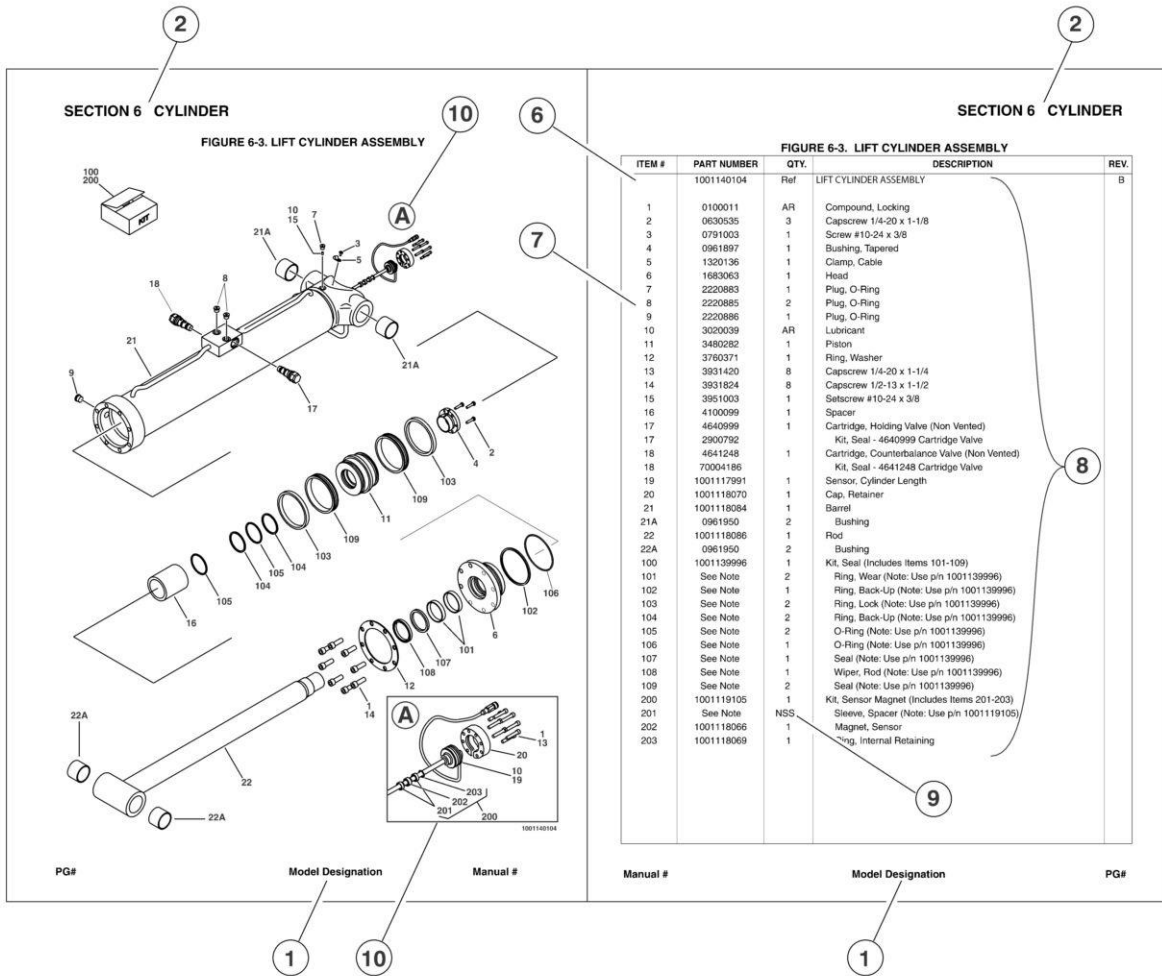
MANUAL REVISION LOG:

November 4, 2014 - A - Original Issue Of Manual (Edit to B/M 1001180000 Revision G)
September 15, 2015 - B - Revised Manual (Edit to B/M 1001180000 Revision W) (Revision 1)
December 2, 2015 - C - Revised Manual (Edit to B/M 1001180000 Revision X) (Revision 3)
March 21, 2016 - D - Revised Manual (Edit to B/M 1001180000 Revision AE) (Revision 2)
June 30, 2016 - E - Revised Manual (Edit to B/M 1001180000 Revision AI) (Revision 2)
September 9, 2016 - F - Revised Manual (Edit to B/M 1001180000 Revision AI) (Revision 2)
December 14, 2016 - G - Revised Manual (Edit to B/M 1001180000 Revision AI) (Revision 2)
March 15, 2017 - H - Revised Manual (Edited to B/M 1001180000 revision AU and 1001215518 Revision B) (Revision 2)
June 2, 2017 - I - Revised Manual (Edited to B/M 1001180000 revision AW and 1001215518 Revision B) (Revision 2)
August 4, 2017 - J - Revised Manual (Edited to B/M 1001180000 revision AW and 1001215518 Revision B) (Revision 2)
November 10, 2017 - K - Revised Manual (Edited to B/M 1001180000 Revision AW and 1001215518 Revision B)
December 8, 2017 - L - Revised Manual (Edited to B/M 1001180000 Revision BA and 1001215518 Revision C) (Revision 2)
April 12, 2018 - M - Revised Manual (Edited to B/M 1001180000 Revision BF and 1001215518 Revision C) (Revision 1)
June 8, 2018 - N - Revised Manual (Edited to B/M 1001180000 Revision BF and 1001215518 Revision D) (Revision 2)
October 1, 2018 - O - Revised Manual (Edited to B/M 1001180000 Revision BL and 1001215518 Revision E) (Revision 1)
January 18, 2019 - P - Revised Manual (Edited to B/M 1001180000 Revision BP and 1001215518 Revision F) (Revision 1)
April 16, 2020 - Q - Revised Manual (Edited to B/M 1001180000 Revision BP and 1001215518 Revision F)
August 10, 2020 - R - Revised Manual (Edited to B/M 1001180000 Revision BS and 1001215518 Revision M)

REVISION LOG

March 15, 2021 - S - Revised Manual (Edited to 1001180000 Rev BS and 1001215518 Rev M)

GENERAL INFORMATION



1) MACHINE IDENTIFICATION

Machines are identified by model and in some cases a combination of models, serial number (SN) or regional standard (i.e. ANSI, CE, CSA). Components may also be identified by SN or manufacturer. Common components that may be identified by these characteristics are engines and hydraulic components.

2) PARTS MANUAL ORGANIZATION

Product information in this manual is organized under section titles. Frame, Cylinder, Hydraulic and Electrical are a few examples. Each section is organized by figure and page number. The information within the figure is then organized by item number, part number, description and corresponding illustration (s).

3) TABLE OF CONTENTS

A table of contents is found toward the beginning of the manual. Figure number, description and page number are provided for quick reference to the page containing the related information.

4) RECOMMENDED SPARE PARTS

The Recommended Spare Parts, located near the end of the manual, reference most frequently used maintenance parts.

5) PART NUMBER INDEX

A numerical index listing all part numbers and the corresponding page number(s) appears at the back of the manual.

GENERAL INFORMATION

6) NON-SERVICED PARTS

In some instances, it is necessary to display non-serviced parts, assemblies or installations. In the case of assemblies and installations there will be a Ref in the Qty column. In case of parts that are not available for service within assemblies or components, there will be a NSS (Not Sold Separately) or NLA (No Longer Available) listed in the Qty. column of the manual.

7) PARTS LIST ITEM NUMBERS

Numbers shown in the item# column correspond to numbers used in the associated illustration (s). Item numbers which are missing from the sequence in the parts list are not used on that page

8) INDENTED PARTS DESCRIPTION

An indented part description is included in the item under which it is indented.

9) ABB REVIATION AND SYMBOLS

AC.....	.. Alternating Current	LCD Liquid Crystal Display
ADE.Advanced Design Electronics	LED Light Emitting Diodes
ANSIAmerican National Standards Institute	LH... Left Hand
AR..As Required	LSSLoad Sensing System
ASSY Assembly	M(m)... Metric/Meter
AUX...Auxiliary	MM (mm)Milimeter
AWGAmerican WireGauge	mA.....	.. Miliamps
B/M.....	.. Bill of Material	NLA.....	..No Longer Available
CE..European Conformity	NPT National Pipe Threads
CCWCounter Clockwise	NSSNot Sold Separately
cm.....	.. Centimeter	OD.....	..Outside Diameter
CWClockwise	ORB.....	.. O-Ring Boss
CSA.Canadian Standards Association	ORFS.....	.. O-Ring Face Seal
CYL...Cylinder	OZ (oz)Ounces
DIA.....	..Diameter	PGPage
DC.....	..Direct Current	P/N.Part Number
EMS Emergency Stop	qt.....	..Quarts
ENGEngine	QTY.....	..Quantity
FT(ft).....	.. Feet	REFReference
GA(Ga)..Gauge	REVRevision Level
HYDHydraulic	RH... Right Hand
HZ. Hertz	SAE.....	.. Society of Automotive Engineers
ID.....	..Inside Diameter	SN..Serial Number
in.....	..inches	SPEC(S).....	..Specifications
ISOInternational Organization for Standards	T/T.....	..Turntable
JIC.....	..Joint Industry Council	UGMUniversal Ground Module
KGKilogram	V.....	.. Volts
L.....	..Liter	W.....	.. Watts
LBPounds	#.....	.. Number

10) ILLUSTRATION REFERENCE LETTERS

When necessary, illustrations may contain reference letters that are intended to track information (i. e. hoses, harnesses) from one point to another or to track visual enlargement of components to show details that may be located in another area on the illustration.

Note: Due to continuous product improvements, JLG Industries, Inc. reserves the right to make specification changes without prior notification. Contact JLG Industries, Inc. for updated information.

TABLE OF CONTENTS

SECTION 1 - FRAME.....	13
FIGURE 1-1. STEERING INSTALLATION (USA AND MEXICO BUILT MACHINES) (SN 0200000100 to Present, SN M200000100 through M200039289)	14
FIGURE 1-2. STEERING INSTALLATION (BELGIUM AND CHINA BUILT MACHINES)	16
FIGURE 1-3. DRIVE HUB AND MODULE INSTALLATION	18
FIGURE 1-4. DRIVE HUB AND MODULE INSTALLATION (BELGIUM BUILT MACHINES ONLY)	20
FIGURE 1-5. DRIVE MOTOR/HUB ASSEMBLY	22
FIGURE 1-6. HUB ASSEMBLY - REAR.....	26
FIGURE 1-7. TIRE AND WHEEL ASSEMBLY	28
FIGURE 1-8. POTHOLE PROTECTION INSTALLATION - NON-UL.....	30
FIGURE 1-9. POTHOLE PROTECTION INSTALLATION - UL	32
FIGURE 1-10. BATTERY CHARGER INSTALLATION WITH 110V PLUG AND DELTA-Q CHARGER (ANSI, ANSI EXPORT, CSA, JAPANESE AND UL SPECS)	34
FIGURE 1-11. BATTERY CHARGER INSTALLATION WITH 110V PLUG AND EAGLE PERFORMANCE CHARGER (ANSI AND CSA SPECS).....	36
FIGURE 1-12. BATTERY CHARGER INSTALLATION WITH LOCALLY SUPPLIED PLUG AND DELTA-Q CHARGER (ANSI, ANSI EXPORT, CSA AND CE SPECS)	38
FIGURE 1-13. BATTERY CHARGER INSTALLATION WITH LOCALLY SUPPLIED PLUG AND EAGLE PERFORMANCE CHARGER (ANSI AND CSA SPECS).....	40
FIGURE 1-14. BATTERY CHARGER INSTALLATION WITH LOCALLY SUPPLIED PLUG (AUSTRALIAN SPEC) (SN 0200000100 to Present, SN B200000100 through B200061738, SN M200000100 to Present, SN 1200000100 to Present)	42
FIGURE 1-15. BATTERY CHARGER INSTALLATION WITH LOCALLY SUPPLIED PLUG (AUSTRALIAN SPEC) (SN B200061739 to Present).....	44
FIGURE 1-16. BATTERY CHARGER INSTALLATION – WITH VOLTAGE GUARD (LOCALLY SUPPLIED PLUG) (ANSI EXPORT AND KOREA SPECS).....	46
FIGURE 1-17. BATTERY CHARGER INSTALLATION – WITH VOLTAGE GUARD AND CHINESE PLUG (ANSI EXPORT AND KOREA SPECS)	48
FIGURE 1-18. BATTERY CHARGER INSTALLATION – WITH VOLTAGE GUARD AND CHINESE PLUG (CHINESE SPECS) (SN B200000100 through B200046727)	50
FIGURE 1-19. BATTERY CHARGER INSTALLATION WITH CHINESE PLUG (CHINESE SPEC)	52
FIGURE 1-20. BATTERY CHARGER ASSEMBLY - DELTA-Q.....	54
FIGURE 1-21. BATTERY CHARGER ASSEMBLY - EAGLE PERFORMANCE	56
FIGURE 1-22. CHARGER (INVERTER) INSTALLATION (ANSI, ANSI EXPORT, CSA SPECS)	58
FIGURE 1-23. BATTERY CHARGER INSTALLATION - GREEN POWER (CHINESE PLUG) (CHINESE SPECS) (SN 0200000100 through 0200261035, SN B200000100 through B200036484, SN M200000100 through M200007339)	60
FIGURE 1-24. BATTERY CHARGER INSTALLATION - GREEN POWER (CHINESE PLUG) (CHINESE SPECS)	62
FIGURE 1-25. BATTERY CHARGER INSTALLATION - GREEN POWER (LOCALLY SUPPLIED PLUG) (KOREA SPECS)	64
FIGURE 1-26. BATTERY CHARGER INSTALLATION - GREEN POWER (110V PLUG) (JAPANESE SPECS)	66
FIGURE 1-27. BEACON (AMBER) LIGHT INSTALLATION (OPTIONAL).....	68
FIGURE 1-28. LADDER INSTALLATION - 2032ES	70
FIGURE 1-29. LADDER INSTALLATION - 2632ES	72
SECTION 2 - GROUND COMPONENTS	75
FIGURE 2-1. GROUND CONTROL BOX/ALARM INSTALLATION - NO LSS (SN 0200000001 to Present, SN B200023312 to Present, SN M200000100 through M200039289)	76
FIGURE 2-2. GROUND CONTROL BOX/ALARM INSTALLATION - NO LSS (SN B200000100 through B200023311)	78
FIGURE 2-3. GROUND CONTROL BOX/ALARM INSTALLATION - LSS (ALL SPECS EXCEPT CE SPEC) (SN 0200000001 to Present, SN B200023312 to Present, SN M200000100 through M200039289)	80
FIGURE 2-4. GROUND CONTROL BOX/ALARM INSTALLATION - LSS (ALL SPECS EXCEPT CE SPEC) (SN B200000100 through B200023311)	82
FIGURE 2-5. GROUND CONTROL BOX/ALARM INSTALLATION - LSS (CE SPEC) (SN 0200000001 through 0200241828)	84
FIGURE 2-6. GROUND CONTROL BOX/ALARM INSTALLATION - LSS (CE SPEC) (SN B200000100 through B200021650)	86
FIGURE 2-7. GROUND CONTROL BOX/ALARM INSTALLATION - LSS (CE SPECS) (SN 0200241829 to Present, SN B200021651 to Present, SN M200000100 through M200039289)	88
FIGURE 2-8. GROUND CONTROL BOX/ALARM INSTALLATION - LSS (CE SPECS) (SN 1200025021 to Present)	90
FIGURE 2-9. GROUND CONTROL BOX ASSEMBLY - NO LSS (SN 0200000001 to Present, SN B200023312 to Present, SN M200000100 through M200039289)	92
FIGURE 2-10. GROUND CONTROL BOX ASSEMBLY - NO LSS (SN B200000100 through B200023311)	94
FIGURE 2-11. GROUND CONTROL BOX ASSEMBLY - LSS (ALL SPECS EXCEPT CE SPEC) (SN 0200000001 to Present, SN B200023312 to Present, SN M200000100 through M200039289)	96
FIGURE 2-12. GROUND CONTROL BOX ASSEMBLY - LSS (ALL SPECS EXCEPT CE SPEC) (SN B200000100 through B200023311).....	98
FIGURE 2-13. GROUND CONTROL BOX ASSEMBLY - LSS (CE SPECS) (SN 0200000001 through 0200241828)	100
FIGURE 2-14. GROUND CONTROL BOX ASSEMBLY - LSS (CE SPECS) (SN B200000100 through B200021650)	102

TABLE OF CONTENTS

FIGURE 2-15. GROUND CONTROL BOX ASSEMBLY - LSS (CE SPECS) (SN 0200241829 to Present, SN B200021651 to Present, SN M200000100 through M200039289)	104
FIGURE 2-16. BATTERIES INSTALLATION - AGM AND EVG TYPE - 225 AH RATING (NON-LOCKING COVERS)	106
FIGURE 2-17. BATTERIES INSTALLATION - AGM AND EVG TYPE - 225 AH RATING (NON-UL LOCKING COVERS)	108
FIGURE 2-18. BATTERIES INSTALLATION - AGM AND EVG TYPE - 225 AH RATING (UL LOCKING COVERS)	110
FIGURE 2-19. BATTERIES INSTALLATION - AGM VISION AND EVG TYPE - 220 AH RATING (NON-LOCKING COVERS)	112
FIGURE 2-20. BATTERIES INSTALLATION - AGM VISION AND EVG TYPE - 220 AH RATING (NON-UL LOCKING COVERS)	114
FIGURE 2-21. BATTERIES INSTALLATION - EV TYPE - 244 AH RATING (NON-LOCKING COVERS)	116
FIGURE 2-22. BATTERIES INSTALLATION - EV TYPE - 244 AH RATING (NON-UL LOCKING COVERS)	118
FIGURE 2-23. BATTERIES INSTALLATION - EV TYPE - 244 AH RATING (UL LOCKING COVERS)	120
FIGURE 2-24. BATTERIES INSTALLATION - GC TYPE - 225 AH RATING (NON-LOCKING COVERS)	122
FIGURE 2-25. BATTERIES INSTALLATION - GC TYPE - 225 AH RATING (NON-UL LOCKING COVERS)	124
FIGURE 2-26. BATTERIES INSTALLATION - GC TYPE - 225 AH RATING (UL LOCKING COVERS)	126
FIGURE 2-27. BATTERIES INSTALLATION - 220 AH RATING WITHOUT BATTERIES (NON LOCKING COVERS)	128
FIGURE 2-28. BATTERY TRAY ASSEMBLY - NON-UL	130
FIGURE 2-29. BATTERY TRAY ASSEMBLY - UL	132
FIGURE 2-30. BATTERY COVER ASSEMBLY - NON-LOCKING	134
FIGURE 2-31. BATTERY COVER ASSEMBLY - LOCKING	136
FIGURE 2-32. BRAKE DISCONNECT AND MDI (MULTIFUNCTION DIGITAL INDICATOR) GAUGE INSTALLATION	138
FIGURE 2-33. BRAKE CABLE INSTALLATION (OPTIONAL)	140
SECTION 3 - SCISSORS ARMS	143
FIGURE 3-1. SCISSORS ARMS INSTALLATION - 2032ES STANDARD HYDRAULIC OIL (USA AND MEXICO BUILT MACHINES) (SN 0200000100 to Present, SN M200000100 through M200039289)	144
FIGURE 3-2. SCISSORS ARMS ASSEMBLY - 2032ES STANDARD HYDRAULIC OIL (USA AND MEXICO BUILT MACHINES) (SN 0200000100 to Present, SN M200000100 through M200039289)	146
FIGURE 3-3. SCISSORS ARMS INSTALLATION - 2032ES STANDARD HYDRAULIC OIL (BELGIUM AND CHINA BUILT MACHINES)	148
FIGURE 3-4. SCISSORS ARMS ASSEMBLY - 2032ES STANDARD HYDRAULIC OIL (BELGIUM AND CHINA BUILT MACHINES)	150
FIGURE 3-5. SCISSORS ARMS INSTALLATION - 2032ES BIODEGRADABLE HYDRAULIC OIL (USA AND MEXICO BUILT MACHINES) (SN 0200000100 to Present, SN M200000100 through M200039289)	152
FIGURE 3-6. SCISSORS ARMS ASSEMBLY - 2032ES BIODEGRADABLE HYDRAULIC OIL (USA AND MEXICO BUILT MACHINES) (SN 0200000100 to Present, SN M200000100 through M200039289)	154
FIGURE 3-7. SCISSORS ARMS INSTALLATION - 2032ES BIODEGRADABLE HYDRAULIC OIL (CHINA BUILT MACHINES)	156
FIGURE 3-8. SCISSORS ARMS ASSEMBLY - 2032ES BIODEGRADABLE HYDRAULIC OIL (CHINA BUILT MACHINES)	158
FIGURE 3-9. SCISSORS ARMS INSTALLATION - 2632ES STANDARD HYDRAULIC OIL (USA BUILT MACHINES) (SN 0200000001 through 0200241220)	160
FIGURE 3-10. SCISSORS ARMS ASSEMBLY - 2632ES STANDARD HYDRAULIC OIL (USA BUILT MACHINES) (SN 0200000001 through 0200241220)	162
FIGURE 3-11. SCISSORS ARMS INSTALLATION - 2632ES STANDARD HYDRAULIC OIL (USA AND MEXICO BUILT MACHINES) (SN 0200241221 to Present, SN M200000100 through M200022019)	166
FIGURE 3-12. SCISSORS ARMS ASSEMBLY - 2632ES STANDARD HYDRAULIC OIL (USA AND MEXICO BUILT MACHINES) (SN 0200241221 to Present, SN M200000100 through M200039289)	168
FIGURE 3-13. SCISSORS ARMS INSTALLATION - 2632ES STANDARD HYDRAULIC OIL (CHINA BUILT MACHINES) (SN B200000100 through B200020981)	172
FIGURE 3-14. SCISSORS ARMS ASSEMBLY - 2632ES STANDARD HYDRAULIC OIL (CHINA BUILT MACHINES) (SN B200000100 through B200020981)	174
FIGURE 3-15. SCISSORS ARMS INSTALLATION - 2632ES STANDARD HYDRAULIC OIL (BELGIUM, CHINA AND MEXICO BUILT MACHINES) (SN 1200025021 to Present, SN B200020982 to Present, SN M200022020 through M200039289)	178
FIGURE 3-16. SCISSORS ARMS ASSEMBLY - 2632ES STANDARD HYDRAULIC OIL (BELGIUM AND CHINA BUILT MACHINES) (SN 1200025021 to Present, SN B200020982 to Present)	180
FIGURE 3-17. SCISSORS ARMS INSTALLATION - 2632ES BIODEGRADABLE HYDRAULIC OIL (USA BUILT MACHINES) (SN 0200000001 through 0200241220)	184
FIGURE 3-18. SCISSORS ARMS ASSEMBLY - 2632ES BIODEGRADABLE HYDRAULIC OIL (USA BUILT MACHINES) (SN 0200000001 through 0200241220)	186
FIGURE 3-19. SCISSORS ARMS INSTALLATION - 2632ES BIODEGRADABLE HYDRAULIC OIL (USA AND MEXICO BUILT MACHINES) (SN 0200241221 to Present, SN M200000100 through M200039289)	190
FIGURE 3-20. SCISSORS ARMS ASSEMBLY - 2632ES BIODEGRADABLE HYDRAULIC OIL (USA AND MEXICO BUILT MACHINES) (SN 0200241221 to Present, SN M200000100 through M200039289)	192
FIGURE 3-21. SCISSORS ARMS INSTALLATION - 2632ES BIODEGRADABLE HYDRAULIC OIL (CHINA BUILT MACHINES) (SN B200000100 through B200020891)	196
FIGURE 3-22. SCISSORS ARMS ASSEMBLY - 2632ES BIODEGRADABLE HYDRAULIC OIL (CHINA BUILT MACHINES) (SN B200000100 through B200020891)	198

TABLE OF CONTENTS

FIGURE 3-23. SCISSORS ARMS INSTALLATION - 2632ES BIODEGRADEABLE HYDRAULIC OIL (CHINA BUILT MACHINES) (SN B200020982 to Present).....	202
FIGURE 3-24. SCISSORS ARMS ASSEMBLY - 2632ES BIODEGRADEABLE HYDRAULIC OIL (CHINA BUILT MACHINES) (SN B200020982 to Present).....	204
SECTION 4 - PLATFORM	207
FIGURE 4-1. PLATFORM INSTALLATION - WITH INSIDE EXTENSION RAILS AND WITHOUT LSS.....	208
FIGURE 4-2. PLATFORM INSTALLATION - WITH OUTSIDE EXTENSION RAILS AND WITHOUT LSS	210
FIGURE 4-3. PLATFORM INSTALLATION - WITH INSIDE EXTENSION RAILS AND WITH LSS.....	212
FIGURE 4-4. PLATFORM INSTALLATION - WITH OUTSIDE EXTENSION RAILS AND WITH LSS.....	214
FIGURE 4-5. PLATFORM AND EXTENSION ASSEMBLY - WITH INSIDE EXTENSION RAILS	216
FIGURE 4-6. PLATFORM AND EXTENSION ASSEMBLY - WITH OUTSIDE EXTENSION RAILS	218
FIGURE 4-7. LATCH ASSEMBLY - WITH INSIDE EXTENSION RAILS (SN 0200249260 to Present, SN 1200025023 through 1200030229, SN B200024834 through B200051215, SN M200000100 through M200021508).....	220
FIGURE 4-8. LATCH ASSEMBLY - WITH INSIDE EXTENSION RAILS (SN 1200030230 to Present, SN B200051216 to Present, SN M200021509 through M200039289)	222
FIGURE 4-9. LATCH ASSEMBLY - WITH OUTSIDE EXTENSION RAILS	224
FIGURE 4-10. RAILS INSTALLATION - WITH INSIDE EXTENSION RAILS AND CHAIN GATE	226
FIGURE 4-11. RAILS INSTALLATION - WITH INSIDE EXTENSION RAILS, HANDLE AND CHAIN GATE	228
FIGURE 4-12. RAIL KIT - WITH INSIDE EXTENSION RAILS AND CHAIN GATE	230
FIGURE 4-13. RAIL KIT - WITH INSIDE EXTENSION RAILS, HANDLE AND CHAIN GATE	232
FIGURE 4-14. RAILS INSTALLATION - WITH INSIDE EXTENSION RAILS AND SELF CLOSING GATE	234
FIGURE 4-15. RAILS INSTALLATION - WITH INSIDE EXTENSION RAILS, HANDLE AND SELF CLOSING GATE	236
FIGURE 4-16. RAILS INSTALLATION - WITH OUTSIDE EXTENSION RAILS AND SELF CLOSING GATE	238
FIGURE 4-17. RAIL KIT - WITH INSIDE EXTENSION RAILS AND SELF CLOSING GATE	240
FIGURE 4-18. RAIL KIT - WITH INSIDE EXTENSION RAILS, HANDLE AND SELF CLOSING GATE	242
FIGURE 4-19. RAIL KIT - WITH OUTSIDE EXTENSION RAILS AND SELF CLOSING GATE	244
FIGURE 4-20. PLATFORM CONSOLE ASSEMBLY	246
FIGURE 4-21. PLATFORM CONSOLE ASSEMBLY	248
FIGURE 4-22. DRIVE/STEER CONTROLLER ASSEMBLY.....	250
FIGURE 4-23. PLATFORM CONSOLE HANGER INSTALLATION (OPTIONAL)	252
FIGURE 4-24. WORKSTATION WITHOUT DC CONVERTER INSTALLATION - 2032ES/2632ES	254
FIGURE 4-25. WORKSTATION WITH DC CONVERTER INSTALLATION - 2032ES ONLY	256
FIGURE 4-26. WORKSTATION WITH DC CONVERTER INSTALLATION - 2632ES ONLY	258
FIGURE 4-27. ELECTRICIAN'S TREE INSTALLATION.....	260
FIGURE 4-28. LOW HEIGHT DRIVE CUTOUT - 2032ES (JAPANESE SPECS ONLY).....	262
FIGURE 4-29. LOW HEIGHT DRIVE CUTOUT - 2632ES (JAPANESE SPECS ONLY).....	264
FIGURE 4-30. OVERHEAD PROTECTION AND LOW HEIGHT DRIVE CUTOUT - 2032ES (KOREAN SPECS ONLY).....	266
FIGURE 4-31. OVERHEAD PROTECTION AND LOW HEIGHT DRIVE CUTOUT - 2632ES (KOREAN SPECS ONLY).....	268
FIGURE 4-32. OVERHEAD SWITCH KIT (FRONT) (SN M200000100 through B200046826).....	270
FIGURE 4-33. OVERHEAD SWITCH KIT (REAR) (SN M200000100 through B200046826)	272
FIGURE 4-34. OVERHEAD SWITCH KIT (FRONT/REAR) (SN B200046827 to Present).....	274
FIGURE 4-35. PANEL INSTALLATION (ANSI, ANSI EXPORT, CHINESE, CSA AND KOREA SPECS).....	276
FIGURE 4-36. PANEL INSTALLATION (AUSTRALIAN, CE AND JAPANESE SPECS)	278
FIGURE 4-37. PIPE RACKS INSTALLATION (FACTORY INSTALLED)	280
FIGURE 4-38. PIPE RACK INSTALLATION (FACTORY INSTALLED)	282
FIGURE 4-39. QUIK WELDER INSTALLATION (2032ES)	284
FIGURE 4-40. QUIK WELDER INSTALLATION (2632ES)	286
FIGURE 4-41. QUIK WELDER READY INSTALLATION (2032ES).....	288
FIGURE 4-42. QUIK WELDER READY INSTALLATION (2632ES).....	290
SECTION 5 - CYLINDER	293
FIGURE 5-1. LIFT CYLINDER ASSEMBLY - 2032ES (TEXAS HYDRAULICS)	294
FIGURE 5-2. LIFT CYLINDER ASSEMBLY - 2032ES WITH STANDARD HYDRAULIC OIL (SERTA)	298
FIGURE 5-3. LIFT CYLINDER ASSEMBLY - 2032ES WITH STANDARD HYDRAULIC OIL (SH-PAC)	302
FIGURE 5-4. LIFT CYLINDER ASSEMBLY - 2032ES WITH BIODEGRADEABLE HYDRAULIC OIL (SERTA)	306
FIGURE 5-5. LIFT CYLINDER ASSEMBLY - 2032ES WITH BIODEGRADEABLE HYDRAULIC OIL (SH-PAC)	310
FIGURE 5-6. LIFT CYLINDER ASSEMBLY - 2632ES (TEXAS HYDRAULICS)	314
FIGURE 5-7. LIFT CYLINDER ASSEMBLY - 2632ES WITH STANDARD HYDRAULIC OIL (SERTA)	318
FIGURE 5-8. LIFT CYLINDER ASSEMBLY - 2632ES WITH STANDARD HYDRAULIC OIL (SH-PAC)	322
FIGURE 5-9. LIFT CYLINDER ASSEMBLY - 2632ES WITH BIODEGRADEABLE HYDRAULIC OIL (SERTA)	326
FIGURE 5-10. LIFT CYLINDER ASSEMBLY - 2632ES WITH BIODEGRADEABLE HYDRAULIC OIL (SH-PAC)	330
FIGURE 5-11. STEER CYLINDER ASSEMBLY (SERTA).....	334
FIGURE 5-12. STEER CYLINDER ASSEMBLY (SH-PAC)	336

TABLE OF CONTENTS

SECTION 6 - HYDRAULIC	339
FIGURE 6-1. HYDRAULIC DIAGRAM LIST	340
SECTION 7 - ELECTRICAL	341
FIGURE 7-1. ELECTRICAL DIAGRAM LIST	342
FIGURE 7-2. AC BOX AT PLATFORM INSTALLATION - 110V GFI	344
FIGURE 7-3. AC BOX AT PLATFORM INSTALLATION - 220V CEE7 SIDE GRD (ANSI EXPORT SPEC ONLY)	346
FIGURE 7-4. AC BOX AT PLATFORM INSTALLATION - 110V IEC YELLOW (CE SPEC ONLY)	348
FIGURE 7-5. AC BOX AT PLATFORM INSTALLATION - 220V IEC BLUE (CE SPEC ONLY)	350
FIGURE 7-6. AC BOX AT PLATFORM INSTALLATION - 220V AFSINT107 (CE SPEC ONLY)	352
FIGURE 7-7. AC BOX AT PLATFORM INSTALLATION - 220V CEE7 SIDE GRD (CE SPEC ONLY)	354
FIGURE 7-8. AC BOX AT PLATFORM INSTALLATION - 220V CEE7 POST GRD (CE SPEC ONLY)	356
FIGURE 7-9. AC BOX AT PLATFORM INSTALLATION - 220V (ANSI EXPORT AND CHINESE SPEC ONLY)	358
FIGURE 7-10. BATTERY CABLE KIT	360
FIGURE 7-11. BRAKE DISCONNECT HARNESS	362
FIGURE 7-12. BREAKER BOX KIT WITH TWO BREAKERS (CE SPEC ONLY)	364
FIGURE 7-13. BREAKER BOX KIT WITH THREE BREAKERS (CE SPEC ONLY)	366
FIGURE 7-14. CABLES INSTALLATION - 2032ES	368
FIGURE 7-15. CABLES INSTALLATION - 2032ES	370
FIGURE 7-16. CABLES INSTALLATION - 2032ES	372
FIGURE 7-17. CABLES INSTALLATION - 2032ES	374
FIGURE 7-18. CABLES INSTALLATION - 2032ES	376
FIGURE 7-19. CABLES INSTALLATION - 2032ES	378
FIGURE 7-20. CABLES INSTALLATION - 2632ES	380
FIGURE 7-21. CABLES INSTALLATION - 2632ES	382
FIGURE 7-22. CABLES INSTALLATION - 2632ES	384
FIGURE 7-23. CABLES INSTALLATION - 2632ES	386
FIGURE 7-24. CABLES INSTALLATION - 2632ES	388
FIGURE 7-25. CABLES INSTALLATION - 2632ES	390
FIGURE 7-26. CHARGER CORD PLUG INSTALLATION - 110V IEC YELLOW (CE SPEC ONLY)	392
FIGURE 7-27. CHARGER CORD PLUG INSTALLATION - 220V IEC BLUE (CE SPEC)	394
FIGURE 7-28. CHARGER CORD PLUG INSTALLATION - 220V AFSINT 107 (CE SPEC)	396
FIGURE 7-29. CHARGER CORD PLUG INSTALLATION - 220V CEE7 SIDE GROUND (CE SPEC)	398
FIGURE 7-30. CHARGER CORD PLUG INSTALLATION - 220V POST GROUND (CE SPEC)	400
FIGURE 7-31. CHARGER CORD PLUG INSTALLATION (KOREA SPEC)	402
FIGURE 7-32. CHASSIS HARNESS (SN 0200000100 to Present, SN B200000100 through B200061738, SN M200000100 to Present, SN 1200000100 to Present)	404
FIGURE 7-33. CHASSIS HARNESS (SN B200061739 to Present)	406
FIGURE 7-34. CHASSIS HARNESS - UL SPEC	408
FIGURE 7-35. CYLINDER HARNESS	410
FIGURE 7-36. DRIVE CABLE ASSEMBLY	412
FIGURE 7-37. DRIVE FIELD CONNECTION HARNESS	414
FIGURE 7-38. GROUND CONTROL BOX HARNESS (SN B200000100 through B200023311)	416
FIGURE 7-39. GROUND CONTROL BOX HARNESS (SN 0200000001 to Present, SN 1200025021 to Present, SN B200023312 to Present, SN M200000100 through M200039289)	418
FIGURE 7-40. GROUND CONTROL BOX HARNESS - NO LSS (SN 0200266380 to Present, SN B200042925 to Present, SN M200012165 through M200039289)	420
FIGURE 7-41. GROUND TO PLATFORM HARNESS - 2032ES	422
FIGURE 7-42. GROUND TO PLATFORM HARNESS - 2032ES	424
FIGURE 7-43. GROUND TO PLATFORM HARNESS - 2632ES	426
FIGURE 7-44. GROUND TO PLATFORM HARNESS - 2632ES	428
FIGURE 7-45. LOAD SENSE HARNESS WITHOUT FUSE (SN 0200000100 to Present, SN B200000100 through B200061738, SN M200000100 to Present, SN 1200000100 to Present)	430
FIGURE 7-46. LOAD SENSE HARNESS WITH FUSE (SN B200061739 to Present)	432
FIGURE 7-47. MDI (MULTIFUNCTION DIGITAL INDICATOR) HARNESS	434
FIGURE 7-48. PLATFORM BOX HARNESS	436
FIGURE 7-49. PLATFORM CABLE ASSEMBLY (SN 0200000100 through 0200262518, SN 1200025021 to Present, SN B200000100 to Present, SN M200000100 through M200010204)	438
FIGURE 7-50. PLATFORM CABLE ASSEMBLY (SN 0200262519 to Present, SN M20010205 through M200039289)	440
FIGURE 7-51. PUMP POWER CABLE ASSEMBLY	442
FIGURE 7-52. RECEPTACLE BOX KIT - 110V GFI	444
FIGURE 7-53. RECEPTACLE BOX KIT - 110V IEC YELLOW (CE SPEC)	446
FIGURE 7-54. RECEPTACLE BOX KIT - 220V IEC BLUE (CE SPEC)	448
FIGURE 7-55. RECEPTACLE BOX KIT - 220V AFSINT 107 (CE SPEC)	450
FIGURE 7-56. RECEPTACLE BOX KIT - 220V CEE7 SIDE GROUND (CE SPEC)	452

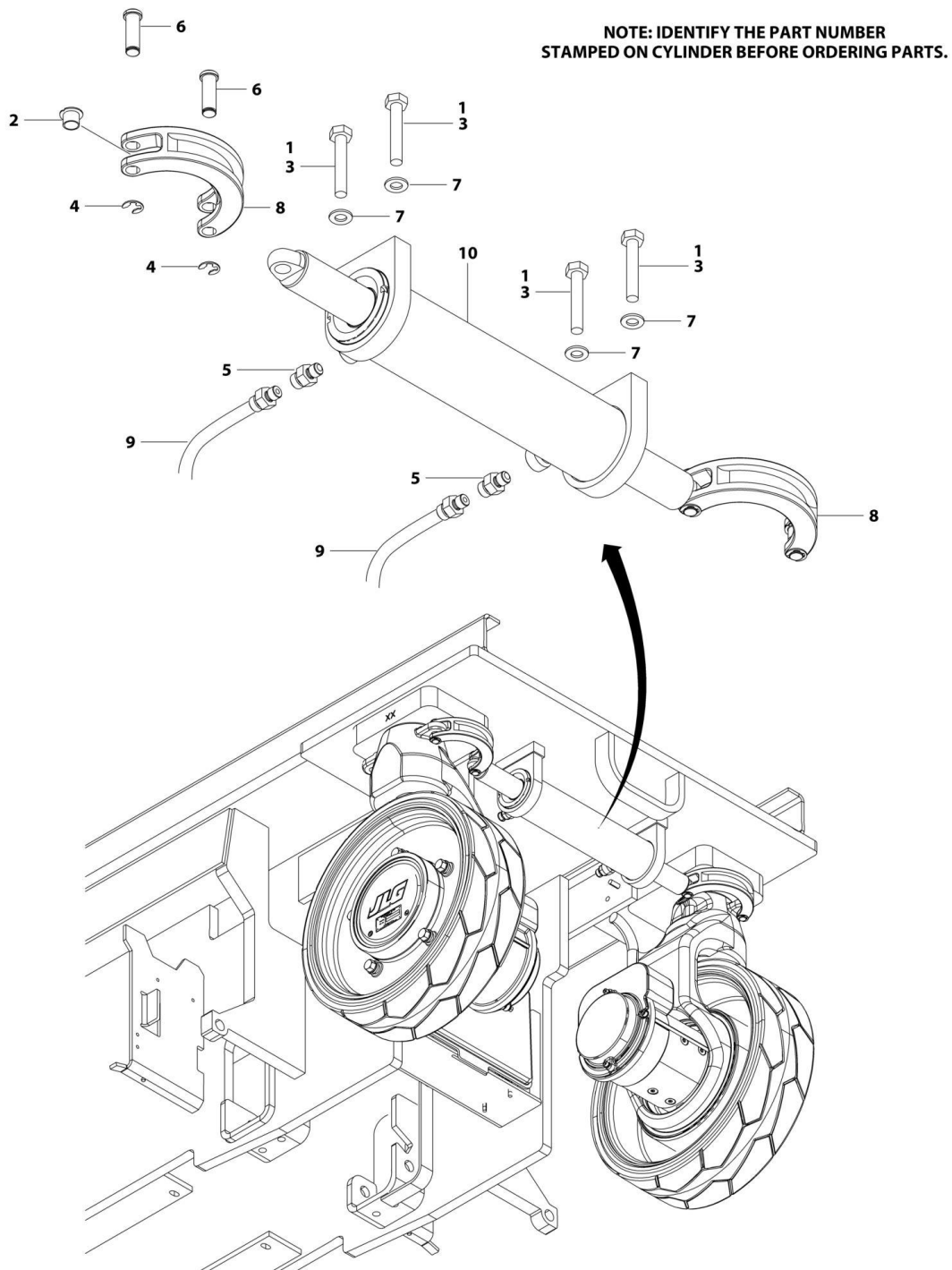
TABLE OF CONTENTS

FIGURE 7-57. RECEPTACLE BOX KIT - 220V CEE7 POST GROUND (CE SPEC)	454
FIGURE 7-58. WORKSTATION POWER HARNESS	456
SECTION 8 - DECALS	459
FIGURE 8-1. DECAL INSTALLATION - ANSI SPEC (ENGLISH)	460
FIGURE 8-2. DECAL INSTALLATION - AUSTRALIAN SPEC (ENGLISH)	462
FIGURE 8-3. DECAL INSTALLATION - BRAZIL SPEC (PORTUGUESE/SPANISH)	464
FIGURE 8-4. DECAL INSTALLATION - CE SPEC (ENGLISH)	466
FIGURE 8-5. DECAL INSTALLATION - CHINA SPEC (GB)	468
FIGURE 8-6. DECAL INSTALLATION - CHINESE SPEC (CHINESE/ENGLISH)	470
FIGURE 8-7. DECAL INSTALLATION - CSA SPEC (ENGLISH/FRENCH)	472
FIGURE 8-8. DECAL INSTALLATION - KOREAN SPEC (KOREAN/ENGLISH)	474
FIGURE 8-9. DECAL INSTALLATION - LATIN AMERICAN SPEC (ENGLISH/SPANISH)	476
FIGURE 8-10. DECAL INSTALLATION - OPTIONS	478
SECTION 9 - RECOMMENDED SERVICE PARTS STOCK	481
FIGURE 9-1. RECOMMENDED SERVICE PARTS STOCK	482
SECTION 10 - SPECIAL OPTIONS	483
FIGURE 10-1. SPECIAL OPTIONS	484
PART NUMBER INDEX	489

SECTION 1 - FRAME

SECTION 1 - FRAME

FIGURE 1-1. STEERING INSTALLATION (USA AND MEXICO BUILT MACHINES) (SN 0200000100 to Present, SN M200000100 through M200039289)



ART_1001177966

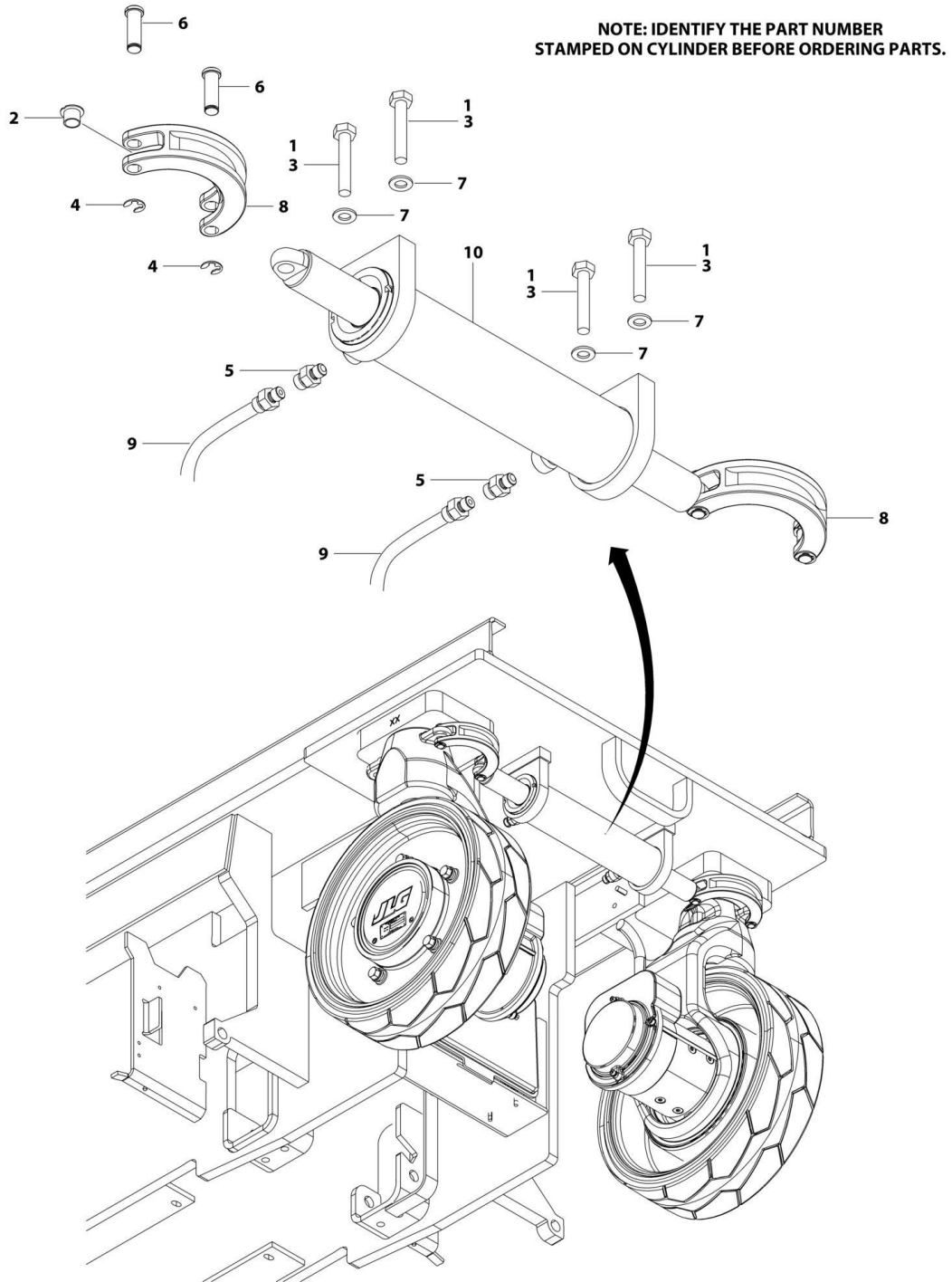
SECTION 1 - FRAME

FIGURE 1-1. STEERING INSTALLATION (USA AND MEXICO BUILT MACHINES) (SN 0200000100 to Present, SN M200000100 through M200039289)

ITEM	PART NUMBER	QTY	DESCRIPTION	REV
	1001177966	Ref	STEERING INSTALLATION (USA AND MEXICO BUILT MACHINES)	B
1	0100011	AR	Compound, Locking	
2	0440259	2	Bearing	
3	0701020	4	Bolt M10 x 60	
4	1380153	4	Clip	
5	2110404	2	Fitting, Straight ORFS/ORB	
6	3423037	4	Pin, Clevis	
7	4812000	4	Washer M10	
8	4846757	2	Lug, Steer	
9	1001113888	2	Hose	
10	1001177435	1	Steer Cylinder Assembly (See CYLINDER SECTION for Breakdown)	

SECTION 1 - FRAME

FIGURE 1-2. STEERING INSTALLATION (BELGIUM AND CHINA BUILT MACHINES)



ART_1001179448

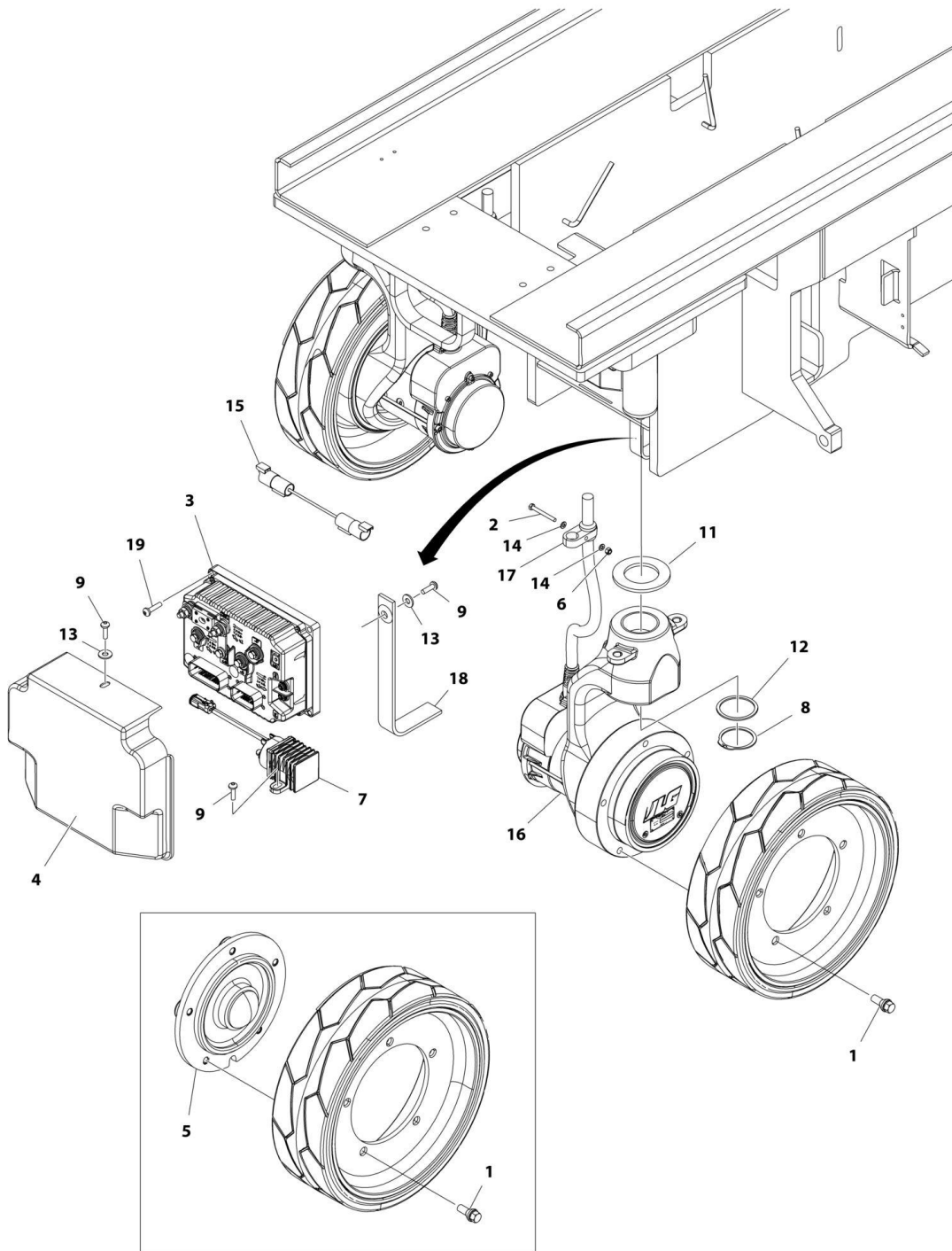
SECTION 1 - FRAME

FIGURE 1-2. STEERING INSTALLATION (BELGIUM AND CHINA BUILT MACHINES)

ITEM	PART NUMBER	QTY	DESCRIPTION	REV
	1001179448	Ref	STEERING INSTALLATION (BELGIUM AND CHINA BUILT MACHINES)	B
1	0100011	AR	Compound, Locking	
2	0440259	2	Bearing	
3	0701020	4	Bolt M10 x 60	
4	1380153	4	Clip	
5	2110404	2	Fitting, Straight ORFS/ORB	
6	3423037	4	Pin, Clevis	
7	4812000	4	Washer M10	
8	4846757	2	Lug, Steer	
9	1001113888	2	Hose	
10	1001179447	1	Steer Cylinder Assembly (See CYLINDER SECTION for Breakdown)	

SECTION 1 - FRAME

FIGURE 1-3. DRIVE HUB AND MODULE INSTALLATION



ART_100114882

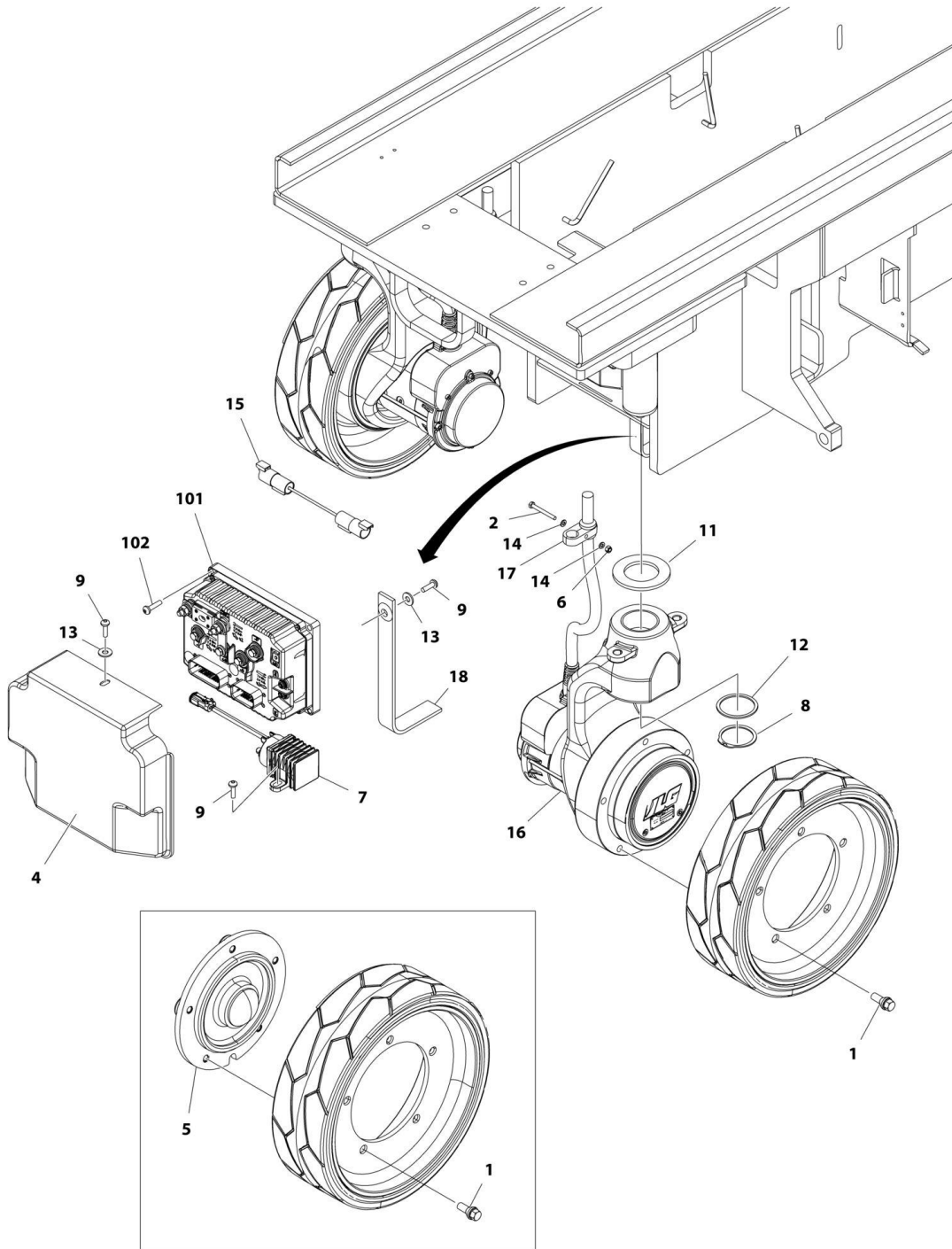
SECTION 1 - FRAME

FIGURE 1-3. DRIVE HUB AND MODULE INSTALLATION

ITEM	PART NUMBER	QTY	DESCRIPTION	REV
	1001114882	Ref	DRIVE HUB AND MODULE INSTALLATION	D
1	0630580	20	Bolt, Wheel	
2	0700619	2	Bolt M6 x 55	
3	1001092456	1	Module, Control	
4	1001115170	1	Cover	
5	2780266	2	Hub Assembly - Rear (See HUB ASSEMBLY - REAR for Breakdown)	
6	3290605	2	Nut M6	
7	3740150	1	Relay	
8	3760463	2	Ring, Retaining	
9	4191708	4	Screw M6 x 20	
11	4740524	2	Washer, Thrust	
12	4740564	2	Washer	
13	4751400	2	Washer 1/4	
14	4811700	4	Washer M6	
15	4923602	1	Harness, Field Wire Connection (See ELECTRICAL SECTION for Breakdown)	
16	1001092738	2	Drive Motor Assembly (See DRIVE MOTOR/HUB ASSEMBLY for Breakdown)	
17	1001094301	2	Clamp	
18	4240147	1	Strap, Anti-Static	
19	4191709	4	Screw M6 x 25	

SECTION 1 - FRAME

FIGURE 1-4. DRIVE HUB AND MODULE INSTALLATION (BELGIUM BUILT MACHINES ONLY)



ART_1001219123

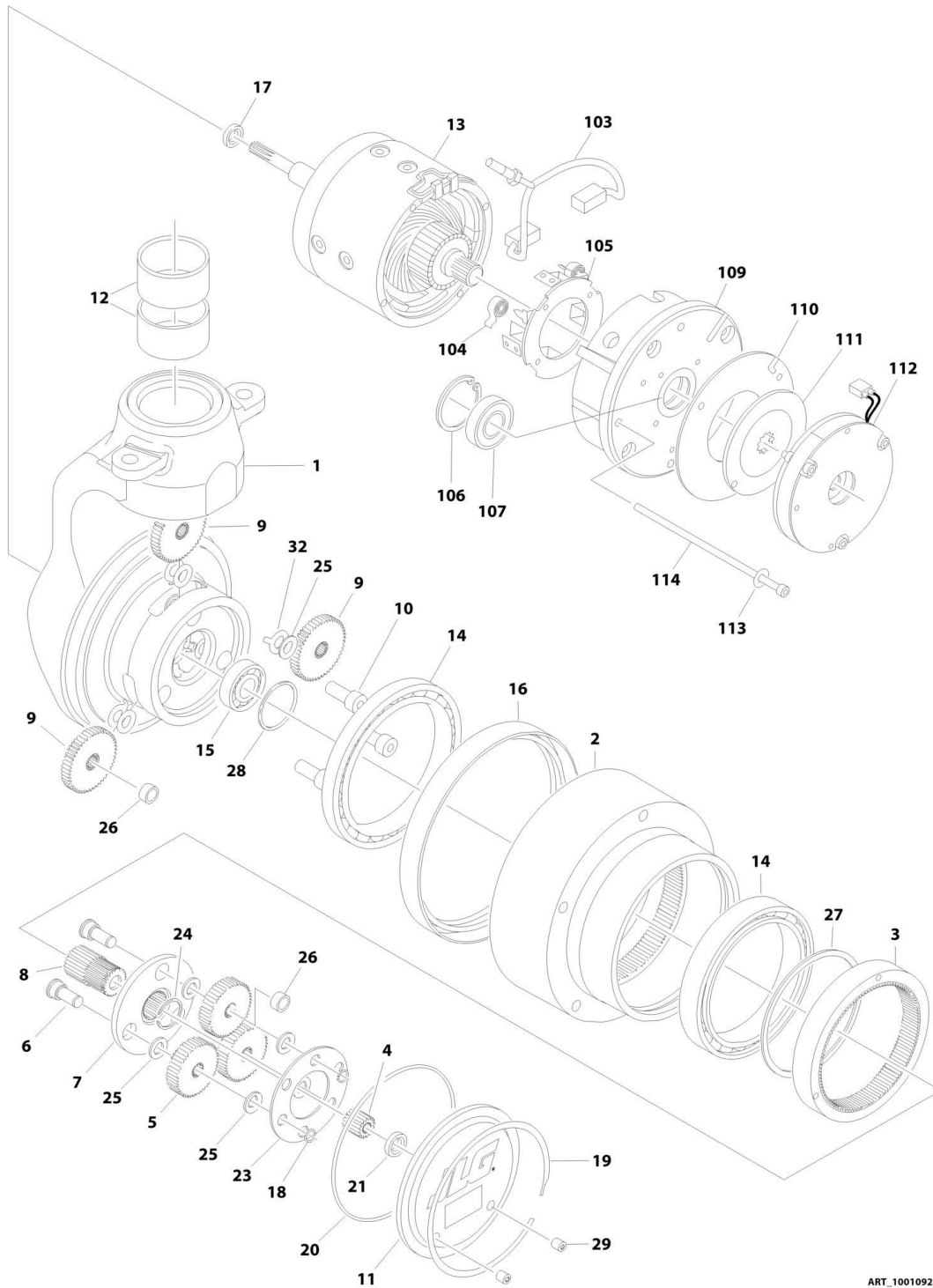
SECTION 1 - FRAME

FIGURE 1-4. DRIVE HUB AND MODULE INSTALLATION (BELGIUM BUILT MACHINES ONLY)

ITEM	PART NUMBER	QTY	DESCRIPTION	REV
	1001219123	Ref	DRIVE HUB AND MODULE INSTALLATION (BELGIUM BUILT MACHINES ONLY)	A
1	0630580	20	Bolt, Wheel	
2	0700619	2	Bolt M6 x 55	
4	1001115170	1	Cover	
5	2780266	2	Hub Assembly - Rear (See HUB ASSEMBLY - REAR for Breakdown)	
6	3290605	2	Nut M6	
7	3740150	1	Relay	
8	3760463	2	Ring, Retaining	
9	4191708	4	Screw M6 x 20	
11	4740524	2	Washer, Thrust	
12	4740564	2	Washer	
13	4751400	2	Washer 1/4	
14	4811700	4	Washer M6	
15	4923602	1	Harness, Field Wire Connection (See ELECTRICAL SECTION for Breakdown)	
16	1001092738	2	Drive Motor Assembly (See DRIVE MOTOR/HUB ASSEMBLY for Breakdown)	
17	1001094301	2	Clamp	
18	4240147	1	Strap, Anti-Static	
		Ref	ADDITIONAL COMPONENTS ORDERED SEPARATE	
101	1001092456	1	Module, Control	
102	4191709	4	Screw M6 x 25	

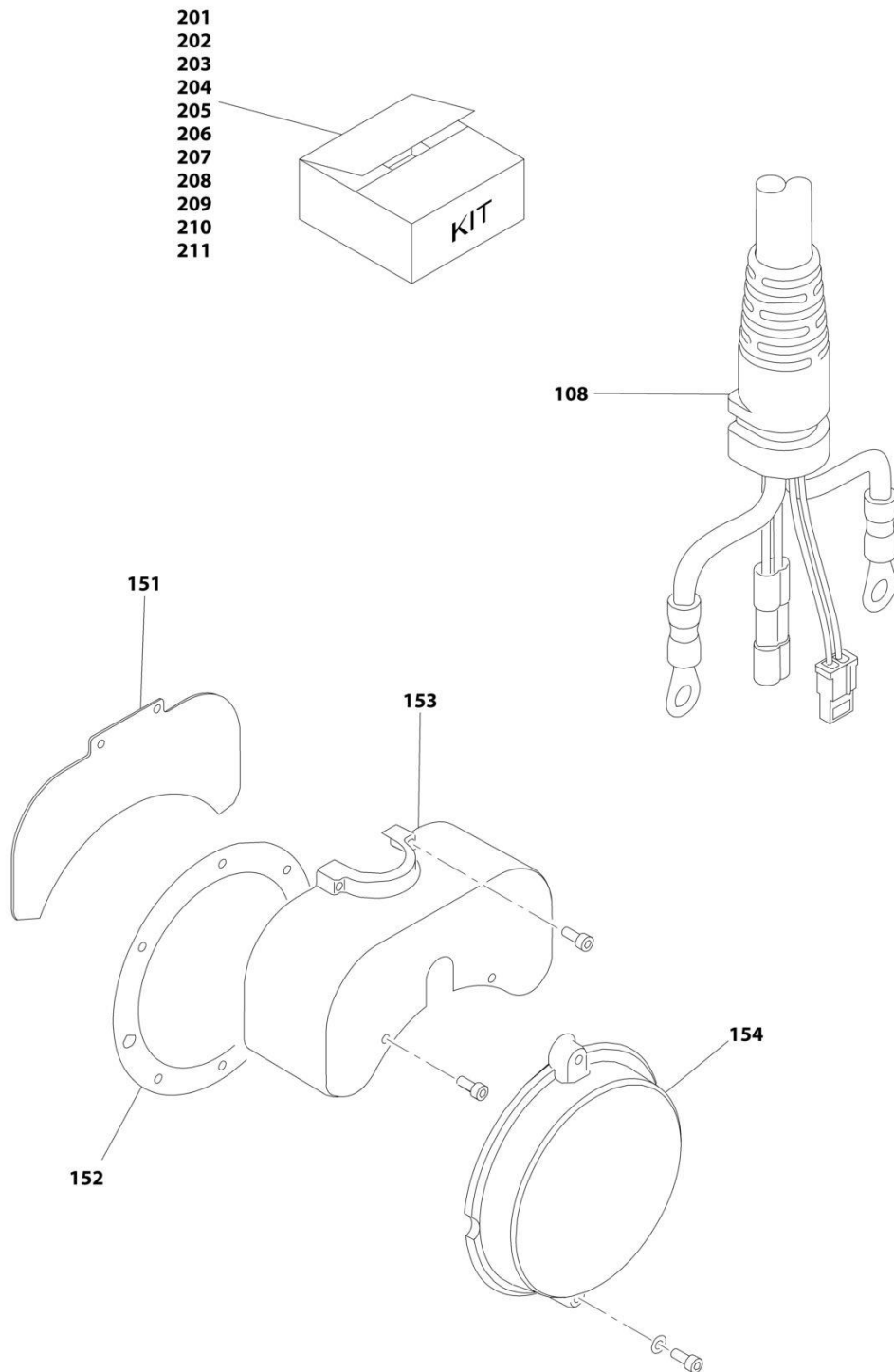
SECTION 1 - FRAME

FIGURE 1-5. DRIVE MOTOR/HUB ASSEMBLY



ART_1001092738_10F2

SECTION 1 - FRAME



ART_1001092738_20F2

SECTION 1 - FRAME

FIGURE 1-5. DRIVE MOTOR/HUB ASSEMBLY

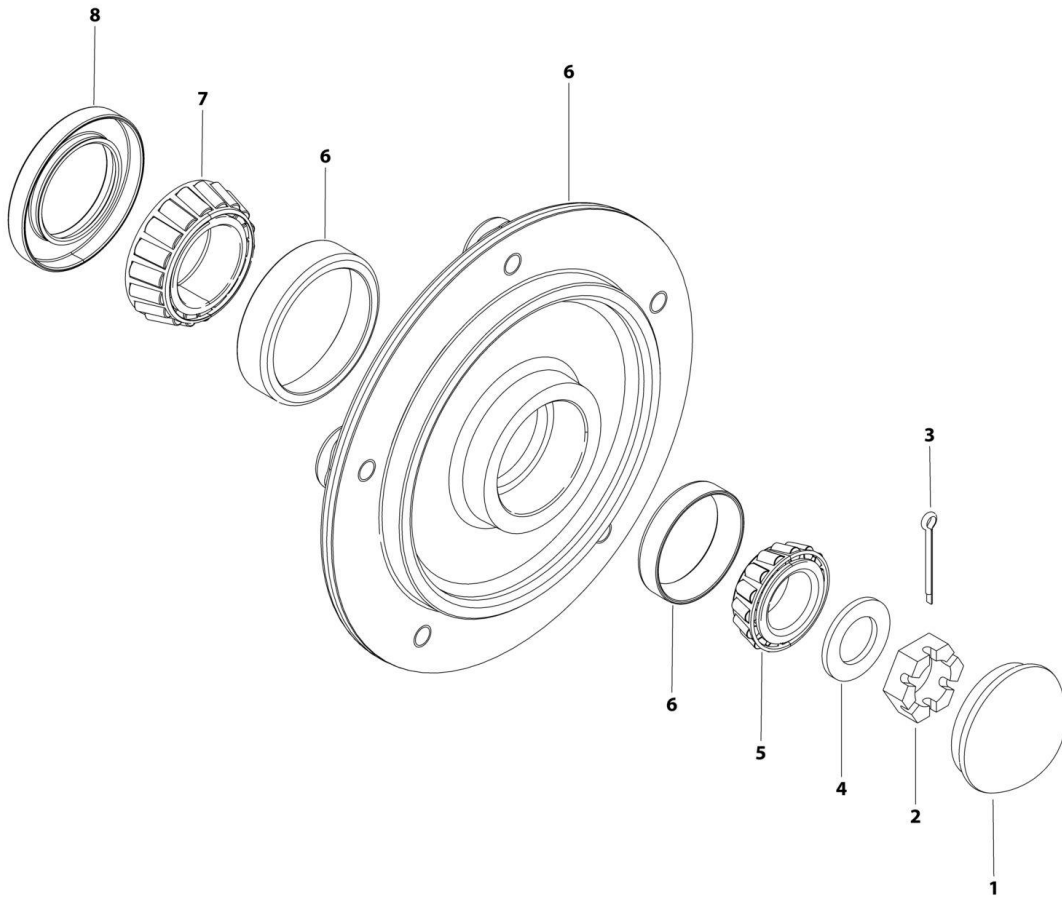
ITEM	PART NUMBER	QTY	DESCRIPTION	REV
	1001092738	Ref	DRIVE MOTOR/HUB ASSEMBLY	K
		Ref	HUB ASSEMBLY	
1	See Note	NSS	Spindle (Note: Purchase Complete Assembly)	
2	See Note	NSS	Hub (Note: Use Item 206)	
3	See Note	NSS	Ring, Input (Note: Use Item 204)	
4	See Note	NSS	Gear, Input Sun (Note: Use Item 203)	
5	See Note	NSS	Gear, Input Planet (Note: Use Item 203)	
6	See Note	NSS	Pin, Planet Gear (Note: Use Item 203)	
7	See Note	NSS	Carrier (Note: Use Item 203)	
8	See Note	NSS	Gear, Output Sun (Note: Use Item 203)	
9	See Note	NSS	Gear, Output Planet (Note: Use Item 207)	
10	See Note	NSS	Pin, Output Planet (Note: Use Item 207)	
11	See Note	NSS	Cover (Note: Use Item 201)	
12	7024757	1	Bushing Kit, Kingpin (Includes 2 Bushings)	
13	See Note	NSS	Motor, Electric (Note: Use Item 205)	
14	See Note	NSS	Bearing, Main (Note: Use Item 202, 204, 206 or 207)	
15	See Note	NSS	Bearing, Shaft (Note: Use Item 207)	
16	70001739	1	Seal, Lip	
17	7024786	1	Seal, Lip	
18	See Note	NSS	Ring, Retaining (Note: Use Item 203)	
19	See Note	NSS	Ring, Retaining (Note: Use Item 201)	
20	70000191	1	O-Ring	
21	See Note	NSS	Washer, Thrust (Note: Use Item 201)	
23	See Note	NSS	Plate, Thrust (Note: Item 203)	
24	See Note	NSS	Ring, Retaining (Note: Use Item 203)	
25	See Note	NSS	Washer, Thrust (Note: Use Item 203 or 207)	
26	See Note	NSS	Bushing (Note: Use Item 203 or 207)	
27	See Note	NSS	Ring, Retaining (Note: Use Item 204, 206 or 207)	
28	See Note	NSS	Ring, Retaining (Note: Use Item 207)	
29	See Note	NSS	Plug (Note: Use Item 201)	
32	See Note	NSS	Washer, Tanged (Note: Use Item 207)	
		Ref	BRAKE AND MOTOR COMPONENTS	
103	See Note	NSS	Brush and Terminal Assembly (Note: Use Item 208)	
104	70000790	2	Spring, Brush	
105	70000791	1	Box, Brush	
106	See Note	NSS	Ring, Retaining (Note: Use Item 208)	
107	See Note	NSS	Bearing (Note: Use Item 208)	
108	1001132439	1	Harness, Drive Motor (See ELECTRICAL SECTION for Breakdown)	
109	70000792	1	Commutator	
110	See Note	NSS	Disc, Reaction (Note: Use Item 209)	
111	7024785	1	Disc, Friction	
112	See Note	NSS	Brake Assembly (Note: Use Item 209)	
113	See Note	NSS	Washer (Note: Use Item 210)	
114	See Note	NSS	Bolt (Note: Use Item 210)	
151	See Note	NSS	Plate, Cover (Note: Use Item 211)	
152	70001949	1	Gasket, Cover	
153	70006426	1	Cover, Top	
154	See Note	NSS	Cover, End (Note: Use Item 211)	
		Ref	KIT OPTIONS	

SECTION 1 - FRAME

ITEM	PART NUMBER	QTY	DESCRIPTION	REV
201	7024747	1	Cover Kit (Includes Items 11, 19, 20, 21 & 29)	
202	7024748	1	Main Seal Kit (Includes Qty 1 of Items 14, 16 & 20)	
203	7024749	1	Input Carrier Kit (Includes Items 4-8, 18, 20 & 23-26)	
204	7024758	1	Input Ring Kit (Includes Items 3, 20, 27 & Qty 1 of Item 14)	
205	70001345	1	Motor Kit (Includes Items 13,17,103-114, 151, 152 & 154)	
206	7024756	1	Hub Kit (Includes Items 2, 16, 20, 27 & Qty 1 of Item 14)	
207	7024750	1	Output Planet Kit (Includes Items 9, 10, 15, 20, 25-28, 32 & Qty 1 of Item 14)	
208	7024771	1	Motor Brush and Bearing Kit (Includes Items 103, 106 & 107)	
209	7024772	1	Brake Kit (Includes Items 110, 111 & 112)	
211	70001265	1	Brake Cover Kit (Includes Items 151, 152 & 154)	

SECTION 1 - FRAME

FIGURE 1-6. HUB ASSEMBLY - REAR



ART_2780266

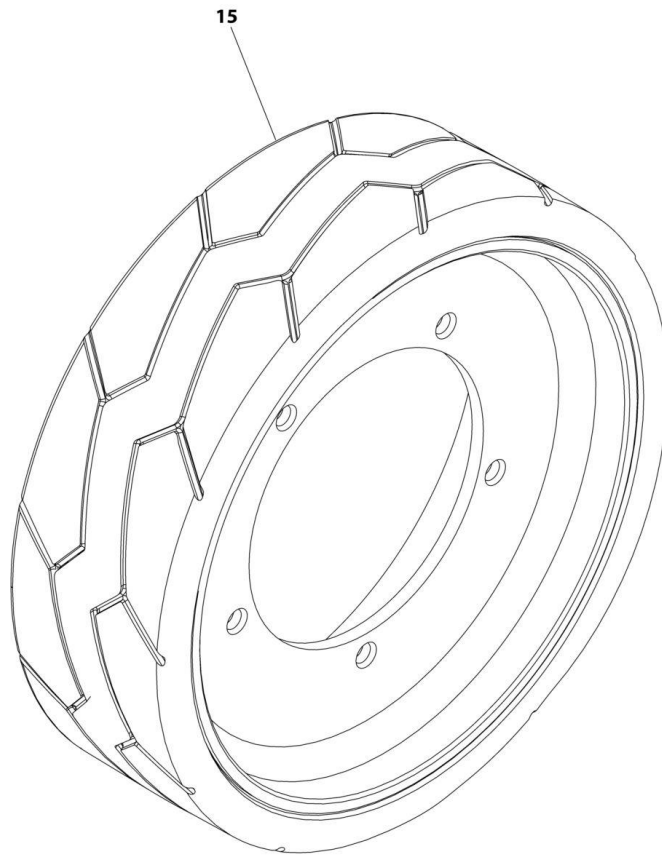
SECTION 1 - FRAME

FIGURE 1-6. HUB ASSEMBLY - REAR

ITEM	PART NUMBER	QTY	DESCRIPTION	REV
	2780266	Ref	HUB ASSEMBLY	D
1	1001102354	1	Cap, Dust (was p/n 7012524)	
2	3300423	1	Nut, Slotted (was p/n 7010641)	
3	3450406	1	Pin, Cotter 2 x 3/16 (was p/n 7010642)	
4	4740468	1	Washer (was p/n 7019697)	
5	1001102351	1	Bearing, Cone - Outer (was p/n 7026185)	
6	See Note	NSS	Hub (Note: Purchase Complete Assembly p/n 2780266)	
7	1001102353	1	Bearing, Cone - Inner (was p/n 7026183)	
8	1001102349	1	Seal (was p/n 7026184)	

SECTION 1 - FRAME

FIGURE 1-7. TIRE AND WHEEL ASSEMBLY



ART_1001114466

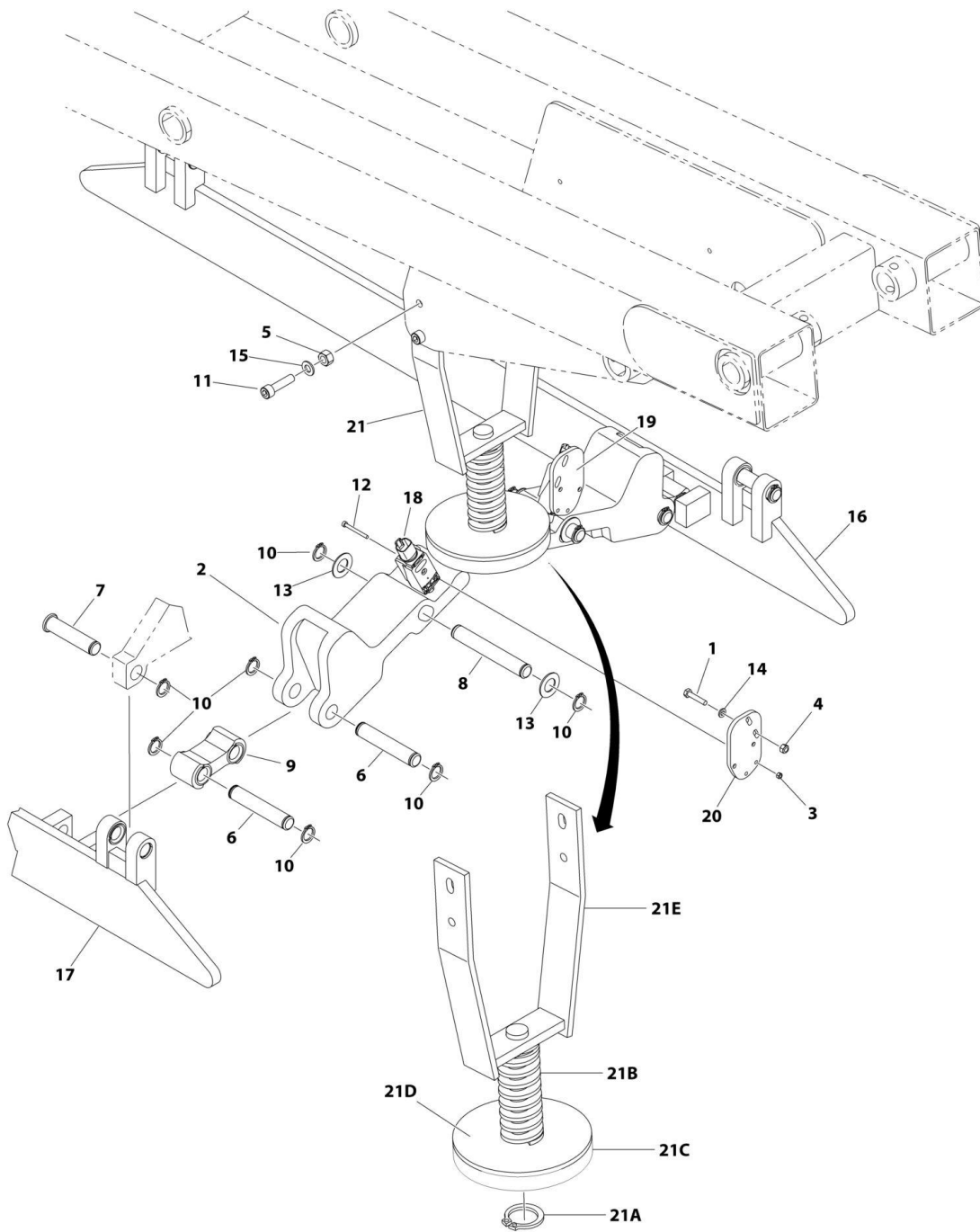
SECTION 1 - FRAME

FIGURE 1-7. TIRE AND WHEEL ASSEMBLY

ITEM	PART NUMBER	QTY	DESCRIPTION	REV
15	1001114466	Ref	TIRE AND WHEEL ASSEMBLY	
		Ref	NOTE: MUST REPLACE TIRE AND WHEEL ASSEMBLIES IN PAIRS PER AXLE.	
		4	Tire and Wheel Assembly - Non-Marking	
		4	Tire and Wheel Kit (Includes Tire, Wheel and Bolts)	

SECTION 1 - FRAME

FIGURE 1-8. POTHOLE PROTECTION INSTALLATION - NON-UL



ART_1001178234

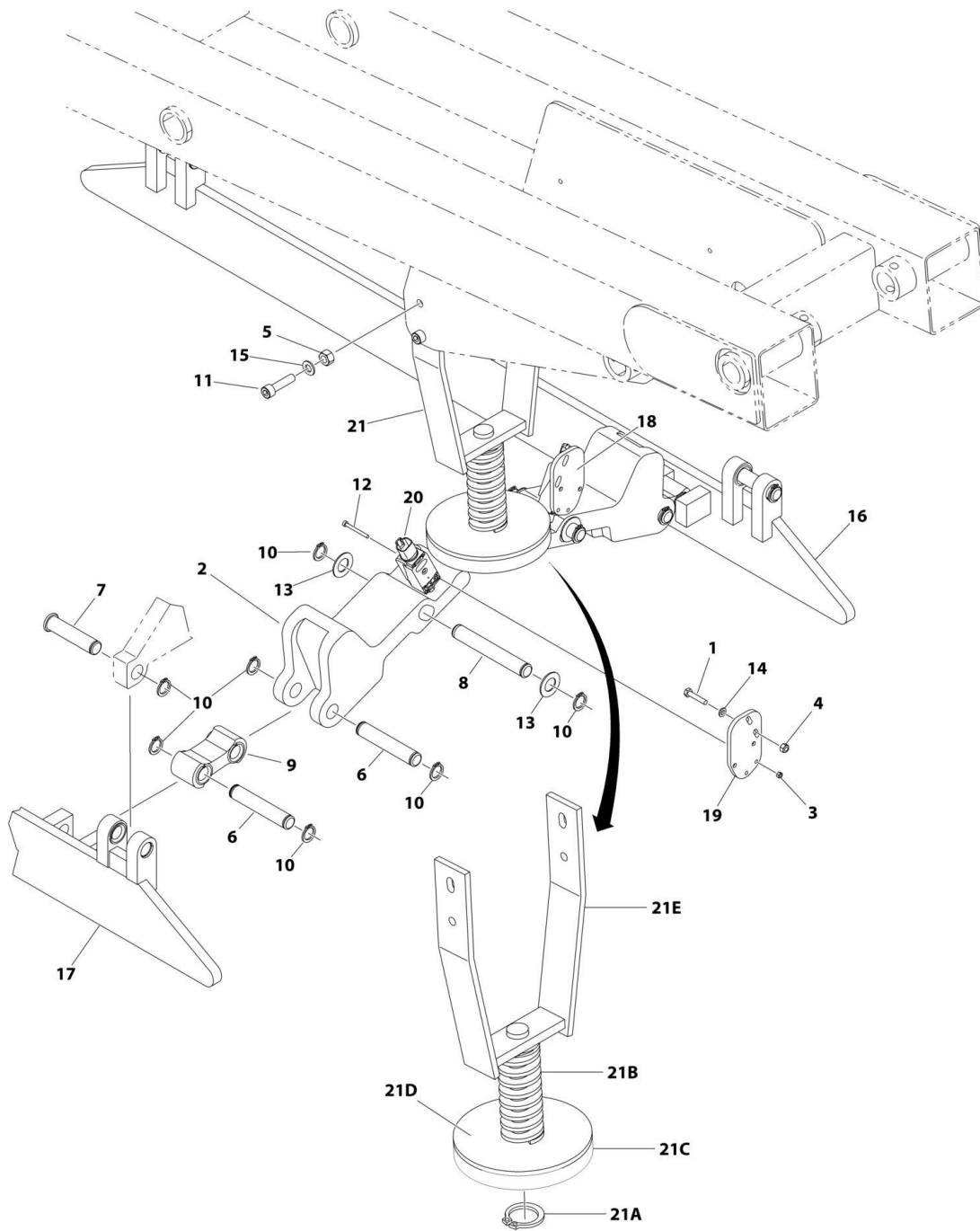
SECTION 1 - FRAME

FIGURE 1-8. POTHOLE PROTECTION INSTALLATION - NON-UL

ITEM	PART NUMBER	QTY	DESCRIPTION	REV
	1001178234	Ref	POTHOLE PROTECTION INSTALLATION - NON-UL	D
1	0700614	4	Bolt M6 x 30	
2	3010158	2	Link	
3	3290405	4	Nut M4	
4	3290605	4	Nut M6	
5	3291005	4	Nut M10	
6	3423045	4	Pin, Pivot	
7	3423189	4	Pin, Pivot	
8	3423267	2	Pin	
9	3574176	2	Plate, Link	
10	3760348	16	Ring, Retaining	
11	5272012	4	Capscrew M10 x 40	
11	3900357	4	Screw M10 x 30	
12	4031512	4	Capscrew M4 x 40	
13	4740086	4	Washer, Thrust	
14	4811700	4	Washer M6	
15	4812000	4	Washer M10	
16	4846816	1	Support (RH)	
17	4846863	1	Support (LH)	
18	1001109088	2	Switch, Limit	
19	1001109232	1	Plate, Mounting	
20	1001109233	1	Plate, Mounting	
21	1001178239	1	Actuator Assembly (Includes Items 21A-21E)	D
21A	3760115	1	Ring, Retaining	
21B	4160202	1	Spring	
21C	1001178146	1	Pad	
21D	1001178147	1	Plate	
21E	0060091	1	Bracket, Actuator	

SECTION 1 - FRAME

FIGURE 1-9. POTHOLE PROTECTION INSTALLATION - UL



ART_1001178357

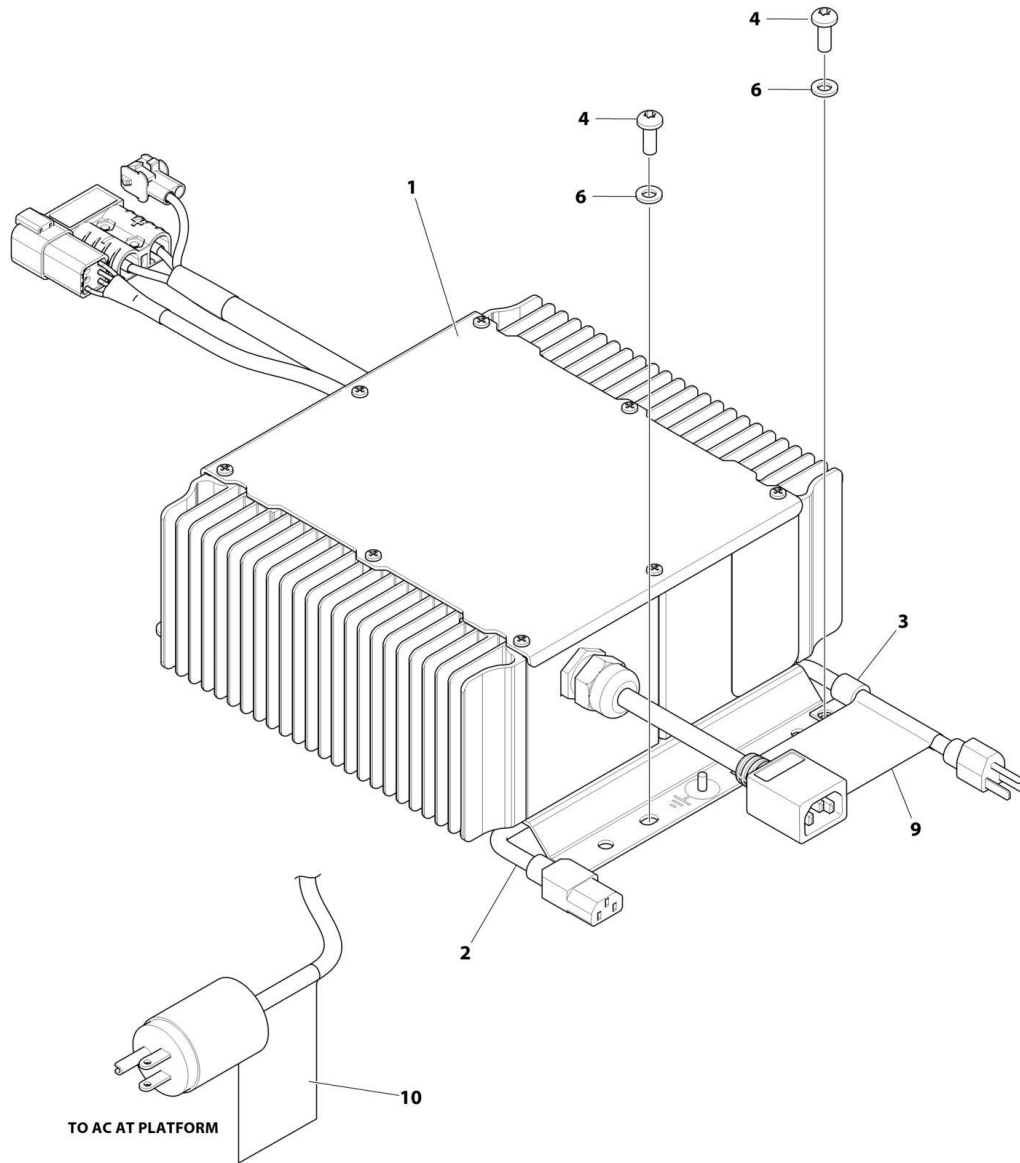
SECTION 1 - FRAME

FIGURE 1-9. POTHOLE PROTECTION INSTALLATION - UL

ITEM	PART NUMBER	QTY	DESCRIPTION	REV
	1001178357	Ref	POTHOLE PROTECTION INSTALLATION - UL	C
1	0700614	4	Bolt M6 x 30	
2	3010158	2	Link	
3	3290405	4	Nut M4	
4	3290605	4	Nut M6	
5	3291005	4	Nut M10	
6	3423045	4	Pin, Pivot	
7	3423189	4	Pin, Pivot	
8	3423267	2	Pin	
9	3574176	2	Plate, Link	
10	3760348	16	Ring, Retaining	
11	5272012	4	Capscrew M10 x 40	
12	4031512	4	Capscrew M4 x 40	
13	4740086	4	Washer, Thrust	
14	4811700	4	Washer M6	
15	4812000	4	Washer M10	
16	4846816	1	Support (RH)	
17	4846863	1	Support (LH)	
18	1001109232	1	Plate, Mounting	
19	1001109233	1	Plate, Mounting	
20	1001126905	2	Switch, Limit	
20	4460535	2	Receptacle, Female - 4 Position (1 per Switch)	
20	4460464	8	Pin, Male (4 per Switch)	
21	1001178239	1	Actuator Assembly (Includes Items 21A-21E)	D
21A	3760115	1	Ring, Retaining	
21B	4160202	1	Spring	
21C	1001178146	1	Pad	
21D	1001178147	1	Plate	
21E	0060091	1	Bracket, Actuator	

SECTION 1 - FRAME

FIGURE 1-10. BATTERY CHARGER INSTALLATION WITH 110V PLUG AND DELTA-Q CHARGER
(ANSI, ANSI EXPORT, CSA, JAPANESE AND UL SPECS)



ART_0272874

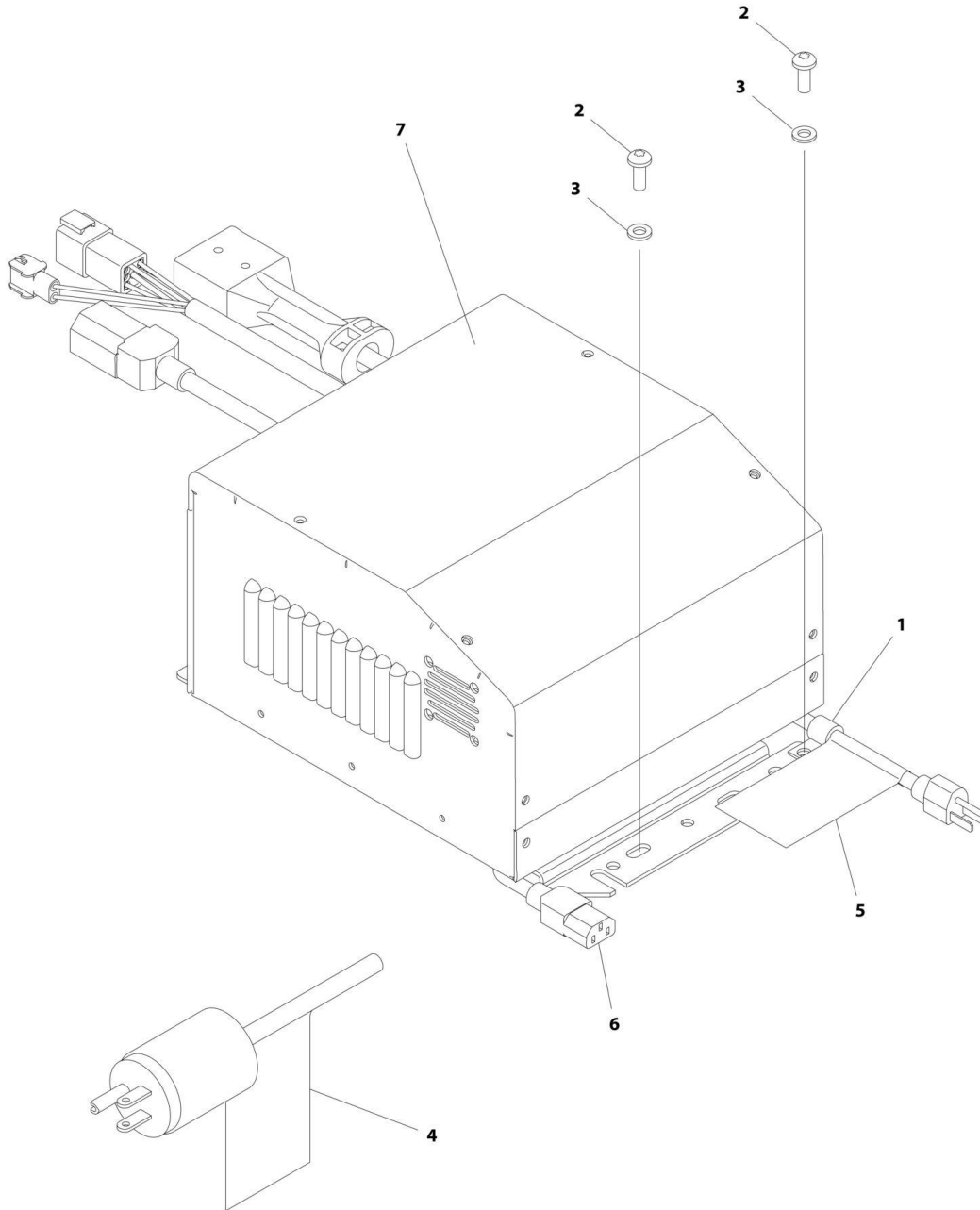
SECTION 1 - FRAME

**FIGURE 1-10. BATTERY CHARGER INSTALLATION WITH 110V PLUG AND DELTA-Q CHARGER
(ANSI, ANSI EXPORT, CSA, JAPANESE AND UL SPECS)**

ITEM	PART NUMBER	QTY	DESCRIPTION	REV
	0272874	Ref	BATTERY CHARGER INSTALLATION WITH 110V PLUG AND DELTA-Q CHARGER (ANSI, ANSI EXPORT, CSA, JAPANESE AND UL SPECS)	N
1	1001112111	1	Battery Charger Assembly (See BATTERY CHARGER ASSEMBLY - DELTA-Q for Breakdown)	
2	1001103257	1	Cable, Charger (AC Input)	
3	1321293	1	Clamp	
4	4191707	2	Screw M6 x 16	
6	4811700	2	Washer M6	
9	1001102489	1	Decal - Charger Plug (SN 0200000100 through 0200257822, SN B200020297 to Present, SN M200000100 through M200002934)	
9	1001215870	1	Decal - Charger Plug (SN 0200257823 to Present, SN M200002935 through M200039289)	
10	1001102258	1	Decal - AC to Platform	
11	1001112113	1	Sensor, Temperature (Not Shown - Located on Negative Battery Terminal) (SN 0200266434 to Present, SN B200045242 to Present, SN M200014371 through M200039289)	

SECTION 1 - FRAME

FIGURE 1-11. BATTERY CHARGER INSTALLATION WITH 110V PLUG AND EAGLE PERFORMANCE CHARGER (ANSI AND CSA SPECS)



ART_1001179428

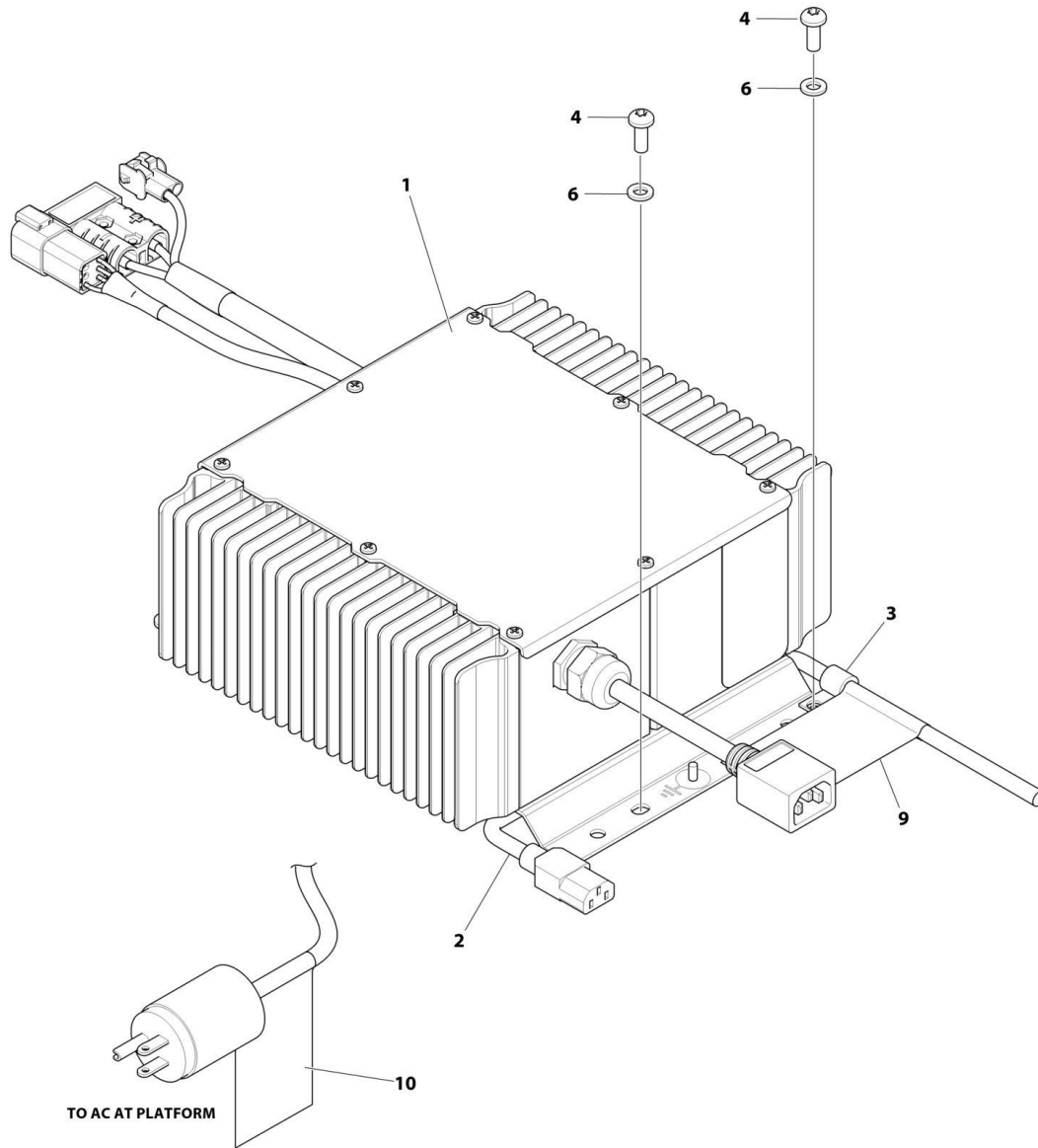
SECTION 1 - FRAME

FIGURE 1-11. BATTERY CHARGER INSTALLATION WITH 110V PLUG AND EAGLE PERFORMANCE CHARGER (ANSI AND CSA SPECS)

ITEM	PART NUMBER	QTY	DESCRIPTION	REV
	1001179428	Ref	BATTERY CHARGER INSTALLATION WITH 110V PLUG AND EAGLE PERFORMANCE CHARGER (ANSI AND CSA SPECS)	A
1	1321293	1	Clamp	
2	4191707	2	Screw M6 x 16	
3	4811700	2	Washer M6	
4	1001102258	1	Decal - AC to Platform	
5	1001102489	1	Decal - Charger Plug	
6	1001103257	1	Cable, Charger (AC Input)	
7	1001177842	1	Battery Charger Assembly (See BATTERY CHARGER ASSEMBLY - EAGLE PERFORMANCE for Breakdown)	

SECTION 1 - FRAME

FIGURE 1-12. BATTERY CHARGER INSTALLATION WITH LOCALLY SUPPLIED PLUG AND DELTA-Q CHARGER (ANSI, ANSI EXPORT, CSA AND CE SPECS)



ART_0272875

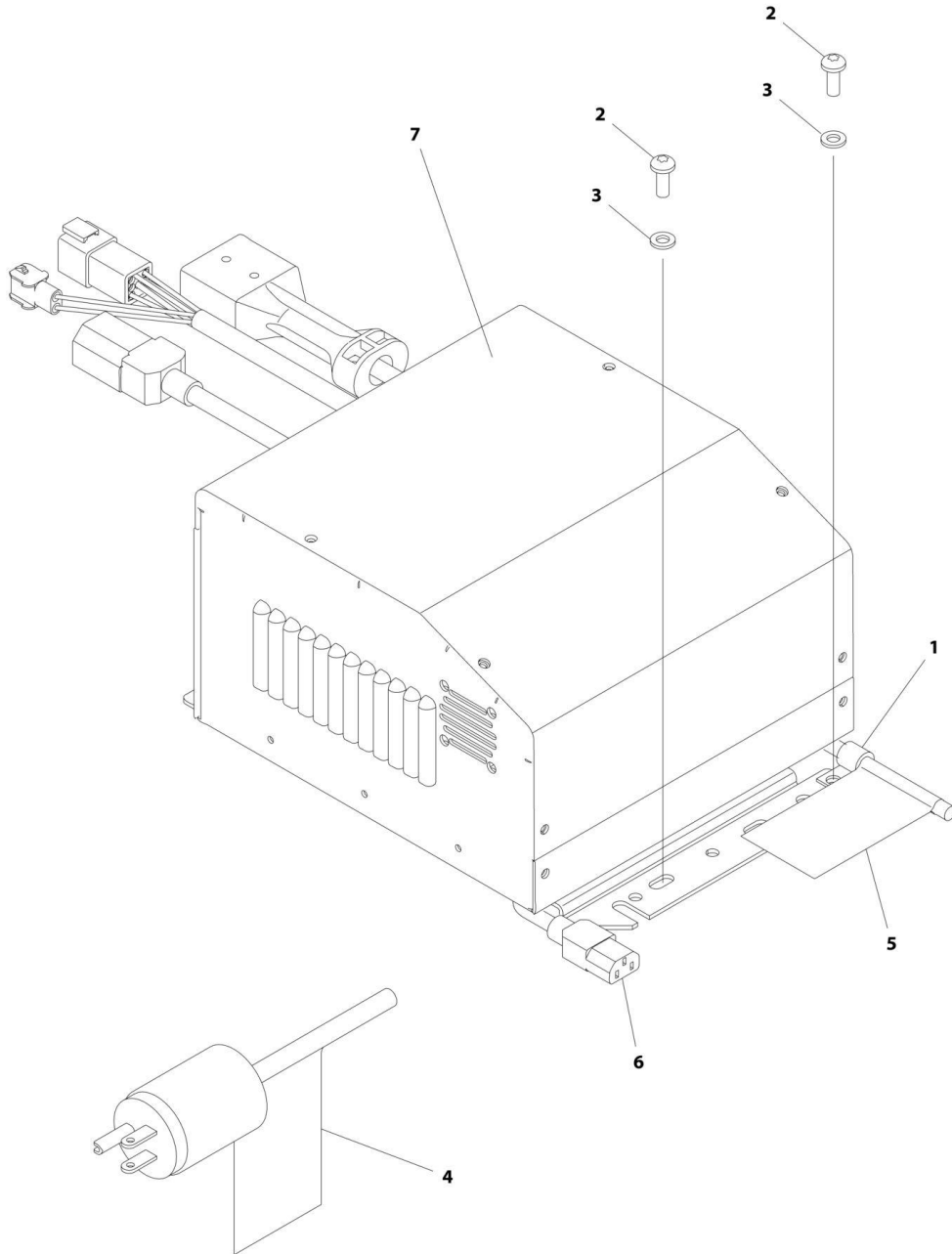
SECTION 1 - FRAME

FIGURE 1-12. BATTERY CHARGER INSTALLATION WITH LOCALLY SUPPLIED PLUG AND DELTA-Q CHARGER (ANSI, ANSI EXPORT, CSA AND CE SPECS)

ITEM	PART NUMBER	QTY	DESCRIPTION	REV
	0272875	Ref	BATTERY CHARGER INSTALLATION WITH LOCALLY SUPPLIED PLUG AND DELTA-Q CHARGER (ANSI, ANSI EXPORT, CSA AND CE SPECS)	N
1	1001112111	1	Battery Charger Assembly (See BATTERY CHARGER ASSEMBLY - DELTA-Q for Breakdown)	
2	1001103258	1	Cable, Charger (AC Input)	
3	1320136	1	Clamp (USA Built Machines)	
3	1321293	1	Clamp	
4	4191707	2	Screw M6 x 16	
6	4811700	2	Washer M6	
9	1001102489	1	Decal - Charger Plug (SN 0200000100 through 0200257822, SN B200000100 to Present, SN M200000100 through M200002934)	
9	1001215870	1	Decal - Charger Plug (SN 0200257823 to Present, SN 1200025021 to Present, SN M200002935 through M200039289)	
10	1001102258	1	Decal - AC to Platform	
11	1001112113	1	Sensor, Temperature (Not Shown - Located on Negative Battery Terminal) (SN 0200266434 to Present, SN 1200027658 to Present, SN B200045242 to Present, SN M200014371 through M200039289)	

SECTION 1 - FRAME

FIGURE 1-13. BATTERY CHARGER INSTALLATION WITH LOCALLY SUPPLIED PLUG AND EAGLE PERFORMANCE CHARGER (ANSI AND CSA SPECS)



ART_1001180312

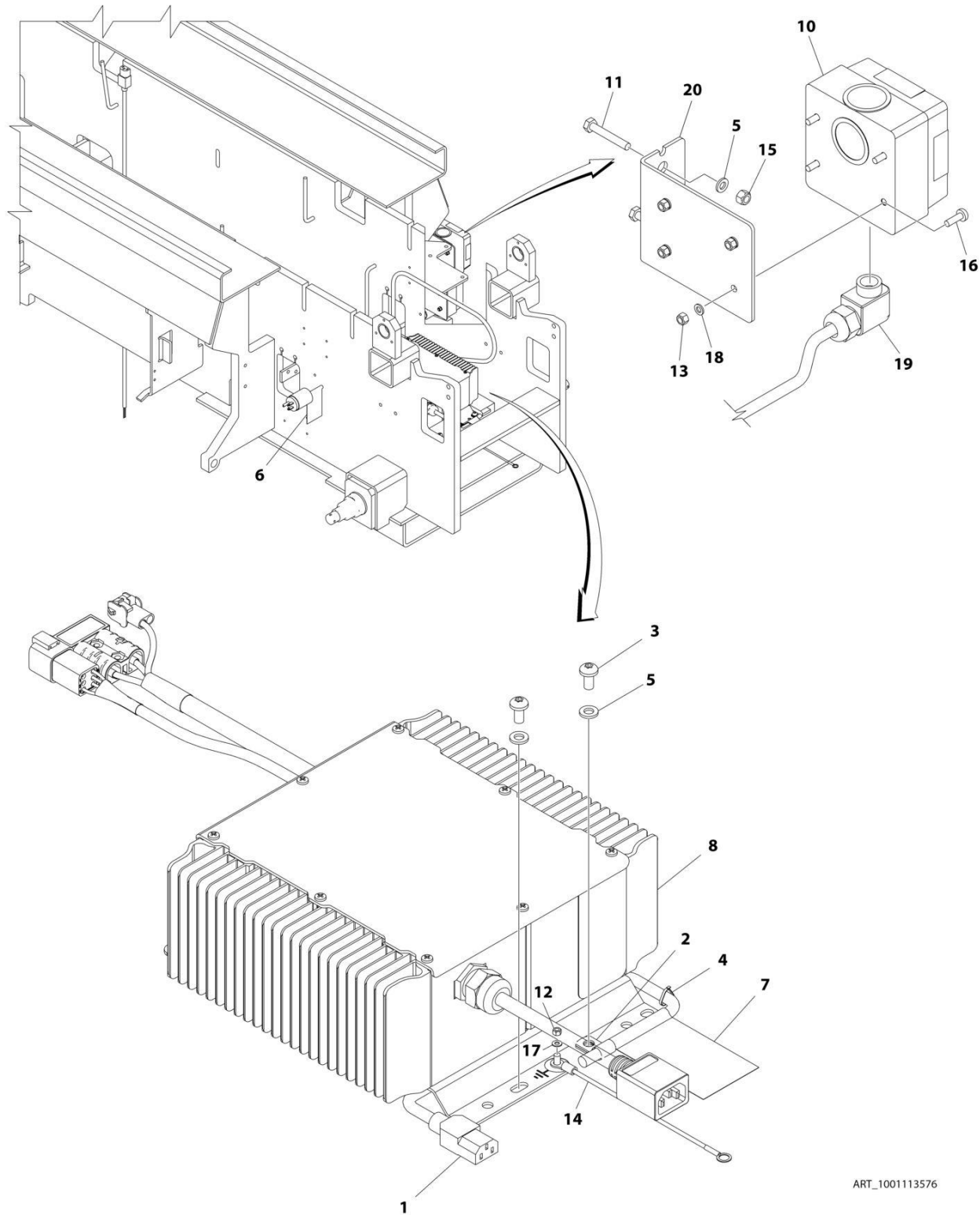
SECTION 1 - FRAME

FIGURE 1-13. BATTERY CHARGER INSTALLATION WITH LOCALLY SUPPLIED PLUG AND EAGLE PERFORMANCE CHARGER (ANSI AND CSA SPECS)

ITEM	PART NUMBER	QTY	DESCRIPTION	REV
	1001180312	Ref	BATTERY CHARGER INSTALLATION WITH LOCALLY SUPPLIED PLUG AND EAGLE PERFORMANCE CHARGER (ANSI AND CSA SPECS)	A
1	1320136	1	Clamp	
2	4191707	2	Screw M6 x 16	
3	4811700	2	Washer M6	
4	1001102258	1	Decal - AC to Platform	
5	1001102489	1	Decal - Charger Plug	
6	1001103258	1	Cable, Charger (AC Input)	
7	1001177842	1	Battery Charger Assembly (See BATTERY CHARGER ASSEMBLY - EAGLE PERFORMANCE for Breakdown)	

SECTION 1 - FRAME

FIGURE 1-14. BATTERY CHARGER INSTALLATION WITH LOCALLY SUPPLIED PLUG (AUSTRALIAN SPEC) (SN 0200000100 to Present, SN B200000100 through B200061738, SN M200000100 to Present, SN 1200000100 to Present)



ART_1001113576

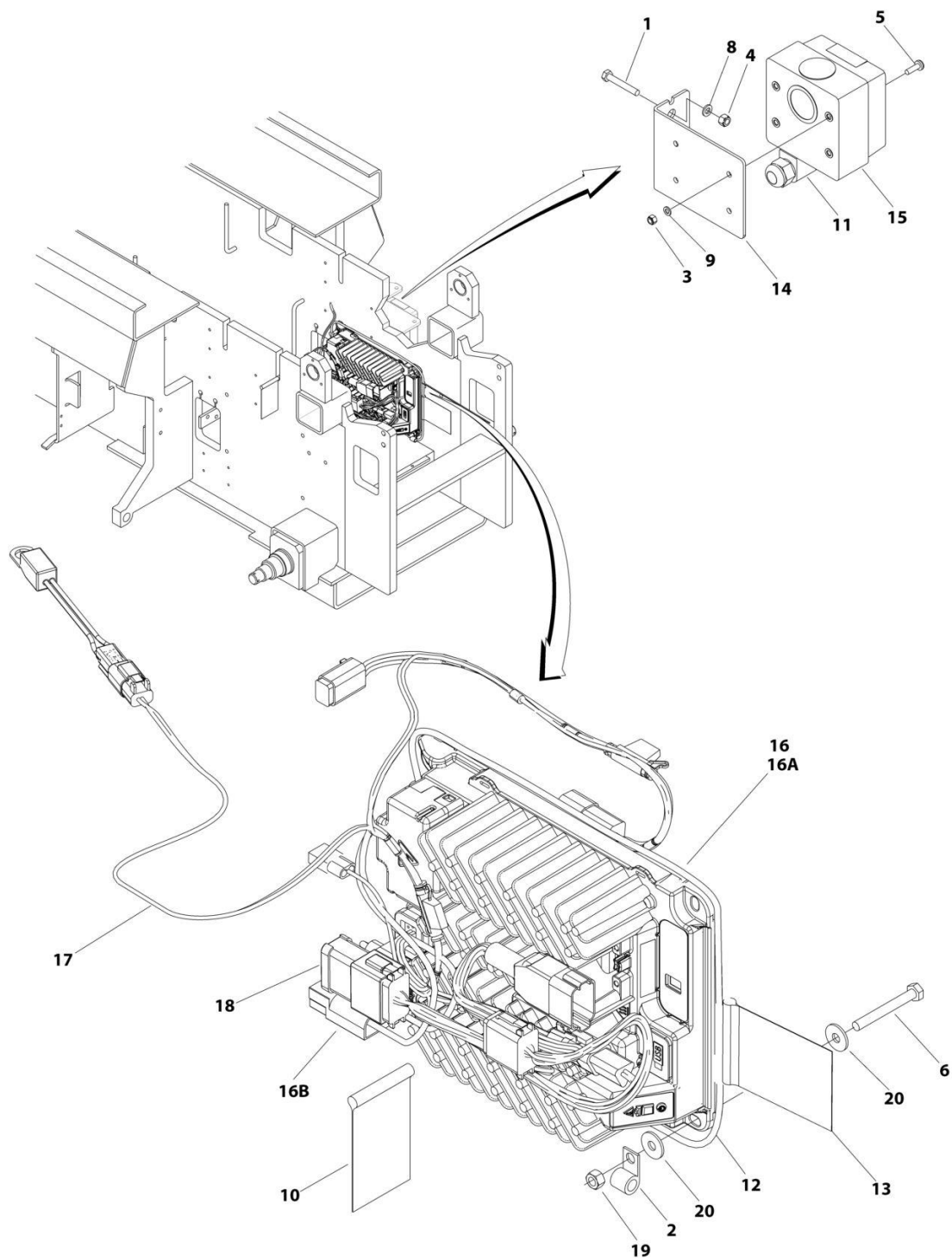
SECTION 1 - FRAME

FIGURE 1-14. BATTERY CHARGER INSTALLATION WITH LOCALLY SUPPLIED PLUG (AUSTRALIAN SPEC) (SN 0200000100 to Present, SN B200000100 through B200061738, SN M200000100 to Present, SN 1200000100 to Present)

ITEM	PART NUMBER	QTY	DESCRIPTION	REV
	1001113576	Ref	BATTERY CHARGER INSTALLATION WITH LOCALLY SUPPLIED PLUG (AUSTRALIAN SPEC)	G
1	1060689	1	Cable, Charger (AC Input)	
2	1320136	1	Clamp (USA Built Machines)	
2	1321293	1	Clamp	
3	4191707	2	Screw M6 x 16	
4	4240033	2	Tie-Strap	
5	4811700	AR	Washer M6	
6	1001102258	1	Decal - AC to Platform	
7	1001102489	1	Decal - Charger Plug (SN 0200000100 through 0200257822, SN B200000100 through B200037114, SN M200000100 through M200002934)	
7	1001215870	1	Decal - Charger Plug (SN 0200257823 to Present, SN B200037115 to Present, SN M200002935 through B200061738, Including M200039289)	
8	1001112111	1	Battery Charger Assembly (See BATTERY CHARGER ASSEMBLY - DELTA-Q for Breakdown)	
9	1001112113	1	Sensor, Temperature (Not Shown - Located on Negative Battery Terminal) (SN 0200266434 to Present, SN B200045242 to Present, SN M200014371 through M200039289)	
10	1001227267	1	Electric Assembly (SN B200053356 through B200061738, SN M200022360 through M200039289)	
11	0700616	4	Bolt M6 x 40	
12	3290405	1	Nut M4	
13	3290505	8	Nut M5	
14	1001227219	1	Earth/Ground Harness (SN B200053356 through B200061738, SN M200022360 through M200039289)	
15	3290605	4	Nut M6	
16	3900381	8	Screw M5 x 16	
17	4811400	1	Washer M4	
18	4831600	8	Washer M5	
19	1001103471	1	Connector, Strain Relief (SN B200053356 through B200061738, SN M200022360 through M200039289)	
20	1001227213	1	Bracket (SN B200053356 through B200061738, SN M200022360 through M200039289)	

SECTION 1 - FRAME

FIGURE 1-15. BATTERY CHARGER INSTALLATION WITH LOCALLY SUPPLIED PLUG (AUSTRALIAN SPEC) (SN B200061739 to Present)



ART_1001252963

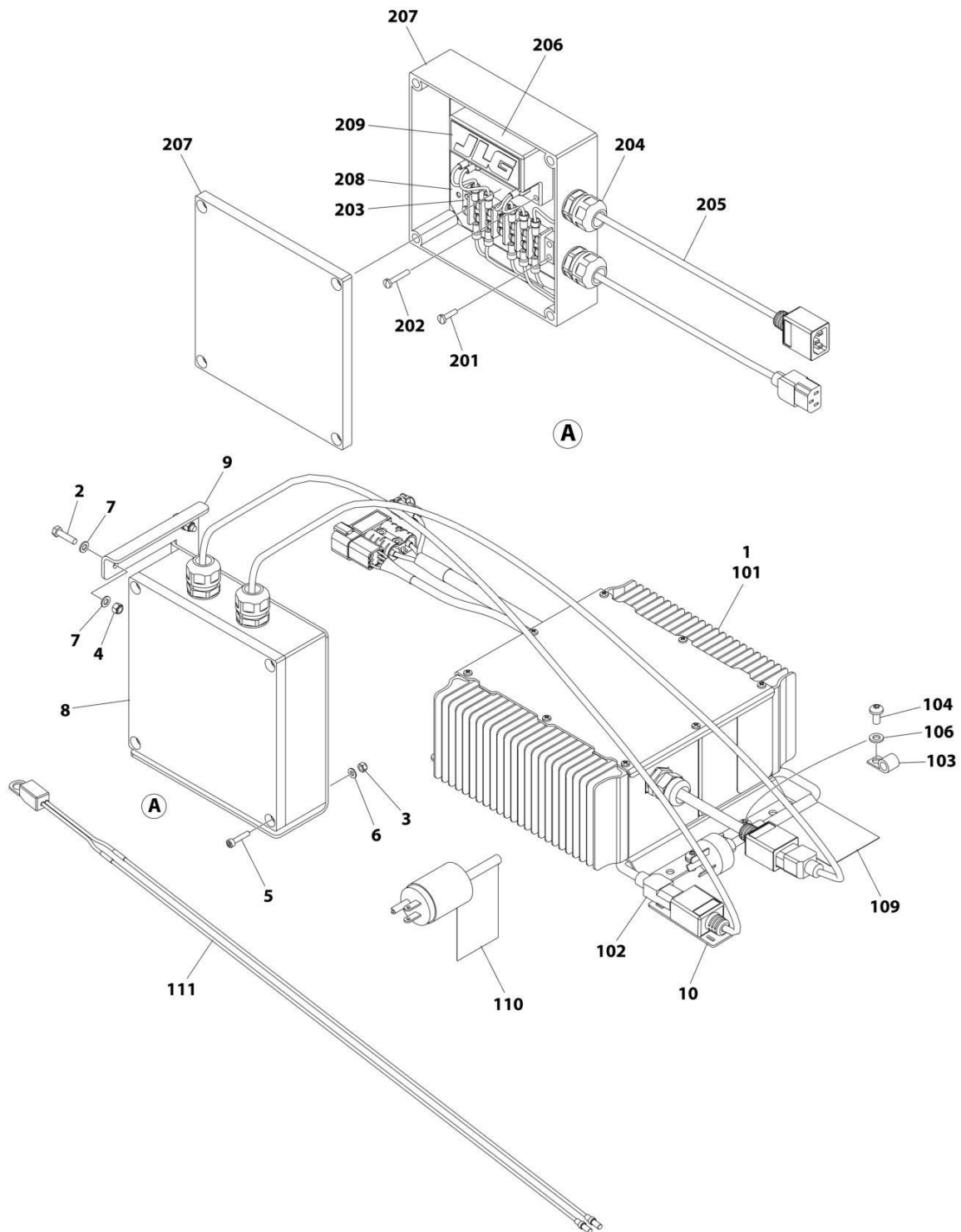
SECTION 1 - FRAME

FIGURE 1-15. BATTERY CHARGER INSTALLATION WITH LOCALLY SUPPLIED PLUG (AUSTRALIAN SPEC) (SN B200061739 to Present)

ITEM	PART NUMBER	QTY	DESCRIPTION	REV
	1001252963	Ref	BATTERY CHARGER INSTALLATION WITH LOCALLY SUPPLIED PLUG	D
1	0760616	2	Bolt M6 x 40	
2	1320136	1	Clamp	
3	3290505	4	Nut M5	
4	3290605	2	Nut M6	
5	3900381	4	Screw M5 x 16	
6	0700618	4	Bolt M6 x 50	
7	4240033	AR	Tie-Strap e Strap (Not Shown)	
8	4831700	2	Washer M6	
9	4831600	4	Washer M5	
10	1001102258	1	Decal – AC Label	
11	1001103471	1	Connector, Strain Relief	
12	1001207974	NLA	Cable, Charger Input (Use PN 1060689)	
12	1060689	1	Cable, Charger Input	
13	1001215870	1	Decal – Charger Input Voltage	
14	1001227213	1	Bracket	
15	1001227267	1	Electric Assembly	
16	1001252957	1	Battery Charger Assembly	
16A	1001253952	1	Charger	
16B	1001253638	1	Harness, Charger (See Separate Breakdown in ELECTRICAL SECTION)	
17	1001253641	1	Harness, Charger (See Separate Breakdown in ELECTRICAL SECTION)	
18	1001253643	1	Harness, ES, Can Splice (See Separate Breakdown in ELECTRICAL SECTION)	
19	3290607	4	Nut M6	
20	4811702	8	Washer M6	

SECTION 1 - FRAME

FIGURE 1-16. BATTERY CHARGER INSTALLATION – WITH VOLTAGE GUARD (LOCALLY SUPPLIED PLUG) (ANSI EXPORT AND KOREA SPECS)



ART_1001212459

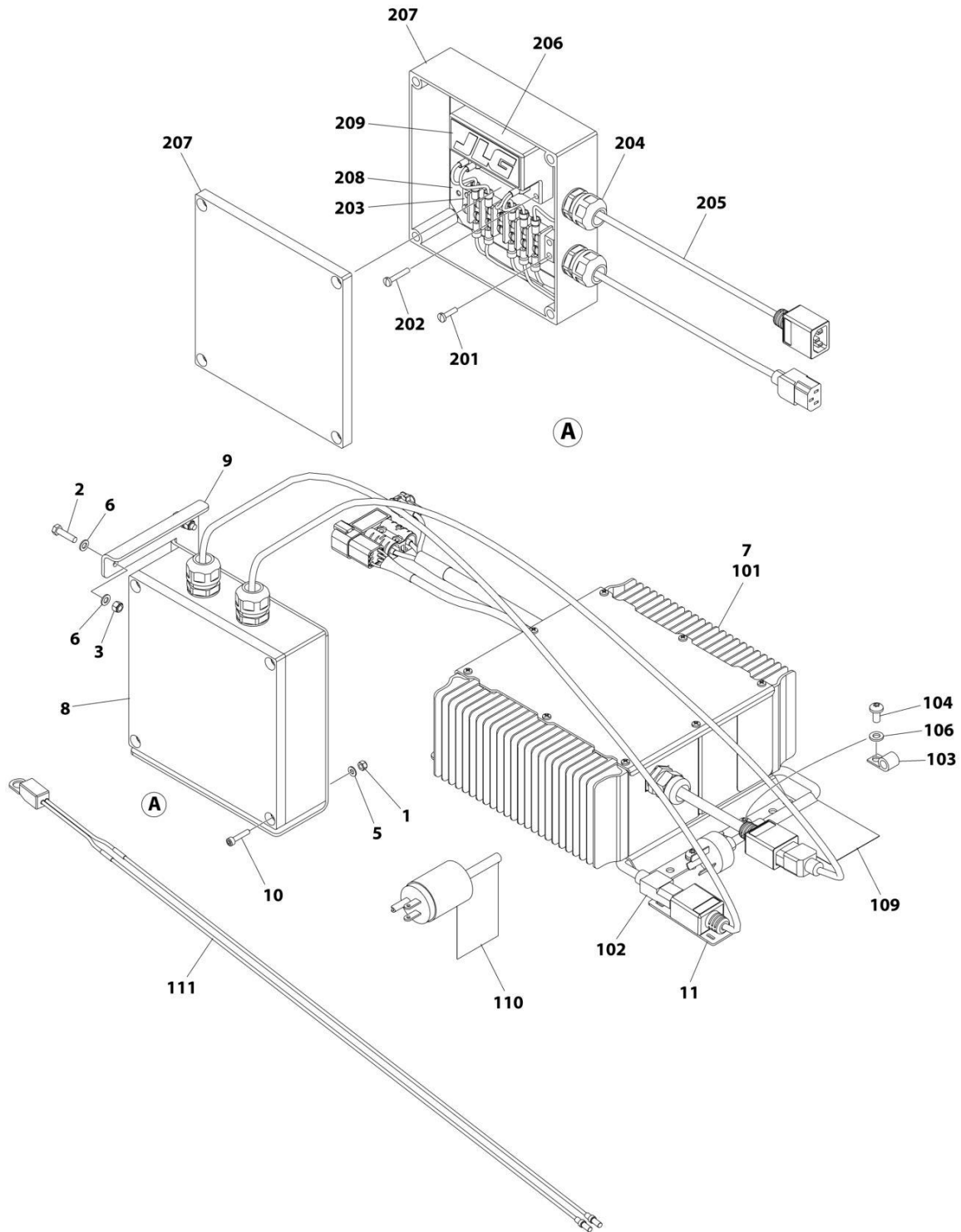
SECTION 1 - FRAME

FIGURE 1-16. BATTERY CHARGER INSTALLATION – WITH VOLTAGE GUARD (LOCALLY SUPPLIED PLUG) (ANSI EXPORT AND KOREA SPECS)

ITEM	PART NUMBER	QTY	DESCRIPTION	REV
	1001212459	Ref	BATTERY CHARGER INSTALLATION - WITH VOLTAGE GUARD (LOCALLY SUPPLIED PLUG)	B
1	0272875	1	Charger Installation (See Items 101-111)	
2	0700510	2	Bolt M5 x 20	
3	3290405	4	Nut M4	
4	3290505	2	Nut M5	
5	4031510	4	Screw M4 x 30	
6	4811400	4	Washer M4	
7	4811600	4	Washer M5	
8	1001185306	1	Voltage Guard Installation (See Items 201-209)	
9	1001185830	1	Bracket	
10	1001215326	1	Support	
11	4240017	2	Tie Strap (Not Shown)	
	0272875	Ref	CHARGER INSTALLATION	N
101	1001112111	1	Battery Charger Assembly (See Separate Breakdown in this Section)	
102	1001103258	1	Cable, Charger (AC Input)	
103	1320136	1	Clamp (USA Built Machines)	
103	1321293	1	Clamp	
104	4191707	2	Screw M6 x 16	
106	4811700	2	Washer M6	
109	1001215870	1	Decal - Charger Plug	
110	1001102258	1	Decal - AC to Platform	
111	1001112113	1	Sensor, Temperature	
	1001185306	Ref	VOLTAGE GUARD INSTALLATION	C
201	4010408	2	Screw M4 x 16	
202	4010412	2	Screw M4 x 24	
203	4460007	1	Bus Bar	
204	4460968	2	Connector Strain Relief	
205	1001184947	1	Harness	
206	1001185156	1	Voltage Guard	
207	1001186497	1	Box	
208	1001187101	1	Plate	
209	1001187530	1	Decal - JLG	

SECTION 1 - FRAME

FIGURE 1-17. BATTERY CHARGER INSTALLATION – WITH VOLTAGE GUARD AND CHINESE PLUG
(ANSI EXPORT AND KOREA SPECS)



ART_1001221857

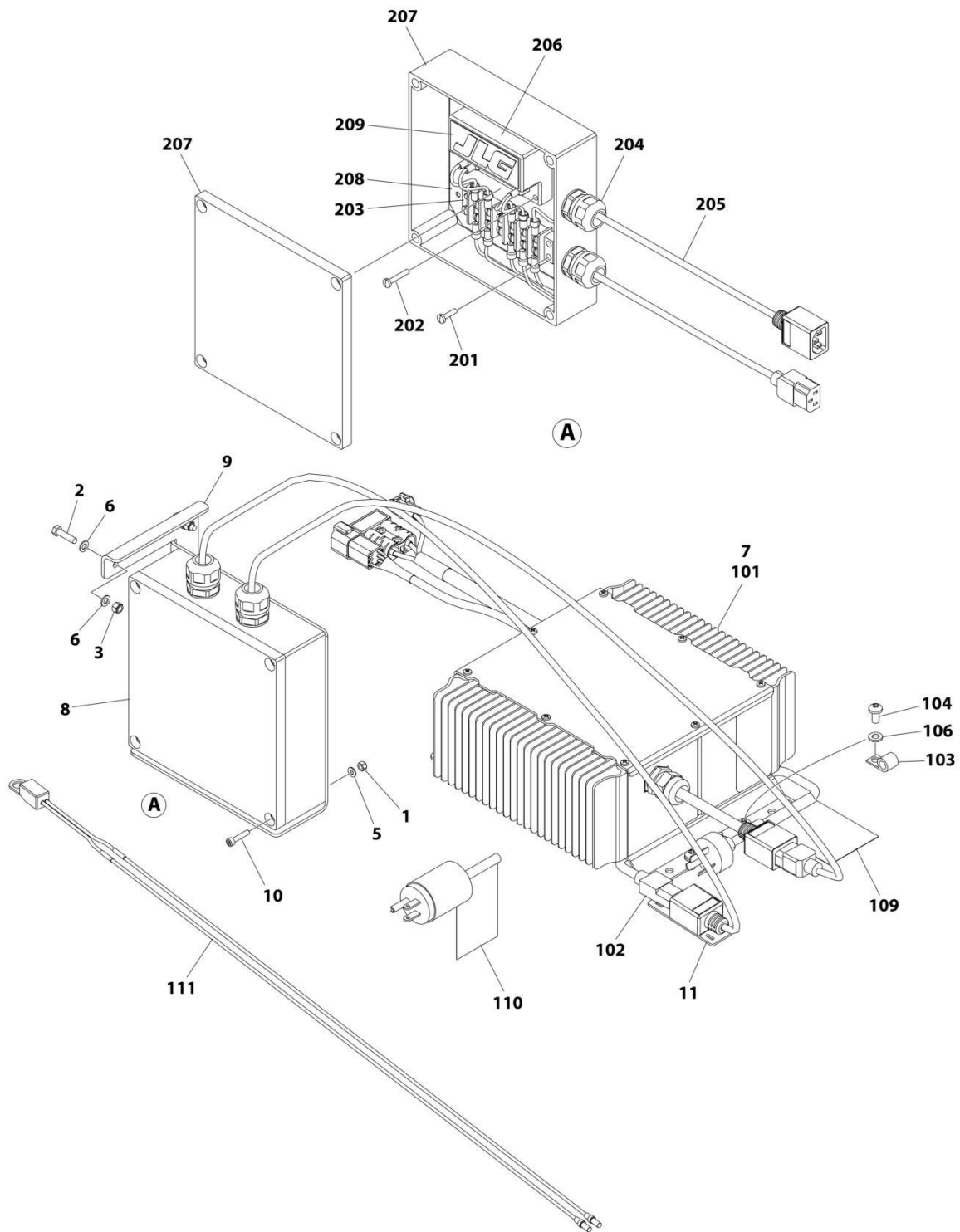
SECTION 1 - FRAME

**FIGURE 1-17. BATTERY CHARGER INSTALLATION – WITH VOLTAGE GUARD AND CHINESE PLUG
(ANSI EXPORT AND KOREA SPECS)**

ITEM	PART NUMBER	QTY	DESCRIPTION	REV
	1001221857	Ref	BATTERY CHARGER INSTALLATION - WITH VOLTAGE GUARD AND CHINESE PLUG	A
1	3290405	4	Nut M4	
2	0700510	2	Bolt M5 x 20	
3	3290505	2	Nut M5	
5	4811400	4	Washer M4	
6	4811600	4	Washer M5	
7	1001172008	1	Charger Installation (See Items 101-111)	
8	1001185306	1	Voltage Guard Installation (See Items 201-209)	
9	1001185830	1	Bracket	
10	4031510	4	Screw M4 x 30	
11	1001215326	1	Support	
12	4240017	2	Tie Strap (Not Shown)	
	1001172008	Ref	CHARGER INSTALLATION	E
101	1001112111	1	Battery Charger Assembly (See Separate Breakdown in this Section)	
102	1001172010	1	Cable, Charger (AC Input)	
103	1321293	1	Clamp	
104	4191707	2	Screw M6 x 16	
106	4811700	2	Washer M6	
109	1001215870	1	Decal - Charger Plug	
110	1001102258	1	Decal - AC to Platform	
111	1001112113	1	Sensor, Temperature	
	1001185306	Ref	VOLTAGE GUARD INSTALLATION	C
201	4010408	2	Screw M4 x 16	
202	4010412	2	Screw M4 x 24	
203	4460007	1	Bus Bar	
204	4460968	2	Connector Strain Relief	
205	1001184947	1	Harness	
206	1001185156	1	Voltage Guard	
207	1001186497	1	Box	
208	1001187101	1	Plate	
209	1001187530	1	Decal - JLG	

SECTION 1 - FRAME

FIGURE 1-18. BATTERY CHARGER INSTALLATION – WITH VOLTAGE GUARD AND CHINESE PLUG
(CHINESE SPECS) (SN B200000100 through B200046727)



ART_1001221857

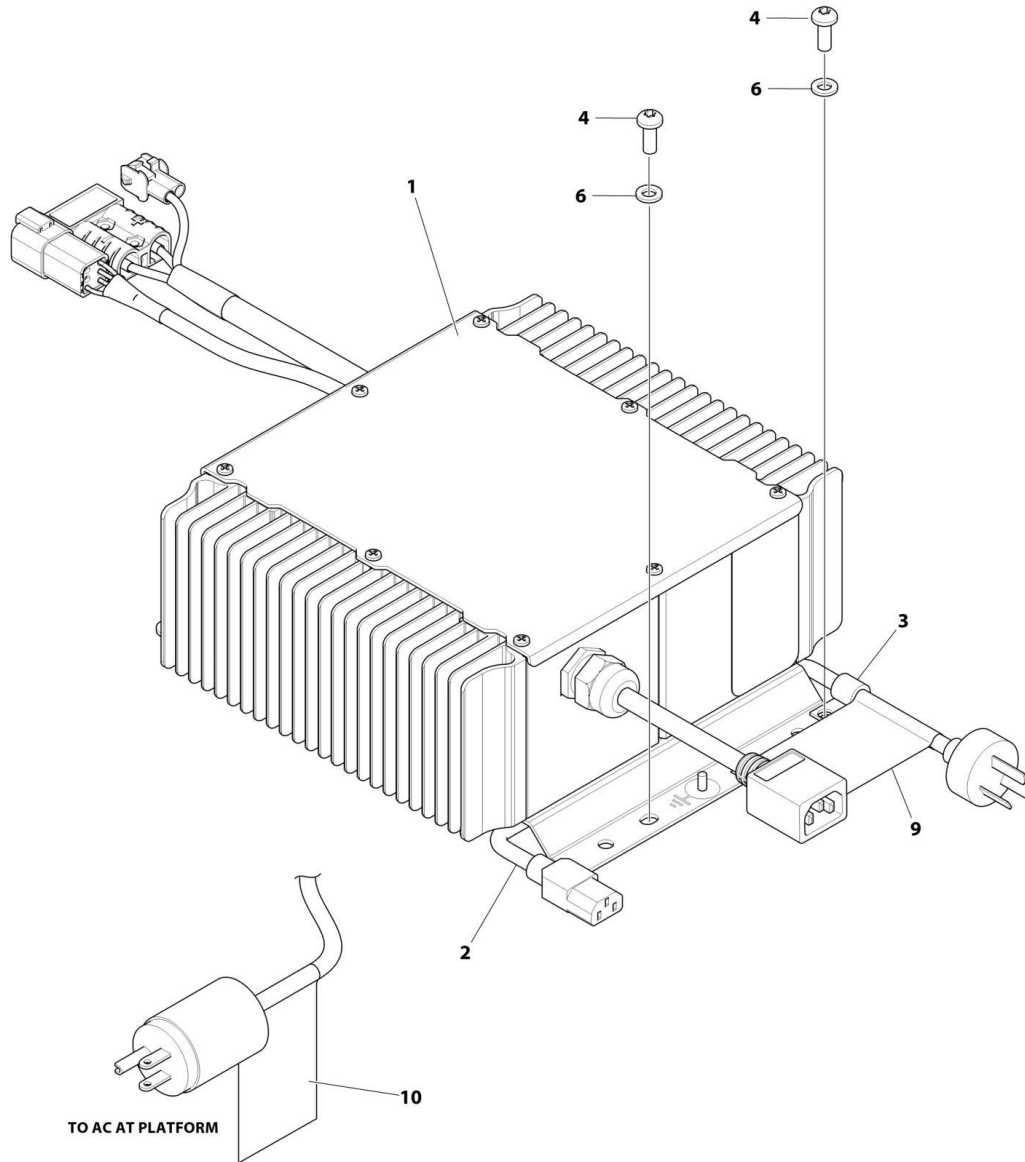
SECTION 1 - FRAME

**FIGURE 1-18. BATTERY CHARGER INSTALLATION – WITH VOLTAGE GUARD AND CHINESE PLUG
(CHINESE SPECS) (SN B200000100 through B200046727)**

ITEM	PART NUMBER	QTY	DESCRIPTION	REV
	1001221857	Ref	BATTERY CHARGER INSTALLATION - WITH VOLTAGE GUARD AND CHINESE PLUG	A
1	3290405	4	Nut M4	
2	0700510	2	Bolt M5 x 20	
3	3290505	2	Nut M5	
5	4811400	4	Washer M4	
6	4811600	4	Washer M5	
7	1001172008	1	Charger Installation (See Items 101-111)	
8	1001185306	1	Voltage Guard Installation (See Items 201-209)	
9	1001185830	1	Bracket	
10	4031510	4	Screw M4 x 30	
11	1001215326	1	Support	
12	4240017	2	Tie Strap (Not Shown)	
	1001172008	Ref	CHARGER INSTALLATION	E
101	1001112111	1	Battery Charger Assembly (See Separate Breakdown in this Section)	
102	1001172010	1	Cable, Charger (AC Input)	
103	1321293	1	Clamp	
104	4191707	2	Screw M6 x 16	
106	4811700	2	Washer M6	
109	1001215870	1	Decal - Charger Plug	
110	1001102258	1	Decal - AC to Platform	
111	1001112113	1	Sensor, Temperature	
	1001185306	Ref	VOLTAGE GUARD INSTALLATION	C
201	4010408	2	Screw M4 x 16	
202	4010412	2	Screw M4 x 24	
203	4460007	1	Bus Bar	
204	4460968	2	Connector Strain Relief	
205	1001184947	1	Harness	
206	1001185156	1	Voltage Guard	
207	1001186497	1	Box	
208	1001187101	1	Plate	
209	1001187530	1	Decal - JLG	

SECTION 1 - FRAME

FIGURE 1-19. BATTERY CHARGER INSTALLATION WITH CHINESE PLUG (CHINESE SPEC)



ART_1001172008

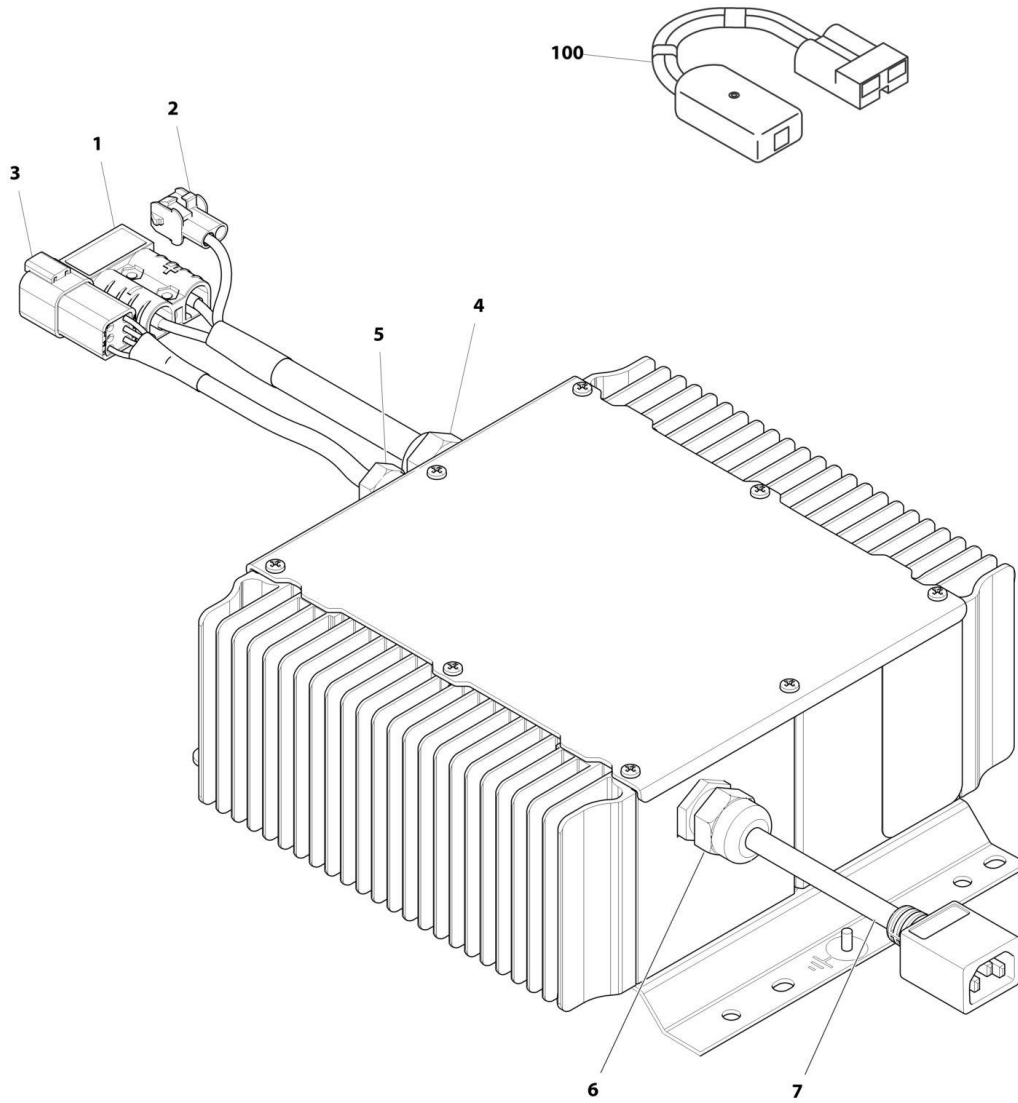
SECTION 1 - FRAME

FIGURE 1-19. BATTERY CHARGER INSTALLATION WITH CHINESE PLUG (CHINESE SPEC)

ITEM	PART NUMBER	QTY	DESCRIPTION	REV
	1001172008	Ref	BATTERY CHARGER INSTALLATION WITH CHINESE PLUG (CHINESE SPEC)	E
1	1001112111	1	Battery Charger Assembly (See BATTERY CHARGER ASSEMBLY - DELTA-Q for Breakdown)	
2	1001172010	1	Cable, Charger (AC Input)	
3	1321293	1	Clamp	
4	4191707	2	Screw M6 x 16	
6	4811700	2	Washer M6	
9	1001102489	1	Decal - Charger Plug (SN 0200000100 through 0200257822, SN B200000100 to Present, SN M200000100 through M200002934)	
9	1001215870	1	Decal - Charger Plug (SN 0200257823 to Present, SN M200002935 through M200039289)	
10	1001102258	1	Decal - AC to Platform	
11	1001112113	1	Sensor, Temperature (Not Shown - Located on Negative Battery Terminal) (SN 0200266434 to Present, SN 1200027658 to Present, SN B200045242 to Present, SN M200014371 through M200039289)	

SECTION 1 - FRAME

FIGURE 1-20. BATTERY CHARGER ASSEMBLY - DELTA-Q



ART_100112111

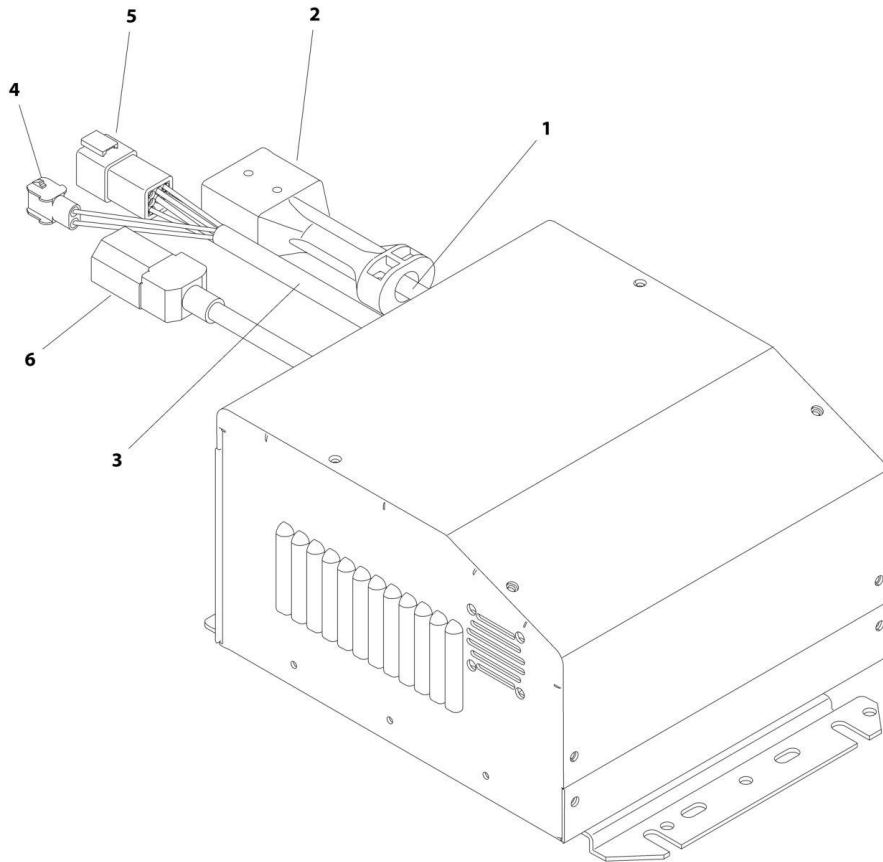
SECTION 1 - FRAME

FIGURE 1-20. BATTERY CHARGER ASSEMBLY - DELTA-Q

ITEM	PART NUMBER	QTY	DESCRIPTION	REV
	1001112111	Ref	BATTERY CHARGER ASSEMBLY - DELTA-Q	K
1	Not Available	1	Harness with Plug	
1	4460648	1	Plug, Anderson Battery Cable	
2	Not Available	1	Harness with Connector	
2	4460424	1	Connector, Female - 2 Position	
2	4460227	2	Pin, Male	
3	Not Available	1	Harness with Connector	
3	4460899	1	Connector, Female - 6 Position	
3	4460464	6	Pin, Male	
4	Not Available	1	Connector, Strain Relief	
5	Not Available	1	Connector, Strain Relief	
6	Not Available	1	Connector, Strain Relief	
7	Not Available	1	Harness with Connector	
100	2915230	1	BATTERY CHARGER REPROGRAM CONTROLLER KIT (Includes Controller, Software and Instructions)	

SECTION 1 - FRAME

FIGURE 1-21. BATTERY CHARGER ASSEMBLY - EAGLE PERFORMANCE



ART_1001177842

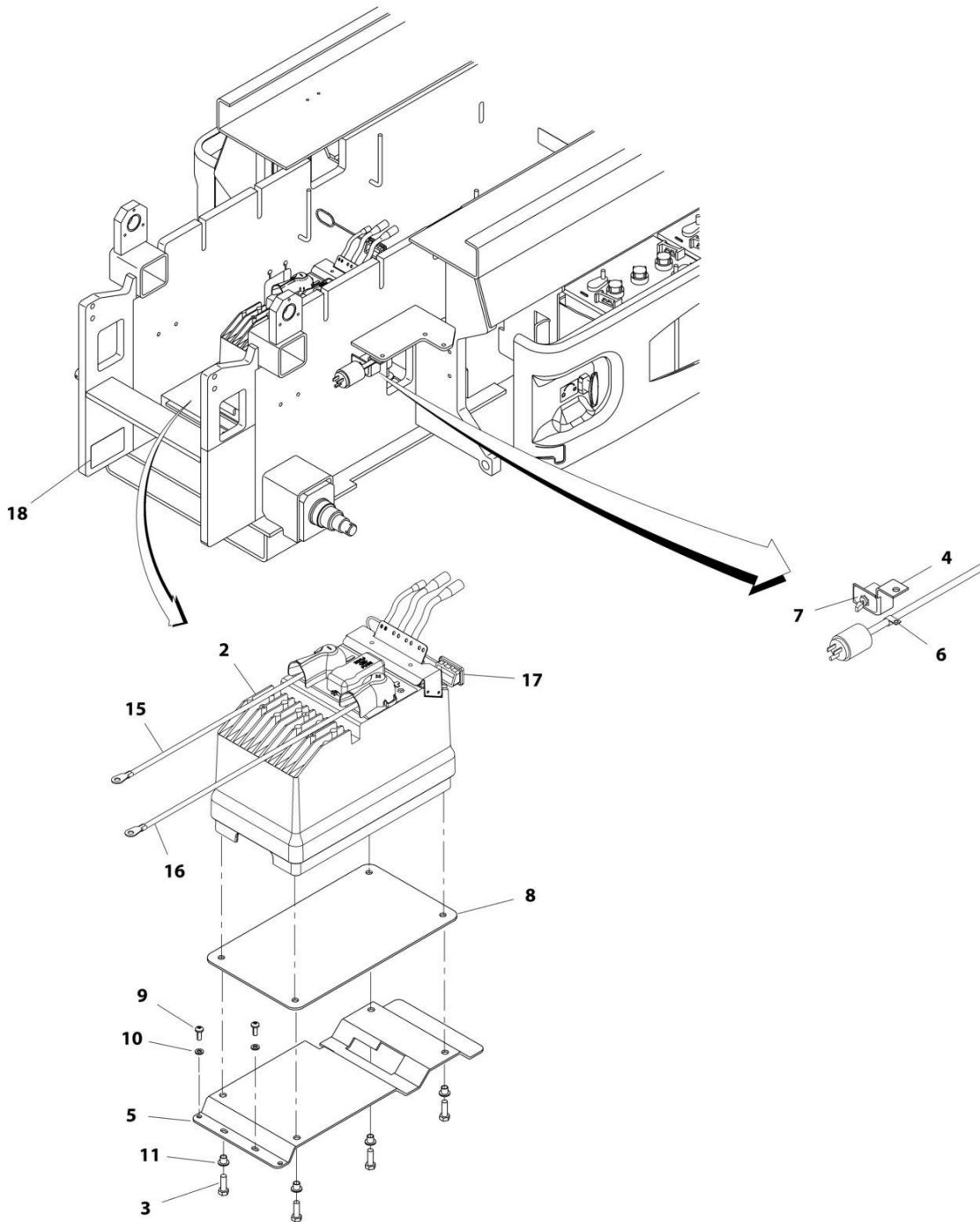
SECTION 1 - FRAME

FIGURE 1-21. BATTERY CHARGER ASSEMBLY - EAGLE PERFORMANCE

ITEM	PART NUMBER	QTY	DESCRIPTION	REV
	1001177842	Ref	BATTERY CHARGER ASSEMBLY - EAGLE PERFORMANCE	A
1	Not Available	1	Harness with Plug	
2	Not Available	1	Plug, Battery Cable	
3	Not Available	1	Harness	
4	4460424	1	Connector, Female - 2 Position	
4	4460227	2	Pin, Male	
5	4460899	1	Connector, Female - 6 Position	
5	4460464	6	Pin, Male	
6	Not Available	1	Harness with Connector	

SECTION 1 - FRAME

FIGURE 1-22. CHARGER (INVERTER) INSTALLATION (ANSI, ANSI EXPORT, CSA SPECS)



ART_0275104

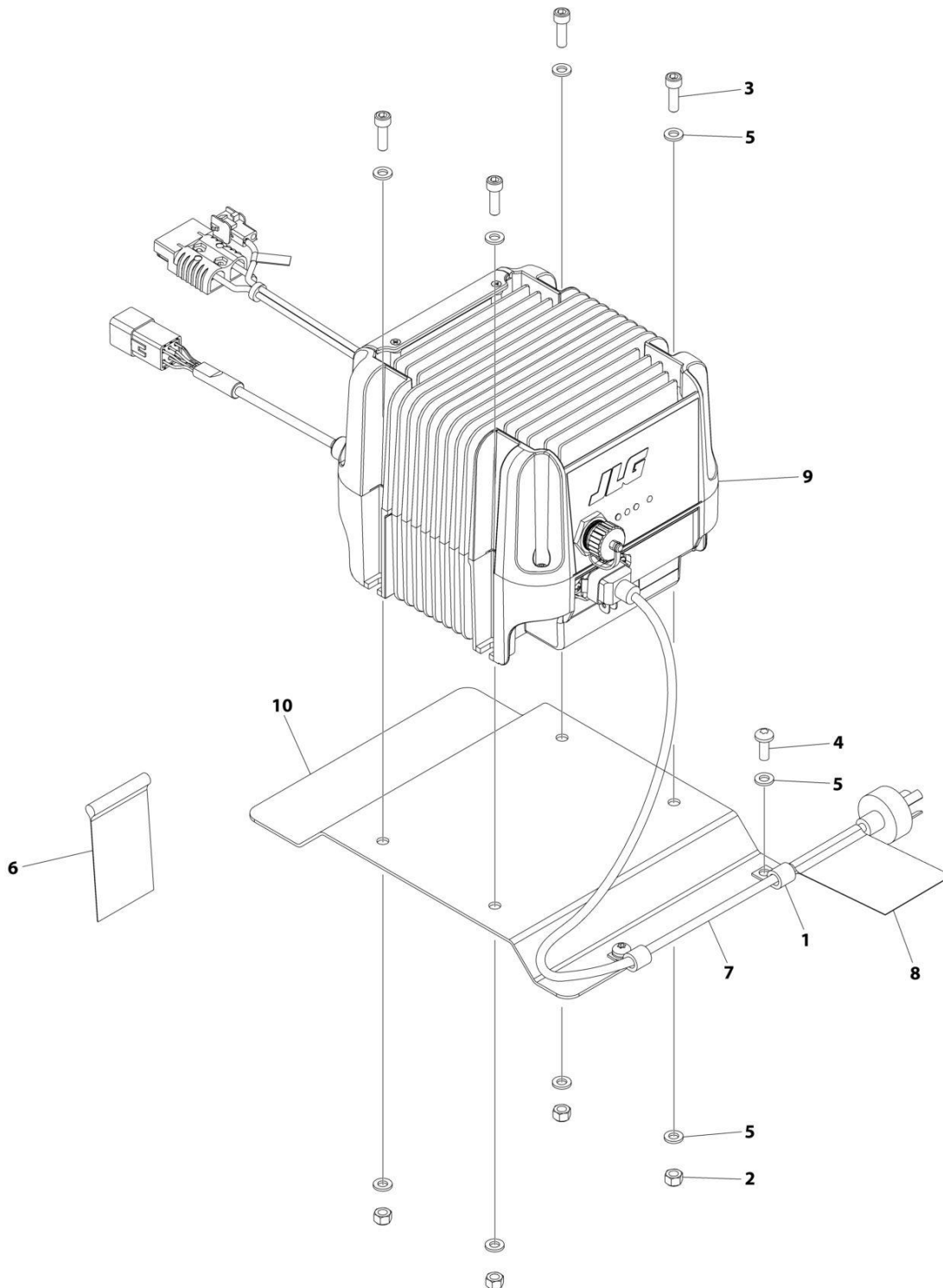
SECTION 1 - FRAME

FIGURE 1-22. CHARGER (INVERTER) INSTALLATION (ANSI, ANSI EXPORT, CSA SPECS)

ITEM	PART NUMBER	QTY	DESCRIPTION	REV
	0275104	Ref	CHARGER (INVERTER) INSTALLATION (ANSI, ANSI EXPORT, CSA SPECS)	G
1	0100011	AR	Compound, Locking	
2	1001093839	1	Charger, Inverter	
3	0760812	4	Screw M8 x 25	
4	0902780	1	Bracket, Remote Switch	
5	0903319	1	Bracket, Inverter Mounting	
6	1320043	1	Clamp	
7	1705052	1	Decal - Inverter On-Off	
8	2820239	1	Insulation	
9	4191707	2	Screw M6 x 16	
10	4811700	2	Washer M6	
11	4740562	4	Washer Special	
12	1001091479	1	Harness, AC Input (Not Shown)	
13	4923390	1	Harness, AC Output (Not Shown)	
14	4923391	1	Harness Data Interface (Not Shown)	
15	4923392	1	Cable, Inverter Positive	
16	4923393	1	Cable, Inverter Negative	
17	1671266	1	Cover	
18	1706749	1	Decal - Inverter	

SECTION 1 - FRAME

FIGURE 1-23. BATTERY CHARGER INSTALLATION - GREEN POWER (CHINESE PLUG) (CHINESE SPECS) (SN 0200000100 through 0200261035, SN B200000100 through B200036484, SN M200000100 through M200007339)



ART_1001186498

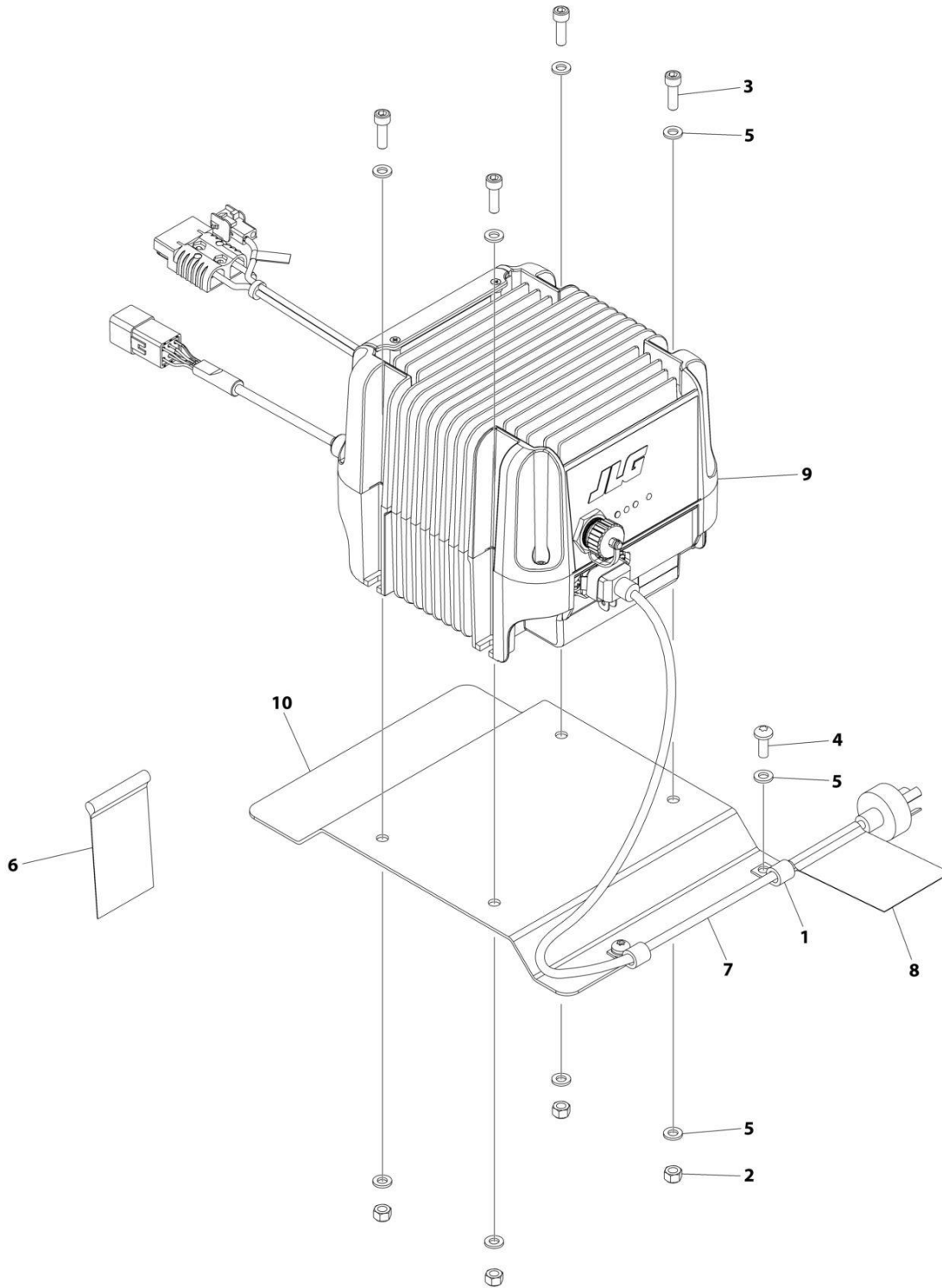
SECTION 1 - FRAME

FIGURE 1-23. BATTERY CHARGER INSTALLATION - GREEN POWER (CHINESE PLUG) (CHINESE SPECS) (SN 0200000100 through 0200261035, SN B200000100 through B200036484, SN M200000100 through M200007339)

ITEM	PART NUMBER	QTY	DESCRIPTION	REV
	1001186498	Ref	BATTERY CHARGER INSTALLATION - GREEN POWER (CHINESE PLUG)	F
1	1321293	2	Clamp	
2	3290605	4	Nut M6	
3	4031708	4	Capscrew M6 x 20	
4	4191707	2	Screw M6 x 16	
5	4811700	10	Washer M6	
6	1001102258	1	Decal - AC to Platform	
7	1001172010	1	Cable, Charger (AC Input)	
8	1001215870	1	Decal - Charger Plug	
9	1001218595	1	Charger, Battery - Green Power	
10	1001218808	1	Bracket	
11	1001112113	1	Sensor, Temperature (Not Shown - Located on Negative Battery Terminal)	

SECTION 1 - FRAME

FIGURE 1-24. BATTERY CHARGER INSTALLATION - GREEN POWER (CHINESE PLUG) (CHINESE SPECS)



ART_1001186498

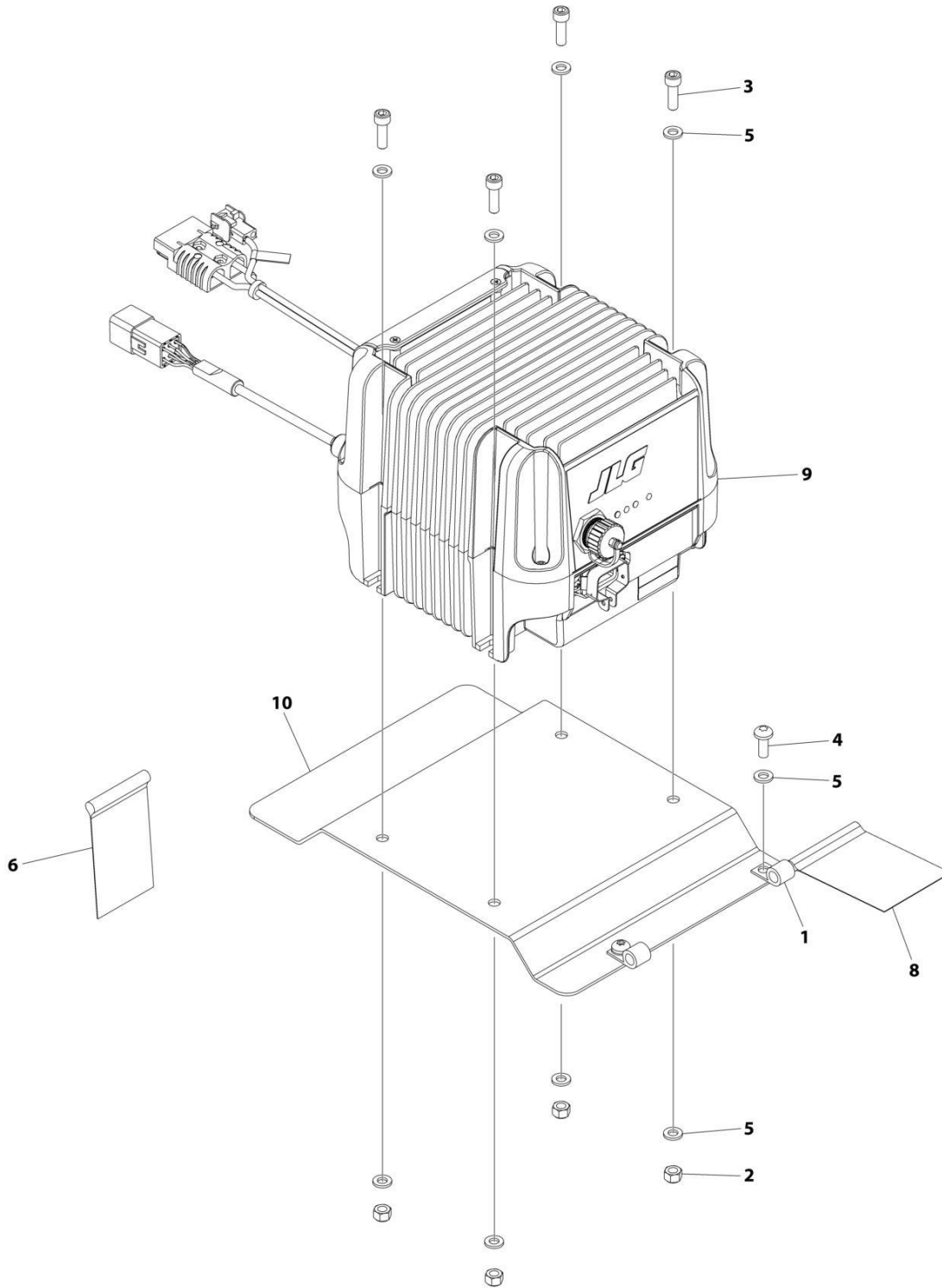
SECTION 1 - FRAME

FIGURE 1-24. BATTERY CHARGER INSTALLATION - GREEN POWER (CHINESE PLUG) (CHINESE SPECS)

ITEM	PART NUMBER	QTY	DESCRIPTION	REV
	1001186498	Ref	BATTERY CHARGER INSTALLATION - GREEN POWER (CHINESE PLUG)	F
1	1321293	2	Clamp	
2	3290605	4	Nut M6	
3	4031708	4	Capscrew M6 x 20	
4	4191707	2	Screw M6 x 16	
5	4811700	10	Washer M6	
6	1001102258	1	Decal - AC to Platform	
7	1001172010	1	Cable, Charger (AC Input)	
8	1001215870	1	Decal - Charger Plug	
9	1001218595	1	Charger, Battery - Green Power	
10	1001218808	1	Bracket	
11	1001112113	1	Sensor, Temperature (Not Shown - Located on Negative Battery Terminal)	

SECTION 1 - FRAME

FIGURE 1-25. BATTERY CHARGER INSTALLATION - GREEN POWER (LOCALLY SUPPLIED PLUG) (KOREA SPECS)



ART_1001245319

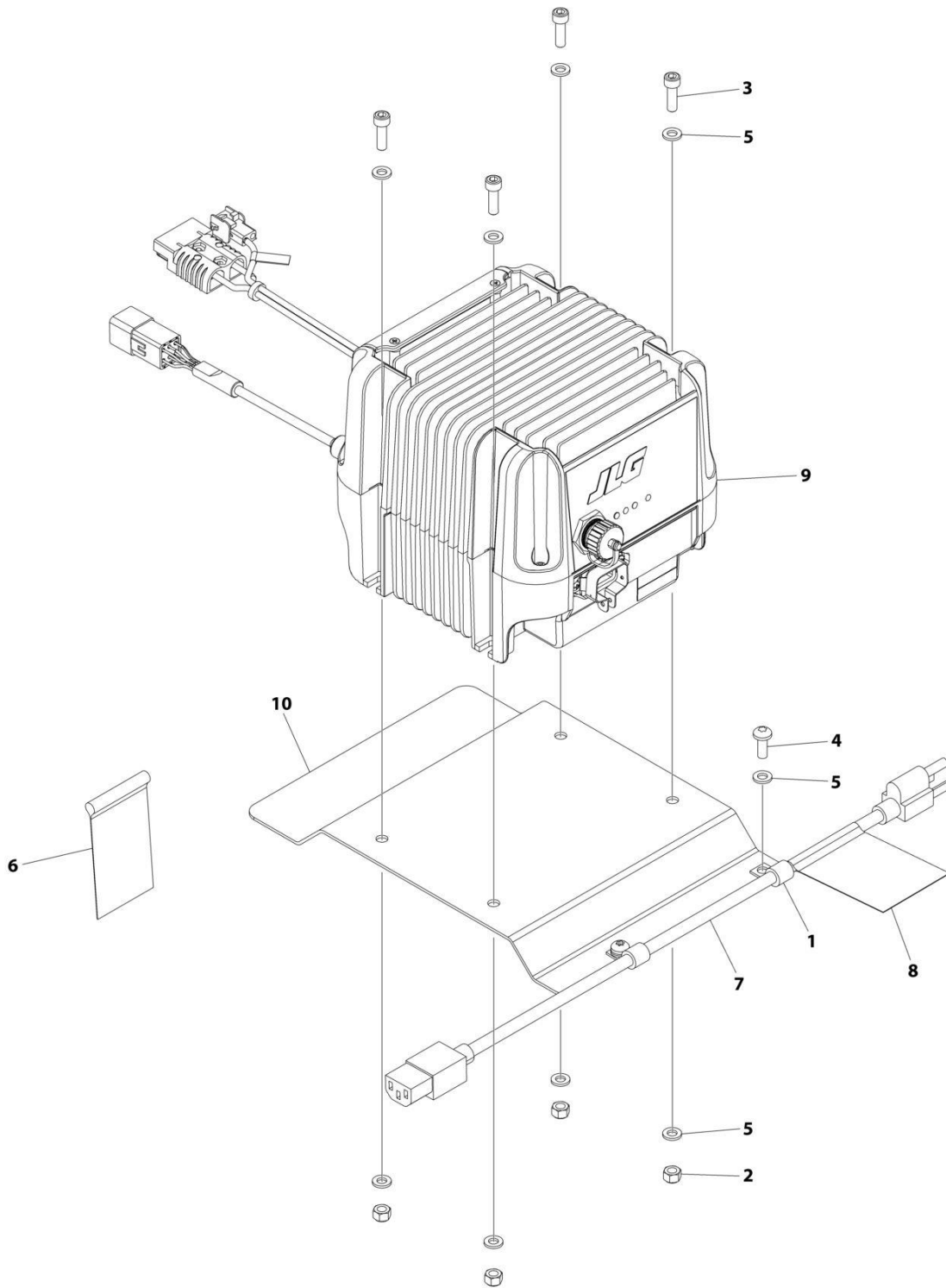
SECTION 1 - FRAME

**FIGURE 1-25. BATTERY CHARGER INSTALLATION - GREEN POWER (LOCALLY SUPPLIED PLUG)
(KOREA SPECS)**

ITEM	PART NUMBER	QTY	DESCRIPTION	REV
	1001245319	Ref	BATTERY CHARGER INSTALLATION - GREEN POWER (LOCALLY SUPPLIED PLUG)	A
1	1321293	2	Clamp	
2	3290605	4	Nut M6	
3	4031708	4	Capscrew M6 x 20	
4	4191707	2	Screw M6 x 16	
5	4811700	10	Washer M6	
6	1001102258	1	Decal - AC to Platform	
7	1001112113	1	Sensor, Temperature (Not Shown - Located on Negative Battery Terminal)	
8	1001215870	1	Decal - Charger Plug	
9	1001218595	1	Charger, Battery - Green Power	
10	1001218808	1	Bracket	

SECTION 1 - FRAME

FIGURE 1-26. BATTERY CHARGER INSTALLATION - GREEN POWER (110V PLUG) (JAPANESE SPECS)



ART_1001244948

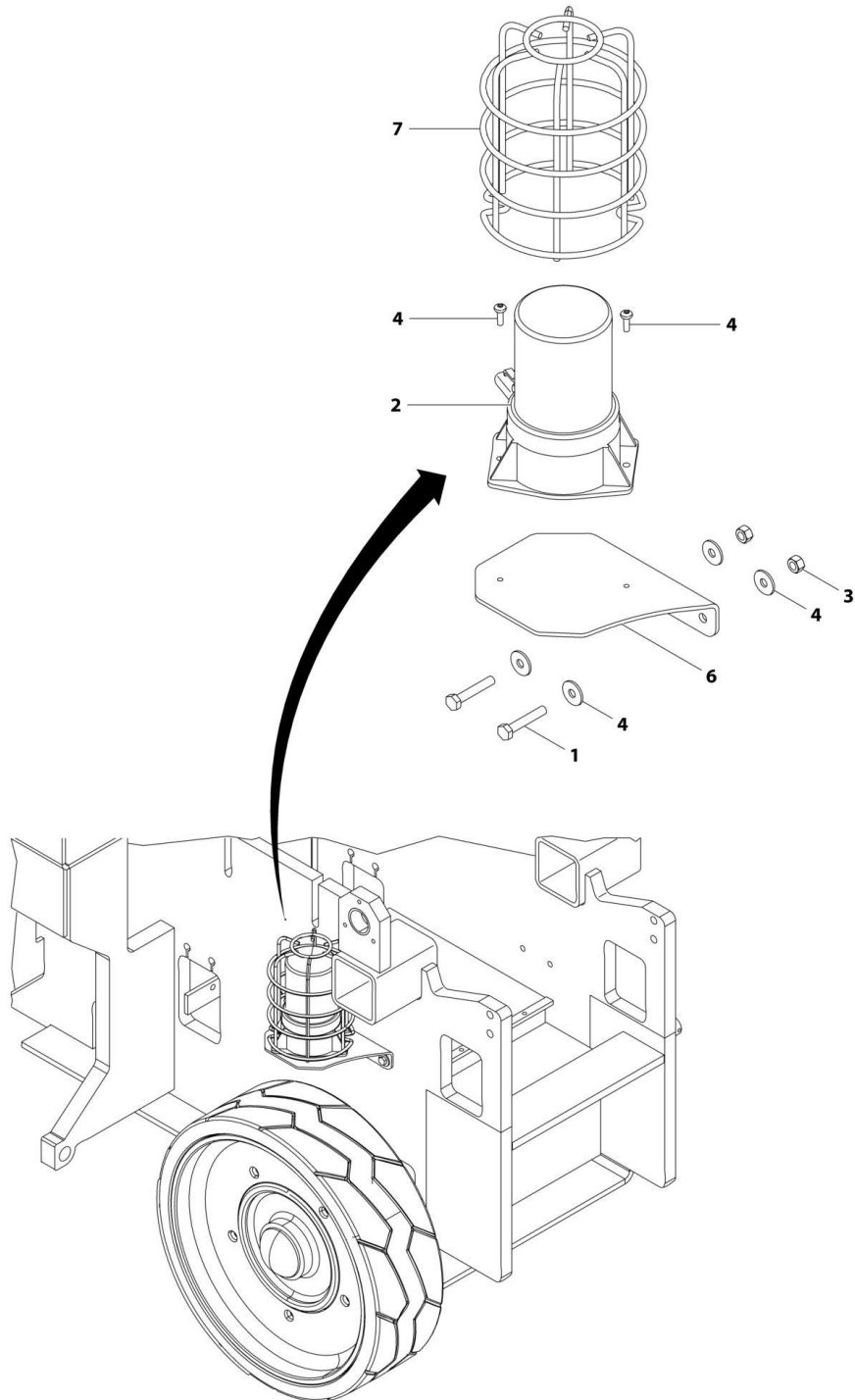
SECTION 1 - FRAME

FIGURE 1-26. BATTERY CHARGER INSTALLATION - GREEN POWER (110V PLUG) (JAPANESE SPECS)

ITEM	PART NUMBER	QTY	DESCRIPTION	REV
	1001244948	Ref	BATTERY CHARGER INSTALLATION - GREEN POWER (110V PLUG)	A
1	1321293	2	Clamp	
2	3290605	4	Nut M6	
3	4031708	4	Capscrew M6 x 20	
4	4031707	2	Capscrew M6 x 16	
5	4811700	10	Washer M6	
6	1001102258	1	Decal - AC to Platform	
7	1001103257	1	Cable, Charger (AC Input)	
8	1001215870	1	Decal - Charger Plug	
9	1001218595	1	Charger, Battery - Green Power	
10	1001218808	1	Bracket	
11	1001112113	1	Sensor, Temperature (Not Shown - Located on Negative Battery Terminal)	

SECTION 1 - FRAME

FIGURE 1-27. BEACON (AMBER) LIGHT INSTALLATION (OPTIONAL)



ART_1001175198

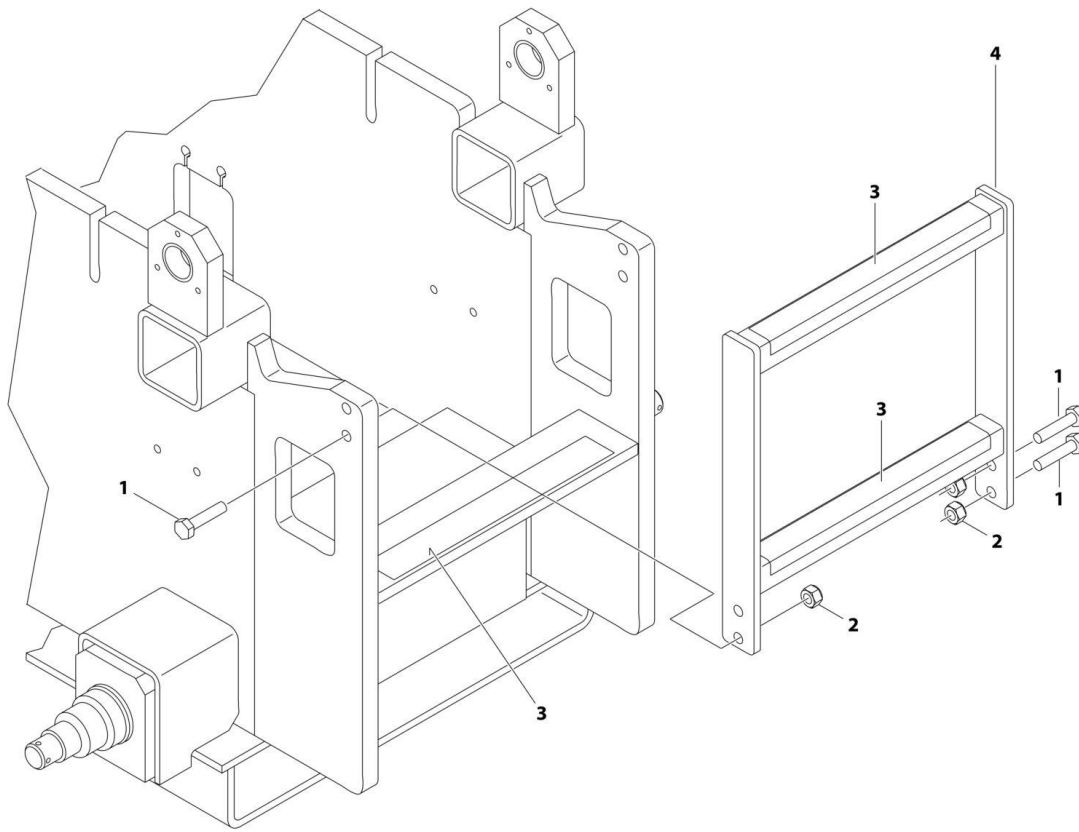
SECTION 1 - FRAME

FIGURE 1-27. BEACON (AMBER) LIGHT INSTALLATION (OPTIONAL)

ITEM	PART NUMBER	QTY	DESCRIPTION	REV
	1001175198	Ref	BEACON (AMBER) LIGHT INSTALLATION (OPTIONAL)	A
		Ref	Note: See SPECIAL OPTIONS SECTION for Machines with 2 Beacon Lights.	
1	0700615	2	Bolt M6 x 35	
2	2920161	1	Light, Beacon	
2	7016319	1	Bulb	
2	7016372	1	Lens	
3	3290605	2	Nut M6	
4	4191406	2	Screw M4 x 12	
5	4811702	4	Washer M6	
6	1001175598	1	Mount	
7	4060865	1	Guard	

SECTION 1 - FRAME

FIGURE 1-28. LADDER INSTALLATION - 2032ES



ART_1001177415

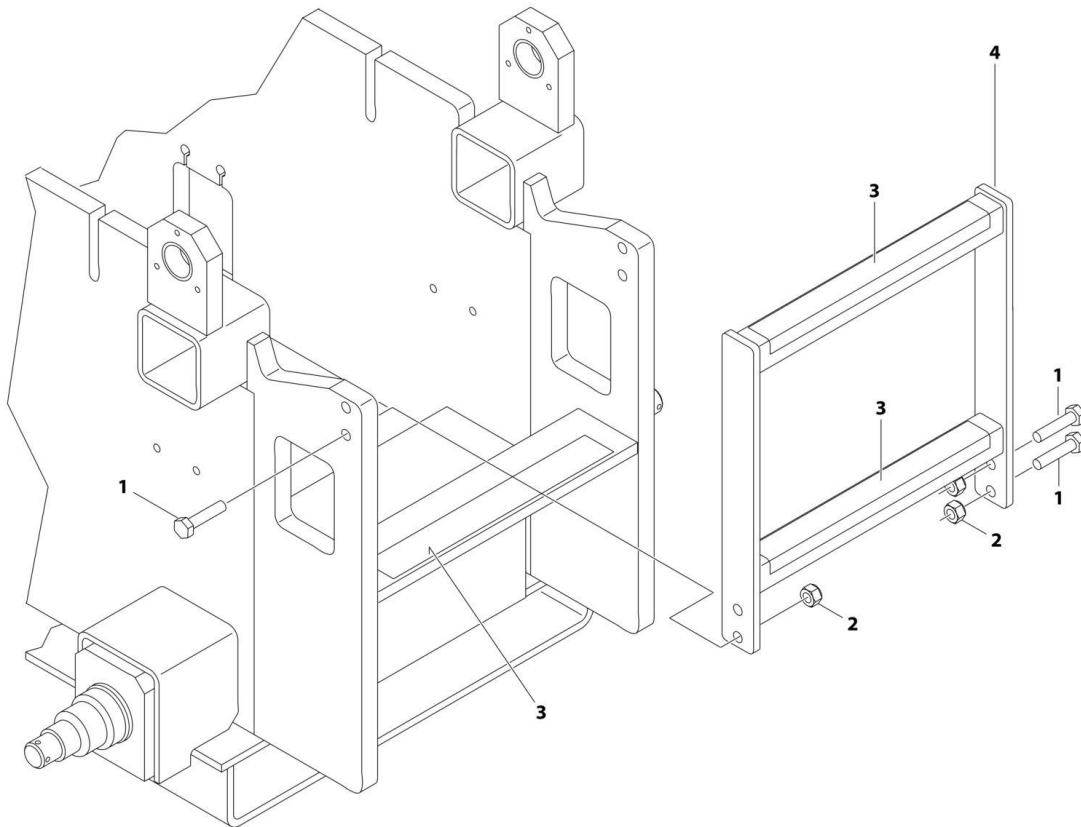
SECTION 1 - FRAME

FIGURE 1-28. LADDER INSTALLATION - 2032ES

ITEM	PART NUMBER	QTY	DESCRIPTION	REV
	1001177415	Ref	LADDER INSTALLATION - 2032ES	D
1	0701017	4	Bolt M10 x 45	
2	3291005	4	Nut M10	
3	4420070	AR	Tape, Anti-Skid (SN 0200000100 through 0200252836, SN B200000100 through B200027897, SN M200000100 through M200000818)	
3	1001206758	3	Tape, Anti-Skid (SN 0200252837 to Present, SN 1200025021 to Present, SN B200027898 to Present, SN M200000819 through M200039289)	
4	1001177465	1	Ladder	

SECTION 1 - FRAME

FIGURE 1-29. LADDER INSTALLATION - 2632ES



ART_1001178028

SECTION 1 - FRAME

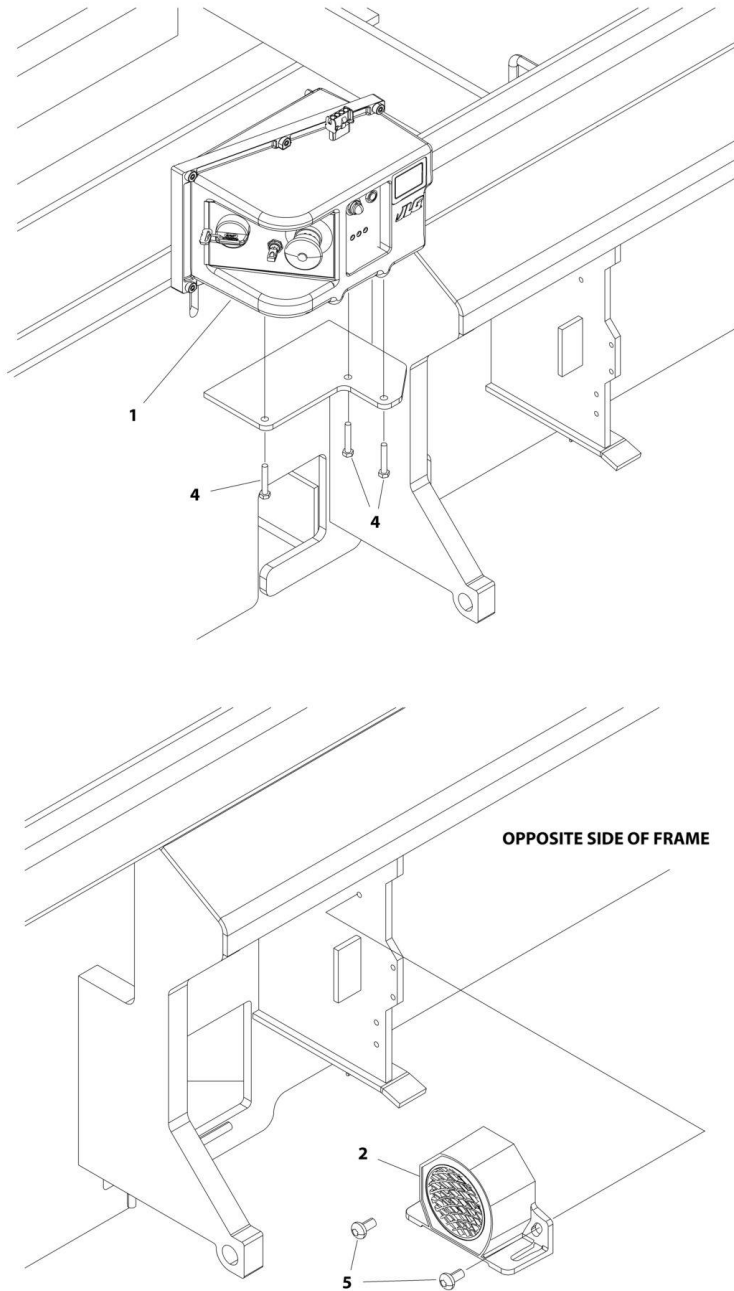
FIGURE 1-29. LADDER INSTALLATION - 2632ES

ITEM	PART NUMBER	QTY	DESCRIPTION	REV
	1001178028	Ref	LADDER INSTALLATION - 2632ES	D
1	0701017	4	Bolt M10 x 45	
2	3291005	4	Nut M10	
3	4420070	AR	Tape, Anti-Skid (SN 0200000100 through 0200252836, SN B200000100 through B200027897, SN M200000100 through M200000818)	
3	1001206758	3	Tape, Anti-Skid (SN 0200252837 to Present, SN 1200025021 to Present, SN B200027898 to Present, SN M200000819 through M200039289)	
4	1001178026	1	Ladder	

SECTION 2 - GROUND COMPONENTS

SECTION 2 - GROUND COMPONENTS

FIGURE 2-1. GROUND CONTROL BOX/ALARM INSTALLATION - NO LSS (SN 020000001 to Present, SN B200023312 to Present, SN M200000100 through M200039289)



ART_1001166823

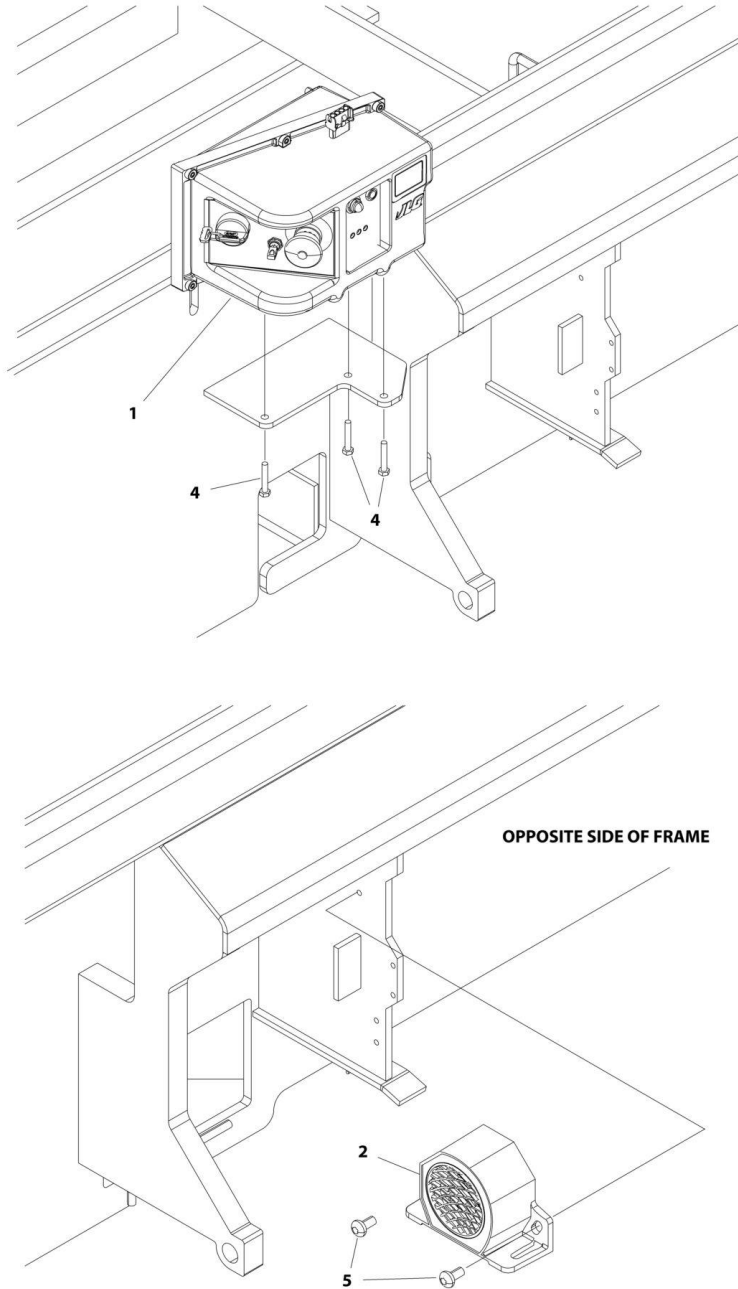
SECTION 2 - GROUND COMPONENTS

FIGURE 2-1. GROUND CONTROL BOX/ALARM INSTALLATION - NO LSS (SN 0200000001 to Present, SN B200023312 to Present, SN M200000100 through M200039289)

ITEM	PART NUMBER	QTY	DESCRIPTION	REV
	1001166823	Ref	GROUND CONTROL BOX/ALARM INSTALLATION - NO LSS	B
		Ref	Note: Standard Alarm located on LH side of operators position on machine. Optional Alarms are located on the RH side of operators position on machines. For optional alarm components, See SPECIAL OPTIONS Section.	
1	1001166194	1	Ground Control Box Assembly (See GROUND CONTROL BOX ASSEMBLY - NO LSS for Breakdown)	
2	0140043	1	Alarm	
2	4460536	1	Receptacle, Female - 3 Position	
2	4460464	3	Pin, Male	
4	0700615	3	Bolt M6 x 35	
5	4191706	2	Screw M6 x 12	

SECTION 2 - GROUND COMPONENTS

FIGURE 2-2. GROUND CONTROL BOX/ALARM INSTALLATION - NO LSS (SN B200000100 through B200023311)



ART_100114885

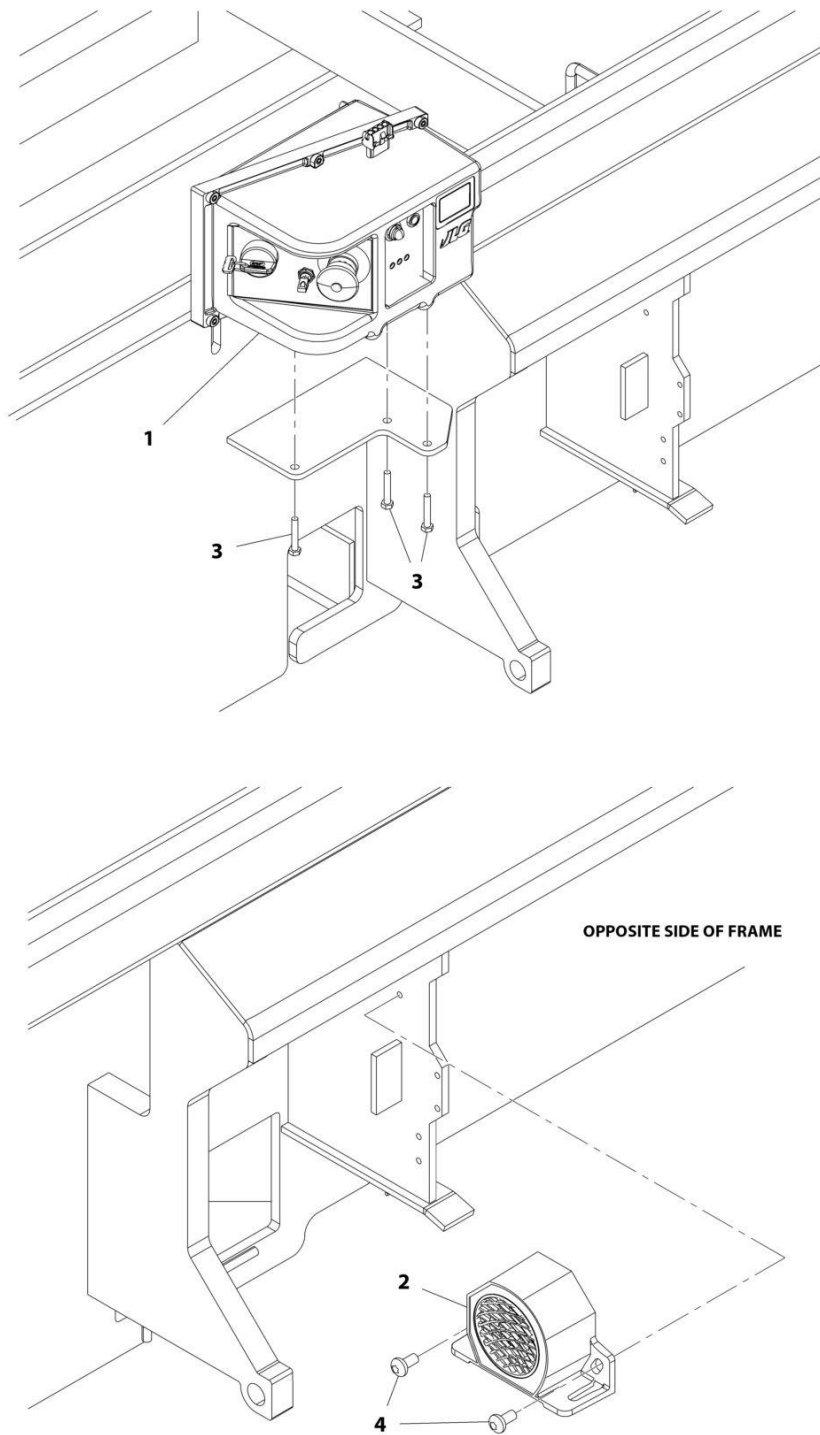
SECTION 2 - GROUND COMPONENTS

FIGURE 2-2. GROUND CONTROL BOX/ALARM INSTALLATION - NO LSS (SN B200000100 through B200023311)

ITEM	PART NUMBER	QTY	DESCRIPTION	REV
	1001114885	Ref	GROUND CONTROL BOX/ALARM INSTALLATION - NO LSS (SN B200000100 through B200023311)	A
		Ref	Note: Standard Alarm located on LH side of operators position on machine. Optional Alarms are located on the RH side of operators position on machines. For optional alarm components, See SPECIAL OPTIONS Section.	
1	1001114929	1	Ground Control Box Assembly (See GROUND CONTROL BOX ASSEMBLY - NO LSS for Breakdown)	
2	0140043	1	Alarm	
2	4460536	1	Receptacle, Female - 3 Position	
2	4460464	3	Pin, Male	
4	0700615	3	Bolt M6 x 35	
5	4191706	2	Screw M6 x 12	

SECTION 2 - GROUND COMPONENTS

FIGURE 2-3. GROUND CONTROL BOX/ALARM INSTALLATION - LSS (ALL SPECS EXCEPT CE SPEC) (SN 020000001 to Present, SN B200023312 to Present, SN M200000100 through M200039289)



ART_1001166828

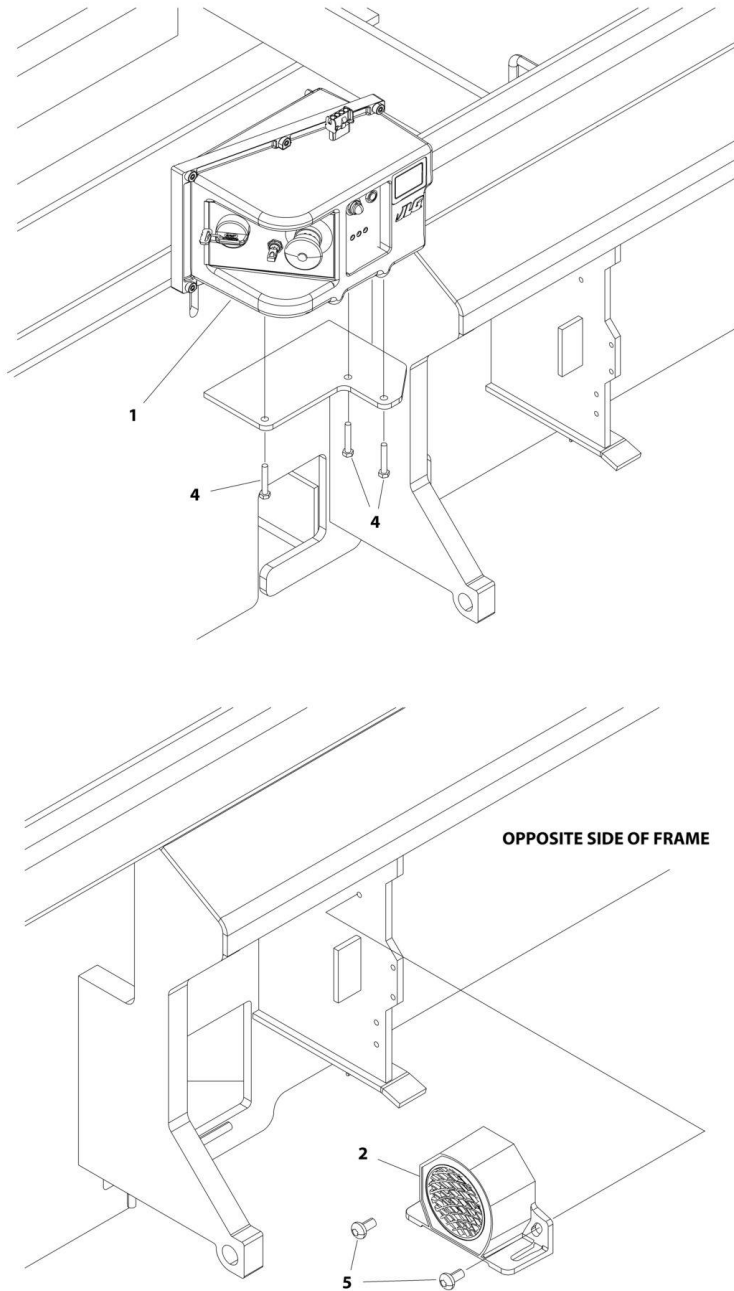
SECTION 2 - GROUND COMPONENTS

FIGURE 2-3. GROUND CONTROL BOX/ALARM INSTALLATION - LSS (ALL SPECS EXCEPT CE SPEC) (SN 0200000001 to Present, SN B200023312 to Present, SN M200000100 through M200039289)

ITEM	PART NUMBER	QTY	DESCRIPTION	REV
	1001166828	Ref	GROUND CONTROL BOX/ALARM INSTALLATION - LSS (ALL SPECS EXCEPT CE SPEC)	B
		Ref	Note: Standard Alarm located on LH side of operators position on machine. Optional Alarms are located on the RH side of operators position on machines. For optional alarm components, See SPECIAL OPTIONS Section.	
1	1001166197	1	Ground Control Box Assembly (See GROUND CONTROL BOX ASSEMBLY - LSS (ALL SPECS EXCEPT CE SPEC) for Breakdown)	
2	0140043	1	Alarm	
2	4460536	1	Receptacle - Female - 3 Position	
2	4460464	3	Pin, Male	
3	0700615	3	Bolt M6 x 35	
4	4191706	2	Screw M6 x 12	

SECTION 2 - GROUND COMPONENTS

FIGURE 2-4. GROUND CONTROL BOX/ALARM INSTALLATION - LSS (ALL SPECS EXCEPT CE SPEC) (SN B200000100 through B200023311)



ART_100114886

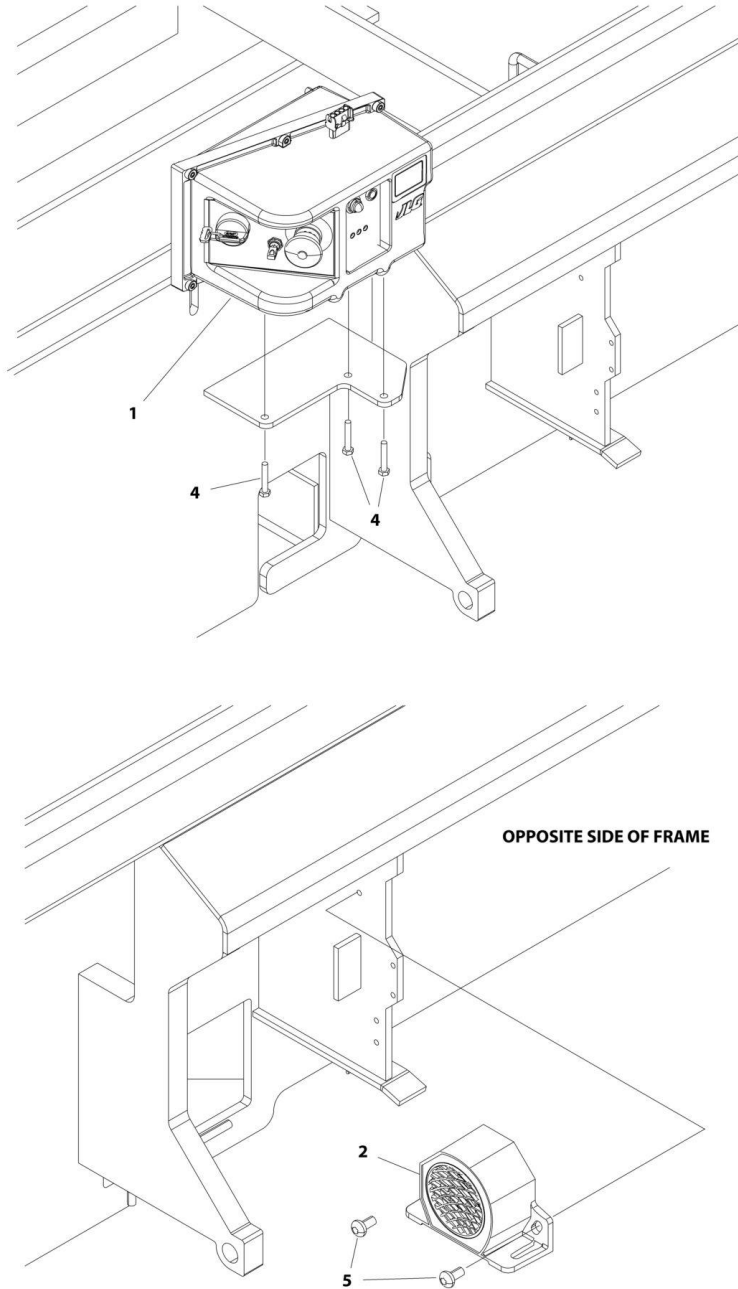
SECTION 2 - GROUND COMPONENTS

FIGURE 2-4. GROUND CONTROL BOX/ALARM INSTALLATION - LSS (ALL SPECS EXCEPT CE SPEC) (SN B200000100 through B200023311)

ITEM	PART NUMBER	QTY	DESCRIPTION	REV
	1001114886	Ref	GROUND CONTROL BOX/ALARM INSTALLATION - LSS (ALL SPECS EXCEPT CE SPEC) (SN B200000100 through B200023311) Note: Standard Alarm located on LH side of operators position on machine. Optional Alarms are located on the RH side of operators position on machines. For optional alarm components, See SPECIAL OPTIONS Section.	A
		Ref		
1	1001114932	1	Ground Control Box Assembly (See GROUND CONTROL BOX ASSEMBLY - LSS (ALL SPECS EXCEPT CE SPEC) for Breakdown)	
2	0140043	1	Alarm	
2	4460536	1	Receptacle, Female - 3 Position	
2	4460464	3	Pin, Male	
4	0700615	3	Bolt M6 x 35	
5	4191706	2	Screw M6 x 12	

SECTION 2 - GROUND COMPONENTS

FIGURE 2-5. GROUND CONTROL BOX/ALARM INSTALLATION - LSS (CE SPEC) (SN 020000001 through 0200241828)



ART_1001166825

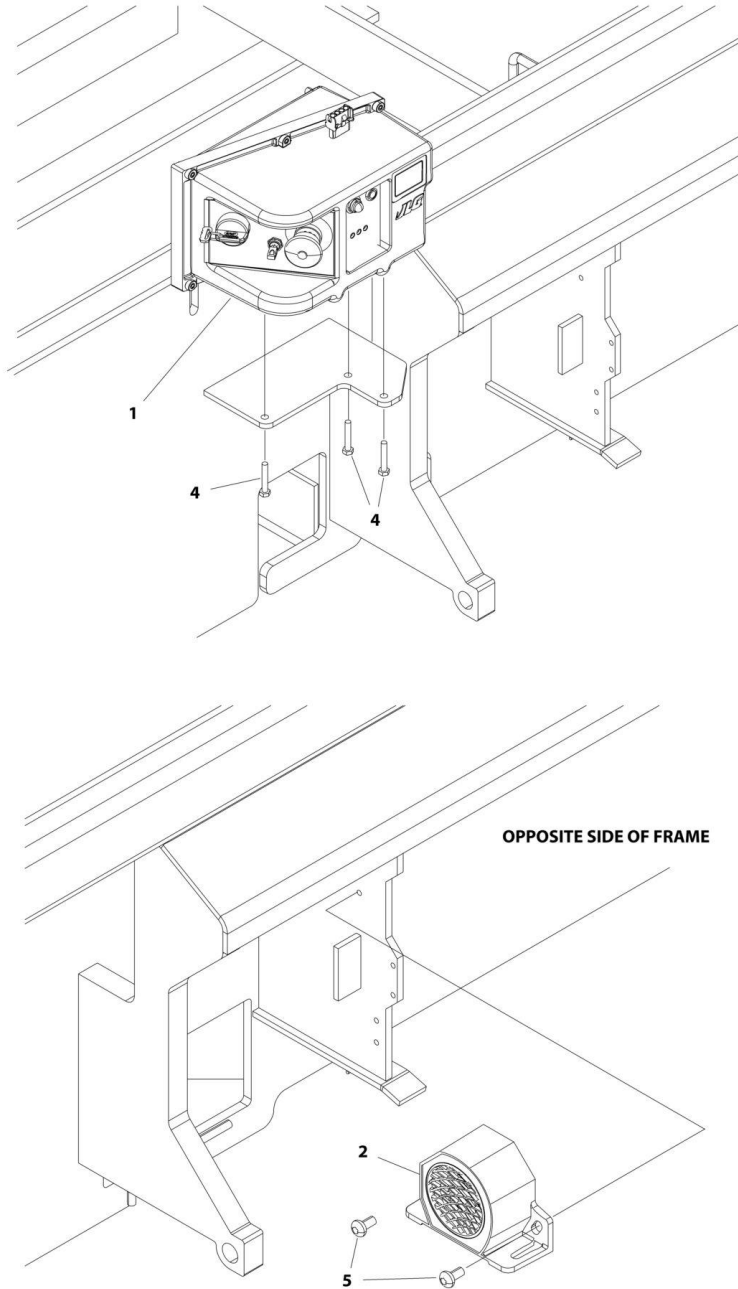
SECTION 2 - GROUND COMPONENTS

FIGURE 2-5. GROUND CONTROL BOX/ALARM INSTALLATION - LSS (CE SPEC) (SN 0200000001 through 0200241828)

ITEM	PART NUMBER	QTY	DESCRIPTION	REV
	1001166825	Ref	GROUND CONTROL BOX/ALARM INSTALLATION - LSS (CE SPEC) (SN 0200000001 through 0200241828)	B
		Ref	Note: Standard Alarm located on LH side of operators position on machine. Optional Alarms are located on the RH side of operators position on machines. For optional alarm components, See SPECIAL OPTIONS Section.	
1	1001166195	1	Ground Control Box Assembly (See GROUND CONTROL BOX ASSEMBLY - LSS (CE SPECS) for Breakdown)	
2	0140043	1	Alarm	
2	4460536	1	Receptacle, Female - 3 Position	
2	4460464	3	Pin, Male	
4	0700615	3	Bolt M6 x 35	
5	4191706	2	Screw M6 x 12	

SECTION 2 - GROUND COMPONENTS

FIGURE 2-6. GROUND CONTROL BOX/ALARM INSTALLATION - LSS (CE SPEC) (SN B200000100 through B200021650)



ART_100114925

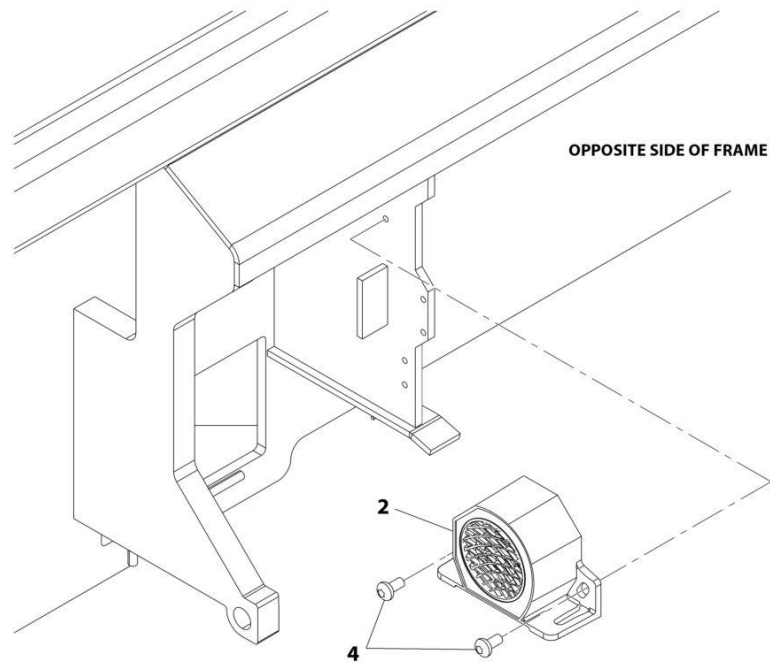
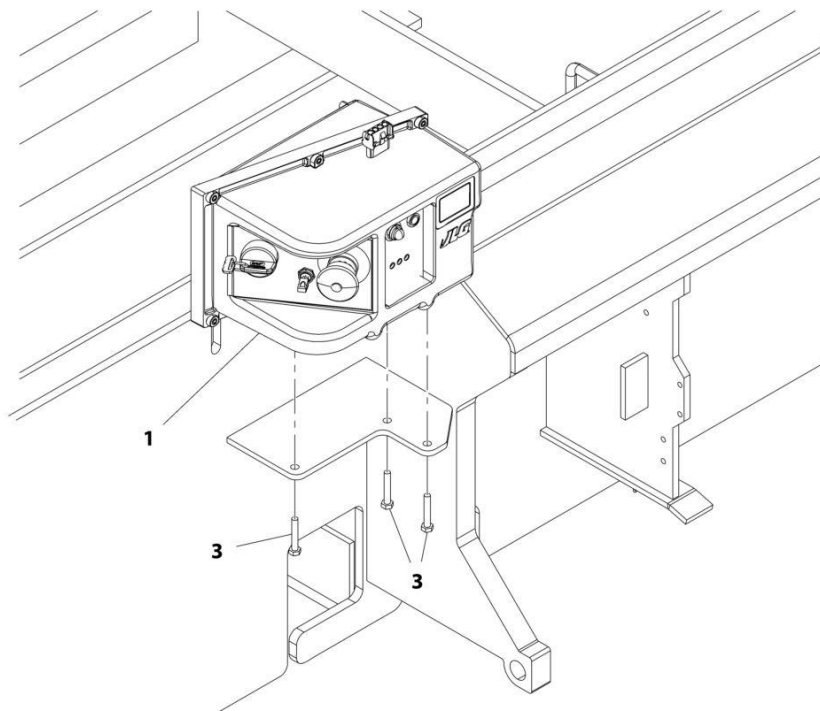
SECTION 2 - GROUND COMPONENTS

FIGURE 2-6. GROUND CONTROL BOX/ALARM INSTALLATION - LSS (CE SPEC) (SN B200000100 through B200021650)

ITEM	PART NUMBER	QTY	DESCRIPTION	REV
	1001114925	Ref	GROUND CONTROL BOX/ALARM INSTALLATION - LSS (CE SPEC) (SN B200000100 through B200021650)	A
		Ref	Note: Standard Alarm located on LH side of operators position on machine. Optional Alarms are located on the RH side of operators position on machines. For optional alarm components, See SPECIAL OPTIONS Section.	
1	1001114930	1	Ground Control Box Assembly (See GROUND CONTROL BOX ASSEMBLY - LSS (CE SPECS) for Breakdown)	
2	0140043	1	Alarm	
2	4460536	1	Receptacle, Female - 3 Position	
2	4460464	3	Pin, Male	
4	0700615	3	Bolt M6 x 35	
5	4191706	2	Screw M6 x 12	

SECTION 2 - GROUND COMPONENTS

FIGURE 2-7. GROUND CONTROL BOX/ALARM INSTALLATION - LSS (CE SPECS) (SN 0200241829 to Present, SN B200021651 to Present, SN M200000100 through M200039289)



ART_1001166828

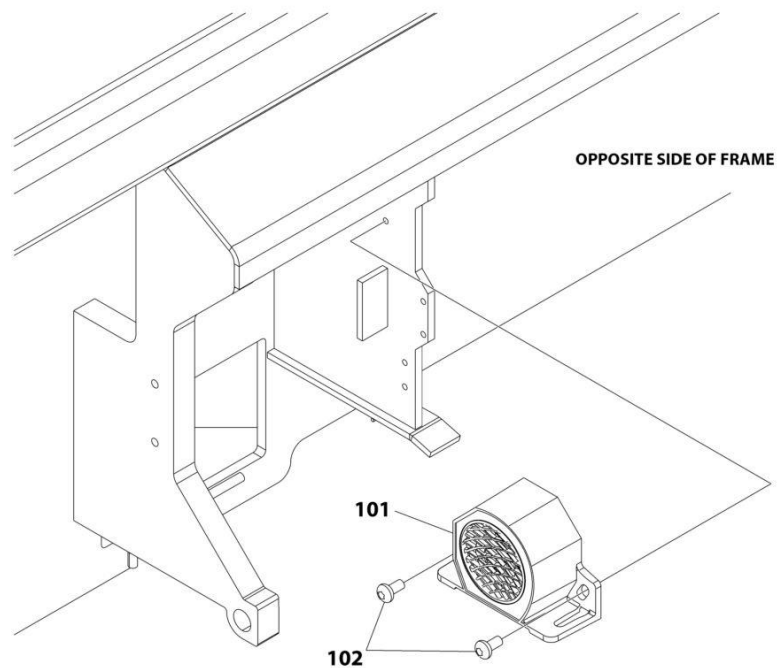
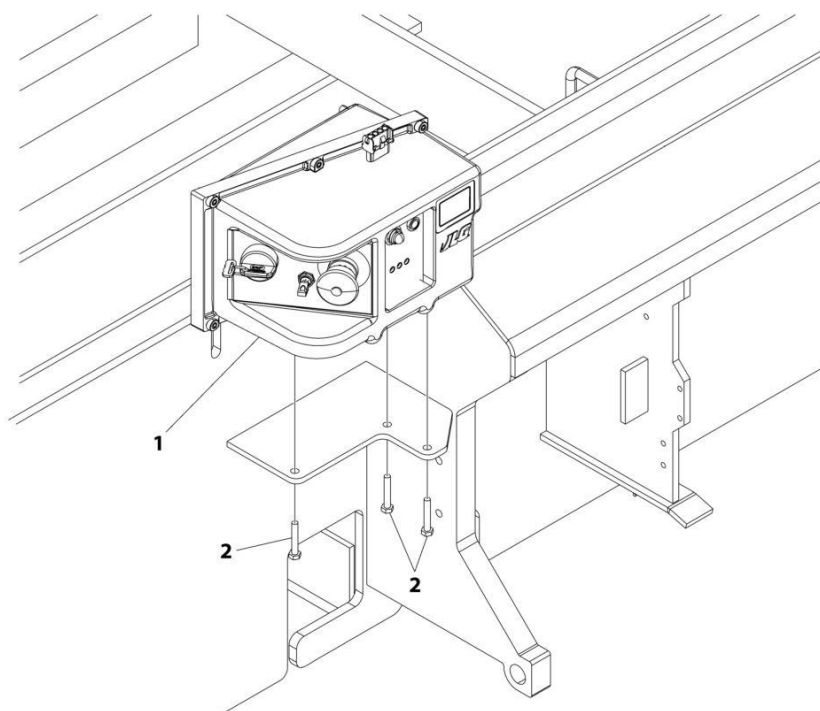
SECTION 2 - GROUND COMPONENTS

FIGURE 2-7. GROUND CONTROL BOX/ALARM INSTALLATION - LSS (CE SPECS) (SN 0200241829 to Present, SN B200021651 to Present, SN M200000100 through M200039289)

ITEM	PART NUMBER	QTY	DESCRIPTION	REV
	1001166828	Ref	GROUND CONTROL BOX/ALARM INSTALLATION - LSS (CE SPECS)	B
		Ref	Note: Standard Alarm located on LH side of operators position on machine. Optional Alarms are located on the RH side of operators position on machines. For optional alarm components, See SPECIAL OPTIONS Section.	
1	1001166197	1	Ground Control Box Assembly (See GROUND CONTROL BOX ASSEMBLY - LSS (CE SPECS) for Breakdown)	
2	0140043	1	Alarm	
2	4460536	1	Receptacle, Female - 3 Position	
2	4460464	3	Pin, Male	
3	0700615	3	Bolt M6 x 35	
4	4191706	2	Screw M6 x 12	

SECTION 2 - GROUND COMPONENTS

FIGURE 2-8. GROUND CONTROL BOX/ALARM INSTALLATION - LSS (CE SPECS) (SN 1200025021 to Present)



ART_1001215247

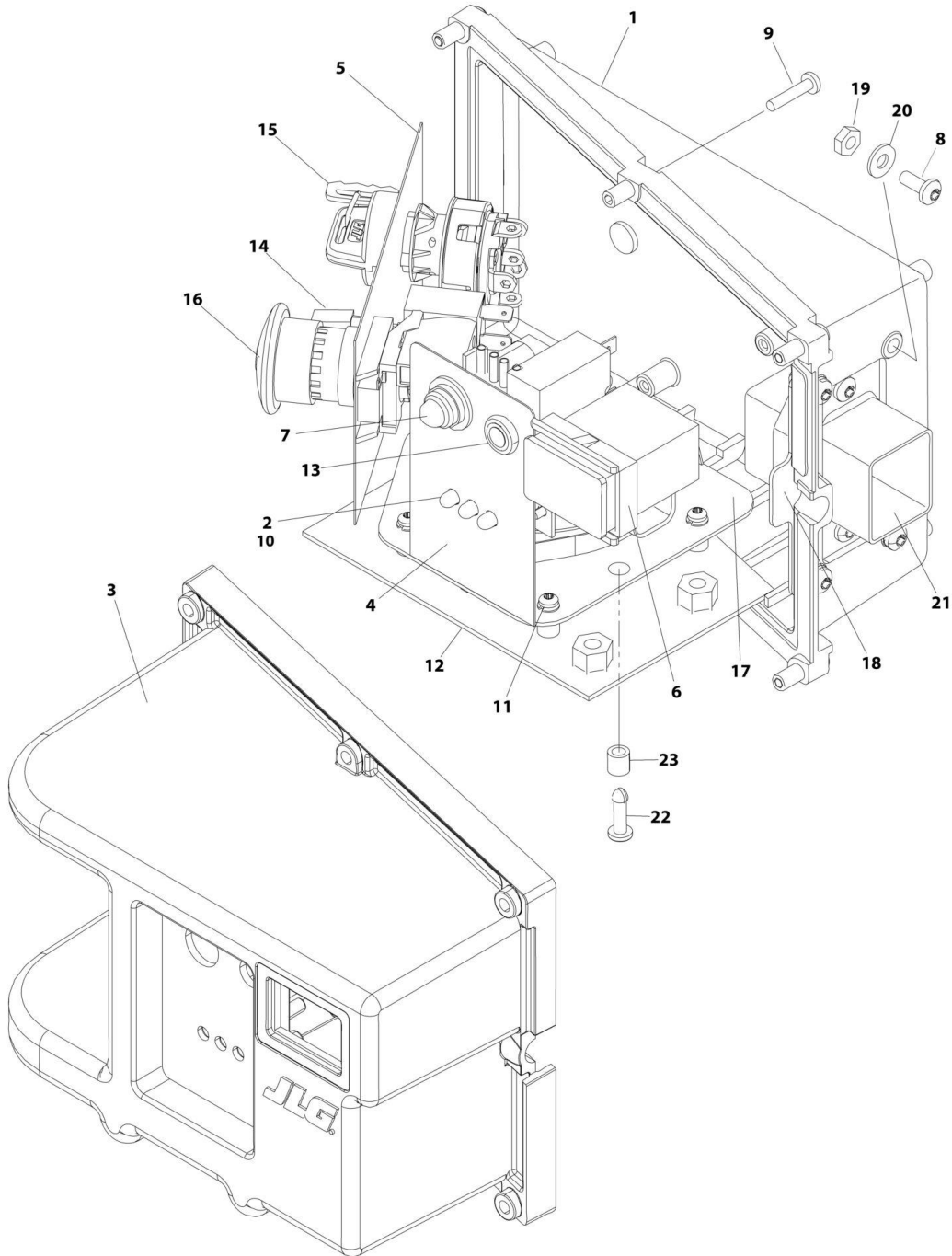
SECTION 2 - GROUND COMPONENTS

FIGURE 2-8. GROUND CONTROL BOX/ALARM INSTALLATION - LSS (CE SPECS) (SN 1200025021 to Present)

ITEM	PART NUMBER	QTY	DESCRIPTION	REV
	1001215247	Ref	GROUND CONTROL BOX/ALARM INSTALLATION - LSS (CE SPECS) (SN 1200025021 to Present)	A
1	1001166197	1	Ground Control Box Assembly (See GROUND CONTROL BOX ASSEMBLY - LSS (CE SPECS) for Breakdown)	
2	0700615	3	Bolt M6 x 35	
	1001215248	Ref	Alarm Installation (SN 1200025021 to Present)	A
101	0140043	1	Alarm	
101	4460536	1	Receptacle, Female - 3 Position	
101	4460464	3	Pin, Male	
102	4191706	2	Screw M6 x 12	

SECTION 2 - GROUND COMPONENTS

FIGURE 2-9. GROUND CONTROL BOX ASSEMBLY - NO LSS (SN 020000001 to Present, SN B200023312 to Present, SN M200000100 through M200039289)



ART_1001166194

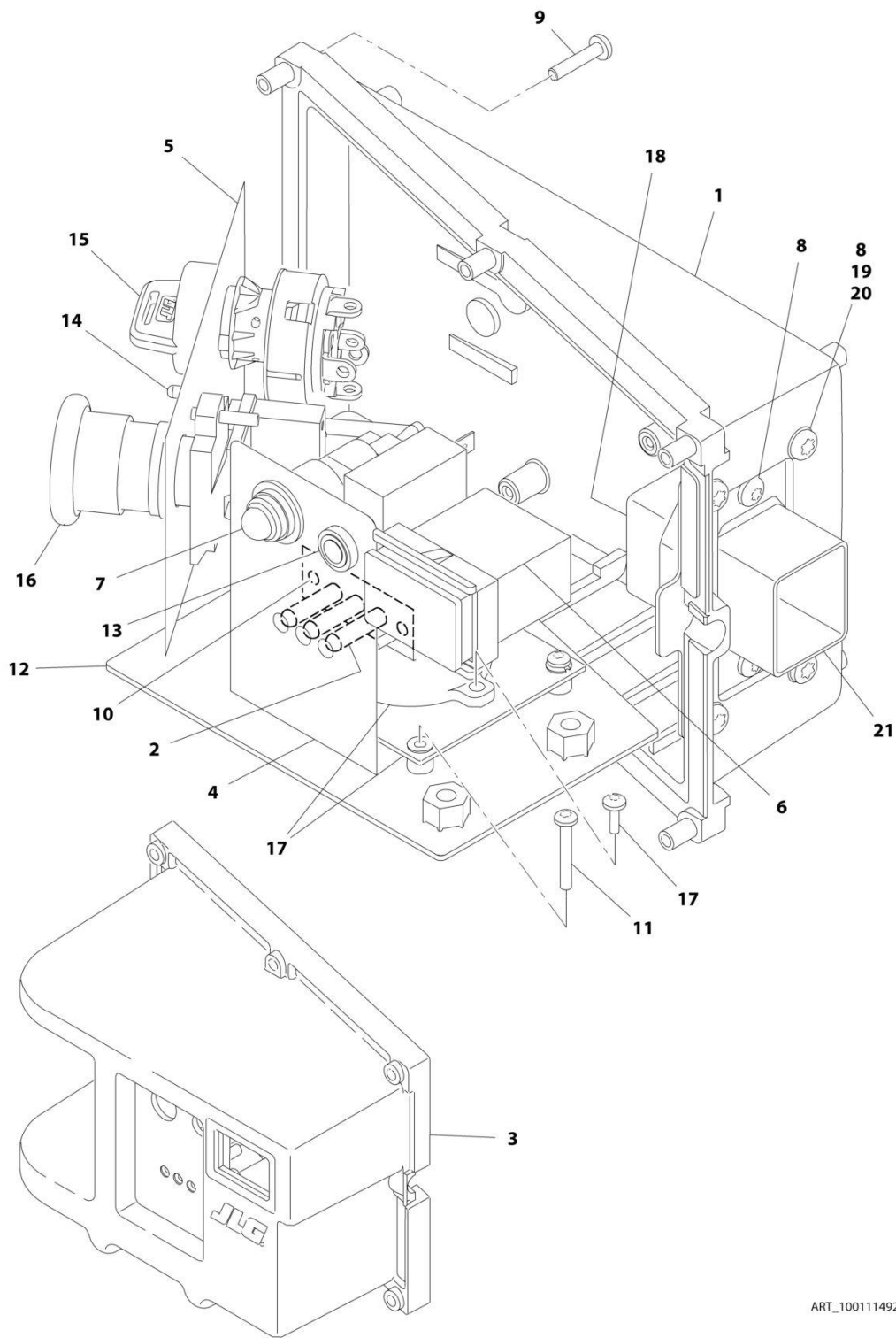
SECTION 2 - GROUND COMPONENTS

FIGURE 2-9. GROUND CONTROL BOX ASSEMBLY - NO LSS (SN 020000001 to Present, SN B200023312 to Present, SN M200000100 through M200039289)

ITEM	PART NUMBER	QTY	DESCRIPTION	REV
	1001166194	Ref	GROUND CONTROL BOX ASSEMBLY - NO LSS	I
1	0380025	1	Base, Box	
2	0610161	1	PC Board, Charger LED	
2	4460321	1	Plug, Male - 4 Position	
2	4460268	3	Socket, Female	
3	1671105	1	Cover	
4	1705696	1	Decal	
5	1705698	1	Decal	
6	2420172	1	Hourmeter	
7	3520193	1	Plug	
8	3900336	6	Screw	
9	3900338	6	Screw	
10	3900339	2	Screw	
11	1001180090	4	Screw M3.5 x 20	
12	1001165315	1	Support	
13	4360069	1	Breaker, Circuit 10A	
14	4360328	1	Switch, Toggle	
15	4360469	1	Switch, Key	
15	2860030	1	Key, Replacement	
16	4360475	1	Switch, Emergency Stop	
16	7020175	1	Cap	
16	7020176	1	Block, Contact	
17	1001166255	1	Sensor, Tilt (Includes Sensor, Mounting Plate and Hardware)	
17	3931412	3	Screw 1/4 x 3/4	
17	1001163095	1	Sensor	
17	1001165316	1	Mount, Sensor	
17	1001166776	4	Mount, Standoff	
18	1001114937	1	Mount, Harness	
19	3321005	4	Nut #10-32	
20	4751000	4	Washer #10	
21	1001167256	1	Harness, Ground Control Box (See ELECTRICAL SECTION for Breakdown) (SN 0200239382 through 0200266379, SN B200020297 through B200042924, SN M200000100 through M200012164)	
21	1001208641	1	Harness, Ground Control Box (See ELECTRICAL SECTION for Breakdown) (SN 0200266380 to Present, SN B200042925 to Present, SN M200012165 through M200039289)	
22	1001165284	1	Fastener	
23	1001165286	1	Spacer	

SECTION 2 - GROUND COMPONENTS

FIGURE 2-10. GROUND CONTROL BOX ASSEMBLY - NO LSS (SN B200000100 through B200023311)



ART_1001114929

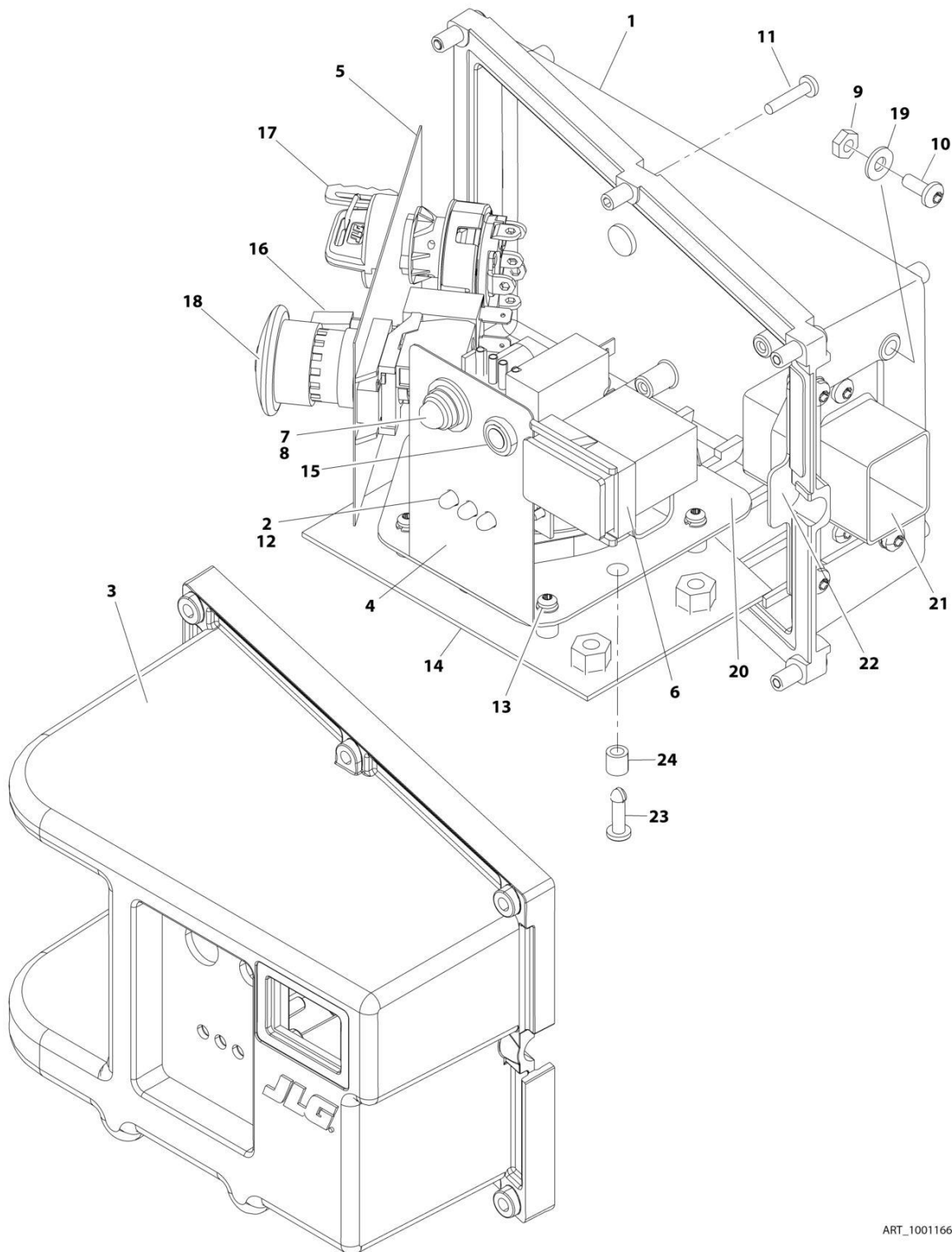
SECTION 2 - GROUND COMPONENTS

FIGURE 2-10. GROUND CONTROL BOX ASSEMBLY - NO LSS (SN B200000100 through B200023311)

ITEM	PART NUMBER	QTY	DESCRIPTION	REV
	1001114929	Ref	GROUND CONTROL BOX ASSEMBLY - NO LSS (SN B200000100 through B200023311)	A
1	0380025	1	Box, Ground Control	
2	0610161	1	Board, PC (Battery Charger LED)	
3	1671105	1	Cover, Front	
4	1705696	1	Decal - LED	
5	1705698	1	Decal - Function	
6	2420172	1	Hourmeter	
7	3520193	1	Plug	
8	3900336	6	Screw #10-32 x 1/2	
9	3900338	6	Screw M4 x 20	
10	3900339	2	Screw #6 x 1/2	
11	3900356	4	Screw M3.5 x 16	
12	4340739	1	Plate, Mounting	
13	4360069	1	Breaker, Circuit - 10Amp	
14	4360328	1	Switch, Toggle	
15	4360469	1	Switch, Key	
15	2860030	1	Key, Replacement (Fits All Specs)	
16	4360475	1	Switch, Emergency Stop	
16	7020175	1	Cap	
16	7020176	1	Block, Contact	
17	1001114933	NLA	Module, Tilt (Includes Module, Mounting Plate and Hardware) (Use p/n 1001169392)	
18	1001114937	1	Mount, Harness Bulkhead (Ground Control)	
19	3321005	4	Nut #10-32	
20	4751000	4	Washer #10	
21	1001114935	1	Harness, Control Box (See ELECTRICAL SECTION for Breakdown)	

SECTION 2 - GROUND COMPONENTS

FIGURE 2-11. GROUND CONTROL BOX ASSEMBLY - LSS (ALL SPECS EXCEPT CE SPEC) (SN 020000001 to Present, SN B200023312 to Present, SN M200000100 through M200039289)



ART_1001166197

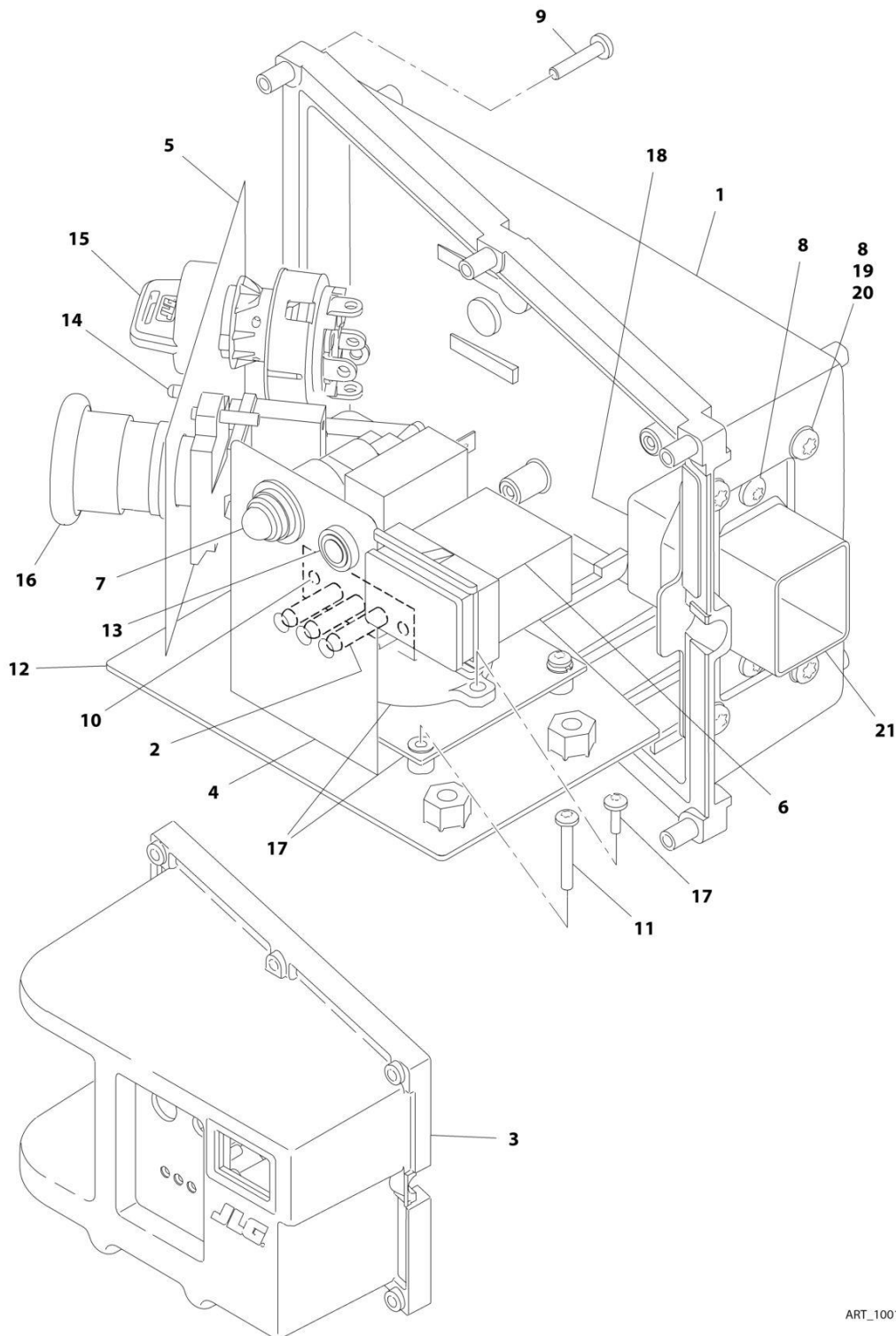
SECTION 2 - GROUND COMPONENTS

FIGURE 2-11. GROUND CONTROL BOX ASSEMBLY - LSS (ALL SPECS EXCEPT CE SPEC) (SN 020000001 to Present, SN B200023312 to Present, SN M200000100 through M200039289)

ITEM	PART NUMBER	QTY	DESCRIPTION	REV
	1001166197	Ref	GROUND CONTROL BOX ASSEMBLY - LSS (CE SPEC)	F
1	0380025	1	Base, Box	
2	0610161	1	PC Board, Charger LED	
2	4460321	1	Plug, Male - 4 Position	
2	4460268	3	Socket, Female	
3	1671105	1	Cover	
4	1705697	1	Decal	
5	1705698	1	Decal	
6	2420172	1	Hourmeter	
7	2920026	1	Lamp	
8	2920094	1	Bulb	
9	3321005	4	Nut #10-32	
10	3900336	6	Screw	
11	3900338	6	Screw	
12	3900339	2	Screw	
13	1001180090	4	Screw M3.5 x 20	
14	1001165315	1	Support	
15	4360069	1	Breaker, Circuit 10Amp	
16	4360328	1	Switch, Toggle	
17	4360469	1	Switch, Key	
17	2860030	1	Key, Replacement	
18	4360475	1	Switch, Emergency Stop	
18	7020175	1	Cap	
18	7020176	1	Block, Contact	
19	4751000	4	Washer #10	
20	1001166255	1	Sensor, Tilt (Includes Sensor, Mounting Plate and Hardware)	
20	3931412	3	Screw 1/4 x 3/4	
20	1001163095	1	Sensor	
20	1001165316	1	Mount, Sensor	
20	1001166776	4	Mount, Standoff	
21	1001167256	1	Harness, Ground Control Box (See ELECTRICAL SECTION for Breakdown)	
22	1001114937	1	Mount, Harness	
23	1001165284	1	Fastener	
24	1001165286	1	Spacer	

SECTION 2 - GROUND COMPONENTS

FIGURE 2-12. GROUND CONTROL BOX ASSEMBLY - LSS (ALL SPECS EXCEPT CE SPEC) (SN B200000100 through B200023311)



ART_1001114932

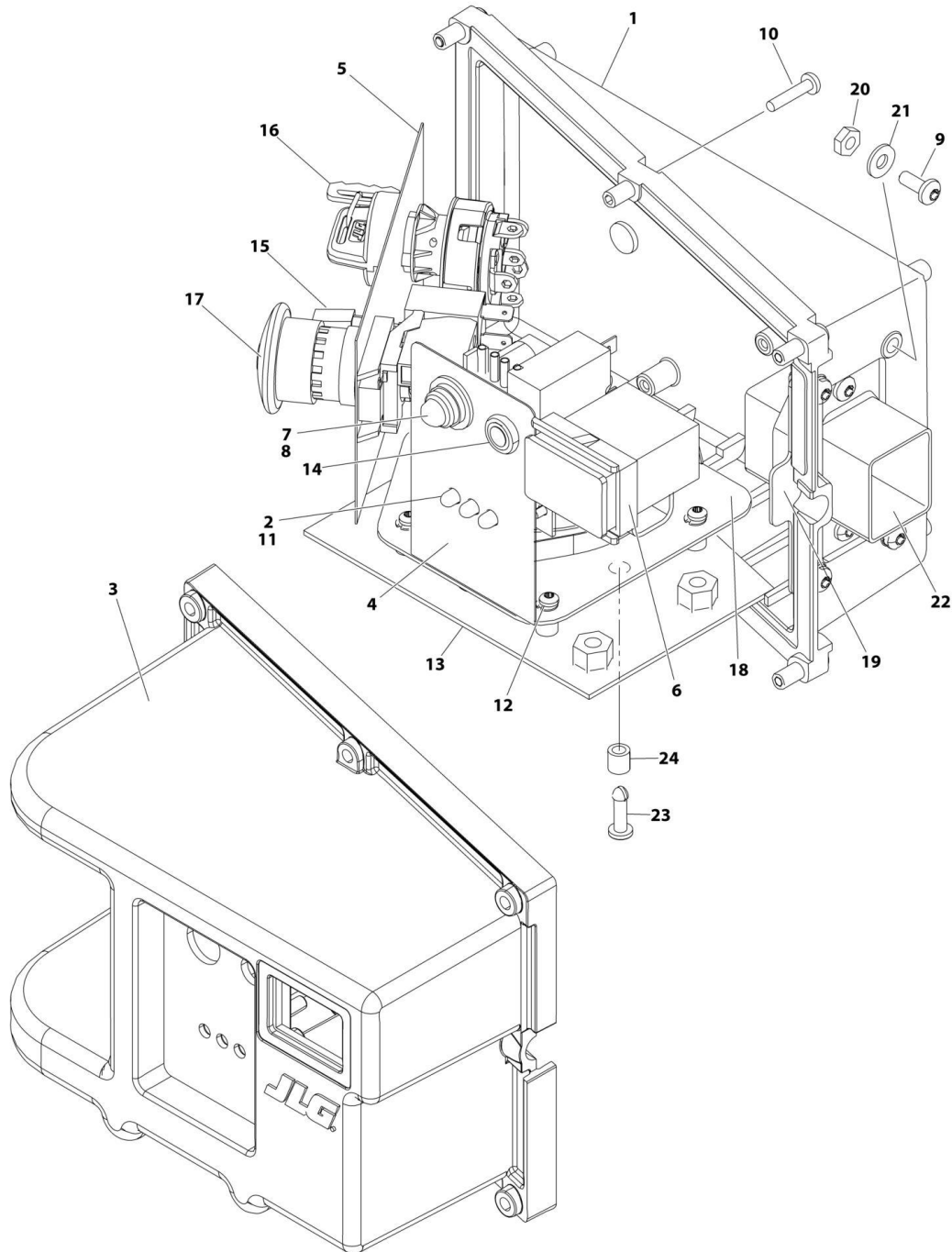
SECTION 2 - GROUND COMPONENTS

FIGURE 2-12. GROUND CONTROL BOX ASSEMBLY - LSS (ALL SPECS EXCEPT CE SPEC) (SN B200000100 through B200023311)

ITEM	PART NUMBER	QTY	DESCRIPTION	REV
	1001114932	Ref	GROUND CONTROL BOX ASSEMBLY - LSS (ALL SPECS EXCEPT CE SPEC) (SN B200000100 through B200023311)	B
1	0380025	1	Box, Ground Control	
2	0610161	1	Board, PC (Battery Charger LED)	
3	1671105	1	Cover, Front	
4	1705697	1	Decal - LED	
5	1705698	1	Decal - Function	
6	2420172	1	Hourmeter	
7	2920026	1	Lamp	
7	2920094	AR	Bulb	
8	3900336	6	Screw #10-32NF x 1/2	
9	3900338	6	Screw M4 x 20	
10	3900339	2	Screw #6 x 1/2	
11	3900356	4	Screw M3.5 x 16	
12	4340739	1	Plate, Mounting	
13	4360069	1	Breaker, Circuit - 10Amp	
14	4360328	1	Switch, Toggle	
15	4360469	1	Switch, Key	
15	2860030	1	Key, Replacement (Fits All Specs)	
16	4360475	1	Switch, Emergency Stop	
16	7020175	1	Cap	
16	7020176	1	Block, Contact	
17	1001114933	NLA	Module, Tilt (Includes Module, Mounting Plate and Hardware) (Use p/n 1001169392)	
18	1001114937	1	Mount, Harness Bulkhead (Ground Control)	
19	3321005	4	Nut #10-32NF	
20	4751000	4	Washer #10	
21	1001114935	1	Harness, Control Box (See ELECTRICAL SECTION for Breakdown)	

SECTION 2 - GROUND COMPONENTS

FIGURE 2-13. GROUND CONTROL BOX ASSEMBLY - LSS (CE SPECS) (SN 020000001 through 0200241828)



ART_1001166195

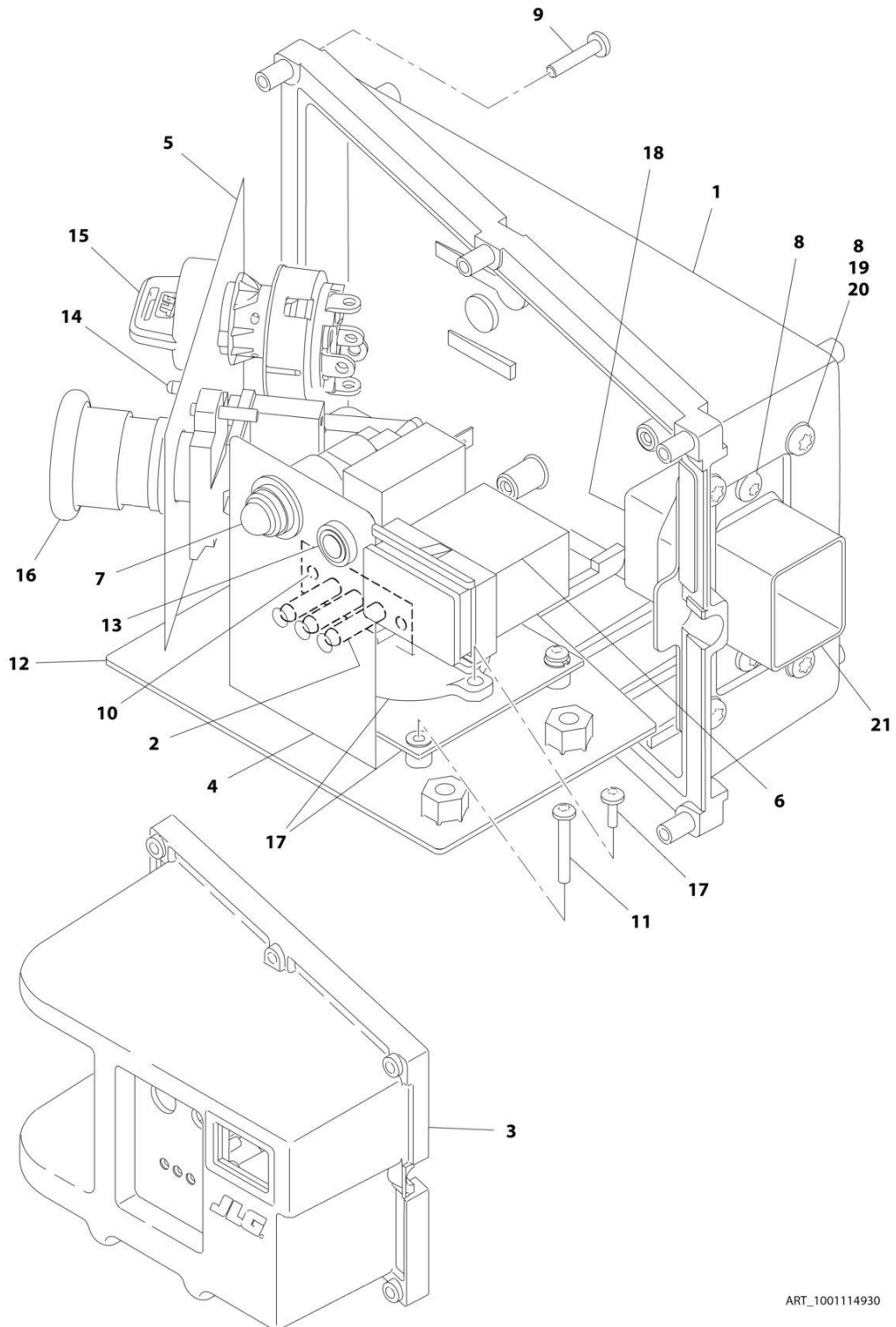
SECTION 2 - GROUND COMPONENTS

FIGURE 2-13. GROUND CONTROL BOX ASSEMBLY - LSS (CE SPECS) (SN 0200000001 through 0200241828)

ITEM	PART NUMBER	QTY	DESCRIPTION	REV
	1001166195	Ref	GROUND CONTROL BOX ASSEMBLY - LSS (CE SPECS) (SN 0200000001 through 0200241828)	G
1	0380025	1	Base, Box	
2	0610161	1	PC Board, Charger LED	
2	4460321	1	Plug, Male - 4 Position	
2	4460268	3	Socket, Female	
3	1671105	1	Cover	
4	1705697	1	Decal	
5	1705698	1	Decal	
6	2420172	1	Hourmeter	
7	2920026	1	Lamp	
8	2920094	1	Bulb	
9	3900336	6	Screw	
10	3900338	6	Screw	
11	3900339	2	Screw	
12	1001180090	4	Screw M3.5 x 20	
13	1001165315	1	Support	
14	4360069	1	Breaker, Circuit 10Amp	
15	4360328	1	Switch, Toggle	
16	4360470	1	Switch, Key	
16	2860030	1	Key, Replacement	
17	4360475	1	Switch, Emergency Stop	
17	7020175	1	Cap	
17	7020176	1	Block, Contact	
18	1001166255	1	Sensor, Tilt (Includes Sensor, Mounting Plate and Hardware)	
18	3931412	3	Screw 1/4 x 3/4	
18	1001163095	1	Sensor	
18	1001165316	1	Mount, Sensor	
18	1001166776	4	Mount, Standoff	
19	1001114937	1	Mount, Harness	
20	3321005	4	Nut #10-32	
21	4751000	4	Washer #10	
22	1001167256	1	Harness, Ground Control Box (See ELECTRICAL SECTION for Breakdown)	
23	1001165284	1	Fastener	
24	1001165286	1	Spacer	

SECTION 2 - GROUND COMPONENTS

FIGURE 2-14. GROUND CONTROL BOX ASSEMBLY - LSS (CE SPECS) (SN B200000100 through B200021650)



ART_1001114930

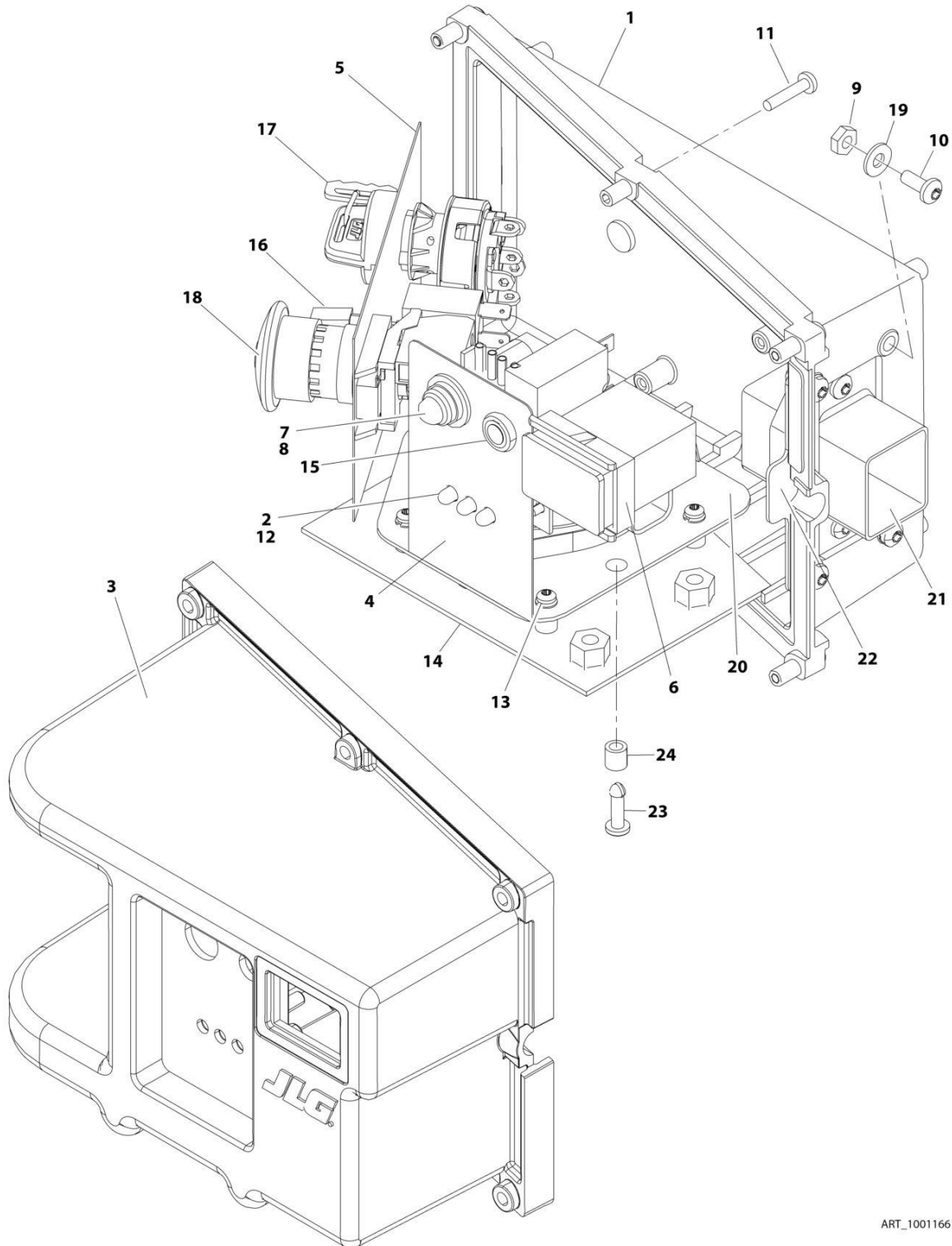
SECTION 2 - GROUND COMPONENTS

FIGURE 2-14. GROUND CONTROL BOX ASSEMBLY - LSS (CE SPECS) (SN B200000100 through B200021650)

ITEM	PART NUMBER	QTY	DESCRIPTION	REV
	1001114930	Ref	GROUND CONTROL BOX ASSEMBLY - LSS (CE SPECS) (SN B200000100 through B200021650)	B
1	0380025	1	Box, Ground Control	
2	0610161	1	Board, PC (Battery Charger LED)	
3	1671105	1	Cover, Front	
4	1705697	1	Decal - LED	
5	1705698	1	Decal - Function	
6	2420172	1	Hourmeter	
7	2920026	1	Lamp	
7	2920094	AR	Bulb	
8	3900336	6	Screw #10-32 x 1/2	
9	3900338	6	Screw M4 x 20	
10	3900339	2	Screw #6 x 1/2	
11	3900356	4	Screw M3.5 x 16	
12	4340739	1	Plate, Mounting	
13	4360069	1	Breaker, Circuit - 10Amp	
14	4360328	1	Switch, Toggle	
15	4360470	1	Switch, Key	
15	2860030	1	Key, Replacement (Fits All Specs)	
16	4360475	1	Switch, Emergency Stop	
16	7020175	1	Cap	
16	7020176	1	Block, Contact	
17	1001114933	NLA	Module, Tilt (Includes Module, Mounting Plate and Hardware) (Use p/n 1001169392)	
18	1001114937	1	Mount, Harness Bulkhead (Ground Control)	
19	3321005	4	Nut #10-32	
20	4751000	4	Washer #10	
21	1001114935	1	Harness, Control Box (See ELECTRICAL SECTION for Breakdown)	

SECTION 2 - GROUND COMPONENTS

FIGURE 2-15. GROUND CONTROL BOX ASSEMBLY - LSS (CE SPECS) (SN 0200241829 to Present, SN B200021651 to Present, SN M200000100 through M200039289)



ART_1001166197

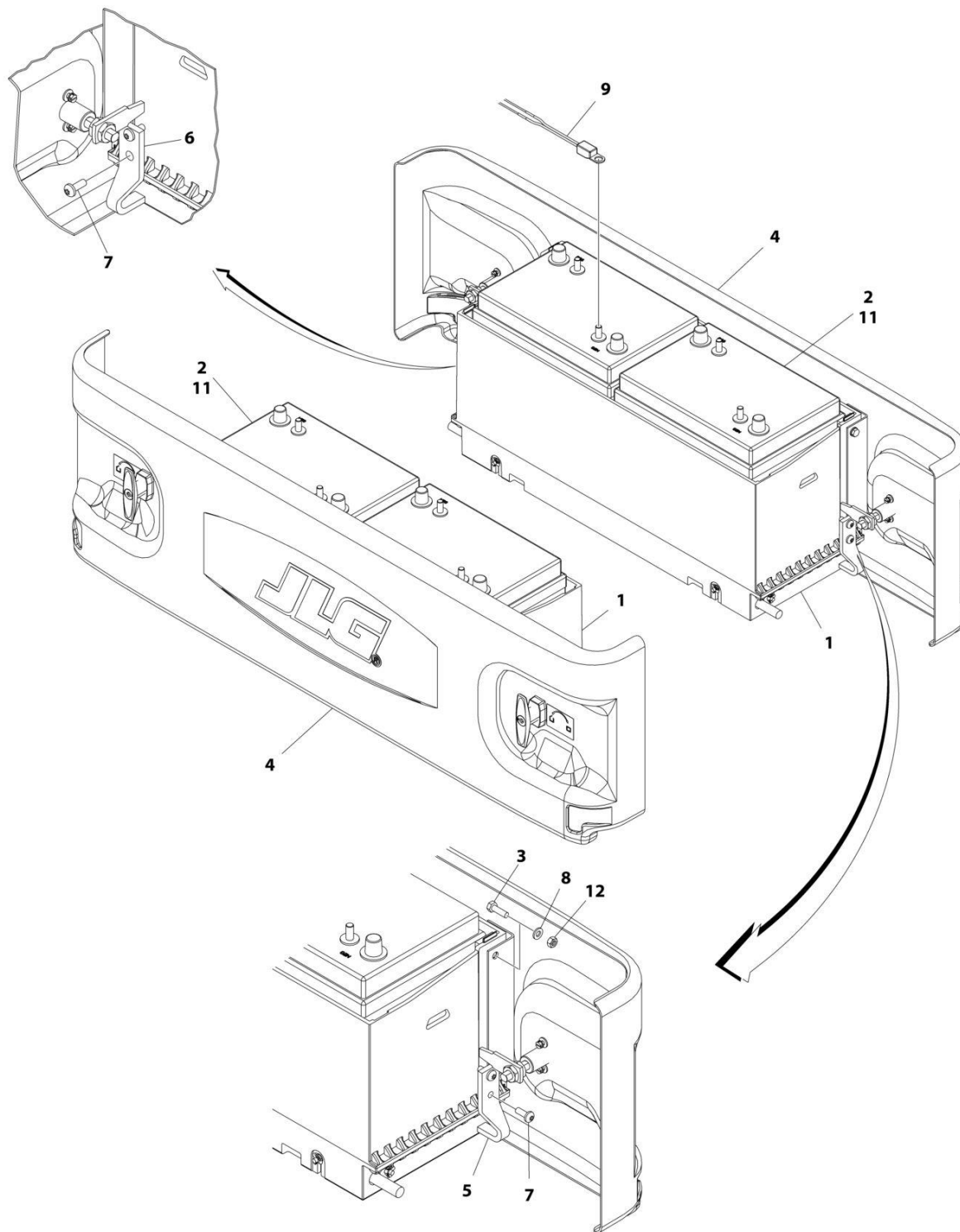
SECTION 2 - GROUND COMPONENTS

**FIGURE 2-15. GROUND CONTROL BOX ASSEMBLY - LSS (CE SPECS) (SN 0200241829 to Present,
SN B200021651 to Present, SN M200000100 through M200039289)**

ITEM	PART NUMBER	QTY	DESCRIPTION	REV
	1001166197	Ref	GROUND CONTROL BOX ASSEMBLY - LSS (CE SPECS)	F
1	0380025	1	Base, Box	
2	0610161	1	PC Board, Charger LED	
2	4460321	1	Plug, Male - 4 Position	
2	4460268	3	Socket, Female	
3	1671105	1	Cover	
4	1705697	1	Decal	
5	1705698	1	Decal	
6	2420172	1	Hourmeter	
7	2920026	1	Lamp	
8	2920094	1	Bulb	
9	3321005	4	Nut #10-32	
10	3900336	6	Screw	
11	3900338	6	Screw	
12	3900339	2	Screw	
13	1001180090	4	Screw M3.5 x 20	
14	1001165315	1	Support	
15	4360069	1	Breaker, Circuit 10Amp	
16	4360328	1	Switch, Toggle	
17	4360469	1	Switch, Key	
17	2860030	1	Key, Replacement	
18	4360475	1	Switch, Emergency Stop	
18	7020175	1	Cap	
18	7020176	1	Block, Contact	
19	4751000	4	Washer #10	
20	1001166255	1	Sensor, Tilt (Includes Sensor, Mounting Plate and Hardware)	
20	3931412	3	Screw 1/4 x 3/4	
20	1001163095	1	Sensor	
20	1001165316	1	Mount, Sensor	
20	1001166776	4	Mount, Standoff	
21	1001167256	1	Harness, Ground Control Box (See ELECTRICAL SECTION for Breakdown)	
22	1001114937	1	Mount, Harness	
23	1001165284	1	Fastener	
24	1001165286	1	Spacer	

SECTION 2 - GROUND COMPONENTS

FIGURE 2-16. BATTERIES INSTALLATION - AGM AND EVG TYPE - 225 AH RATING (NON-LOCKING COVERS)



ART_0275401

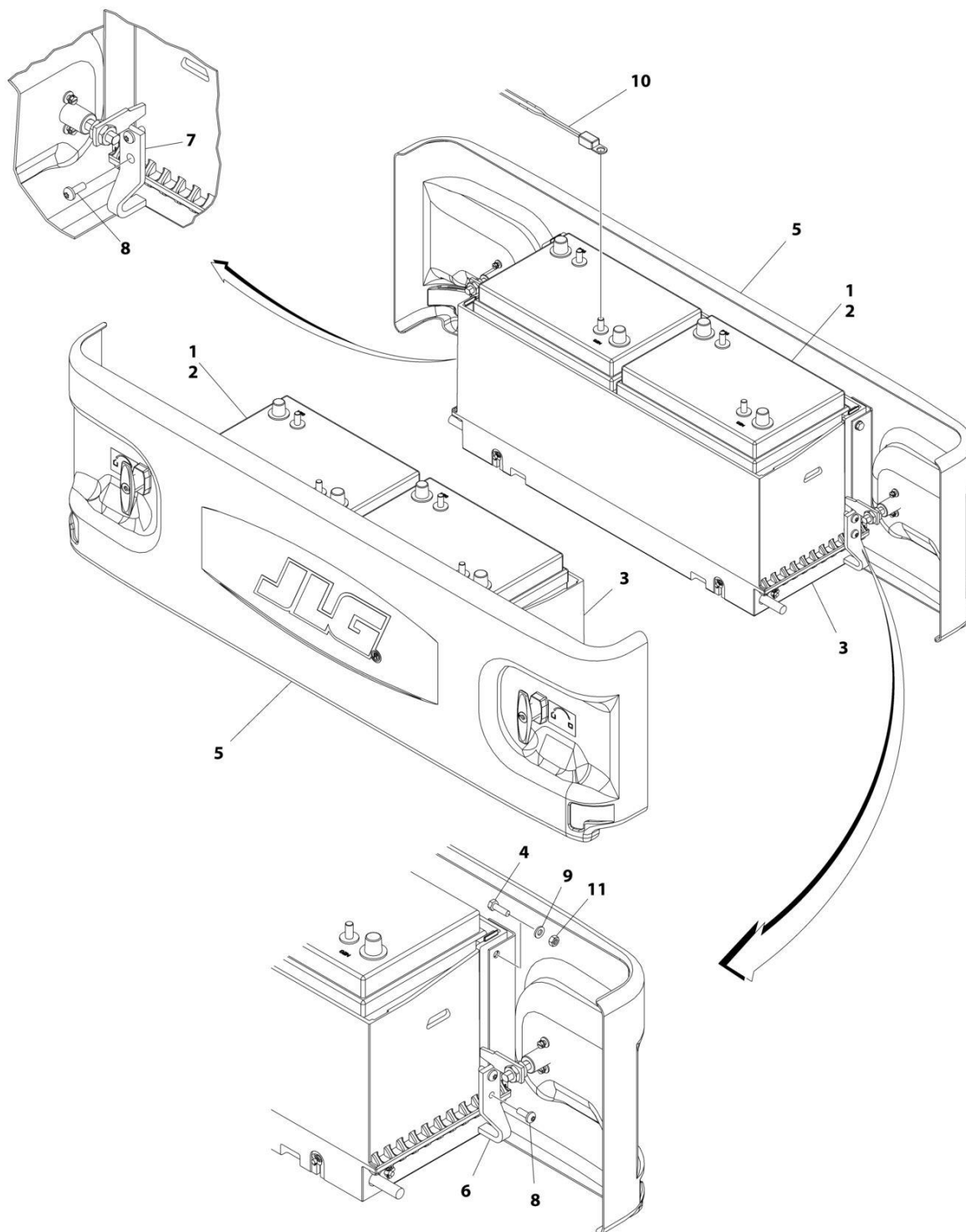
SECTION 2 - GROUND COMPONENTS

FIGURE 2-16. BATTERIES INSTALLATION - AGM AND EVG TYPE - 225 AH RATING (NON-LOCKING COVERS)

ITEM	PART NUMBER	QTY	DESCRIPTION	REV
	0275401	Ref	BATTERIES INSTALLATION - AGM AND EVG TYPE - 225 AH RATING (NON-LOCKING COVERS)	F
1	0273698	2	Tray Assembly (See BATTERY TRAY ASSEMBLY - NON UL for Breakdown)	
2	1001112112	4	Battery Type EVGC6A-A	
3	0760610	8	Bolt M6 x 20	
3	1001100451	8	Bolt M6 x 20	
4	1671202	2	Cover Assembly (See BATTERY COVER ASSEMBLY - NON-LOCKING for Breakdown)	
5	3574981	2	Plate, Slide Stop (LH)	
6	3574984	2	Plate, Slide Stop (RH)	
7	4191707	8	Screw M6 x 16	
8	4811700	8	Washer M6	
9	1001112113	1	Sensor, Temperature (SN 0200000100 through 0200266434, SN 1200000100 through 1200027658, SN B200000100 through B200045242, SN M200000100 through M200014371)	
11	0100051	AR	Grease, Terminal	
12	3290605	8	Nut M6	

SECTION 2 - GROUND COMPONENTS

FIGURE 2-17. BATTERIES INSTALLATION - AGM AND EVG TYPE - 225 AH RATING (NON-UL LOCKING COVERS)



ART_1001132233

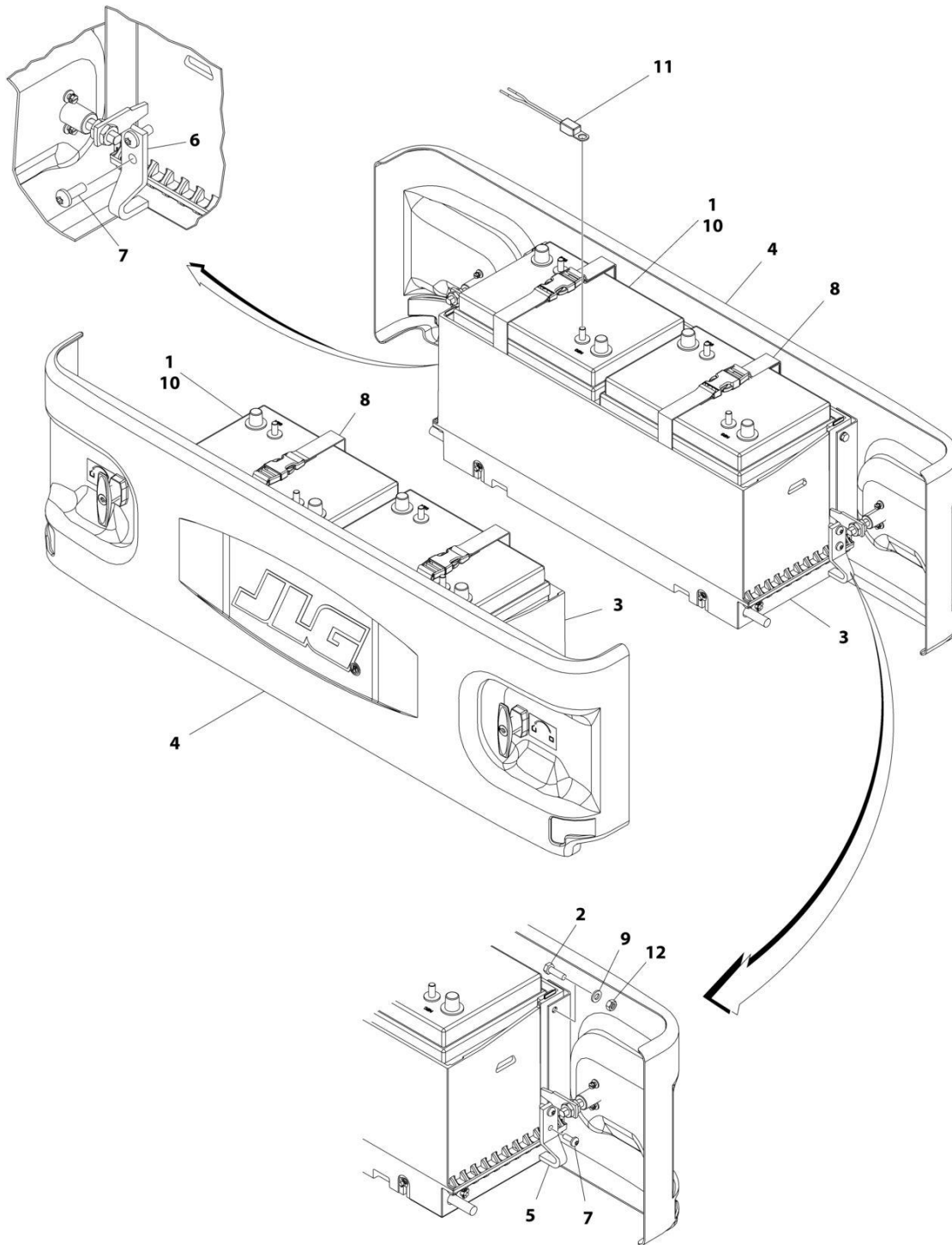
SECTION 2 - GROUND COMPONENTS

FIGURE 2-17. BATTERIES INSTALLATION - AGM AND EVG TYPE - 225 AH RATING (NON-UL LOCKING COVERS)

ITEM	PART NUMBER	QTY	DESCRIPTION	REV
	1001132233	Ref	BATTERIES INSTALLATION - AGM AND EVG TYPE - 225 AH RATING (NON-UL LOCKING COVERS)	D
1	0100051	AR	Grease, Terminal	
2	1001112112	4	Battery Type EVGC6A-A	
3	0273698	2	Tray Assembly (See BATTERY TRAY ASSEMBLY - NON UL for Breakdown)	
4	0760610	8	Bolt M6 x 20	
4	1001100451	8	Bolt M6 x 20	
5	1671204	2	Cover Assembly (See BATTERY COVER ASSEMBLY - LOCKING for Breakdown)	
6	3574981	2	Plate, Slide Stop (LH)	
7	3574984	2	Plate, Slide Stop (RH)	
8	4191707	8	Screw M6 x 16	
9	4811700	8	Washer M6	
10	1001112113	1	Sensor, Temperature (SN 0200000100 through 0200266434, SN 1200000100 through 1200027658, SN B200000100 through B200045242, SN M200000100 through M200014371)	
11	3290605	8	Nut M6	

SECTION 2 - GROUND COMPONENTS

FIGURE 2-18. BATTERIES INSTALLATION - AGM AND EVG TYPE - 225 AH RATING (UL LOCKING COVERS)



ART_1001159192

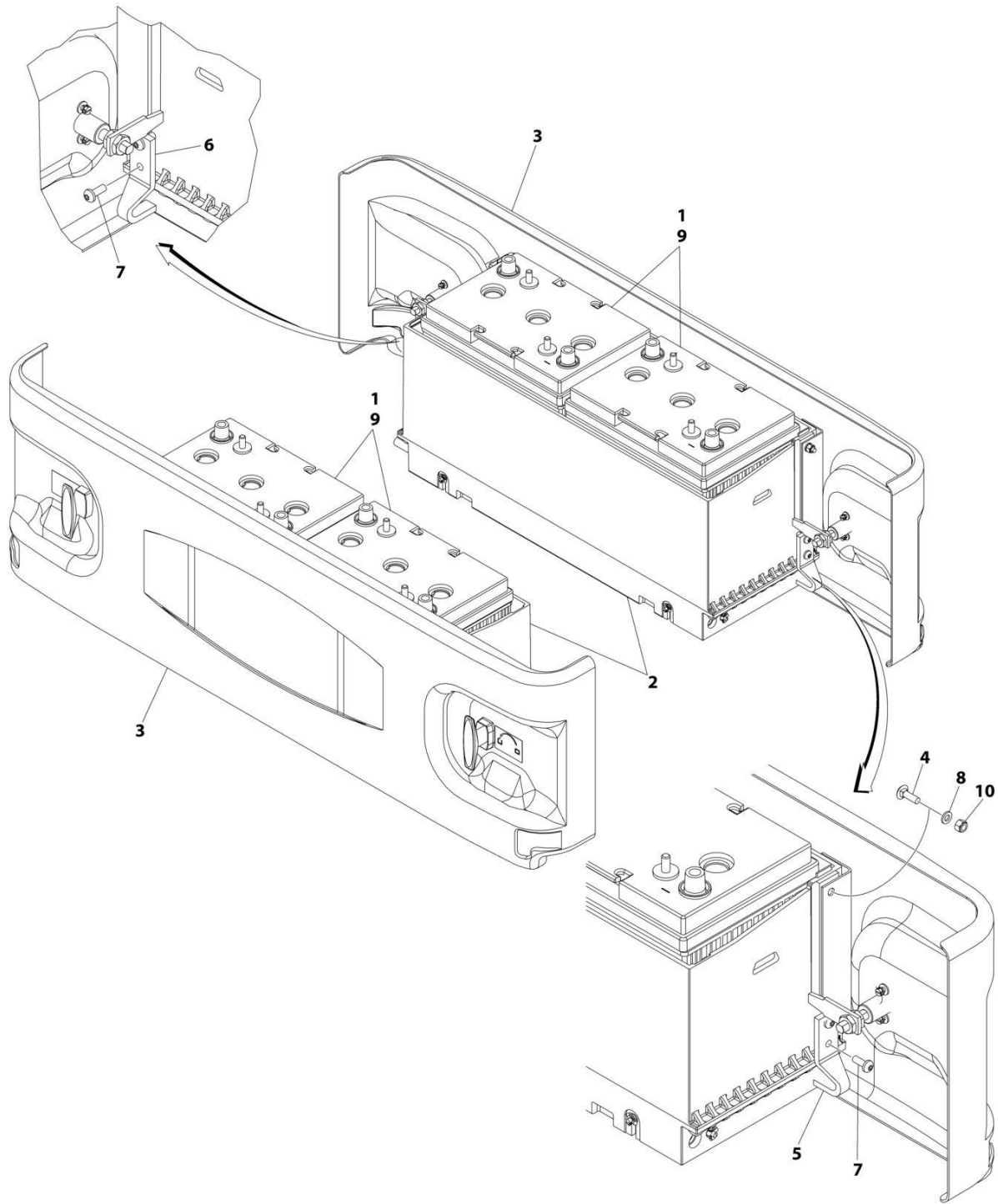
SECTION 2 - GROUND COMPONENTS

FIGURE 2-18. BATTERIES INSTALLATION - AGM AND EVG TYPE - 225 AH RATING (UL LOCKING COVERS)

ITEM	PART NUMBER	QTY	DESCRIPTION	REV
	1001159192	Ref	BATTERIES INSTALLATION - AGM AND EVG TYPE - 225 AH RATING (UL LOCKING COVERS)	D
1	0100051	AR	Grease, Terminal	
2	0760610	8	Bolt M6 x 20	
2	1001100451	1	Bolt M6 x 20	
3	0861678	2	Tray Assembly (See BATTERY TRAY ASSEMBLY - UL for Breakdown)	
4	1671204	2	Cover Assembly (See BATTERY COVER ASSEMBLY - LOCKING for Breakdown)	
5	3574981	2	Plate, Slide Stop (LH)	
6	3574984	2	Plate, Slide Stop (RH)	
7	4191707	8	Screw M6 x 16	
8	4240172	4	Strap, Battery	
9	4811700	8	Washer M6	
10	1001112112	4	Battery Type EVGC6A-A	
11	1001112113	1	Sensor, Temperature (SN 0200000100 through 0200266434, SN 1200000100 through 1200027658, SN B200000100 through B200045242, SN M200000100 through M200014371)	
12	3290605	8	Nut M6	

SECTION 2 - GROUND COMPONENTS

FIGURE 2-19. BATTERIES INSTALLATION - AGM VISION AND EVG TYPE - 220 AH RATING (NON-LOCKING COVERS)



ART_1001248130

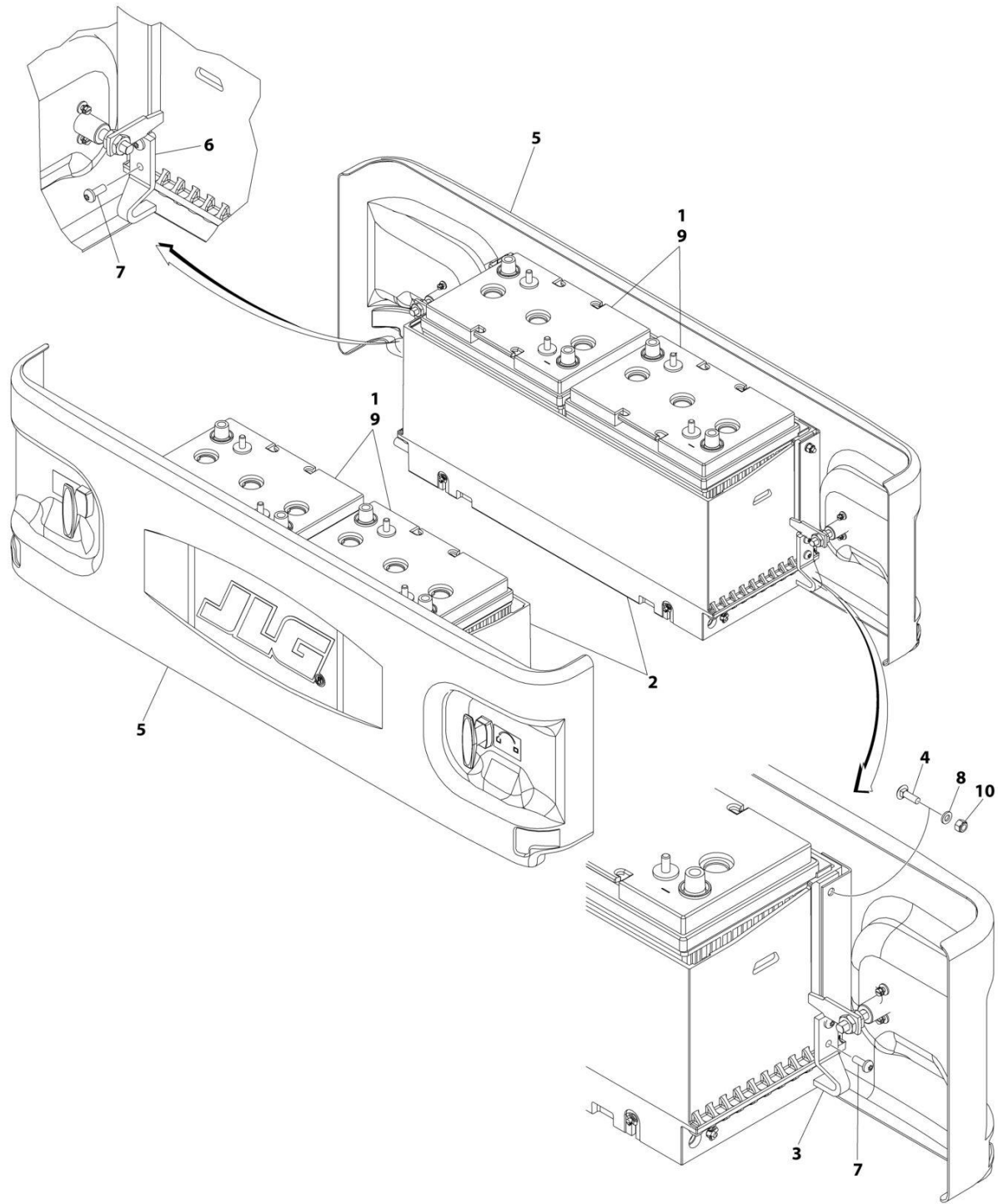
SECTION 2 - GROUND COMPONENTS

FIGURE 2-19. BATTERIES INSTALLATION - AGM VISION AND EVG TYPE - 220 AH RATING (NON-LOCKING COVERS)

ITEM	PART NUMBER	QTY	DESCRIPTION	REV
	1001248130	Ref	BATTERIES INSTALLATION - AGM VISION AND EVG TYPE - 220 AH RATING (UL LOCKING COVERS)	A
1	0100051	AR	Grease, Terminal	
2	0273698	2	Tray Assembly (See Separate Breakdown in this Section)	
3	1671202	2	Cover Assembly (See Separate Breakdown in this Section)	
4	1001100451	8	Bolt M6 x 20	
5	3574981	2	Plate, Slide Stop (LH)	
6	3574984	2	Plate, Slide Stop (RH)	
7	4191707	8	Screw M6 x 16	
8	4811700	8	Washer M6	
9	1001214347	4	Battery Type EVGC-220A-AM	
10	3290605	8	Nut M6	

SECTION 2 - GROUND COMPONENTS

FIGURE 2-20. BATTERIES INSTALLATION - AGM VISION AND EVG TYPE - 220 AH RATING (NON-UL LOCKING COVERS)



ART_1001248131

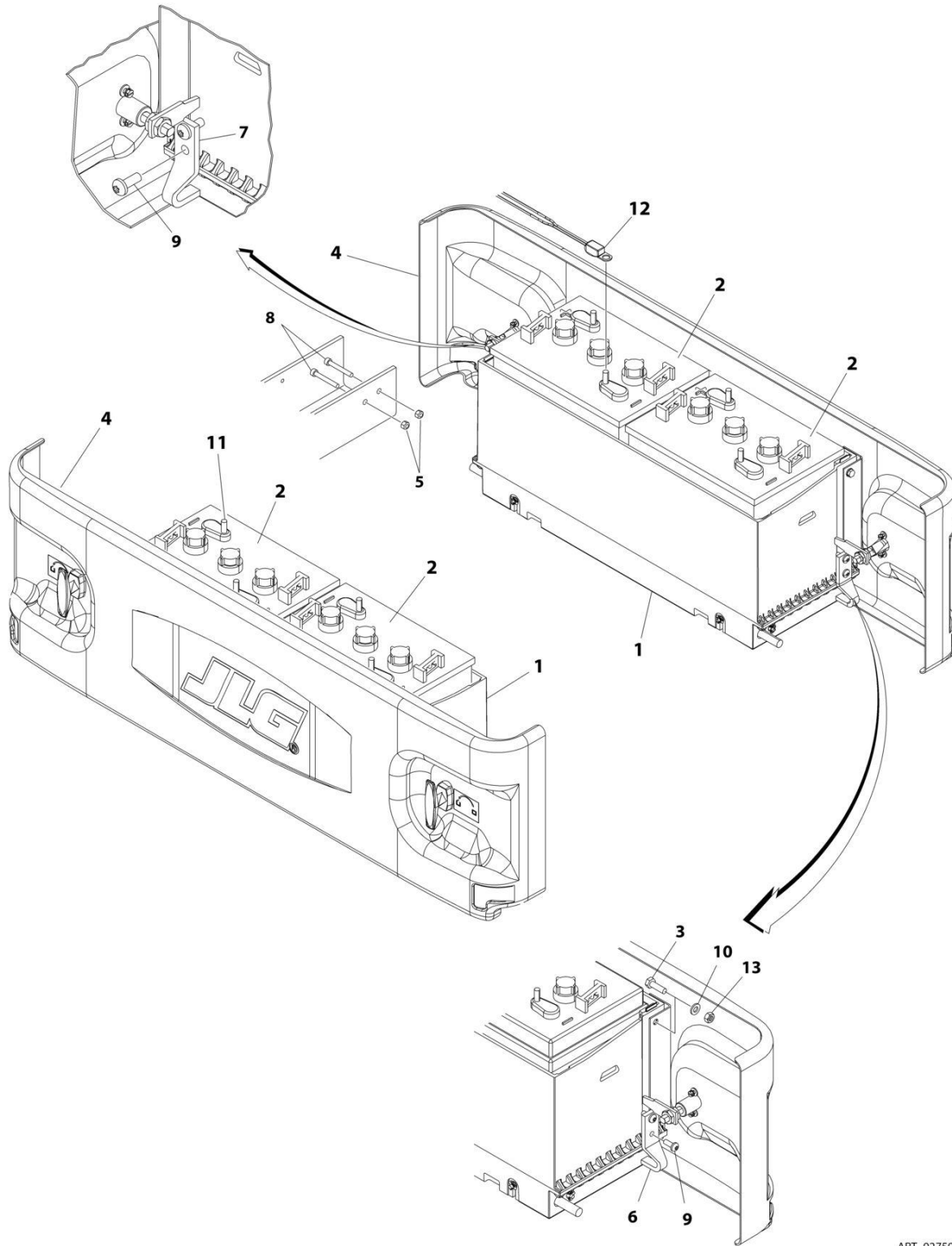
SECTION 2 - GROUND COMPONENTS

FIGURE 2-20. BATTERIES INSTALLATION - AGM VISION AND EVG TYPE - 220 AH RATING (NON-UL LOCKING COVERS)

ITEM	PART NUMBER	QTY	DESCRIPTION	REV
	1001248131	Ref	BATTERIES INSTALLATION - AGM VISION AND EVG TYPE - 220 AH RATING (NON-UL LOCKING COVERS)	A
1	0100051	AR	Grease, Terminal	
2	0273698	2	Tray Assembly (See Separate Breakdown in this Section)	
3	3574981	2	Plate, Slide Stop (LH)	
4	1001100451	8	Bolt M6 x 20	
5	1671204	2	Cover Assembly (See Separate Breakdown in this Section)	
6	3574984	2	Plate, Slide Stop (RH)	
7	4191707	8	Screw M6 x 16	
8	4811700	8	Washer M6	
9	1001214347	4	Battery Type EVGC-220A-AM	
10	3290605	8	Nut M6	

SECTION 2 - GROUND COMPONENTS

FIGURE 2-21. BATTERIES INSTALLATION - EV TYPE - 244 AH RATING (NON-LOCKING COVERS)



ART_0275042

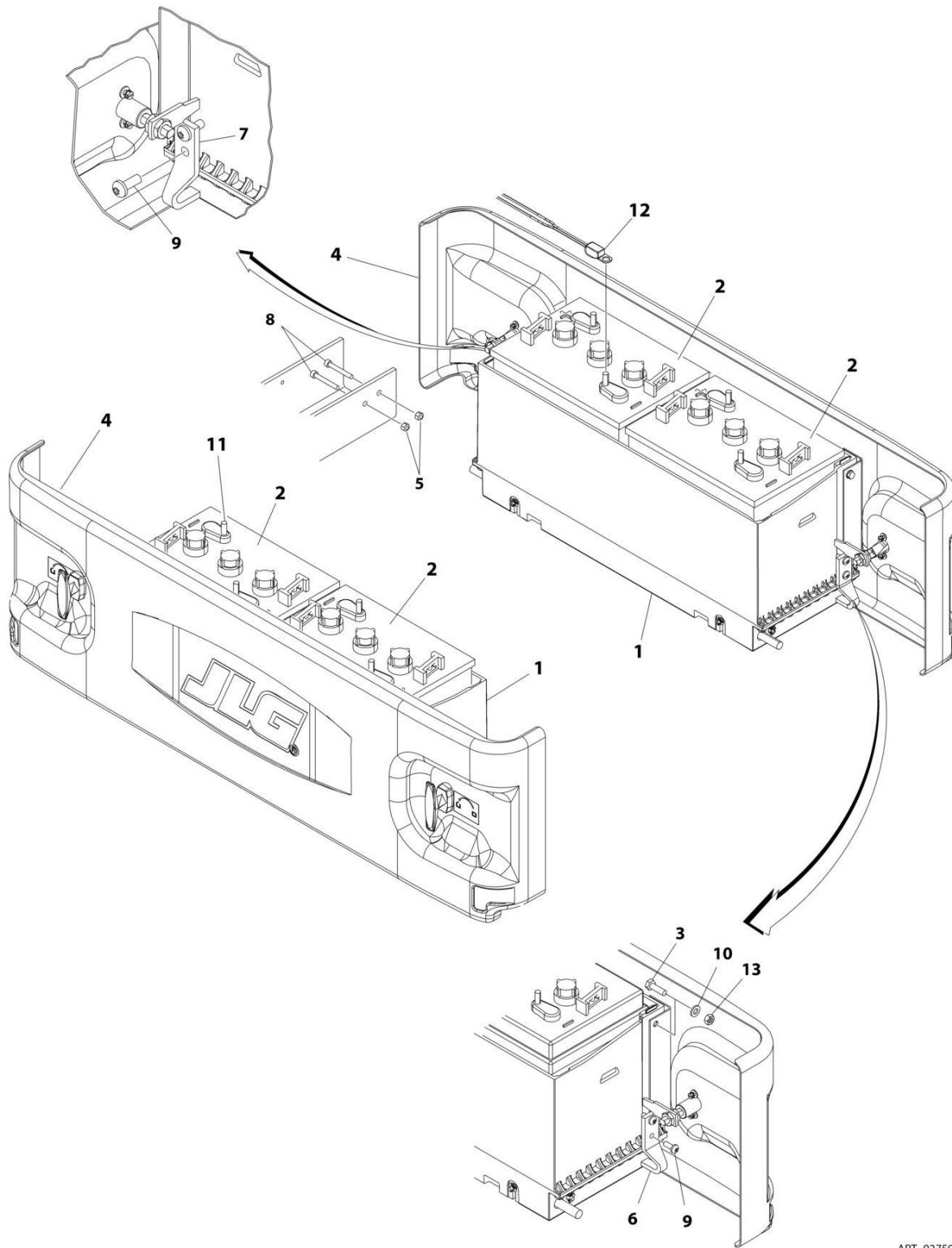
SECTION 2 - GROUND COMPONENTS

FIGURE 2-21. BATTERIES INSTALLATION - EV TYPE - 244 AH RATING (NON-LOCKING COVERS)

ITEM	PART NUMBER	QTY	DESCRIPTION	REV
	0275042	Ref	BATTERIES INSTALLATION - EV TYPE - 244 AH RATING (NON-LOCKING COVERS)	F
1	0273698	2	Tray Assembly (See BATTERY TRAY ASSEMBLY - NON UL for Breakdown)	
2	0400216	4	Battery Type EV-145-WNL	
3	0760610	8	Bolt M6 x 20	
3	1001100451	8	Bolt M6 x 20	
4	1671202	2	Cover Assembly (See BATTERY COVER ASSEMBLY - NON-LOCKING for Breakdown)	
5	3290605	2	Nut M6	
6	3574981	2	Plate, Slide Stop (LH)	
7	3574984	2	Plate, Slide Stop (RH)	
8	4031713	2	Capscrew M6 x 45	
9	4191707	8	Screw M6 x 16	
10	4811700	8	Washer M6	
11	0100051	AR	Grease, Terminal	
12	1001112113	1	Sensor, Temperature (SN 0200000100 through 0200266434, SN 1200000100 through 1200027658, SN B200000100 through B200045242, SN M200000100 through M200014371)	
13	3290605	8	Nut M6	

SECTION 2 - GROUND COMPONENTS

FIGURE 2-22. BATTERIES INSTALLATION - EV TYPE - 244 AH RATING (NON-UL LOCKING COVERS)



ART_0275044

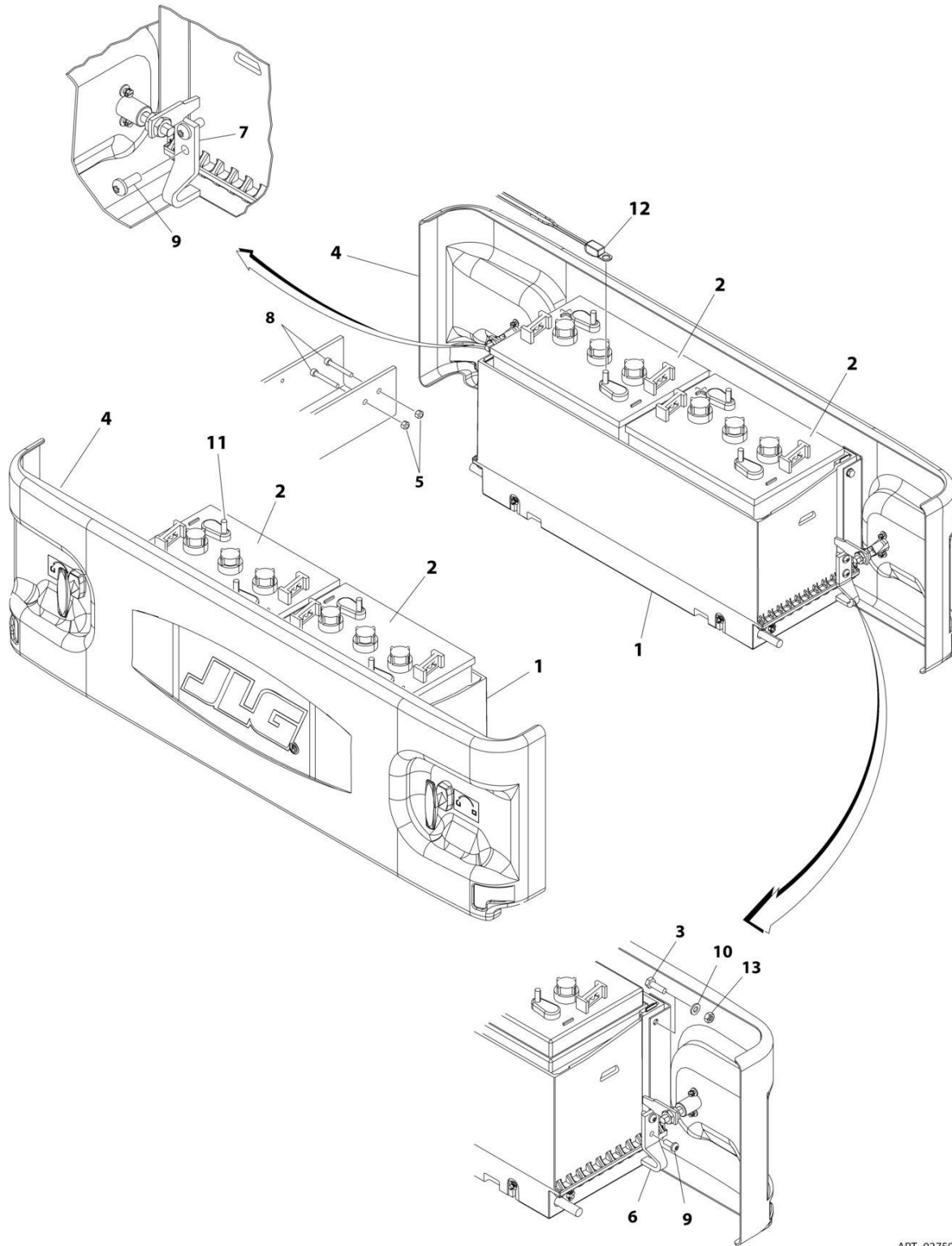
SECTION 2 - GROUND COMPONENTS

FIGURE 2-22. BATTERIES INSTALLATION - EV TYPE - 244 AH RATING (NON-UL LOCKING COVERS)

ITEM	PART NUMBER	QTY	DESCRIPTION	REV
	0275044	Ref	BATTERIES INSTALLATION - EV TYPE - 244 AH RATING (NON-UL LOCKING COVERS)	F
1	0273698	2	Tray Assembly (See BATTERY TRAY ASSEMBLY - NON UL for Breakdown)	
2	0400216	4	Battery Type EV-145-WNL	
3	0760610	8	Bolt M6 x 20	
3	1001100451	1	Bolt M6 x 20	
4	1671204	2	Cover Assembly (See BATTERY COVER ASSEMBLY - LOCKING for Breakdown)	
5	3290605	2	Nut M6	
6	3574981	2	Plate, Slide Stop (LH)	
7	3574984	2	Plate, Slide Stop (RH)	
8	4031713	2	Capscrew M6 x 45	
9	4191707	8	Screw M6 x 16	
10	4811700	8	Washer M6	
11	0100051	AR	Grease, Terminal	
12	1001112113	1	Sensor, Temperature (SN 0200000100 through 0200266434, SN 1200000100 through 1200027658, SN B200000100 through B200045242, SN M200000100 through M200014371)	
13	3290605	8	Nut M6	

SECTION 2 - GROUND COMPONENTS

FIGURE 2-23. BATTERIES INSTALLATION - EV TYPE - 244 AH RATING (UL LOCKING COVERS)



ART_0275043

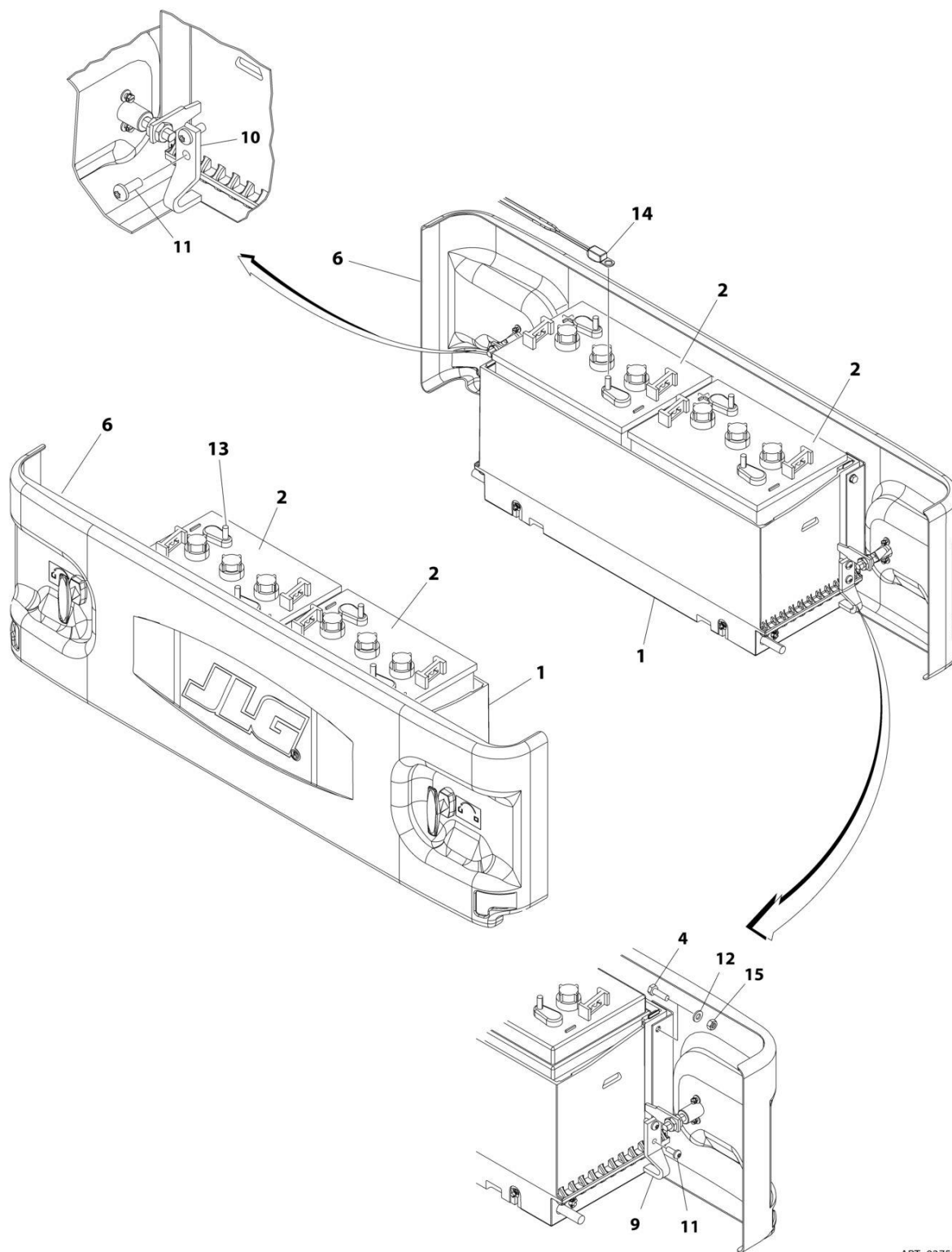
SECTION 2 - GROUND COMPONENTS

FIGURE 2-23. BATTERIES INSTALLATION - EV TYPE - 244 AH RATING (UL LOCKING COVERS)

ITEM	PART NUMBER	QTY	DESCRIPTION	REV
	0275043	Ref	BATTERIES INSTALLATION - EV TYPE - 244 AH RATING (UL LOCKING COVERS)	F
1	0861678	2	Tray Assembly (See BATTERY TRAY ASSEMBLY - UL for Breakdown)	
2	0400216	4	Battery Type EV-145-WNL	
3	0760610	8	Bolt M6 x 20	
3	1001100451	8	Bolt M6 x 20	
4	1671204	2	Cover Assembly (See BATTERY COVER ASSEMBLY - LOCKING for Breakdown)	
5	3290605	2	Nut M6	
6	3574981	2	Plate, Slide Stop (LH)	
7	3574984	2	Plate, Slide Stop (RH)	
8	4031713	2	Capscrew M6 x 45	
9	4191707	8	Screw M6 x 16	
10	4811700	8	Washer M6	
11	0100051	AR	Grease, Terminal	
12	1001112113	1	Sensor, Temperature (SN 0200000100 through 0200266434, SN B200000100 through B200045242, SN M200000100 through M200014371)	
13	3290605	1	Nut M6	

SECTION 2 - GROUND COMPONENTS

FIGURE 2-24. BATTERIES INSTALLATION - GC TYPE - 225 AH RATING (NON-LOCKING COVERS)



ART_0275020

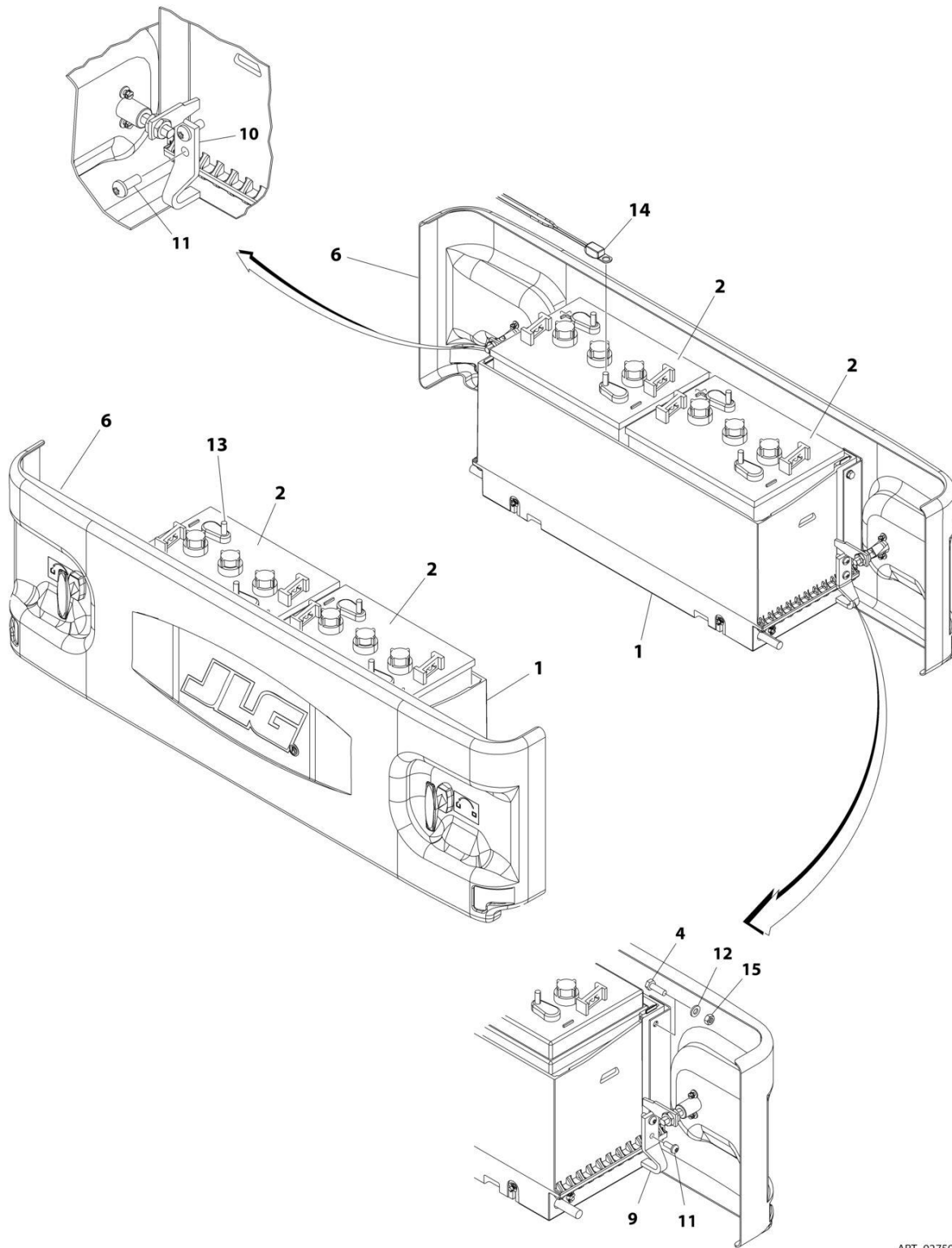
SECTION 2 - GROUND COMPONENTS

FIGURE 2-24. BATTERIES INSTALLATION - GC TYPE - 225 AH RATING (NON-LOCKING COVERS)

ITEM	PART NUMBER	QTY	DESCRIPTION	REV
	0275020	Ref	BATTERIES INSTALLATION - GC TYPE - 225 AH RATING (NON LOCKING COVERS)	G
1	0273698	2	Tray Assembly (See BATTERY TRAY ASSEMBLY - NON UL for Breakdown)	
2	0400215	4	Battery Type GC-110-WNL	
4	0760610	8	Bolt M6 x 20	
4	1001100451	8	Bolt M6 x 20	
6	1671202	2	Cover Assembly (See BATTERY COVER ASSEMBLY - NON-LOCKING for Breakdown)	
9	3574981	2	Plate, Slide Stop (LH)	
10	3574984	2	Plate, Slide Stop (RH)	
11	4191707	8	Screw M6 x 16	
12	4811700	8	Washer M6	
13	0100051	AR	Grease, Terminal	
14	1001112113	1	Sensor, Temperature (SN 0200000100 through 0200266434, SN 1200000100 through 1200027658, SN B200000100 through B200045242, SN M200000100 through M200014371)	
15	3290605	8	Nut M6	

SECTION 2 - GROUND COMPONENTS

FIGURE 2-25. BATTERIES INSTALLATION - GC TYPE - 225 AH RATING (NON-UL LOCKING COVERS)



ART_0275022

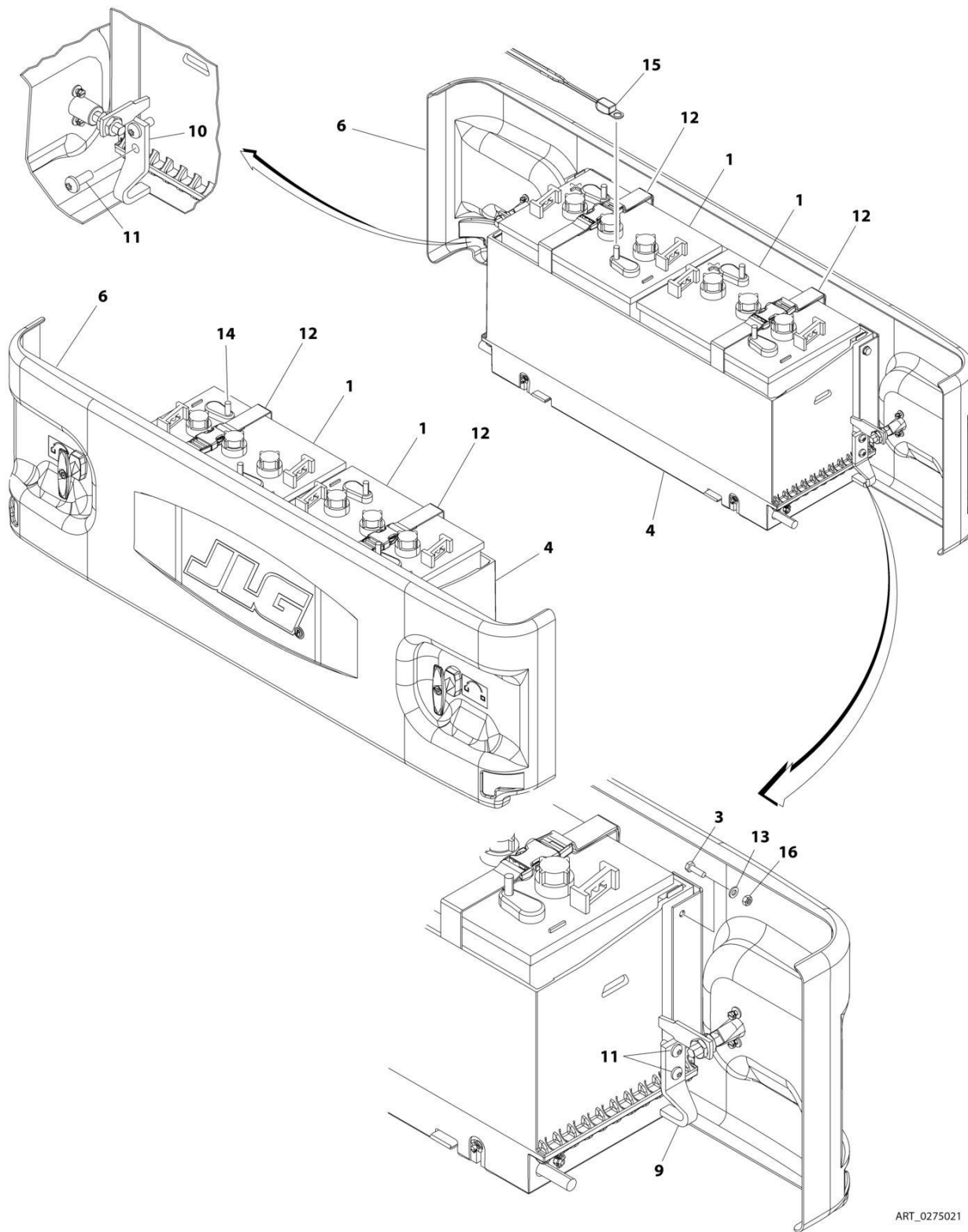
SECTION 2 - GROUND COMPONENTS

FIGURE 2-25. BATTERIES INSTALLATION - GC TYPE - 225 AH RATING (NON-UL LOCKING COVERS)

ITEM	PART NUMBER	QTY	DESCRIPTION	REV
	0275022	Ref	BATTERIES INSTALLATION - GC TYPE - 225 AH RATING (NON-UL LOCKING COVERS)	G
1	0273698	2	Tray Assembly (See BATTERY TRAY ASSEMBLY - NON UL for Breakdown)	
2	0400215	4	Battery Type GC-110-WNL	
4	0760610	8	Bolt M6 x 20	
4	1001100451	8	Bolt M6 x 20	
6	1671204	2	Cover Assembly (See BATTERY COVER ASSEMBLY - LOCKING for Breakdown)	
9	3574981	2	Plate, Slide Stop (LH)	
10	3574984	2	Plate, Slide Stop (RH)	
11	4191707	8	Screw M6 x 16	
12	4811700	8	Washer M6	
13	0100051	AR	Grease, Terminal	
14	1001112113	1	Sensor, Temperature (SN 0200000100 through 0200266434, SN 1200000100 through 1200027658, SN B200000100 through B200045242, SN M200000100 through M200014371)	
15	3290605	8	Nut M6	

SECTION 2 - GROUND COMPONENTS

FIGURE 2-26. BATTERIES INSTALLATION - GC TYPE - 225 AH RATING (UL LOCKING COVERS)



ART_0275021

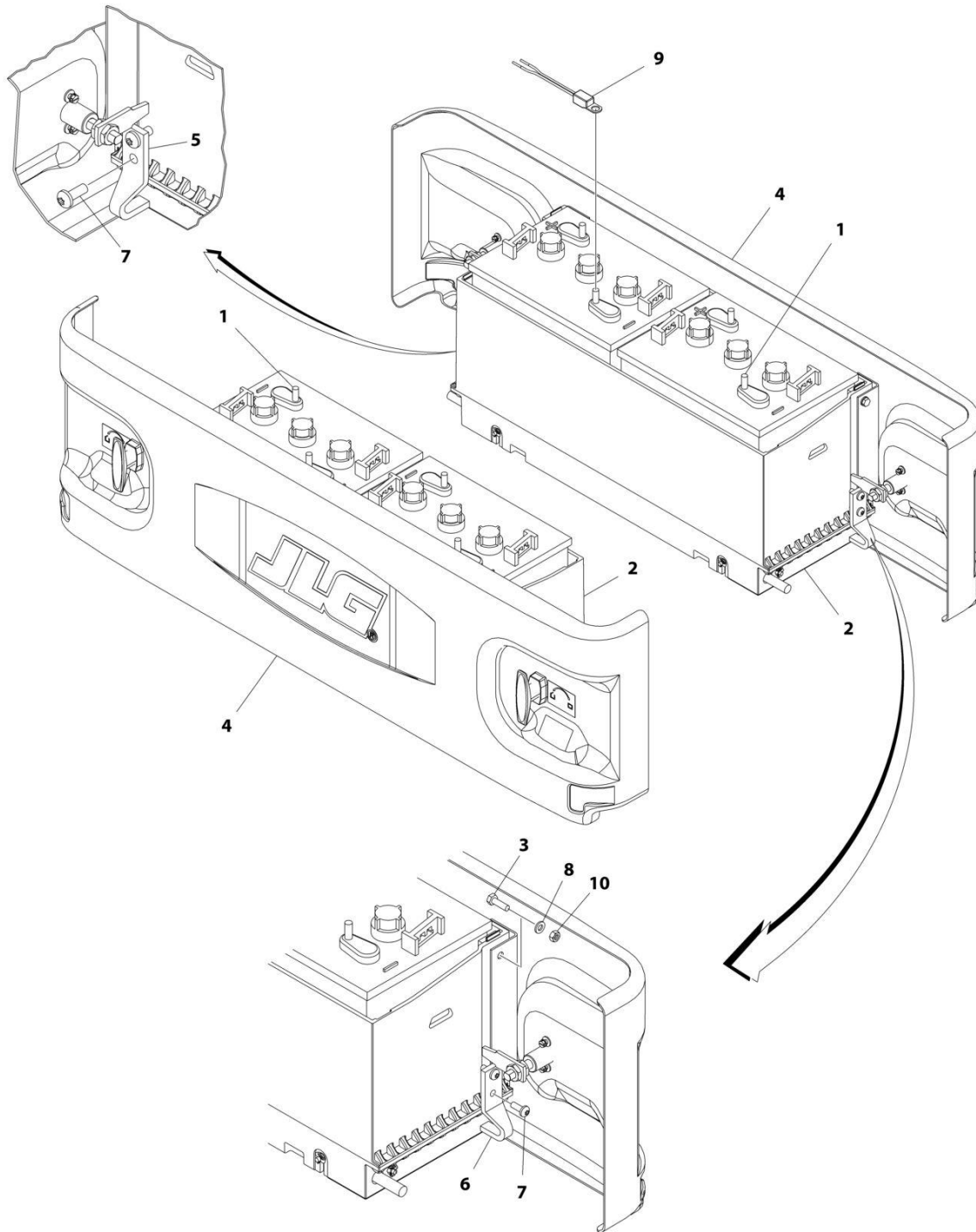
SECTION 2 - GROUND COMPONENTS

FIGURE 2-26. BATTERIES INSTALLATION - GC TYPE - 225 AH RATING (UL LOCKING COVERS)

ITEM	PART NUMBER	QTY	DESCRIPTION	REV
	0275021	Ref	BATTERIES INSTALLATION - GC TYPE - 225 AH RATING (UL LOCKING COVERS)	G
1	0400215	4	Battery Type GC-110-WNL	
3	0760610	8	Bolt M6 x 20	
3	1001100451	8	Bolt M6 x 20	
4	0861678	2	Tray Assembly (See BATTERY TRAY ASSEMBLY - UL for Breakdown)	
6	1671204	2	Cover Assembly (See BATTERY COVER ASSEMBLY - LOCKING for Breakdown)	
9	3574981	2	Plate, Slide Stop (LH)	
10	3574984	2	Plate, Slide Stop (RH)	
11	4191707	8	Screw M6 x 16	
12	4240172	2	Strap	
13	4811700	8	Washer M6	
14	0100051	AR	Grease, Terminal	
15	1001112113	1	Sensor, Temperature (SN 0200000100 through 0200266434, SN B200000100 through B200045242, SN M200000100 through M200014371)	
16	3290605	8	Nut M6	

SECTION 2 - GROUND COMPONENTS

FIGURE 2-27. BATTERIES INSTALLATION - 220 AH RATING WITHOUT BATTERIES (NON LOCKING COVERS)



ART_1001209104

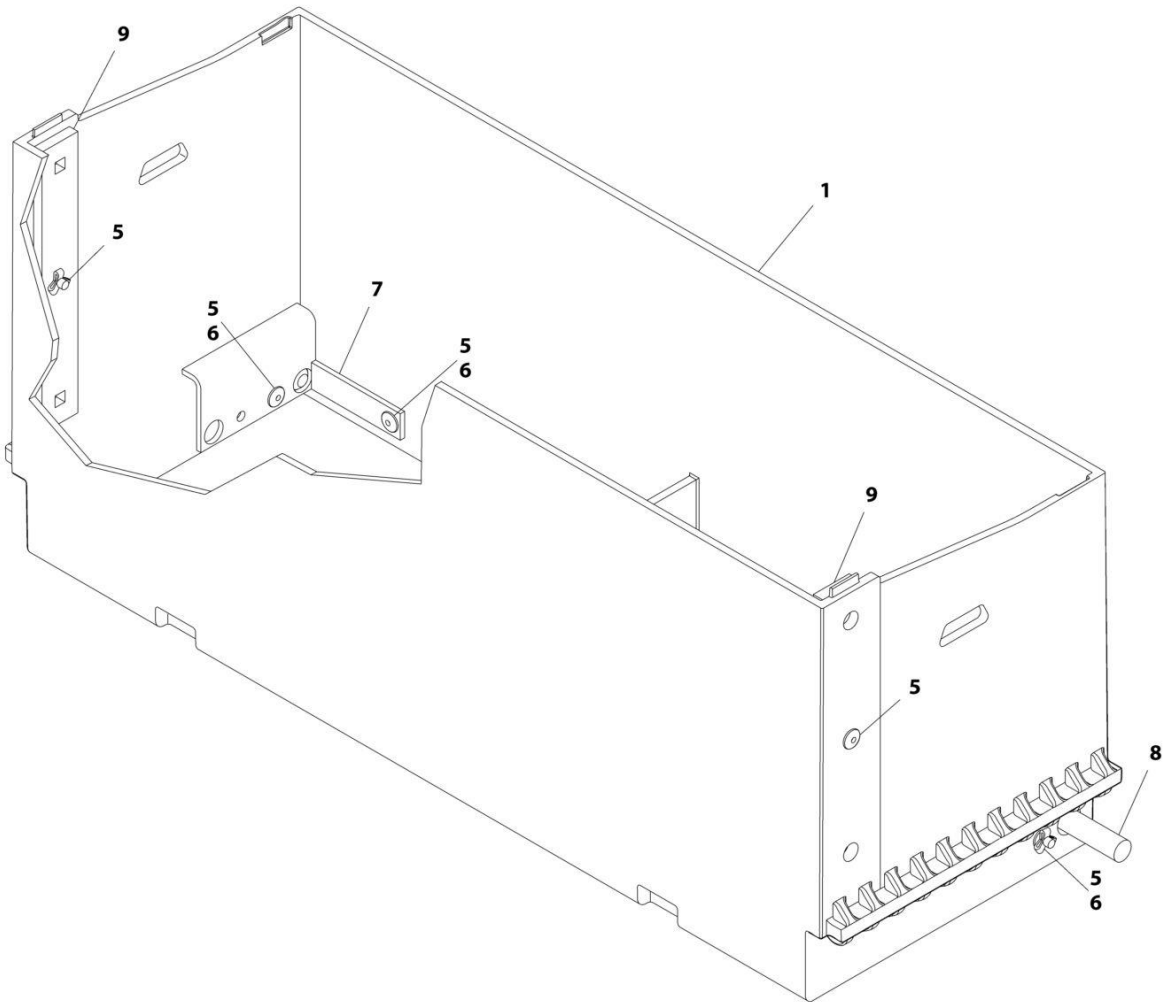
SECTION 2 - GROUND COMPONENTS

FIGURE 2-27. BATTERIES INSTALLATION - 220 AH RATING WITHOUT BATTERIES (NON LOCKING COVERS)

ITEM	PART NUMBER	QTY	DESCRIPTION	REV
	1001209104	Ref	BATTERIES INSTALLATION - 220 AH RATING WITHOUT BATTERIES (NON LOCKING COVERS)	C
1	0100051	AR	Grease, Terminal	
2	0273698	2	Tray Assembly (See BATTERY TRAY ASSEMBLY - NON UL for Breakdown)	
3	0760610	8	Bolt M6 x 20	
3	1001100451	8	Bolt M6 x 20	
4	1671202	1	Cover Assembly (See BATTERY COVER ASSEMBLY - NON-LOCKING for Breakdown)	
5	3574981	2	Plate, Slide Stop (LH)	
6	3574984	2	Plate, Slide Stop (RH)	
7	4191707	8	Screw M6 x 16	
8	4811700	8	Washer M6	
9	1001112113	1	Sensor, Temperature (SN B200000100 through B200045242)	
10	3290605	8	Nut M6	

SECTION 2 - GROUND COMPONENTS

FIGURE 2-28. BATTERY TRAY ASSEMBLY - NON-UL



ART_0273698

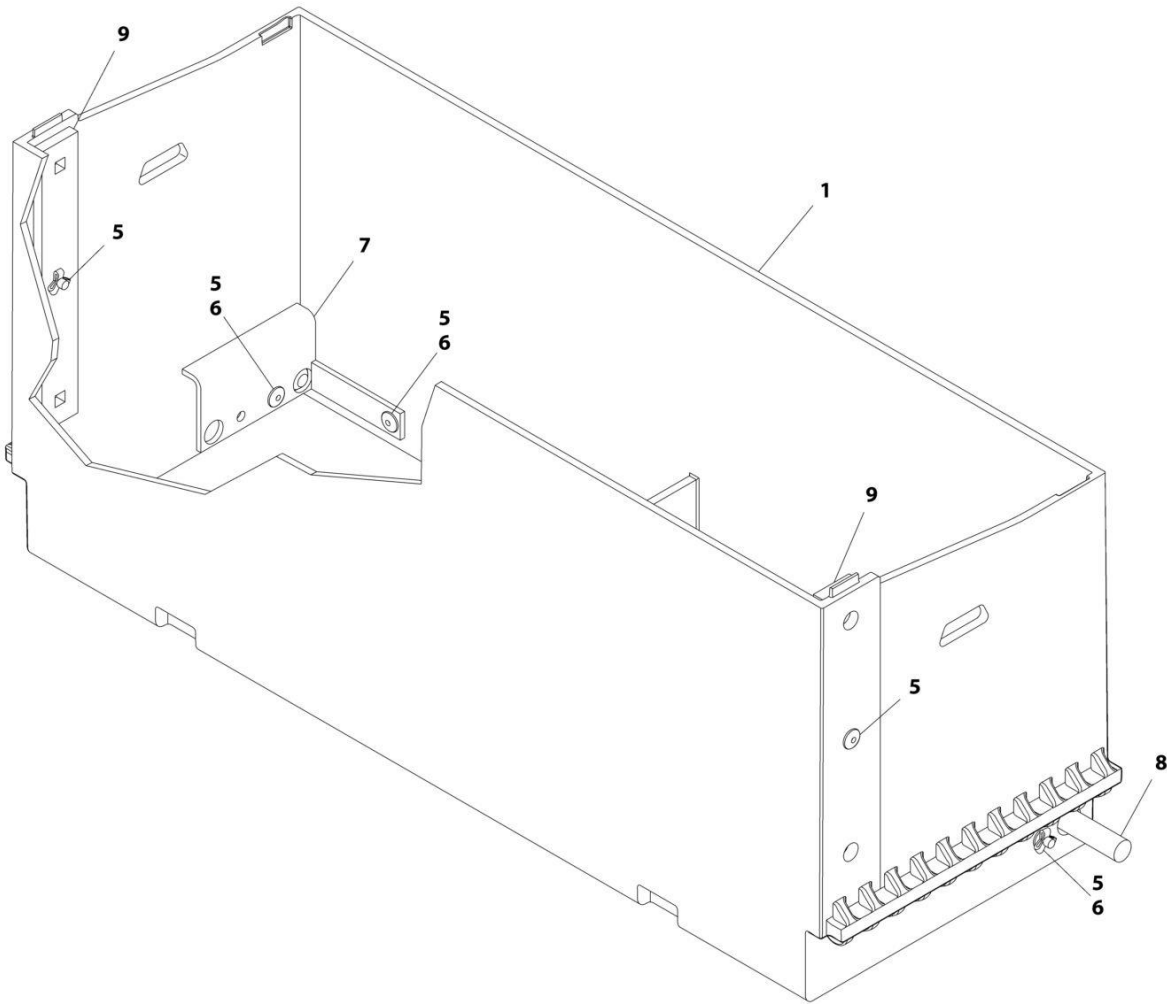
SECTION 2 - GROUND COMPONENTS

FIGURE 2-28. BATTERY TRAY ASSEMBLY - NON-UL

ITEM	PART NUMBER	QTY	DESCRIPTION	REV
	0273698	Ref	BATTERY TRAY ASSEMBLY - NON-UL	K
1	0861650	1	Tray, Battery	
5	3820032	6	Rivet	
6	4811600	4	Washer M5	
7	4220252	1	Stop (LH)	
8	4220253	1	Stop (RH)	
9	3577076	2	Bar (SN 0200000100 through 0200266381, SN 1200025021 to Present, SN B200000100 through B200049127, SN M200000100 through M200026306)	
9	1001233888	2	Bar (SN 0200266382 to Present, SN B200049128 to Present, SN M200026307 through M200039289)	

SECTION 2 - GROUND COMPONENTS

FIGURE 2-29. BATTERY TRAY ASSEMBLY - UL



ART_0861678

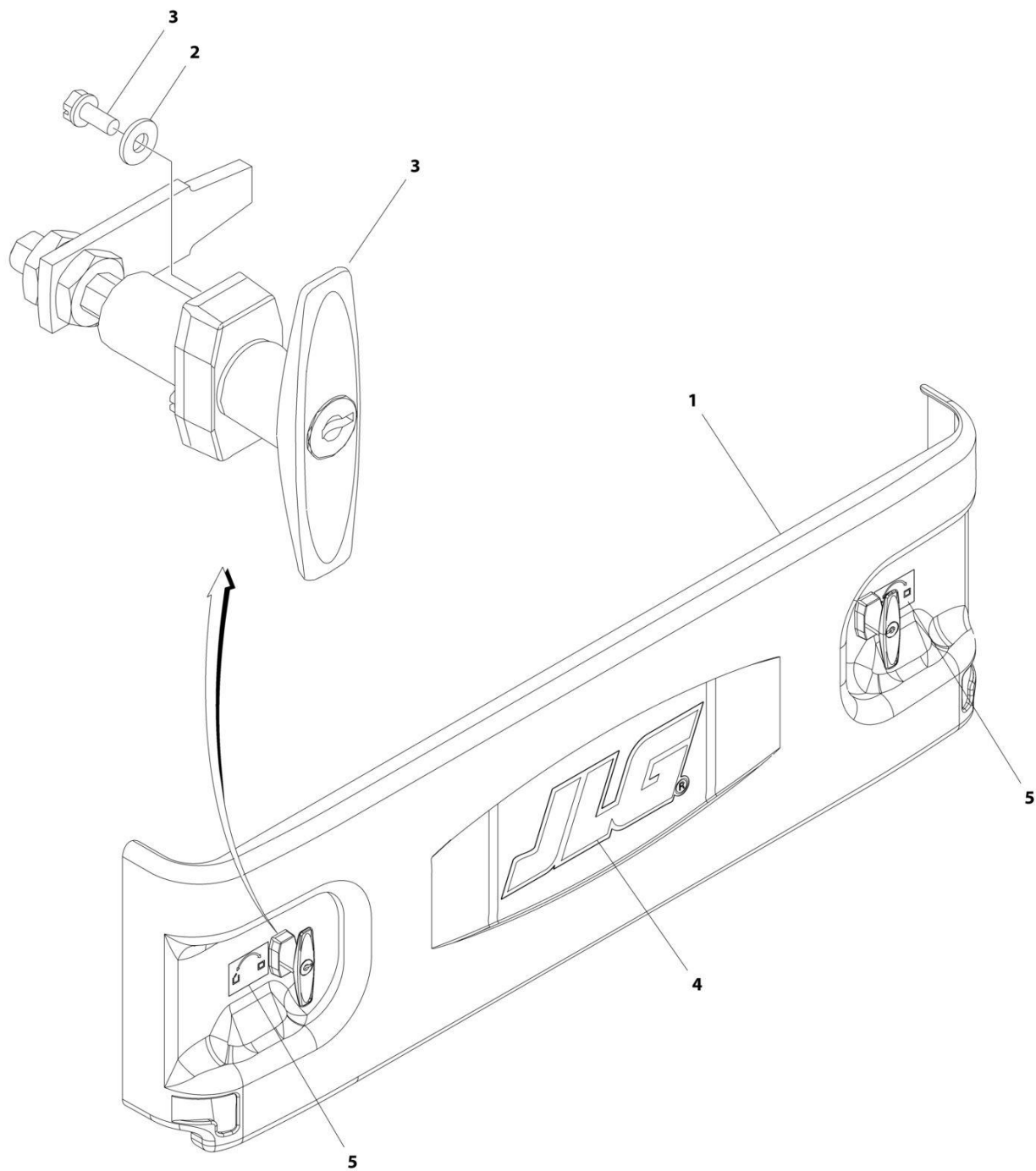
SECTION 2 - GROUND COMPONENTS

FIGURE 2-29. BATTERY TRAY ASSEMBLY - UL

ITEM	PART NUMBER	QTY	DESCRIPTION	REV
	0861678	Ref	BATTERY TRAY ASSEMBLY - UL	I
1	0861677	1	Tray, Battery	
5	3820032	6	Rivet	
6	4811600	4	Washer M5	
7	4220252	1	Stop (LH)	
8	4220253	1	Stop (RH)	
9	3577076	2	Bar (SN 0200000100 through 0200266381, SN 1200025021 to Present, SN B200000100 through B200049127, SN M200000100 through M200026306)	
9	1001233888	2	Bar (SN 0200266382 to Present, SN B200049128 to Present, SN M200026307 through M200039289)	

SECTION 2 - GROUND COMPONENTS

FIGURE 2-30. BATTERY COVER ASSEMBLY - NON-LOCKING



ART_1671202

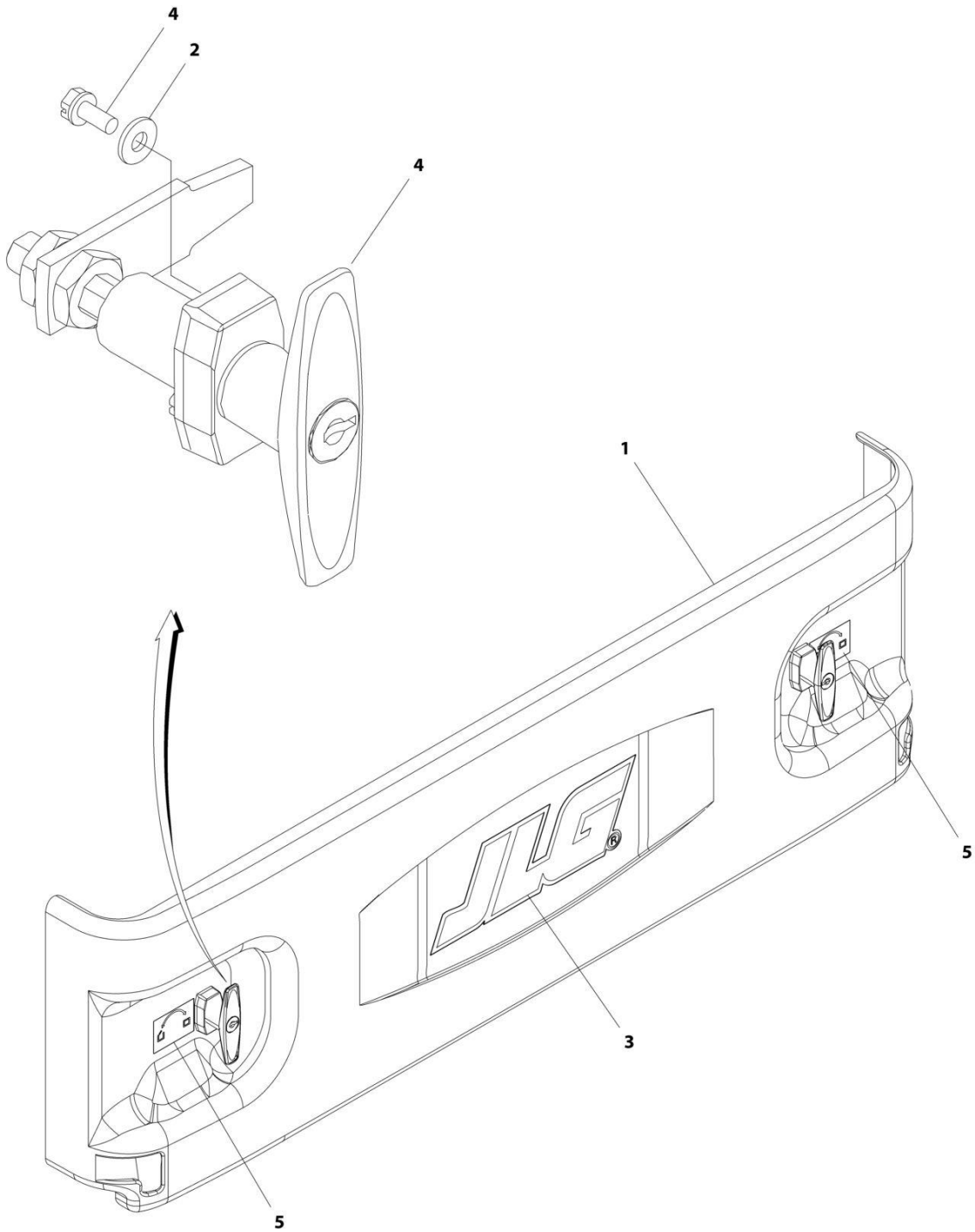
SECTION 2 - GROUND COMPONENTS

FIGURE 2-30. BATTERY COVER ASSEMBLY - NON-LOCKING

ITEM	PART NUMBER	QTY	DESCRIPTION	REV
	1671202	Ref	BATTERY COVER ASSEMBLY - NON-LOCKING	I
1	1671203	1	Cover, Battery Less Decals and Latches	
2	4750800	4	Washer #8	
3	2940174	2	Latch, T-Handle	
4	1705754	1	Decal - JLG (SN 0200000100 through 0200262223, SN B200000100 through B200038735, SN M200000100 through M200007891)	
5	1706350	2	Decal - Cover	

SECTION 2 - GROUND COMPONENTS

FIGURE 2-31. BATTERY COVER ASSEMBLY - LOCKING



ART_1671204

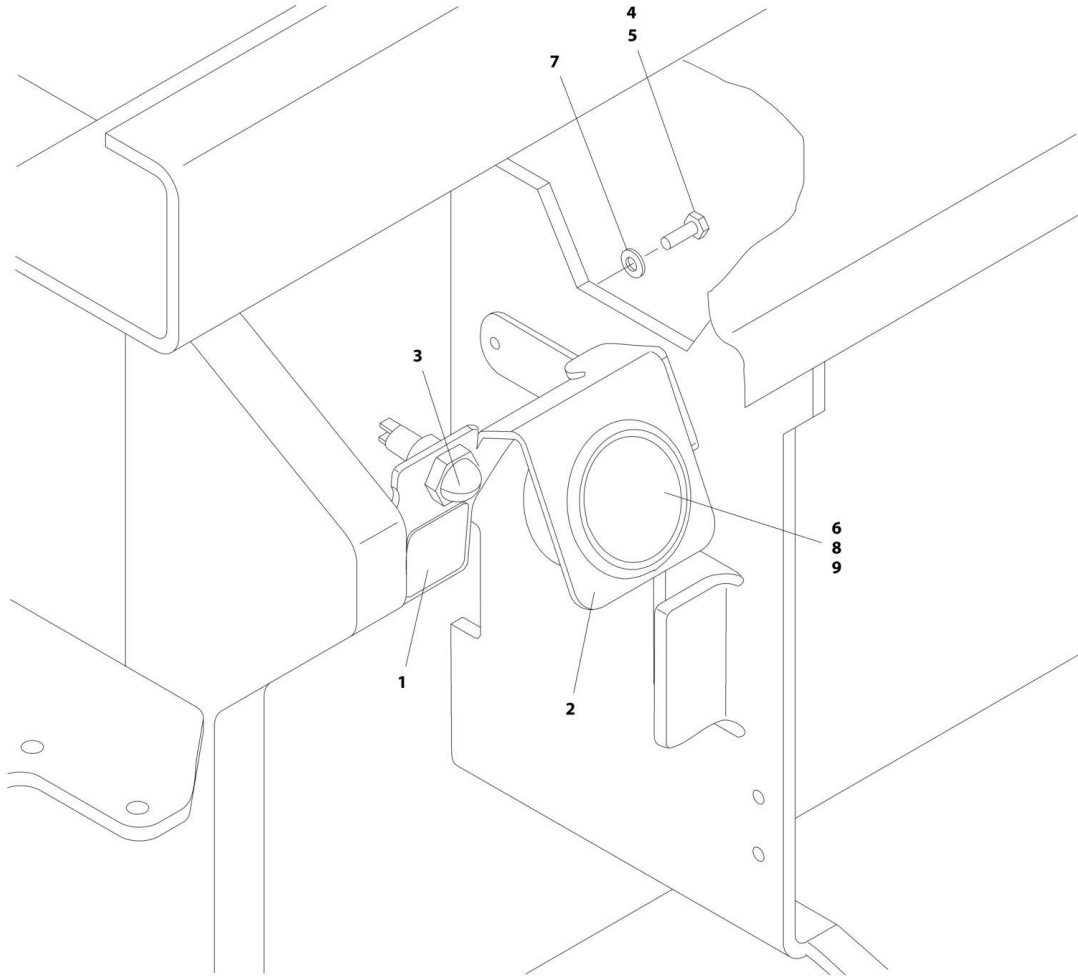
SECTION 2 - GROUND COMPONENTS

FIGURE 2-31. BATTERY COVER ASSEMBLY - LOCKING

ITEM	PART NUMBER	QTY	DESCRIPTION	REV
	1671204	Ref	BATTERY COVER ASSEMBLY - LOCKING	I
1	1671203	1	Cover, Battery Less Decals and Latches	
2	4750800	4	Washer #8	
3	1705754	1	Decal - JLG	
4	2940175	2	Locking	
4	7027863	2	Key	
5	1706350	2	Decal - Cover	

SECTION 2 - GROUND COMPONENTS

FIGURE 2-32. BRAKE DISCONNECT AND MDI (MULTIFUNCTION DIGITAL INDICATOR) GAUGE INSTALLATION



ART_0275530

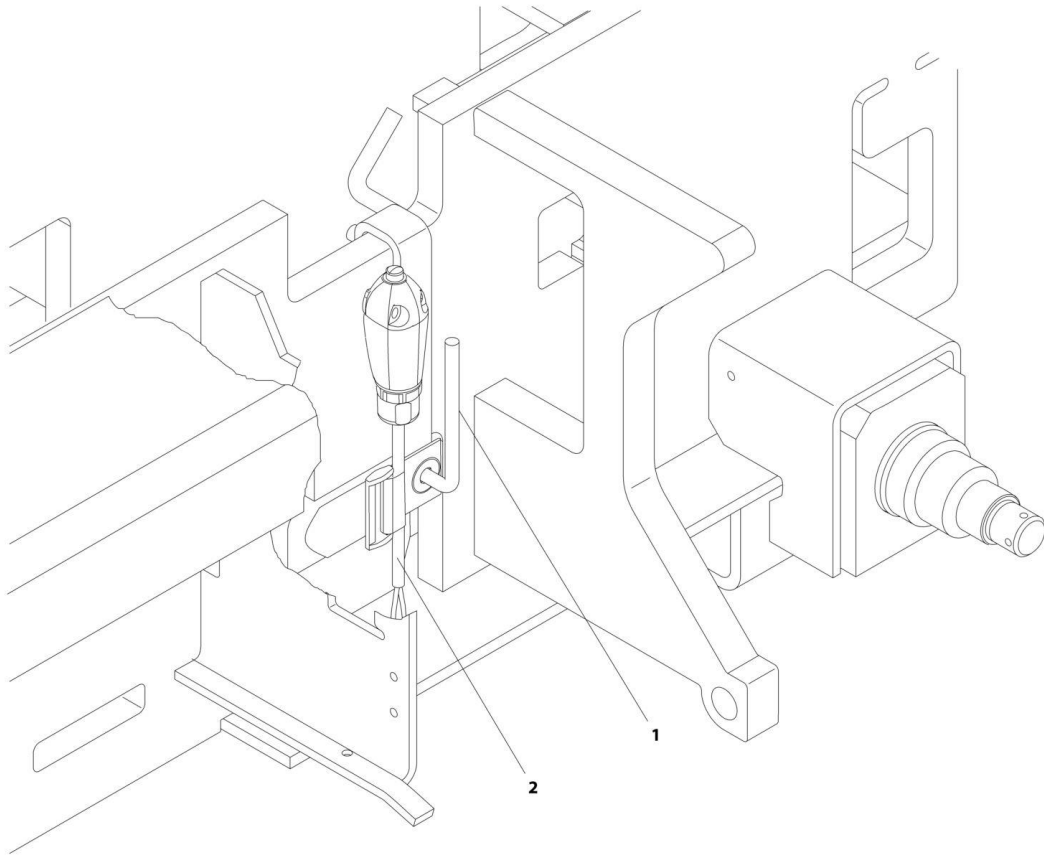
SECTION 2 - GROUND COMPONENTS

FIGURE 2-32. BRAKE DISCONNECT AND MDI (MULTIFUNCTION DIGITAL INDICATOR) GAUGE INSTALLATION

ITEM	PART NUMBER	QTY	DESCRIPTION	REV
	0275530	Ref	BRAKE DISCONNECT AND MDI (MULTIFUNCTION DIGITAL INDICATOR) GAUGE INSTALLATION	D
1	1706679	1	Decal - Brake Release	
2	1001094203	1	Bracket	
3	4360387	1	Switch, Push Button	
4	4031607	2	Capscrew M5 x 16	
5	0100011	AR	Compound, Locking	
6	0100048	AR	Grease, Dielectric	
7	4811600	2	Washer M5	
8	1001092454	1	Gauge, MDI (Multifunction Digital Indicator)	
9	1001093556	1	MDI Harness (Not Shown - See ELECTRICAL SECTION for Breakdown)	

SECTION 2 - GROUND COMPONENTS

FIGURE 2-33. BRAKE CABLE INSTALLATION (OPTIONAL)



ART_0275432

SECTION 2 - GROUND COMPONENTS

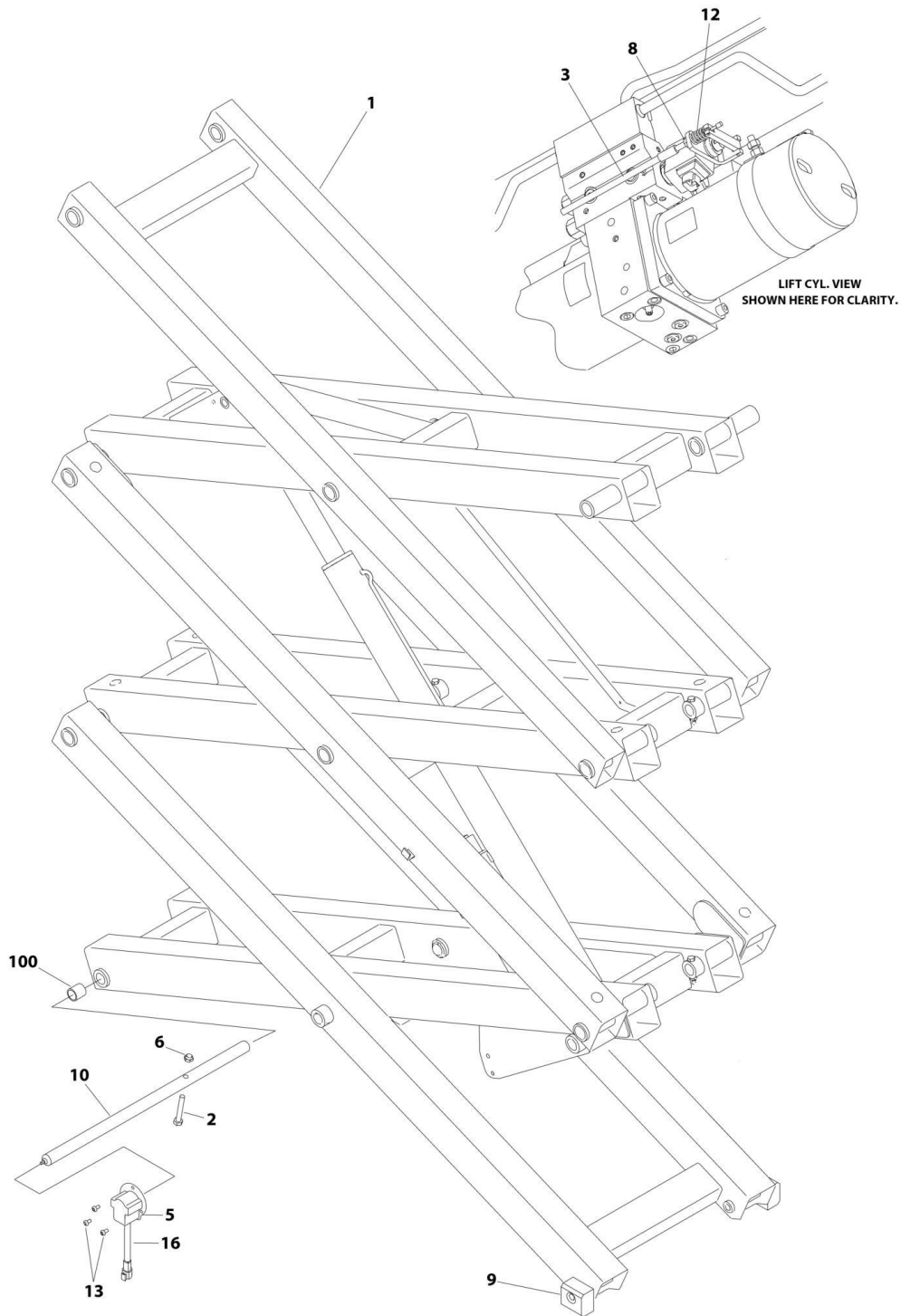
FIGURE 2-33. BRAKE CABLE INSTALLATION (OPTIONAL)

ITEM	PART NUMBER	QTY	DESCRIPTION	REV
	0275432	Ref	BRAKE CABLE INSTALLATION (OPTIONAL)	B
1	2902331	1	Brake Release Mount Kit (Includes Mounting Bracket and Setscrew)	
1	3951608	1	Setscrew 3/8 x 1	
2	4922944	1	Brake Disconnect Harness (See ELECTRICAL SECTION for Breakdown)	

SECTION 3 - SCISSORS ARMS

SECTION 3 - SCISSORS ARMS

FIGURE 3-1. SCISSORS ARMS INSTALLATION - 2032ES STANDARD HYDRAULIC OIL (USA AND MEXICO BUILT MACHINES) (SN 0200000100 to Present, SN M200000100 through M200039289)



ART_1001157322

SECTION 3 - SCISSORS ARMS

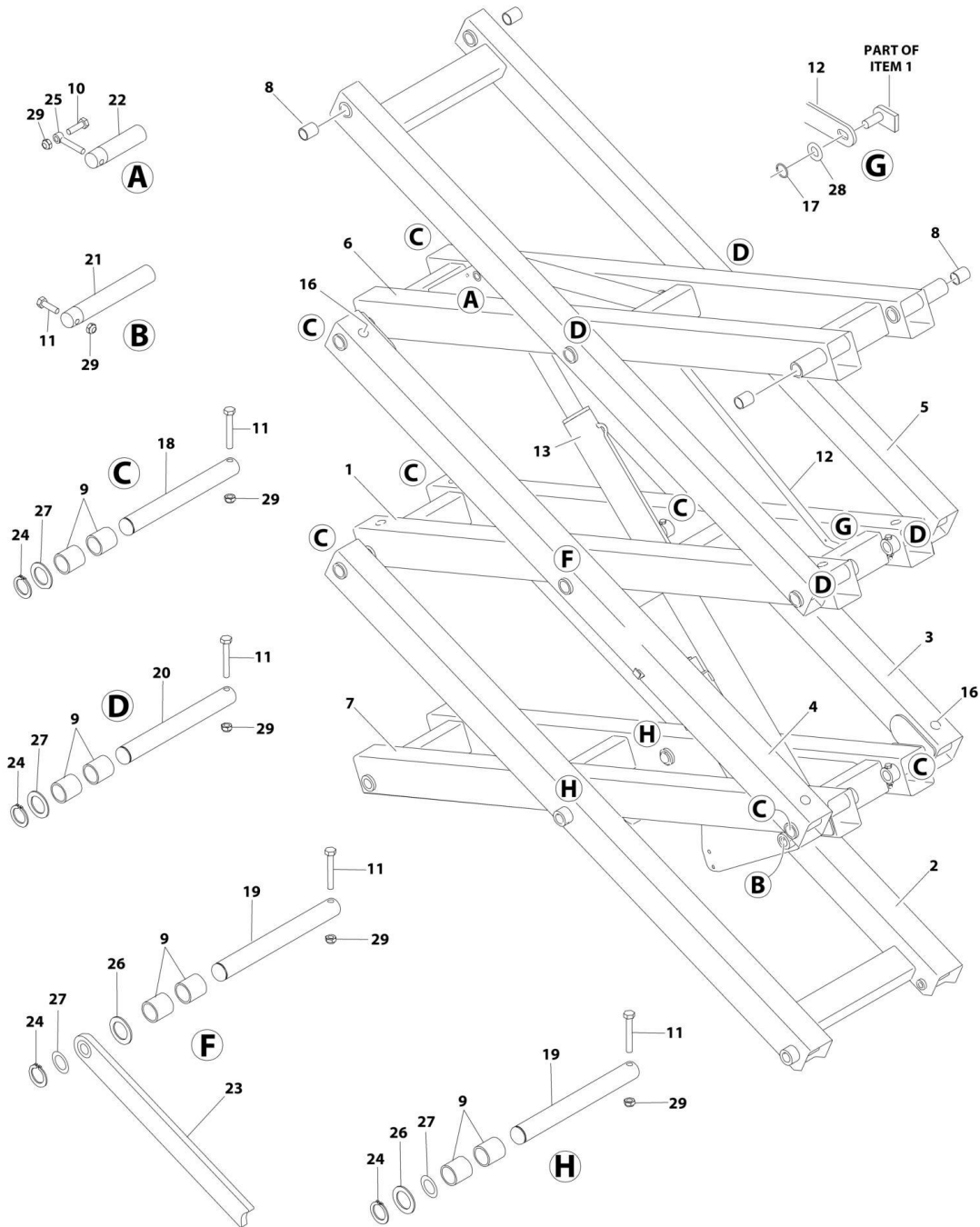
FIGURE 3-1. SCISSORS ARMS INSTALLATION - 2032ES STANDARD HYDRAULIC OIL (USA AND MEXICO BUILT MACHINES) (SN 0200000100 to Present, SN M200000100 through M200039289)

ITEM	PART NUMBER	QTY	DESCRIPTION	REV
	1001157322	Ref	SCISSORS ARMS INSTALLATION - 2032ES STANDARD HYDRAULIC OIL (USA AND MEXICO BUILT MACHINES)	A
1	1001157316	1	Arms Assembly (See SCISSORS ARMS ASSEMBLY - 2032ES STANDARD HYDRAULIC OIL (USA AND MEXICO BUILT MACHINES) for Breakdown)	
2	0701022	1	Bolt M10 x 70	
3	1061034	1	Cable, Manual Descent	
3	7020218	1	T-Handle (With 1/4-20 Threads)	
3	70001878	1	T-Handle (With 5mm Threads)	
5	3200454	1	Mount, Switch	
6	3291005	1	Nut M10	
8	3321402	1	Nut 1/4-28	
9	3340957	2	Pad, Slide	
10	3423259	1	Pin, Sensor	
12	4160078	1	Spring, Compression	
13	4191706	3	Screw M6 x 12	
16	1001092354	1	Switch, Rotary Angle Sensor	
16	4460536	1	Receptacle, Female - 3 Position	
16	4460464	3	Pin, Male	
100	0440265	2	Bushing (Part of Frame Weldment)	

SECTION 3 - SCISSORS ARMS

FIGURE 3-2. SCISSORS ARMS ASSEMBLY - 2032ES STANDARD HYDRAULIC OIL (USA AND MEXICO BUILT MACHINES) (SN 020000100 to Present, SN M200000100 through M200039289)

NOTE: IDENTIFY THE PART NUMBER STAMPED ON CYLINDER BEFORE ORDERING PARTS.



ART_1001157316

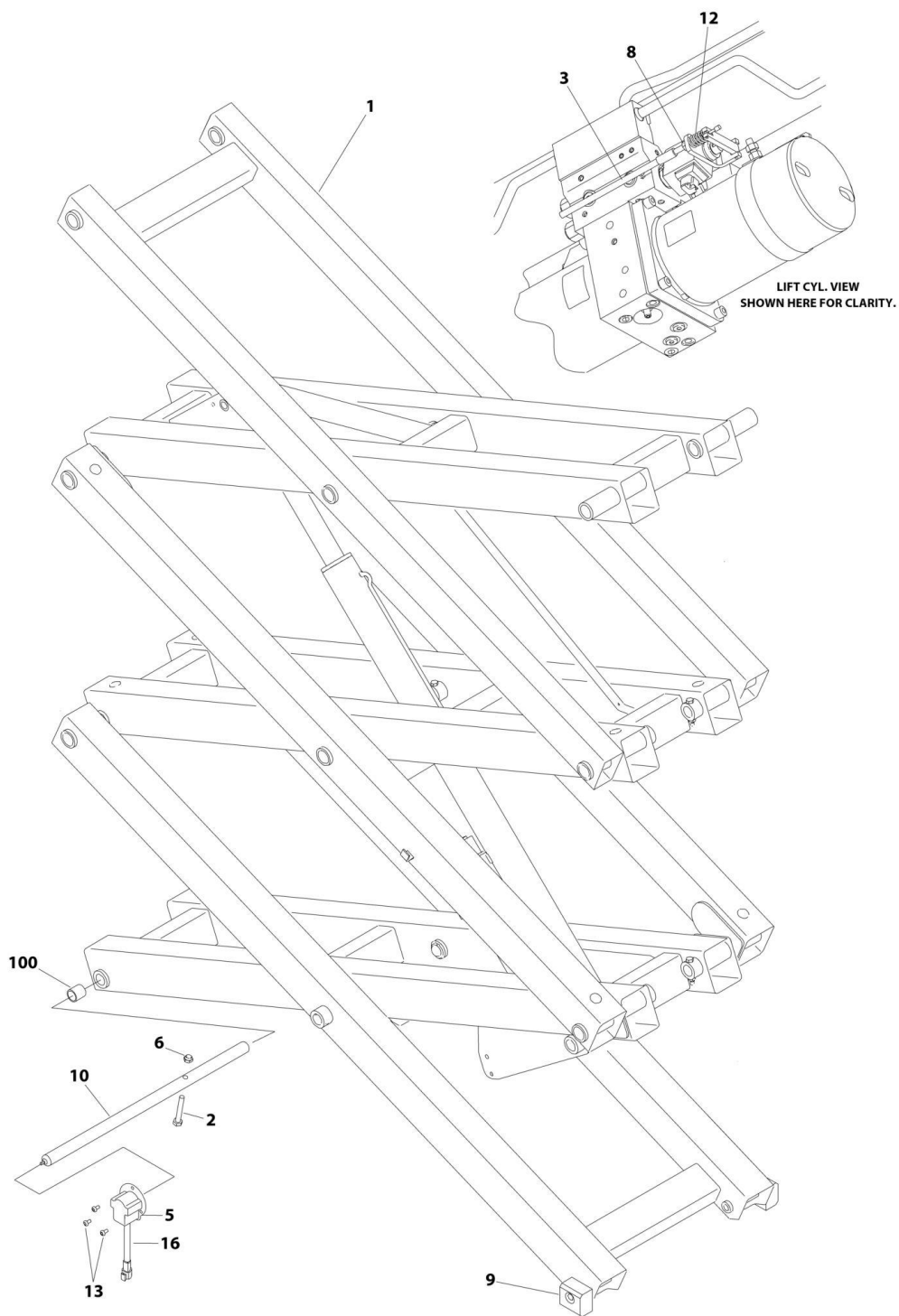
SECTION 3 - SCISSORS ARMS

FIGURE 3-2. SCISSORS ARMS ASSEMBLY - 2032ES STANDARD HYDRAULIC OIL (USA AND MEXICO BUILT MACHINES) (SN 0200000100 to Present, SN M200000100 through M200039289)

ITEM	PART NUMBER	QTY	DESCRIPTION	REV
	1001157316	Ref	SCISSORS ARMS ASSEMBLY - 2032ES STANDARD HYDRAULIC OIL (USA AND MEXICO BUILT MACHINES)	A
1	0200799	1	Arm - Mid Inboard	
2	0200802	1	Arm - Lower Outboard	
3	0200803	1	Arm - Mid Outboard (Left Side)	
4	0200804	1	Arm - Mid Outboard (Right Side)	
5	0200807	1	Arm - Upper Outboard	
6	0200816	1	Arm - Upper Inboard	
7	0200834	1	Arm - Lower Inboard	
8	0440266	4	Bearing	
9	0440267	28	Bearing	
10	0701015	1	Bolt M10 x 35	
11	0701022	15	Bolt M10 x 70	
12	1180382	1	Carrier, Cable	
13	1001155841	1	Lift Cylinder Assembly - Standard Hydraulic Oil (See CYLINDER SECTION for Breakdown)	
16	3340962	16	Pad, Arm	
17	3760170	2	Ring, Split	
18	3422997	7	Pin	
19	3423014	3	Pin	
20	3423036	4	Pin	
21	3423038	1	Pin	
22	3423067	1	Pin	
23	3574161	1	Bar, Prop Attach	
24	3760387	14	Ring, Retaining	
25	3841143	1	Keeper, Pin	
26	4071094	AR	Shim, Spacer	
27	4740438	14	Washer	
28	4812000	2	Washer M10	
29	3291007	16	Nut M10	

SECTION 3 - SCISSORS ARMS

FIGURE 3-3. SCISSORS ARMS INSTALLATION - 2032ES STANDARD HYDRAULIC OIL (BELGIUM AND CHINA BUILT MACHINES)



ART_1001131005

SECTION 3 - SCISSORS ARMS

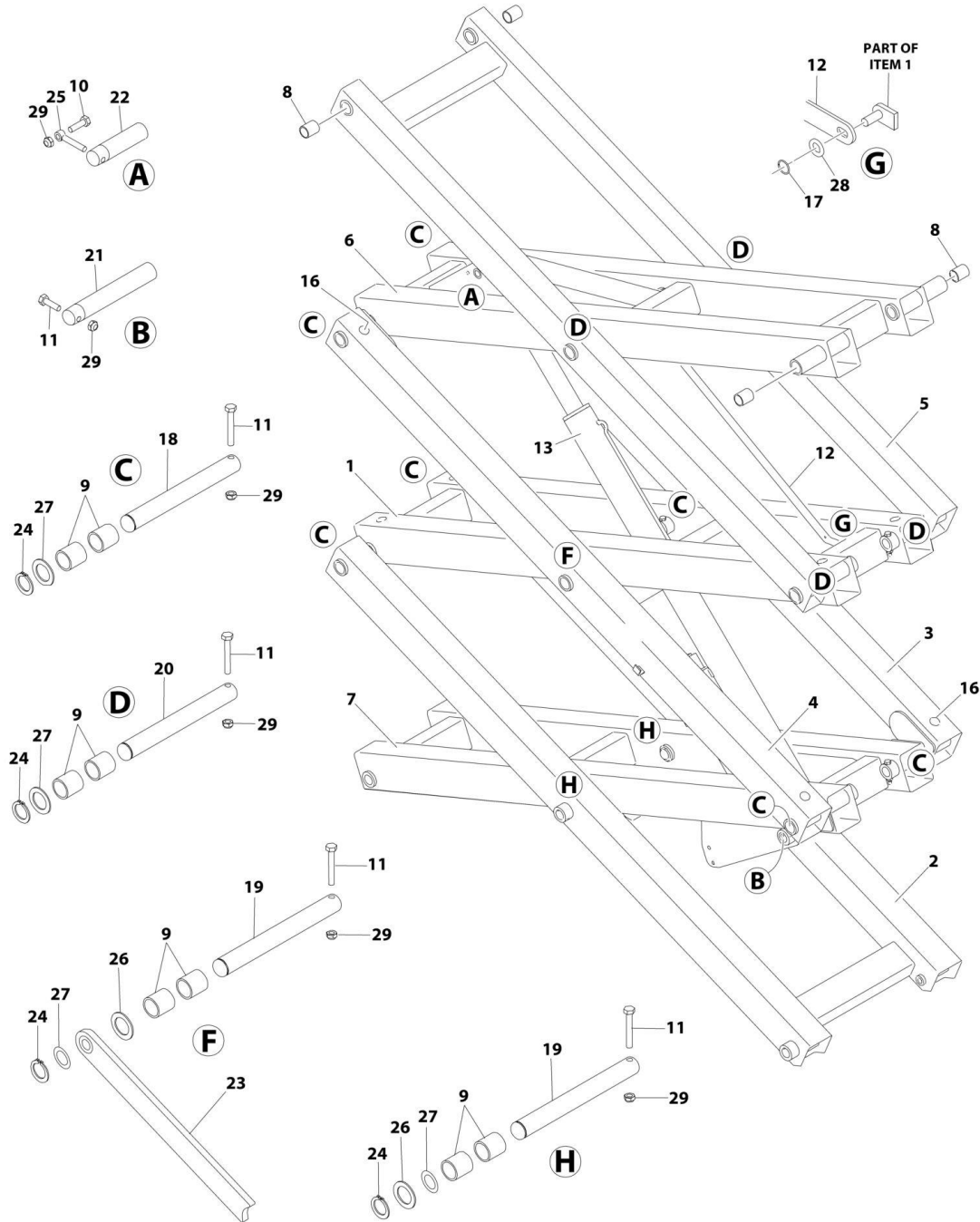
FIGURE 3-3. SCISSORS ARMS INSTALLATION - 2032ES STANDARD HYDRAULIC OIL (BELGIUM AND CHINA BUILT MACHINES)

ITEM	PART NUMBER	QTY	DESCRIPTION	REV
	1001131005	Ref	SCISSORS ARMS INSTALLATION - 2032ES STANDARD HYDRAULIC OIL (BELGIUM AND CHINA BUILT MACHINES)	D
1	1001131020	1	Arms Assembly (See SCISSORS ARMS ASSEMBLY - 2032ES STANDARD HYDRAULIC OIL (BELGIUM AND CHINA BUILT MACHINES) for Breakdown)	
2	0701022	1	Bolt M10 x 70	
3	1061034	1	Cable, Manual Descent	
3	7020218	1	T-Handle (With 1/4-20 Threads)	
3	70001878	1	T-Handle (With 5mm Threads)	
5	3200454	1	Mount, Switch	
6	3291005	1	Nut M10	
8	3321402	1	Nut 1/4-28	
9	3340957	2	Pad, Slide	
10	3423259	1	Pin, Sensor	
12	4160078	1	Spring, Compression	
13	4191706	3	Screw M6 x 12	
16	1001092354	1	Switch, Rotary Angle Sensor	
16	4460536	1	Receptacle, Female - 3 Position	
16	4460464	3	Pin, Male	
100	0440265	2	Bushing (Part of Frame Weldment)	

SECTION 3 - SCISSORS ARMS

FIGURE 3-4. SCISSORS ARMS ASSEMBLY - 2032ES STANDARD HYDRAULIC OIL (BELGIUM AND CHINA BUILT MACHINES)

NOTE: IDENTIFY THE PART NUMBER STAMPED ON CYLINDER BEFORE ORDERING PARTS.



ART_1001131020

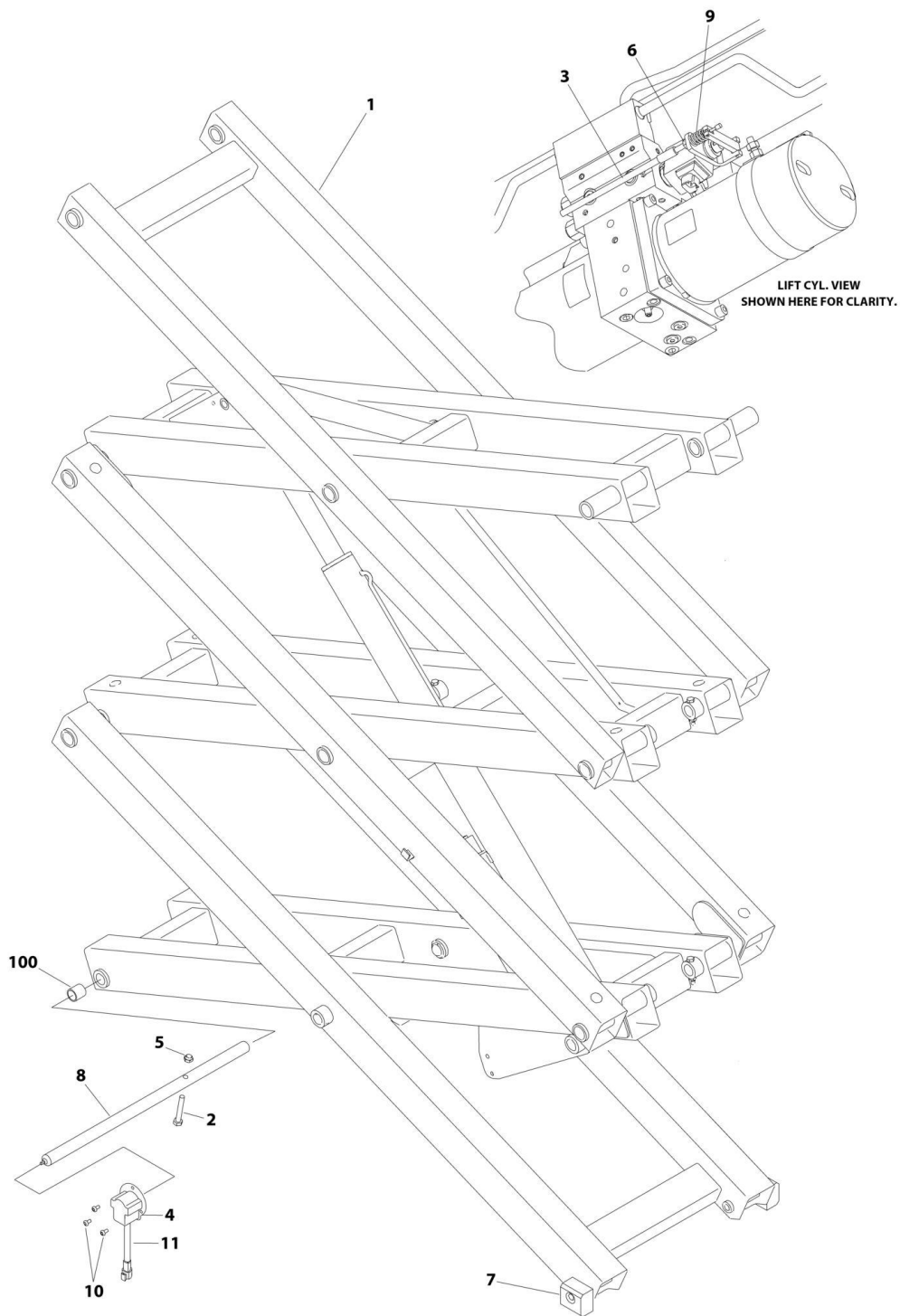
SECTION 3 - SCISSORS ARMS

FIGURE 3-4. SCISSORS ARMS ASSEMBLY - 2032ES STANDARD HYDRAULIC OIL (BELGIUM AND CHINA BUILT MACHINES)

ITEM	PART NUMBER	QTY	DESCRIPTION	REV
	1001131020	Ref	SCISSORS ARMS ASSEMBLY - 2032ES STANDARD HYDRAULIC OIL (BELGIUM AND CHINA BUILT MACHINES)	D
1	0200799	1	Arm - Mid Inboard	
2	0200802	1	Arm - Lower Outboard	
3	0200803	1	Arm - Mid Outboard (Left Side)	
4	0200804	1	Arm - Mid Outboard (Right Side)	
5	0200807	1	Arm - Upper Outboard	
6	0200816	1	Arm - Upper Inboard	
7	0200834	1	Arm - Lower Inboard	
8	0440266	4	Bearing	
9	0440267	28	Bearing	
10	0701015	1	Bolt M10 x 35	
11	0701022	15	Bolt M10 x 70	
12	1180382	1	Carrier, Cable	
13	1001129289	1	Lift Cylinder Assembly - Standard Hydraulic Oil (See CYLINDER SECTION for Breakdown)	
16	3340962	16	Pad, Arm	
17	3760170	2	Ring, Split	
18	3422997	7	Pin	
19	3423014	3	Pin	
20	3423036	4	Pin	
21	3423038	1	Pin	
22	3423067	1	Pin	
23	3574161	1	Bar, Prop Attach	
24	3760387	14	Ring, Retaining	
25	3841143	1	Keeper, Pin	
26	4071094	AR	Shim, Spacer	
27	4740438	14	Washer	
28	4812000	2	Washer M10	
29	3291007	16	Nut M10	

SECTION 3 - SCISSORS ARMS

FIGURE 3-5. SCISSORS ARMS INSTALLATION - 2032ES BIODEGRADABLE HYDRAULIC OIL (USA AND MEXICO BUILT MACHINES) (SN 0200000100 to Present, SN M200000100 through M200039289)



ART_1001157340

SECTION 3 - SCISSORS ARMS

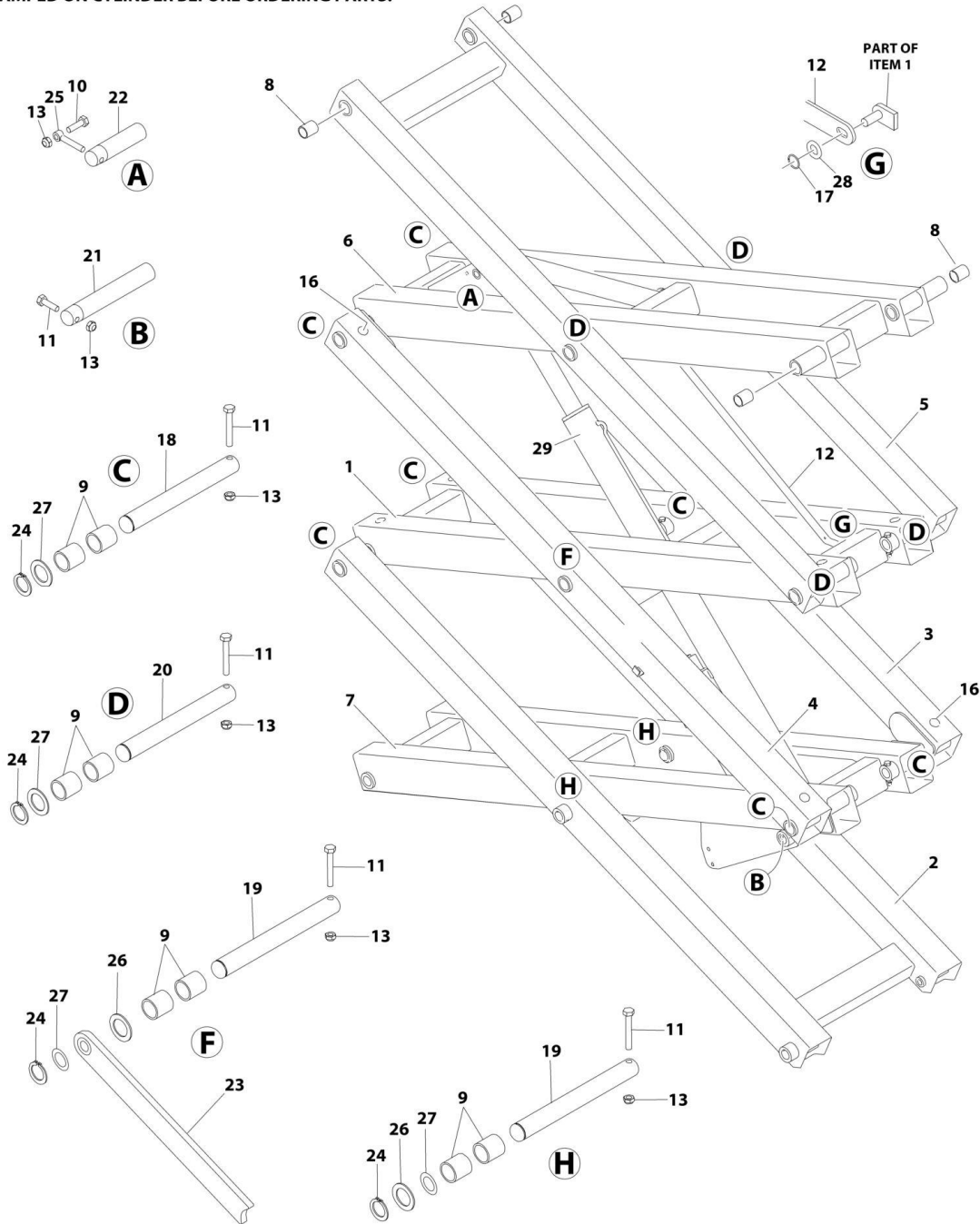
FIGURE 3-5. SCISSORS ARMS INSTALLATION - 2032ES BIODEGRADEABLE HYDRAULIC OIL (USA AND MEXICO BUILT MACHINES) (SN 0200000100 to Present, SN M200000100 through M200039289)

ITEM	PART NUMBER	QTY	DESCRIPTION	REV
	1001157340	Ref	SCISSORS ARMS INSTALLATION - 2032ES BIODEGRADEABLE HYDRAULIC OIL (USA AND MEXICO BUILT MACHINES)	A
1	1001157335	1	Arms Assembly (See SCISSORS ARMS ASSEMBLY - 2032ES BIODEGRADEABLE HYDRAULIC OIL (USA AND MEXICO BUILT MACHINES) for Breakdown)	
2	0701022	1	Bolt M10 x 70	
3	1061034	1	Cable, Manual Descent	
3	7020218	1	T-Handle (With 1/4-20 Threads)	
3	70001878	1	T-Handle (With 5mm Threads)	
4	3200454	1	Mount, Switch	
5	3291005	1	Nut M10	
6	3321402	1	Nut 1/4-28	
7	3340957	2	Pad, Slide	
8	3423259	1	Pin, Sensor	
9	4160078	1	Spring, Compression	
10	4191706	3	Screw M6 x 12	
11	1001092354	1	Switch, Rotary Angle Sensor	
11	4460536	1	Receptacle, Female - 3 Position	
11	4460464	3	Pin, Male	
100	0440265	2	Bushing (Part of Frame Weldment)	

SECTION 3 - SCISSORS ARMS

FIGURE 3-6. SCISSORS ARMS ASSEMBLY - 2032ES BIODEGRADABLE HYDRAULIC OIL (USA AND MEXICO BUILT MACHINES) (SN 0200000100 to Present, SN M200000100 through M200039289)

NOTE: IDENTIFY THE PART NUMBER STAMPED ON CYLINDER BEFORE ORDERING PARTS.



ART_1001157335

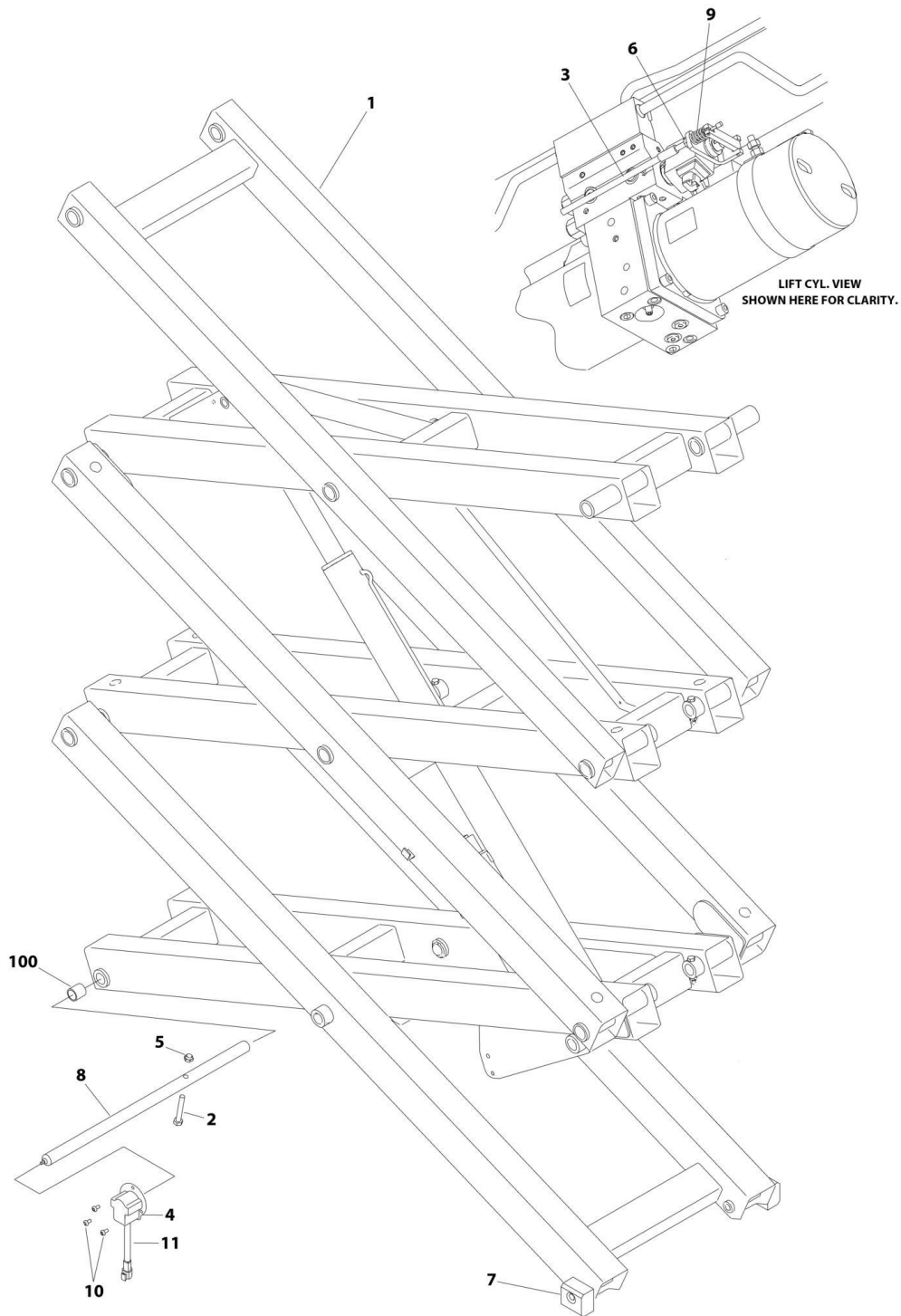
SECTION 3 - SCISSORS ARMS

FIGURE 3-6. SCISSORS ARMS ASSEMBLY - 2032ES BIODEGRADEABLE HYDRAULIC OIL (USA AND MEXICO BUILT MACHINES) (SN 020000100 to Present, SN M200000100 through M200039289)

ITEM	PART NUMBER	QTY	DESCRIPTION	REV
	1001157335	Ref	SCISSORS ARMS ASSEMBLY - 2032ES BIODEGRADEABLE HYDRAULIC OIL (USA AND MEXICO BUILT MACHINES)	A
1	0200799	1	Arm - Mid Inboard	
2	0200802	1	Arm - Lower Outboard	
3	0200803	1	Arm - Mid Outboard (Left Side)	
4	0200804	1	Arm - Mid Outboard (Right Side)	
5	0200807	1	Arm - Upper Outboard	
6	0200816	1	Arm - Upper Inboard	
7	0200834	1	Arm - Lower Inboard	
8	0440266	4	Bearing	
9	0440267	28	Bearing	
10	0701015	1	Bolt M10 x 35	
11	0701022	15	Bolt M10 x 70	
12	1180382	1	Carrier, Cable	
13	3291007	16	Nut M10	
16	3340962	16	Pad, Arm	
17	3760170	2	Ring, Split	
18	3422997	7	Pin	
19	3423014	3	Pin	
20	3423036	4	Pin	
21	3423038	1	Pin	
22	3423067	1	Pin	
23	3574161	1	Bar, Prop Attach	
24	3760387	14	Ring, Retaining	
25	3841143	1	Keeper, Pin	
26	4071094	AR	Shim, Spacer	
27	4740438	14	Washer	
28	4812000	2	Washer M10	
29	1001157330	1	Lift Cylinder Assembly - Biodegradeable Hydraulic Oil (See CYLINDER SECTION for Breakdown)	

SECTION 3 - SCISSORS ARMS

FIGURE 3-7. SCISSORS ARMS INSTALLATION - 2032ES BIODEGRADABLE HYDRAULIC OIL (CHINA BUILT MACHINES)



ART_1001131010

SECTION 3 - SCISSORS ARMS

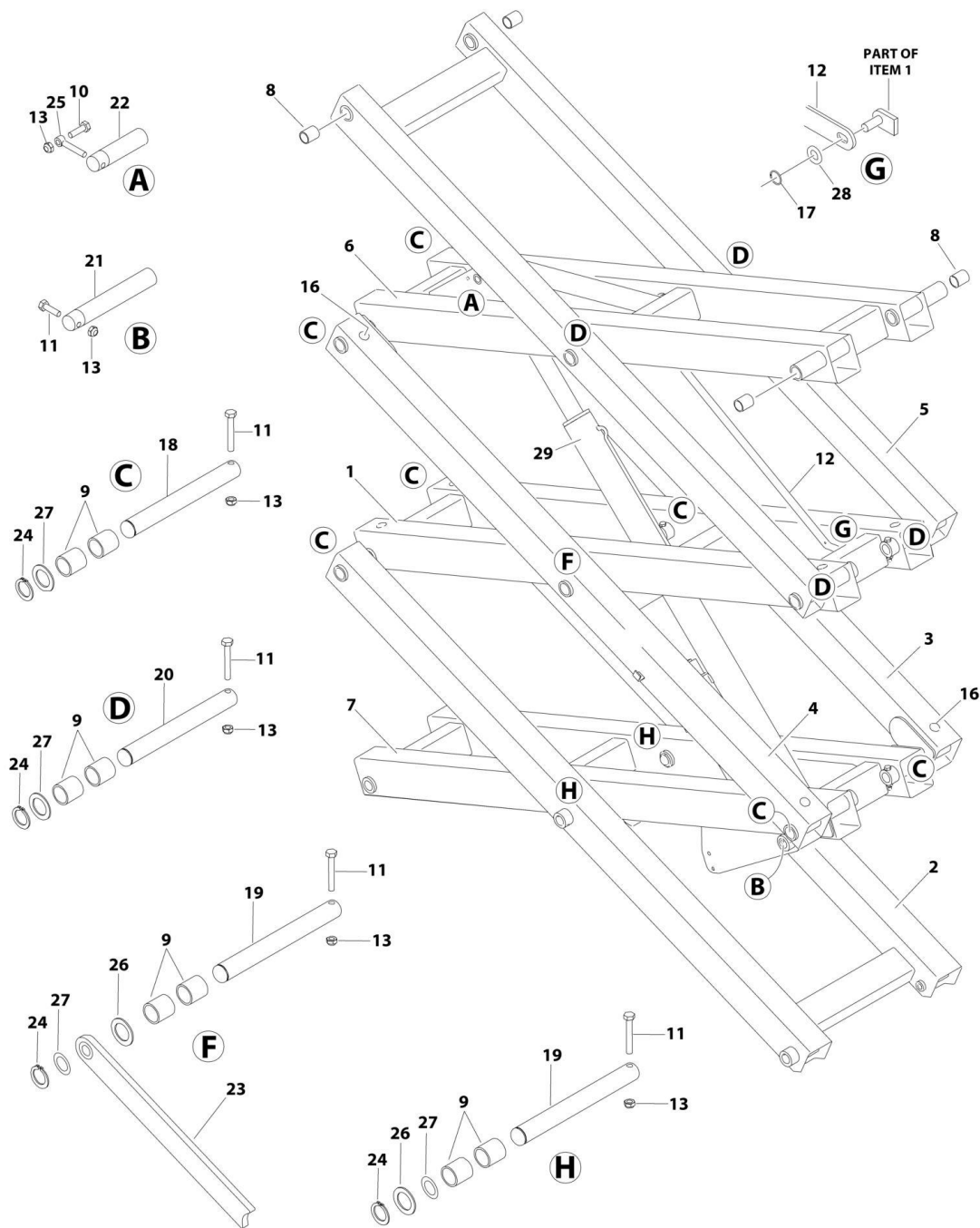
**FIGURE 3-7. SCISSORS ARMS INSTALLATION - 2032ES BIODEGRADABLE HYDRAULIC OIL
(CHINA BUILT MACHINES)**

ITEM	PART NUMBER	QTY	DESCRIPTION	REV
	1001131010	Ref	SCISSORS ARMS INSTALLATION - 2032ES BIODEGRADABLE HYDRAULIC OIL (CHINA BUILT MACHINES)	C
1	1001131028	1	Arms Assembly (See SCISSORS ARMS ASSEMBLY - 2032ES BIODEGRADABLE HYDRAULIC OIL (CHINA BUILT MACHINES) for Breakdown)	
2	0701022	1	Bolt M10 x 70	
3	1061034	1	Cable, Manual Descent	
3	7020218	1	T-Handle (With 1/4-20 Threads)	
3	70001878	1	T-Handle (With 5mm Threads)	
4	3200454	1	Mount, Switch	
5	3291005	1	Nut M10	
6	3321402	1	Nut 1/4-28	
7	3340957	2	Pad, Slide	
8	3423259	1	Pin, Sensor	
9	4160078	1	Spring, Compression	
10	4191706	3	Screw M6 x 12	
11	1001092354	1	Switch, Rotary Angle Sensor	
11	4460536	1	Receptacle, Female - 3 Position	
11	4460464	3	Pin, Male	
100	0440265	2	Bushing (Part of Frame Weldment)	

SECTION 3 - SCISSORS ARMS

FIGURE 3-8. SCISSORS ARMS ASSEMBLY - 2032ES BIODEGRADABLE HYDRAULIC OIL (CHINA BUILT MACHINES)

NOTE: IDENTIFY THE PART NUMBER STAMPED ON CYLINDER BEFORE ORDERING PARTS.



ART_1001131028

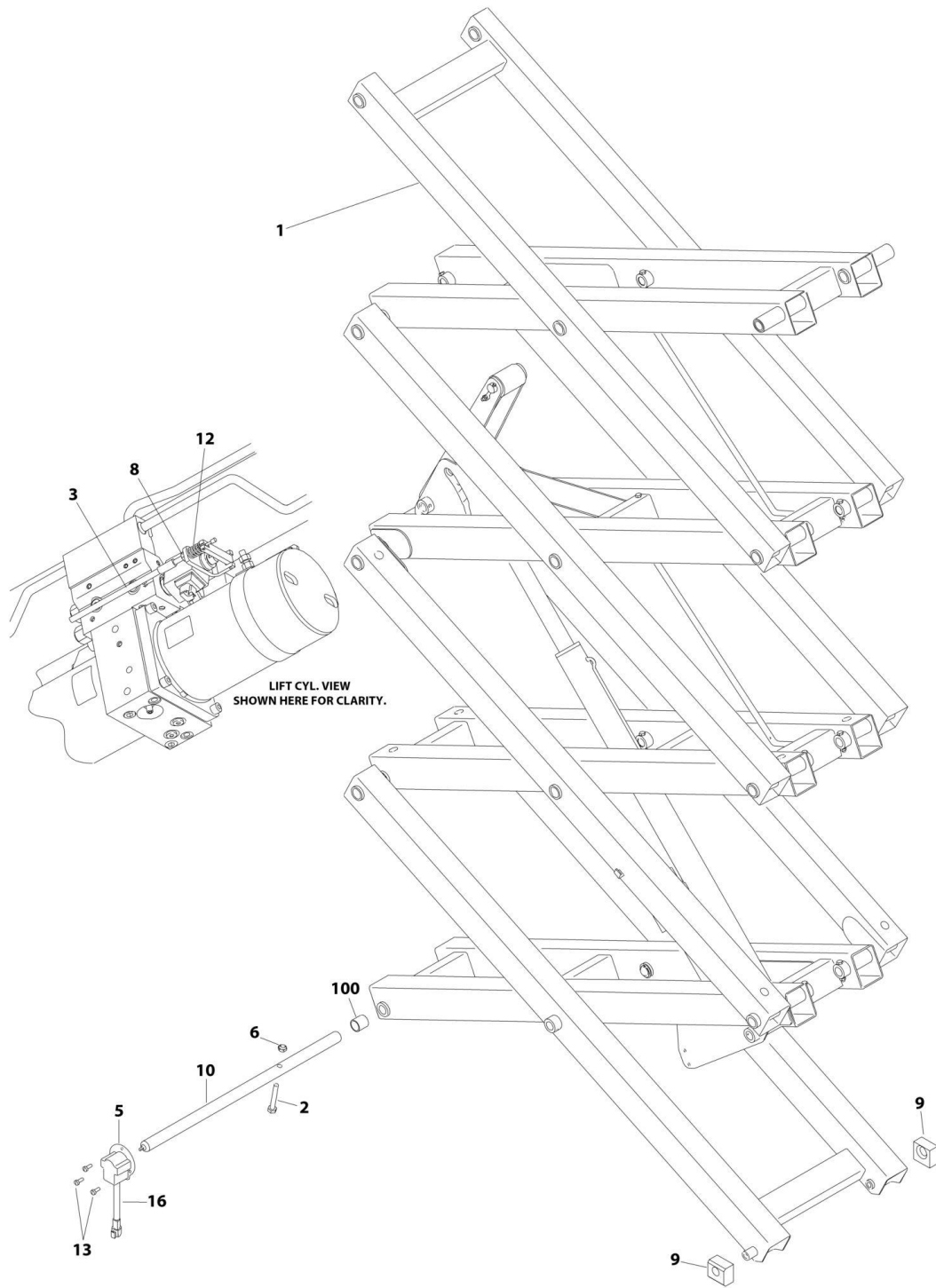
SECTION 3 - SCISSORS ARMS

FIGURE 3-8. SCISSORS ARMS ASSEMBLY - 2032ES BIODEGRADABLE HYDRAULIC OIL (CHINA BUILT MACHINES)

ITEM	PART NUMBER	QTY	DESCRIPTION	REV
	1001131028	Ref	SCISSORS ARMS ASSEMBLY - 2032ES BIODEGRADABLE HYDRAULIC OIL (CHINA BUILT MACHINES)	D
1	0200799	1	Arm - Mid Inboard	
2	0200802	1	Arm - Lower Outboard	
3	0200803	1	Arm - Mid Outboard (Left Side)	
4	0200804	1	Arm - Mid Outboard (Right Side)	
5	0200807	1	Arm - Upper Outboard	
6	0200816	1	Arm - Upper Inboard	
7	0200834	1	Arm - Lower Inboard	
8	0440266	4	Bearing	
9	0440267	28	Bearing	
10	0701015	1	Bolt M10 x 35	
11	0701022	15	Bolt M10 x 70	
12	1180382	1	Carrier, Cable	
13	3291007	16	Nut M10	
16	3340962	16	Pad, Arm	
17	3760170	2	Ring, Split	
18	3422997	7	Pin	
19	3423014	3	Pin	
20	3423036	4	Pin	
21	3423038	1	Pin	
22	3423067	1	Pin	
23	3574161	1	Bar, Prop Attach	
24	3760387	14	Ring, Retaining	
25	3841143	1	Keeper, Pin	
26	4071094	AR	Shim, Spacer	
27	4740438	14	Washer	
28	4812000	2	Washer M10	
29	1001131034	1	Lift Cylinder Assembly - Biodegradeable Hydraulic Oil (See CYLINDER SECTION for Breakdown)	

SECTION 3 - SCISSORS ARMS

FIGURE 3-9. SCISSORS ARMS INSTALLATION - 2632ES STANDARD HYDRAULIC OIL (USA BUILT MACHINES) (SN 0200000001 through 0200241220)



ART_1001157323

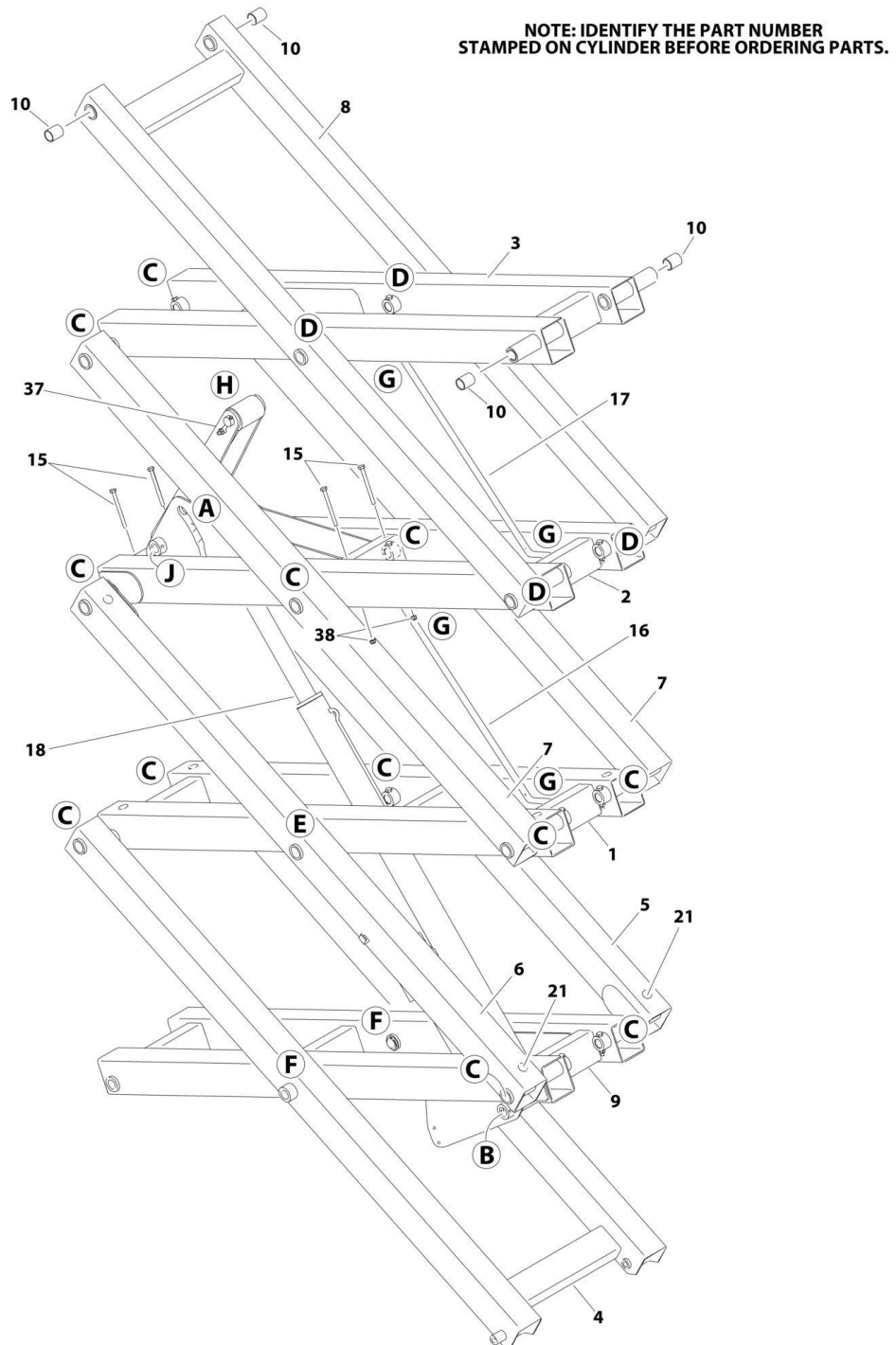
SECTION 3 - SCISSORS ARMS

FIGURE 3-9. SCISSORS ARMS INSTALLATION - 2632ES STANDARD HYDRAULIC OIL (USA BUILT MACHINES) (SN 0200000001 through 0200241220)

ITEM	PART NUMBER	QTY	DESCRIPTION	REV
	1001157323	Ref	SCISSORS ARMS INSTALLATION - 2632ES STANDARD HYDRAULIC OIL (USA BUILT MACHINES) (SN 0200000001 through 0200241220)	B
1	1001157317	1	Arms Assembly (See SCISSORS ARMS ASSEMBLY - 2632ES STANDARD HYDRAULIC OIL (USA BUILT MACHINES) for Breakdown)	
2	0701022	1	Bolt M10 x 70	
3	1061034	1	Cable, Manual Descent	
3	7020218	1	T-Handle (With 1/4-20 Threads)	
3	70001878	1	T-Handle (With M5 Threads)	
5	3200454	1	Mount, Switch	
6	3291005	1	Nut M10	
8	3321402	1	Nut 1/4-28	
9	3340957	2	Pad, Slide	
10	3423259	1	Pin, Sensor	
12	4160078	1	Spring, Compression	
13	4191706	3	Screw M6 x 12	
16	1001092354	1	Switch, Rotary Angle Sensor	
16	4460536	1	Receptacle, Female - 3 Position	
16	4460464	3	Pin, Male	
100	0440265	1	Bushing (Part of Frame Weldment)	

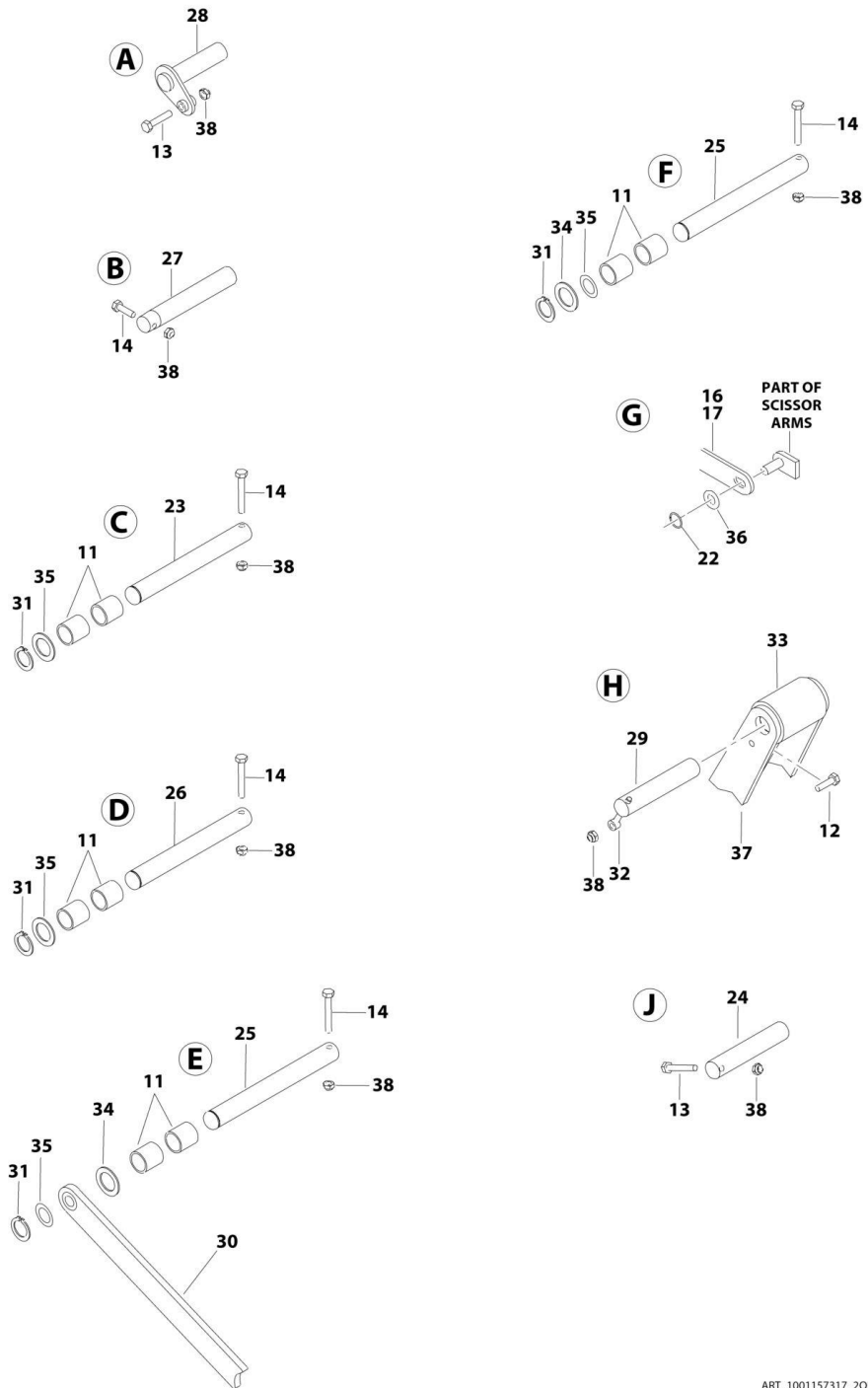
SECTION 3 - SCISSORS ARMS

FIGURE 3-10. SCISSORS ARMS ASSEMBLY - 2632ES STANDARD HYDRAULIC OIL (USA BUILT MACHINES) (SN 020000001 through 0200241220)



ART_1001157317_10F2

SECTION 3 - SCISSORS ARMS



ART_1001157317_20F2

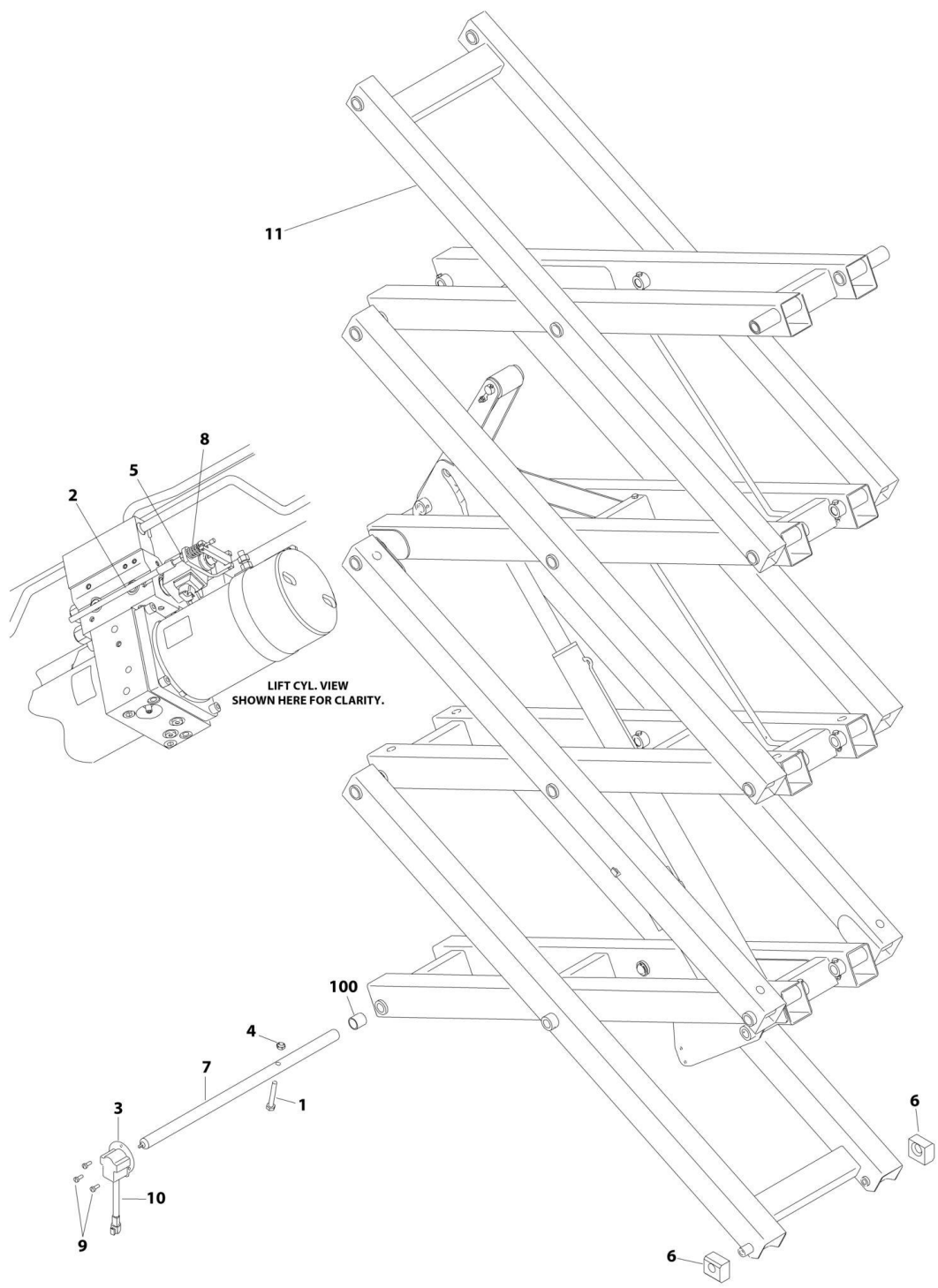
SECTION 3 - SCISSORS ARMS

FIGURE 3-10. SCISSORS ARMS ASSEMBLY - 2632ES STANDARD HYDRAULIC OIL (USA BUILT MACHINES) (SN 0200000001 through 0200241220)

ITEM	PART NUMBER	QTY	DESCRIPTION	REV
	1001157317	Ref	SCISSORS ARMS ASSEMBLY - 2632ES STANDARD HYDRAULIC OIL (USA BUILT MACHINES) (SN 0200000001 through 0200241220)	B
1	0200799	1	Arm - Lower Mid Inboard	
2	0200800	1	Arm - Upper Mid Inboard	
3	0200801	1	Arm - Upper Inboard	
4	0200802	1	Arm - Lower Outboard	
5	0200803	1	Arm - Lower Mid Outboard (Left Side)	
6	0200804	1	Arm - Lower Mid Outboard (Right Side)	
7	0200805	2	Arm - Upper Mid Out board	
8	0200807	1	Arm - Upper Outboard	
9	0200834	1	Arm - Lower Inboard	
10	0440266	4	Bearing	
11	0440267	42	Bearing	
12	0701015	1	Bolt M10 x 35	
13	0701017	1	Bolt M10 x 45	
14	0701022	18	Bolt M10 x 70	
15	0701029	4	Bolt M10 x 120	
16	1180382	1	Carrier, Cable	
17	1180383	1	Carrier, Cable	
18	1001155842	1	Lift Cylinder Assembly - Standard Hydraulic Oil (See CYLINDER SECTION for Breakdown)	
21	3340962	24	Pad, Arm	
22	3760170	2	Ring, Split	
23	3422997	13	Pin	
24	3422998	1	Pin	
25	3423014	3	Pin	
26	3423036	4	Pin	
27	3423038	1	Pin	
28	3423039	1	Pin	
29	3423067	1	Pin	
30	3574161	1	Bar, Prop Attach	
31	3760387	20	Ring, Retaining	
32	3841143	1	Keeper, Pin	
33	3860107	1	Roller	
34	4071094	AR	Shim, Spacer	
35	4740438	20	Washer	
36	4812000	2	Washer M10	
37	4846752	1	Kicker, Arm	
38	3291007	24	Nut M10	

SECTION 3 - SCISSORS ARMS

FIGURE 3-11. SCISSORS ARMS INSTALLATION - 2632ES STANDARD HYDRAULIC OIL (USA AND MEXICO BUILT MACHINES) (SN 0200241221 to Present, SN M200000100 through M200022019)



ART_1001190908

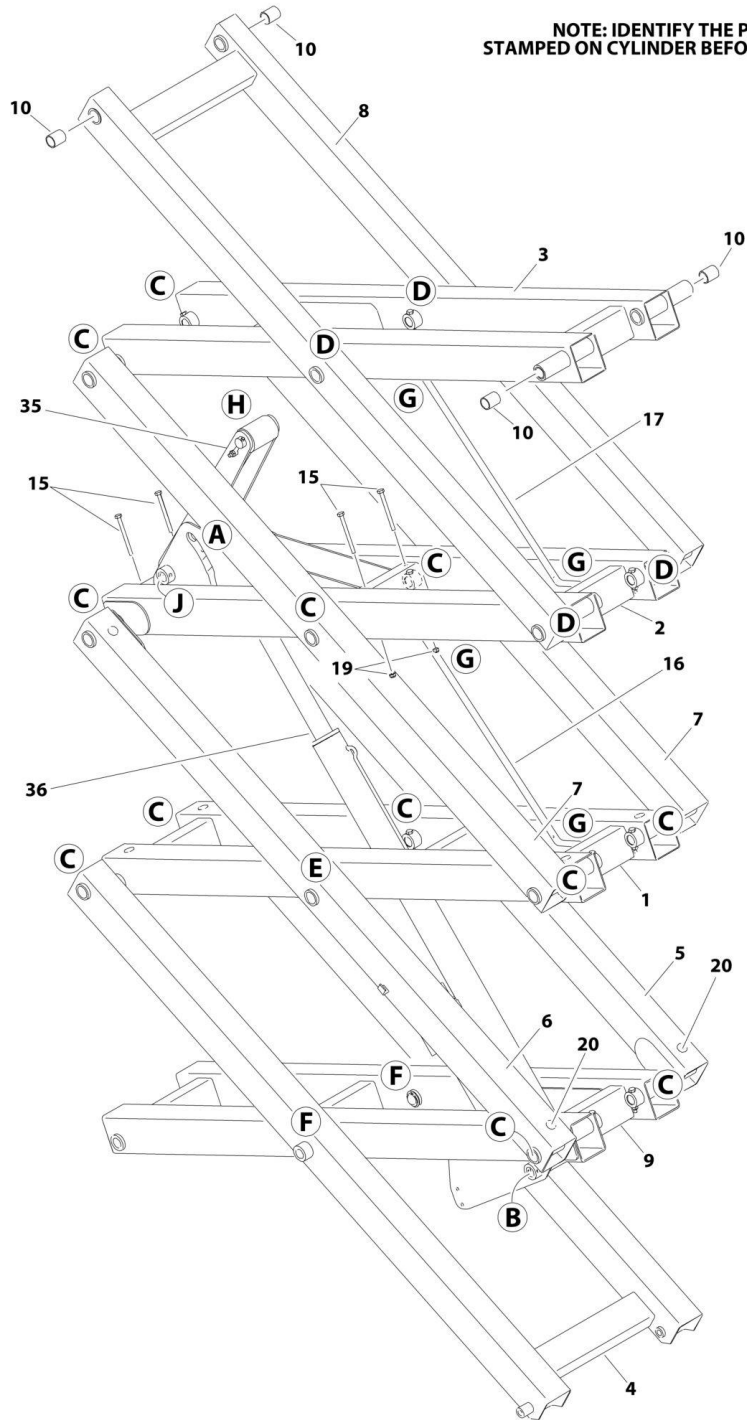
SECTION 3 - SCISSORS ARMS

FIGURE 3-11. SCISSORS ARMS INSTALLATION - 2632ES STANDARD HYDRAULIC OIL (USA AND MEXICO BUILT MACHINES) (SN 0200241221 to Present, SN M200000100 through M200022019)

ITEM	PART NUMBER	QTY	DESCRIPTION	REV
	1001190908	Ref	SCISSORS ARMS INSTALLATION - 2632ES STANDARD HYDRAULIC OIL (USA AND MEXICO BUILT MACHINES) (SN 0200241221 to Present, SN M200000100 through M200022019)	A
1	0701022	1	Bolt M10 x 70	
2	1061034	1	Cable, Manual Descent	
2	7020218	1	T-Handle (With 1/4-20 Threads)	
2	70001878	1	T-Handle (With M5 Threads)	
3	3200454	1	Mount, Switch	
4	3291005	1	Nut M10	
5	3321402	1	Nut 1/4-28	
6	3340957	2	Pad, Slide	
7	3423259	1	Pin, Sensor	
8	4160078	1	Spring, Compression	
9	4191706	3	Screw M6 x 12	
10	1001092354	1	Switch, Rotary Angle Sensor	
10	4460536	1	Receptacle, Female - 3 Position	
10	4460464	3	Pin, Male	
11	1001190907	1	Arms Assembly (See SCISSORS ARMS ASSEMBLY - 2632ES STANDARD HYDRAULIC OIL (USA AND MEXICO BUILT MACHINES) for Breakdown)	
100	0440265	1	Bushing (Part of Frame Weldment)	

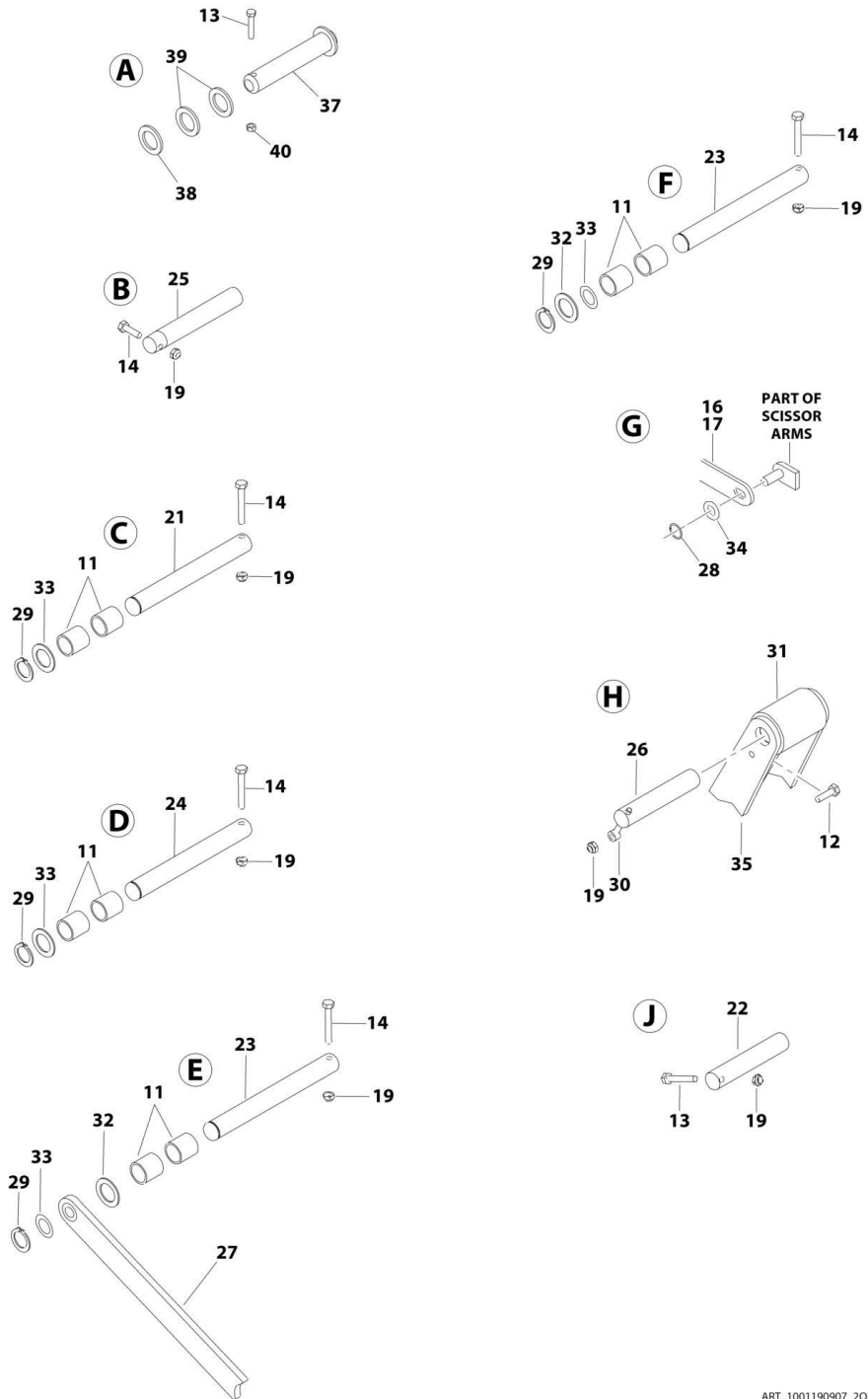
SECTION 3 - SCISSORS ARMS

FIGURE 3-12. SCISSORS ARMS ASSEMBLY - 2632ES STANDARD HYDRAULIC OIL (USA AND MEXICO BUILT MACHINES) (SN 0200241221 to Present, SN M200000100 through M200039289)



ART_1001190907_10F2

SECTION 3 - SCISSORS ARMS



ART_1001190907_20F2

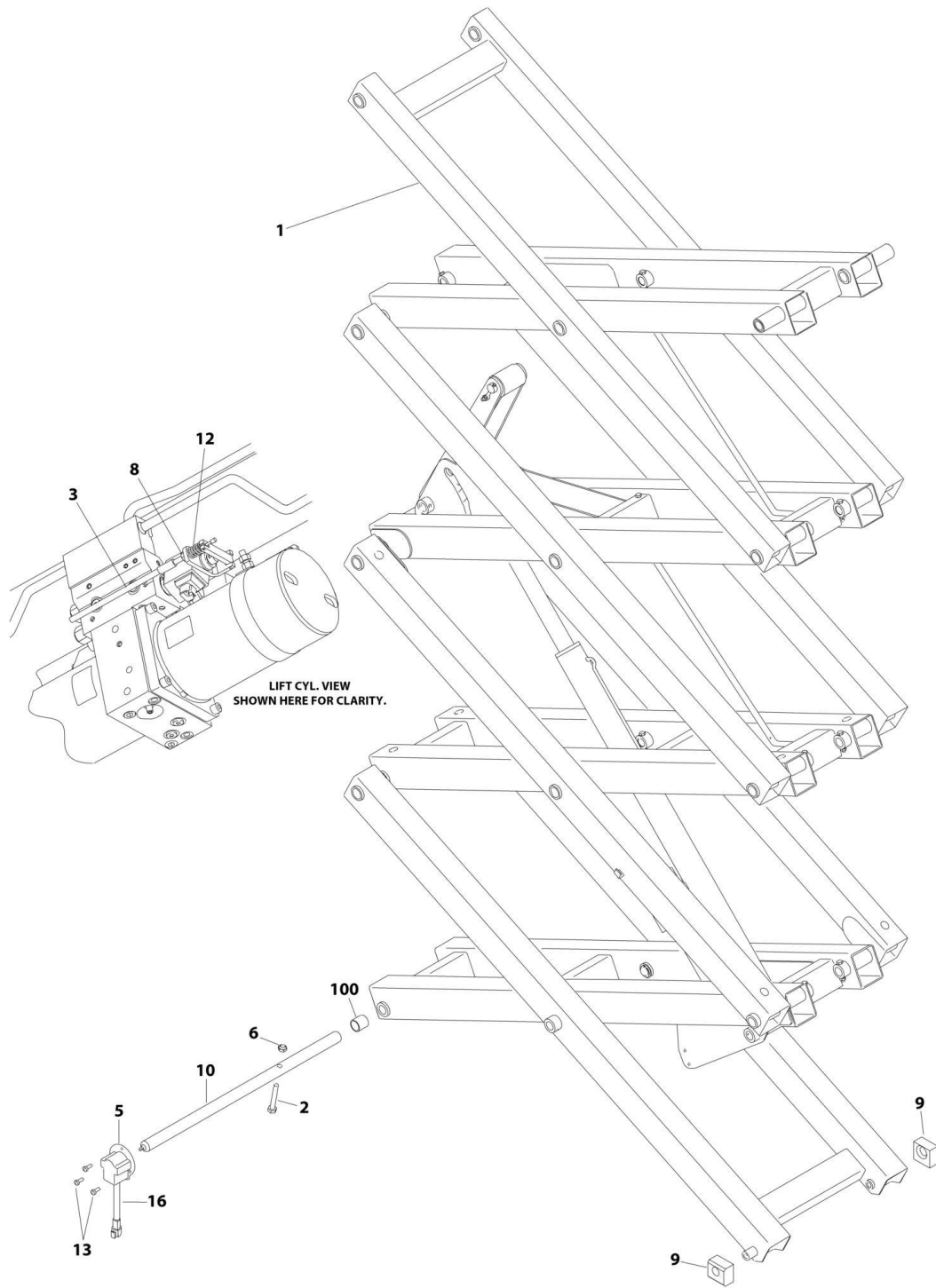
SECTION 3 - SCISSORS ARMS

FIGURE 3-12. SCISSORS ARMS ASSEMBLY - 2632ES STANDARD HYDRAULIC OIL (USA AND MEXICO BUILT MACHINES) (SN 0200241221 to Present, SN M200000100 through M200039289)

ITEM	PART NUMBER	QTY	DESCRIPTION	REV
	1001190907	Ref	SCISSORS ARMS ASSEMBLY - 2632ES STANDARD HYDRAULIC OIL (USA AND MEXICO BUILT MACHINES)	B
1	0200799	1	Arm - Lower Mid Inboard	
2	0200800	1	Arm - Upper Mid Inboard	
3	0200801	1	Arm - Upper Inboard	
4	0200802	1	Arm - Lower Outboard	
5	0200803	1	Arm - Lower Mid Outboard (Left Side)	
6	0200804	1	Arm - Lower Mid Outboard (Right Side)	
7	0200805	2	Arm - Upper Mid Outboard	
8	0200807	1	Arm - Upper Outboard	
9	0200834	1	Arm - Lower Inboard	
10	0440266	4	Bearing	
11	0440267	42	Bearing	
12	0701015	1	Bolt M10 x 35	
13	0700817	1	Bolt M8 x 45	
14	0701022	18	Bolt M10 x 70	
15	0701029	4	Bolt M10 x 120	
16	1180382	1	Carrier, Cable	
17	1180383	1	Carrier, Cable	
19	3291007	23	Nut M10	
20	3340962	24	Pad, Arm	
21	3422997	13	Pin	
22	3422998	1	Pin	
23	3423014	3	Pin	
24	3423036	4	Pin	
25	3423038	1	Pin	
26	3423067	1	Pin	
27	3574161	1	Bar, Prop Attach	
28	3760170	4	Ring, Split	
29	3760387	20	Ring, Retaining	
30	3841143	1	Keeper, Pin	
31	3860107	1	Roller	
32	4071094	AR	Shim, Spacer	
33	4740438	20	Washer	
34	4812000	4	Washer M10	
35	4846752	1	Kicker, Arm	
36	1001155842	1	Lift Cylinder Assembly - Standard Hydraulic Oil (See CYLINDER SECTION for Breakdown)	
37	1001177911	1	Pin	
38	1001177913	1	Plate	
39	1001177914	2	Washer	
40	3290807	1	Nut M8	

SECTION 3 - SCISSORS ARMS

FIGURE 3-13. SCISSORS ARMS INSTALLATION - 2632ES STANDARD HYDRAULIC OIL (CHINA BUILT MACHINES) (SN B200000100 through B200020981)



ART_1001131006

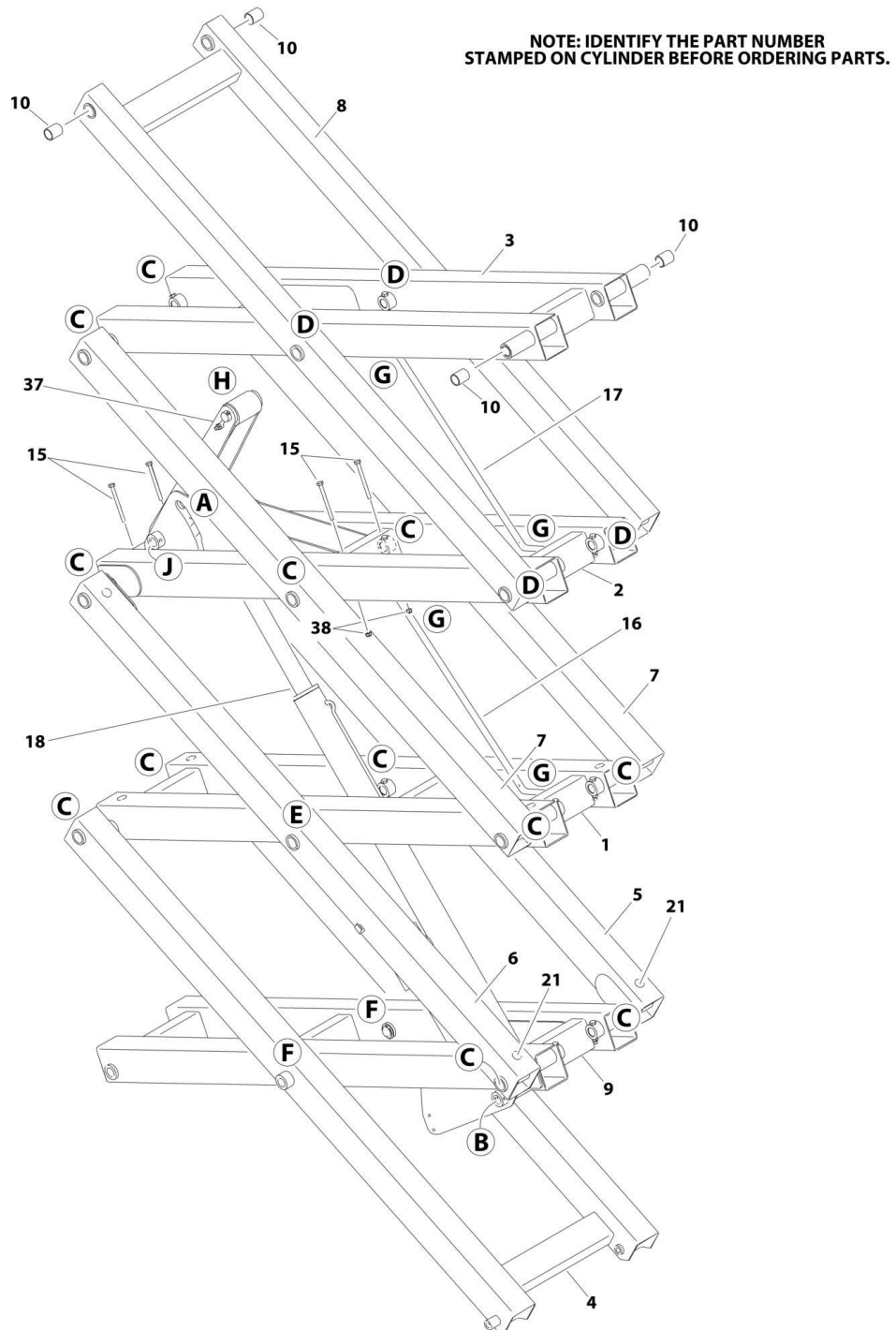
SECTION 3 - SCISSORS ARMS

FIGURE 3-13. SCISSORS ARMS INSTALLATION - 2632ES STANDARD HYDRAULIC OIL (CHINA BUILT MACHINES) (SN B200000100 through B200020981)

ITEM	PART NUMBER	QTY	DESCRIPTION	REV
	1001131006	Ref	SCISSORS ARMS INSTALLATION - 2632ES STANDARD HYDRAULIC OIL (CHINA BUILT MACHINES) (SN B200000100 through B200020981)	D
1	1001131021	1	Arms Assembly (See SCISSORS ARMS ASSEMBLY - 2632ES STANDARD HYDRAULIC OIL for Breakdown)	
2	0701022	1	Bolt M10 x 70	
3	1061034	1	Cable, Manual Descent	
3	7020218	1	T-Handle (With 1/4-20 Threads)	
3	70001878	1	T-Handle (With M5 Threads)	
5	3200454	1	Mount, Switch	
6	3291005	1	Nut M10	
8	3321402	1	Nut 1/4-28	
9	3340957	2	Pad, Slide	
10	3423259	1	Pin, Sensor	
12	4160078	1	Spring, Compression	
13	4191706	3	Screw M6 x 12	
16	1001092354	1	Switch, Rotary Angle Sensor	
16	4460536	1	Receptacle, Female - 3 Position	
16	4460464	3	Pin, Male	
100	0440265	1	Bushing (Part of Frame Weldment)	

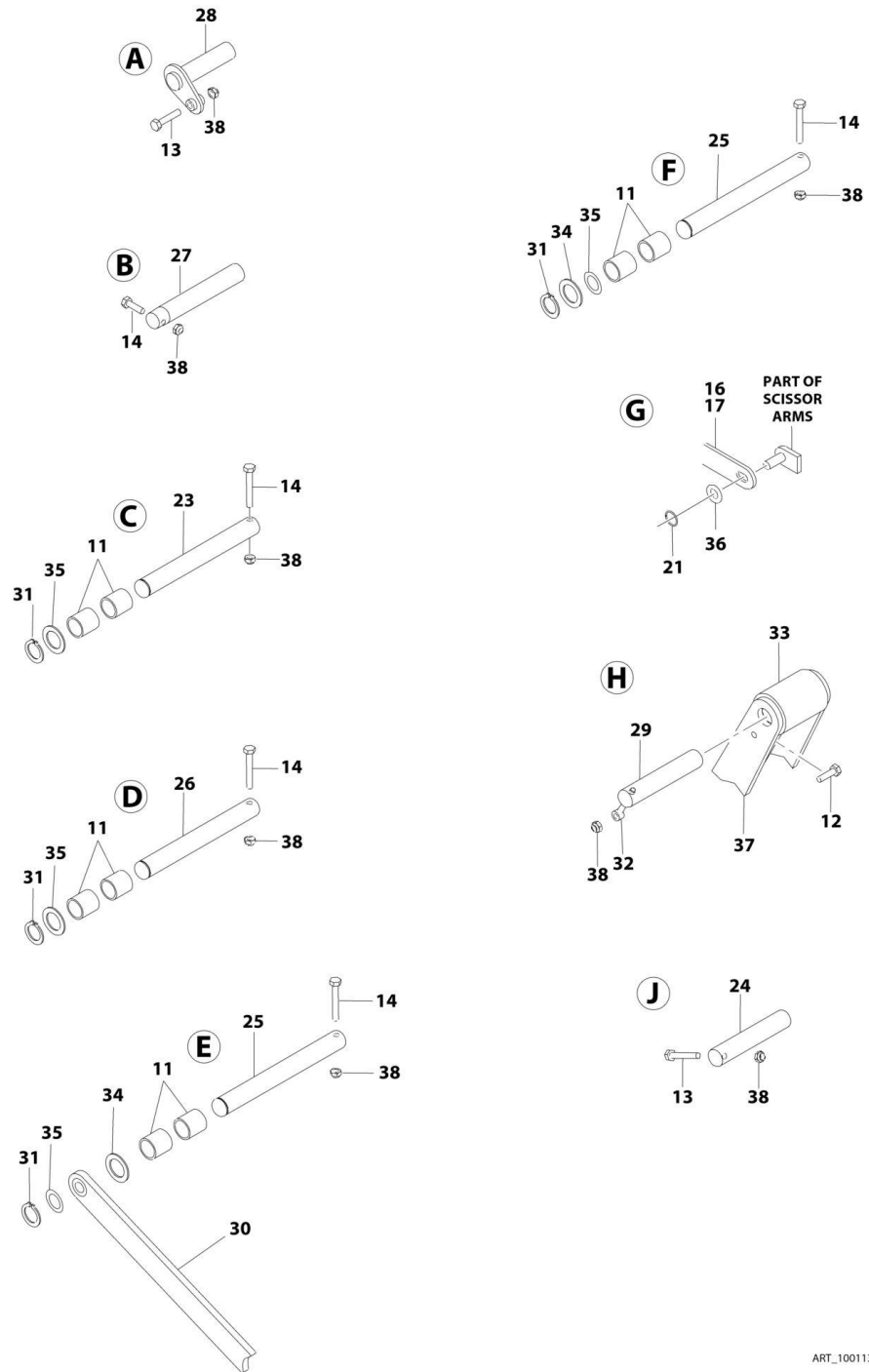
SECTION 3 - SCISSORS ARMS

FIGURE 3-14. SCISSORS ARMS ASSEMBLY - 2632ES STANDARD HYDRAULIC OIL (CHINA BUILT MACHINES) (SN B200000100 through B200020981)



ART_1001131021_10F2

SECTION 3 - SCISSORS ARMS



ART_1001131021_20F2

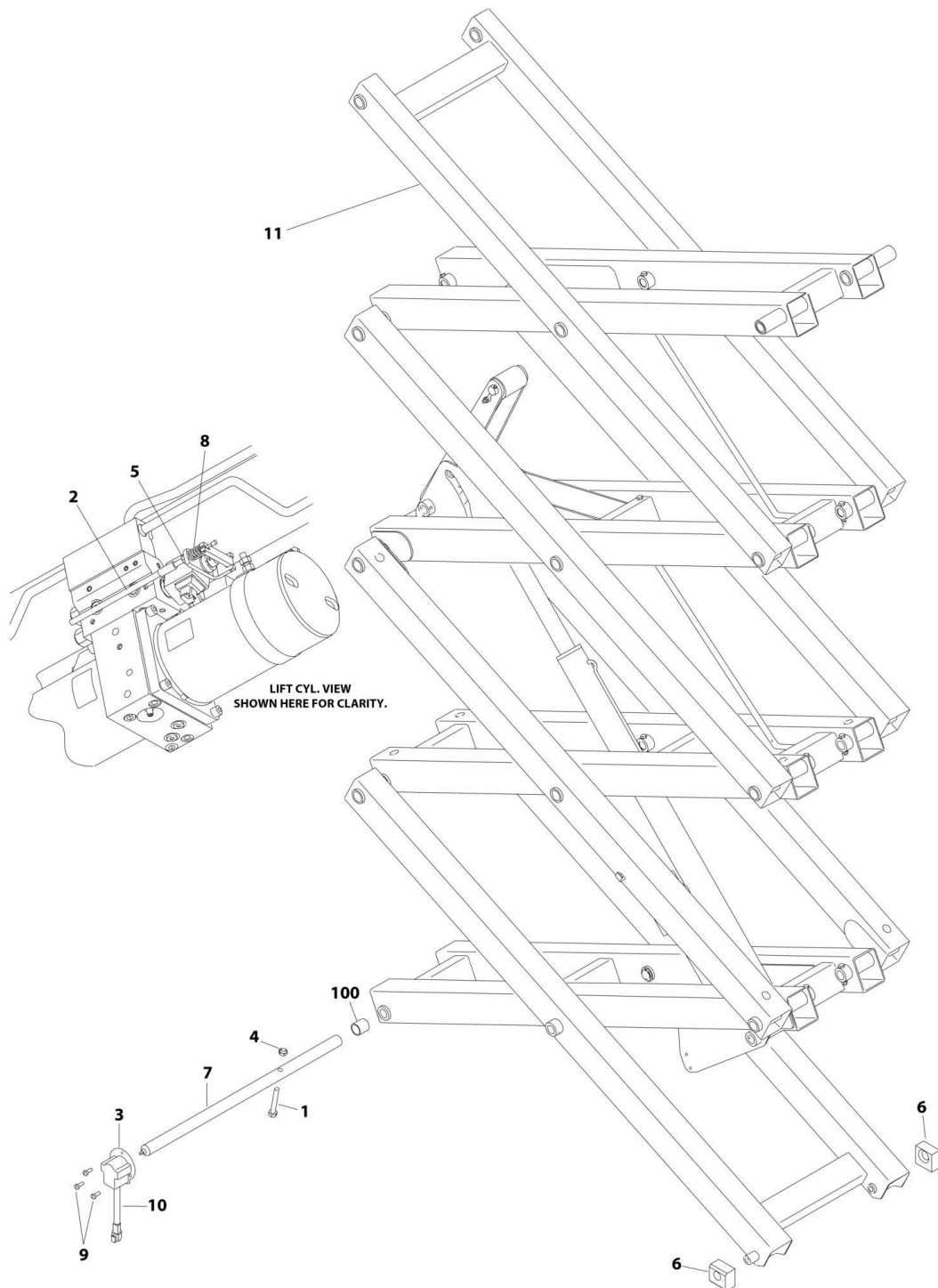
SECTION 3 - SCISSORS ARMS

FIGURE 3-14. SCISSORS ARMS ASSEMBLY - 2632ES STANDARD HYDRAULIC OIL (CHINA BUILT MACHINES) (SN B200000100 through B200020981)

ITEM	PART NUMBER	QTY	DESCRIPTION	REV
	1001131021	Ref	SCISSORS ARMS ASSEMBLY - 2632ES STANDARD HYDRAULIC OIL (CHINA BUILT MACHINES) (SN B200000100 through B200020981)	E
1	0200799	1	Arm - Lower Mid Inboard	
2	0200800	1	Arm - Upper Mid Inboard	
3	0200801	1	Arm - Upper Inboard	
4	0200802	1	Arm - Lower Outboard	
5	0200803	1	Arm - Lower Mid Outboard (Left Side)	
6	0200804	1	Arm - Lower Mid Outboard (Right Side)	
7	0200805	2	Arm - Upper Mid Out board	
8	0200807	1	Arm - Upper Outboard	
9	0200834	1	Arm - Lower Inboard	
10	0440266	4	Bearing	
11	0440267	42	Bearing	
12	0701015	1	Bolt M10 x 35	
13	0701017	1	Bolt M10 x 45	
14	0701022	18	Bolt M10 x 70	
15	0701029	4	Bolt M10 x 120	
16	1180382	1	Carrier, Cable	
17	1180383	1	Carrier, Cable	
18	1001129290	1	Lift Cylinder Assembly - Standard Hydraulic Oil (See CYLINDER SECTION for Breakdown)	
21	3340962	24	Pad, Arm	
22	3760170	2	Ring, Split	
23	3422997	13	Pin	
24	3422998	1	Pin	
25	3423014	3	Pin	
26	3423036	4	Pin	
27	3423038	1	Pin	
28	3423039	1	Pin	
29	3423067	1	Pin	
30	3574161	1	Bar, Prop Attach	
31	3760387	20	Ring, Retaining	
32	3841143	1	Keeper, Pin	
33	3860107	1	Roller	
34	4071094	AR	Shim, Spacer	
35	4740438	20	Washer	
36	4812000	2	Washer M10	
37	4846752	1	Kicker, Arm	
38	3291007	24	Nut M10	

SECTION 3 - SCISSORS ARMS

FIGURE 3-15. SCISSORS ARMS INSTALLATION - 2632ES STANDARD HYDRAULIC OIL (BELGIUM, CHINA AND MEXICO BUILT MACHINES) (SN 1200025021 to Present, SN B200020982 to Present, SN M200022020 through M200039289)



ART_1001190904

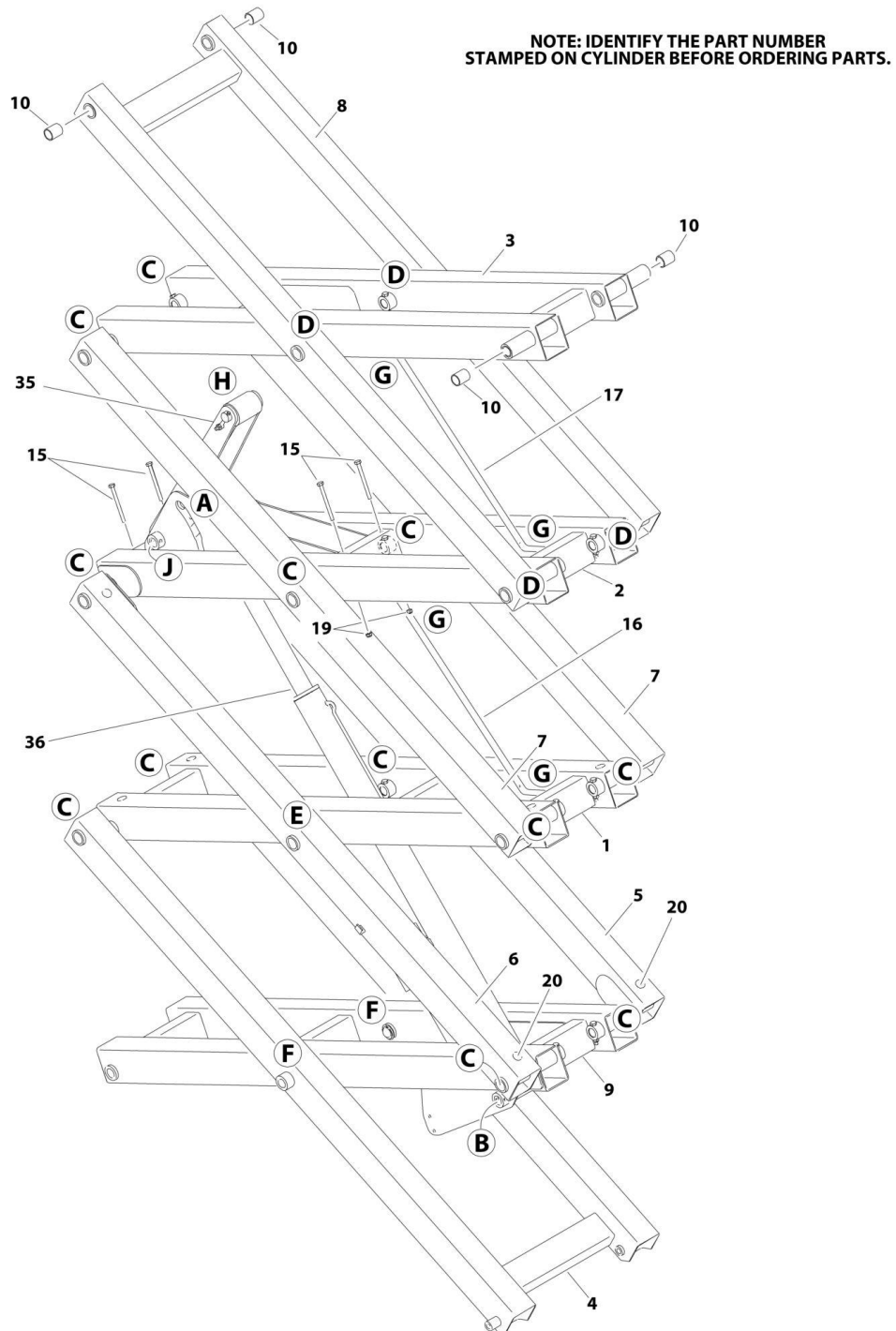
SECTION 3 - SCISSORS ARMS

FIGURE 3-15. SCISSORS ARMS INSTALLATION - 2632ES STANDARD HYDRAULIC OIL (BELGIUM, CHINA AND MEXICO BUILT MACHINES) (SN 1200025021 to Present, SN B200020982 to Present, SN M200022020 through M200039289)

ITEM	PART NUMBER	QTY	DESCRIPTION	REV
	1001190904	Ref	SCISSORS ARMS INSTALLATION - 2632ES STANDARD HYDRAULIC OIL (BELGIUM, CHINA AND MEXICO BUILT MACHINES)	A
1	0701022	1	Bolt M10 x 70	
2	1061034	1	Cable, Manual Descent	
2	7020218	1	T-Handle (With 1/4-20 Threads)	
2	70001878	1	T-Handle (With M5 Threads)	
3	3200454	1	Mount, Switch	
4	3291005	1	Nut M10	
5	3321402	1	Nut 1/4-28	
6	3340957	2	Pad, Slide	
7	3423259	1	Pin, Sensor	
8	4160078	1	Spring, Compression	
9	4191706	3	Screw M6 x 12	
10	1001092354	1	Switch, Rotary Angle Sensor	
10	4460536	1	Receptacle, Female - 3 Position	
10	4460464	3	Pin, Male	
11	1001190902	1	Arms Assembly (See SCISSORS ARMS ASSEMBLY - 2632ES STANDARD HYDRAULIC OIL for Breakdown)	
100	0440265	1	Bushing (Part of Frame Weldment)	

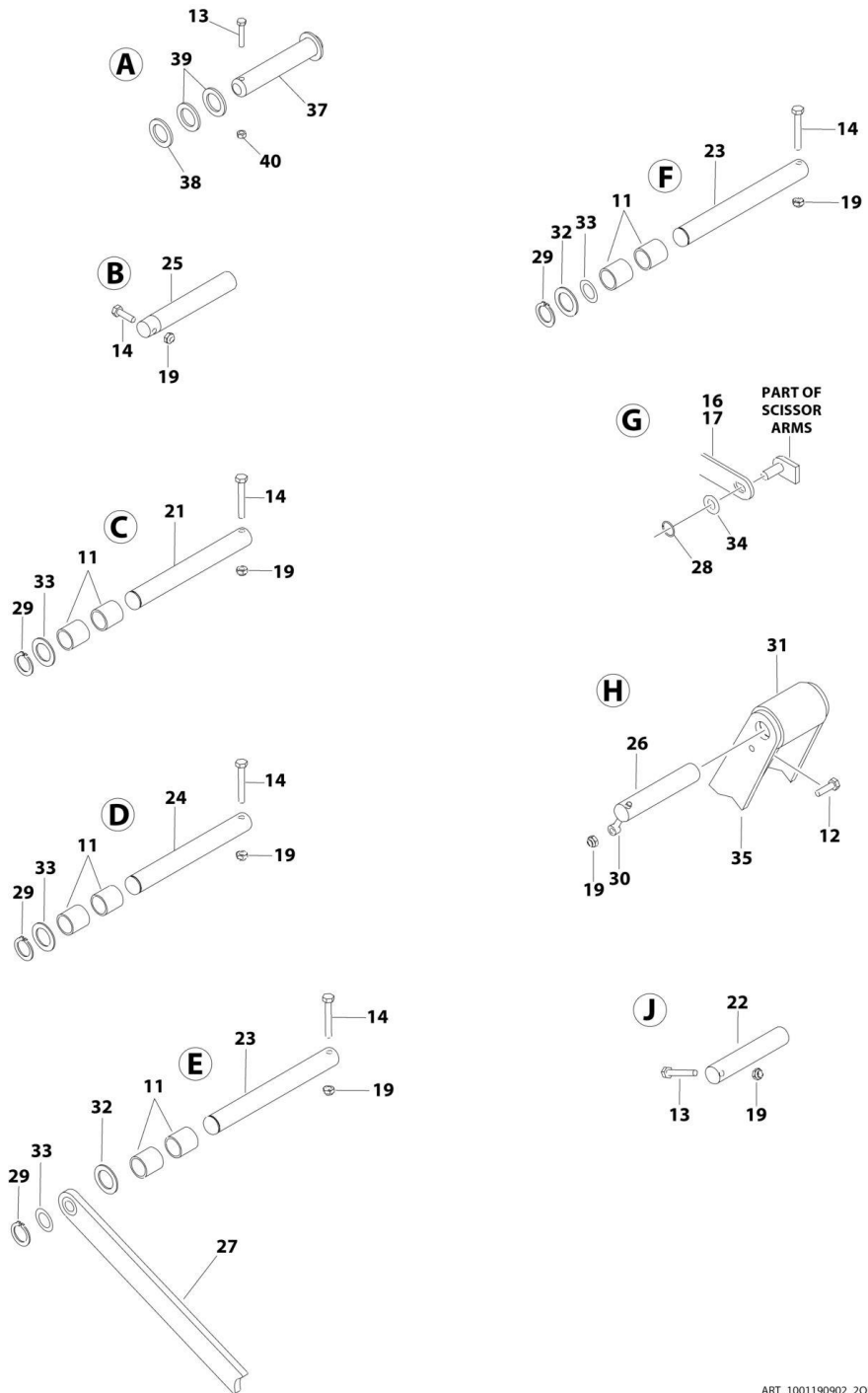
SECTION 3 - SCISSORS ARMS

FIGURE 3-16. SCISSORS ARMS ASSEMBLY - 2632ES STANDARD HYDRAULIC OIL (BELGIUM AND CHINA BUILT MACHINES) (SN 1200025021 to Present, SN B200020982 to Present)



ART_1001190902_10F2

SECTION 3 - SCISSORS ARMS



ART_1001190902_20F2

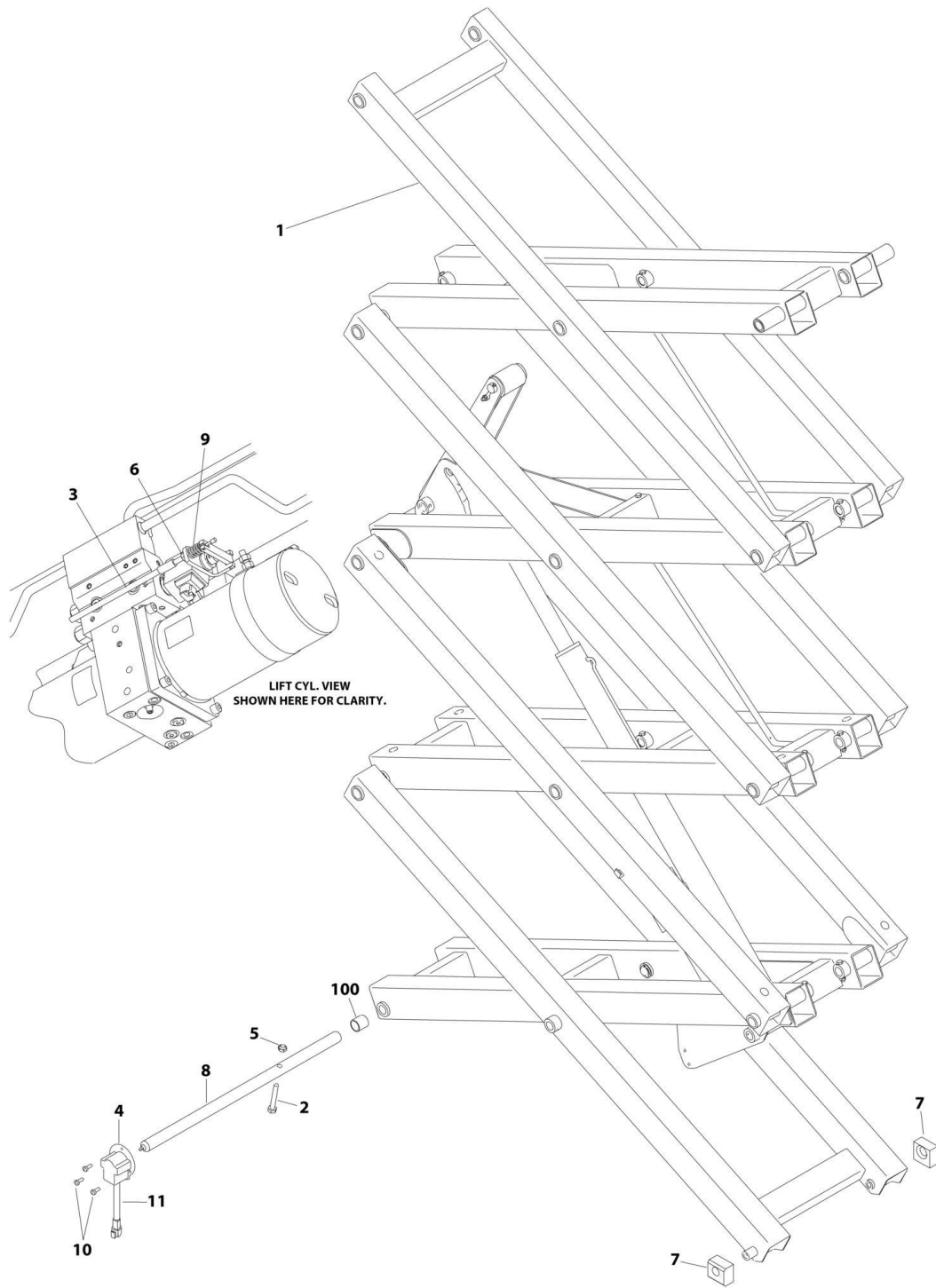
SECTION 3 - SCISSORS ARMS

FIGURE 3-16. SCISSORS ARMS ASSEMBLY - 2632ES STANDARD HYDRAULIC OIL (BELGIUM AND CHINA BUILT MACHINES) (SN 1200025021 to Present, SN B200020982 to Present)

ITEM	PART NUMBER	QTY	DESCRIPTION	REV
	1001190902	Ref	SCISSORS ARMS ASSEMBLY - 2632ES STANDARD HYDRAULIC OIL (BELGIUM AND CHINA BUILT MACHINES) (SN 1200025021 to Present, SN B200020982 to Present)	B
1	0200799	1	Arm - Lower Mid Inboard	
2	0200800	1	Arm - Upper Mid Inboard	
3	0200801	1	Arm - Upper Inboard	
4	0200802	1	Arm - Lower Outboard	
5	0200803	1	Arm - Lower Mid Outboard (Left Side)	
6	0200804	1	Arm - Lower Mid Outboard (Right Side)	
7	0200805	2	Arm - Upper Mid Outboard	
8	0200807	1	Arm - Upper Outboard	
9	0200834	1	Arm - Lower Inboard	
10	0440266	4	Bearing	
11	0440267	42	Bearing	
12	0701015	1	Bolt M10 x 35	
13	0700817	1	Bolt M8 x 45	
14	0701022	18	Bolt M10 x 70	
15	0701029	4	Bolt M10 x 120	
16	1180382	1	Carrier, Cable	
17	1180383	1	Carrier, Cable	
19	3291007	23	Nut M8	
20	3340962	24	Pad, Arm	
21	3422997	13	Pin	
22	3422998	1	Pin	
23	3423014	3	Pin	
24	3423036	4	Pin	
25	3423038	1	Pin	
26	3423067	1	Pin	
27	3574161	1	Bar, Prop Attach	
28	3760170	4	Ring, Split	
29	3760387	20	Ring, Retaining	
30	3841143	1	Keeper, Pin	
31	3860107	1	Roller	
32	4071094	AR	Shim, Spacer	
33	4740438	20	Washer	
34	4812000	2	Washer M10	
35	4846752	1	Kicker, Arm	
36	1001129290	1	Lift Cylinder Assembly - Standard Hydraulic Oil (See CYLINDER SECTION for Breakdown)	
37	1001177911	1	Pin	
38	1001177913	1	Plate	
39	1001177914	2	Washer	
40	3290807	1	Nut M8	

SECTION 3 - SCISSORS ARMS

FIGURE 3-17. SCISSORS ARMS INSTALLATION - 2632ES BIODEGRADABLE HYDRAULIC OIL (USA BUILT MACHINES) (SN 020000001 through 0200241220)



ART_1001157341

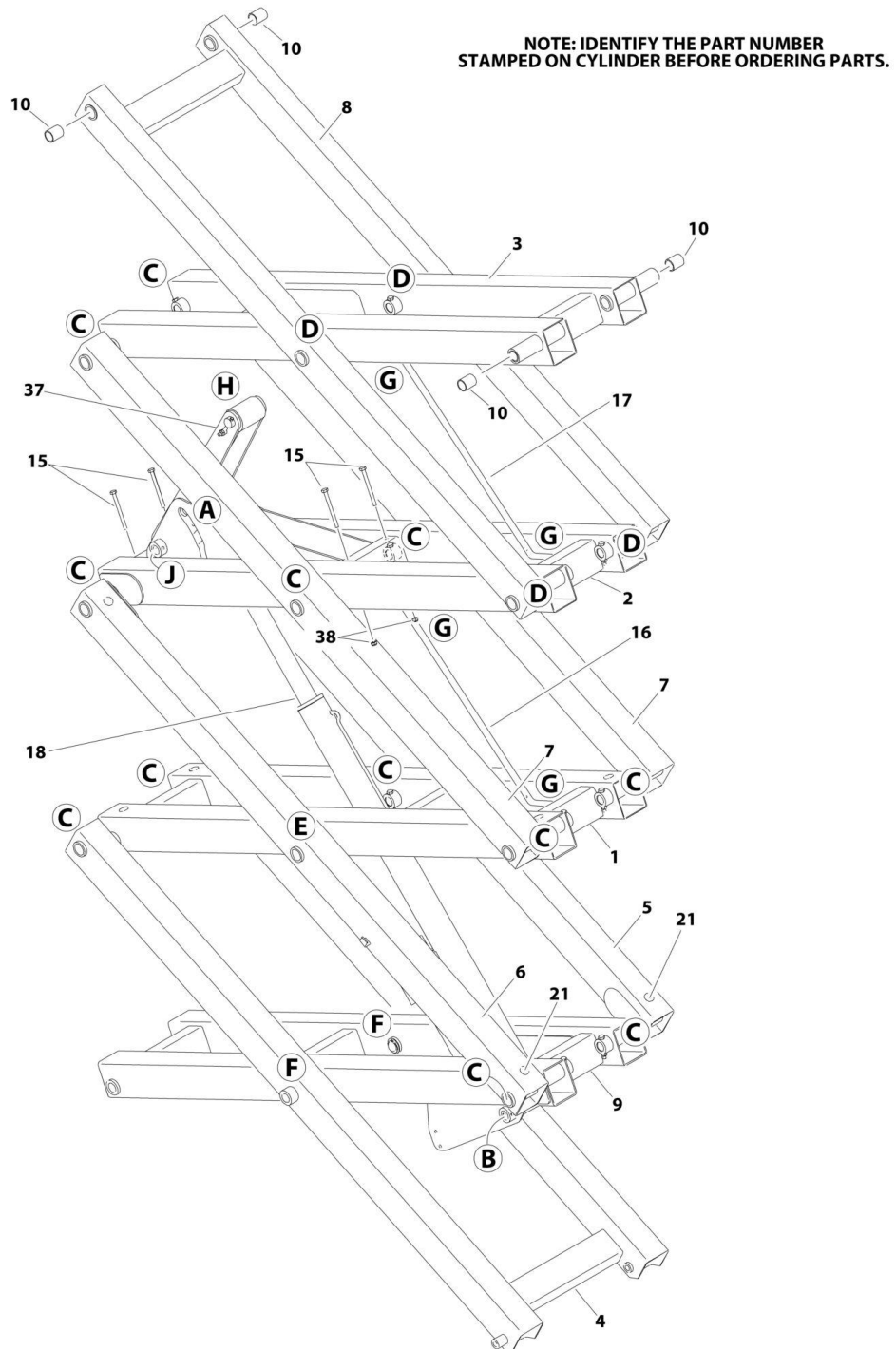
SECTION 3 - SCISSORS ARMS

FIGURE 3-17. SCISSORS ARMS INSTALLATION - 2632ES BIODEGRADABLE HYDRAULIC OIL (USA BUILT MACHINES) (SN 0200000001 through 0200241220)

ITEM	PART NUMBER	QTY	DESCRIPTION	REV
	1001157341	Ref	SCISSORS ARMS INSTALLATION - 2632ES BIODEGRADABLE HYDRAULIC OIL (USA BUILT MACHINES) (SN 0200000001 through 0200241220)	B
1	1001157336	1	Arms Assembly (See SCISSORS ARMS ASSEMBLY - 2632ES BIODEGRADABLE HYDRAULIC OIL (USA BUILT MACHINES) for Breakdown)	
2	0701022	1	Bolt M10 x 70	
3	1061034	1	Cable, Manual Descent	
3	7020218	1	T-Handle (With 1/4-20 Threads)	
3	70001878	1	T-Handle (With M5 Threads)	
4	3200454	1	Mount, Switch	
5	3291005	1	Nut M10	
6	3321402	1	Nut 1/4-28	
7	3340957	2	Pad, Slide	
8	3423259	1	Pin, Sensor	
9	4160078	1	Spring, Compression	
10	4191706	3	Screw M6 x 12	
11	1001092354	1	Switch, Rotary Angle Sensor	
11	4460536	1	Receptacle, Female - 3 Position	
11	4460464	3	Pin, Male	
100	0440265	1	Bushing (Part of Frame Weldment)	

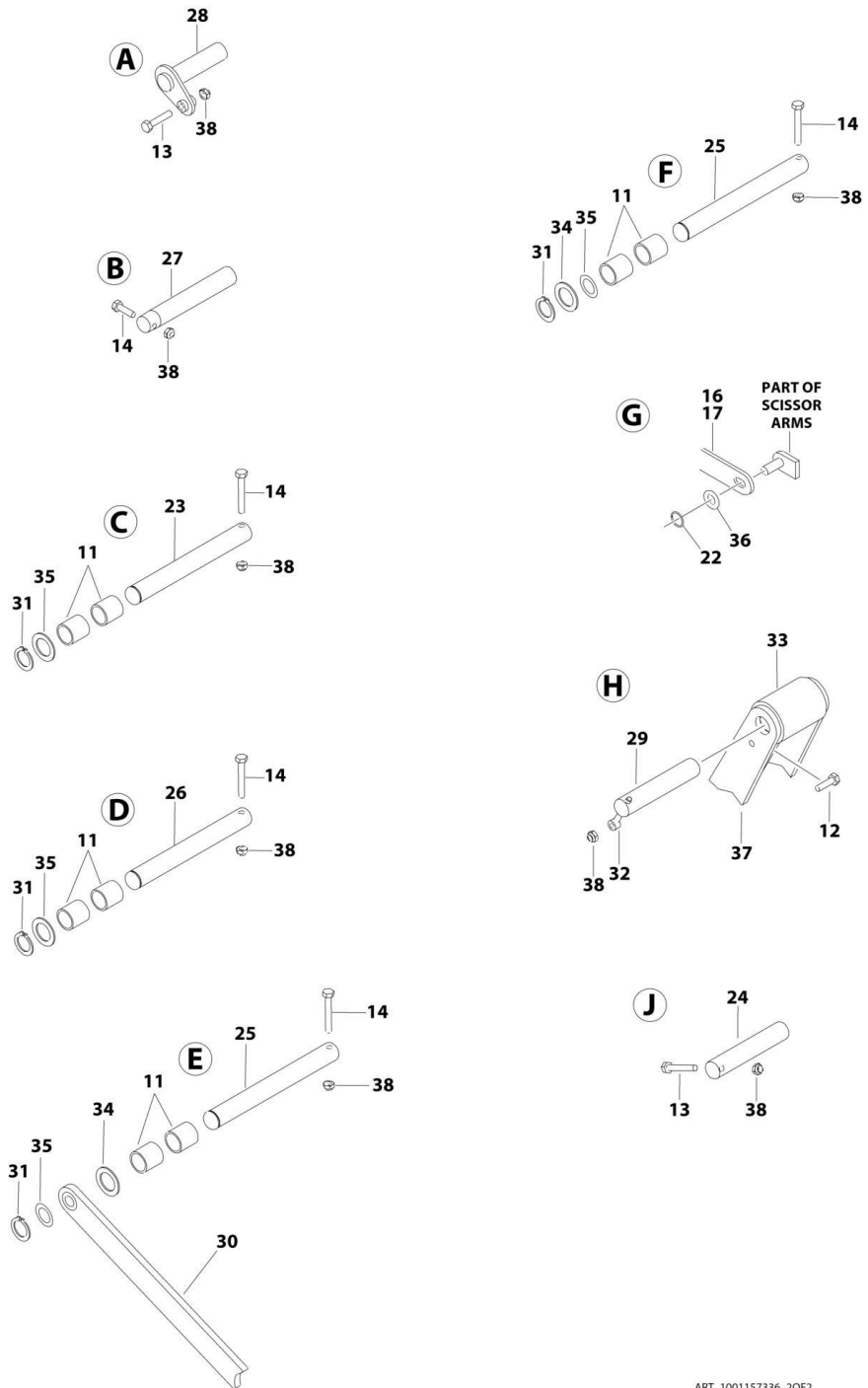
SECTION 3 - SCISSORS ARMS

FIGURE 3-18. SCISSORS ARMS ASSEMBLY - 2632ES BIODEGRADABLE HYDRAULIC OIL (USA BUILT MACHINES) (SN 020000001 through 0200241220)



ART_1001157336_10F2

SECTION 3 - SCISSORS ARMS



ART_1001157336_2OF2

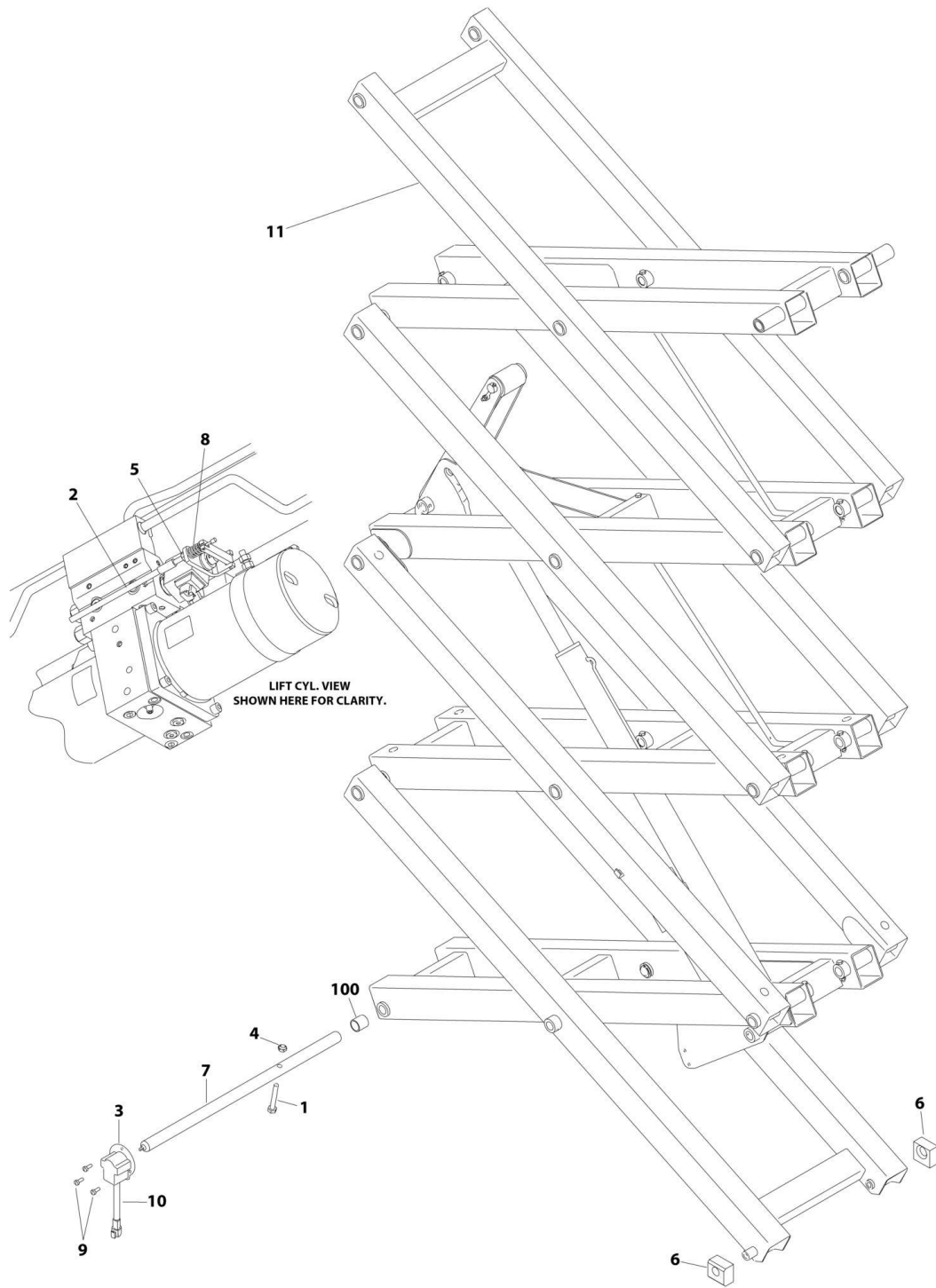
SECTION 3 - SCISSORS ARMS

FIGURE 3-18. SCISSORS ARMS ASSEMBLY - 2632ES BIODEGRADABLE HYDRAULIC OIL (USA BUILT MACHINES) (SN 020000001 through 0200241220)

ITEM	PART NUMBER	QTY	DESCRIPTION	REV
	1001157336	Ref	SCISSORS ARMS ASSEMBLY - 2632ES BIODEGRADABLE HYDRAULIC OIL (USA BUILT MACHINES) (SN 020000001 through 0200241220)	B
1	0200799	1	Arm - Lower Mid Inboard	
2	0200800	1	Arm - Upper Mid Inboard	
3	0200801	1	Arm - Upper Inboard	
4	0200802	1	Arm - Lower Outboard	
5	0200803	1	Arm - Lower Mid Outboard (Left Side)	
6	0200804	1	Arm - Lower Mid Outboard (Right Side)	
7	0200805	2	Arm - Upper Mid Out board	
8	0200807	1	Arm - Upper Outboard	
9	0200834	1	Arm - Lower Inboard	
10	0440266	4	Bearing	
11	0440267	42	Bearing	
12	0701015	1	Bolt M10 x 35	
13	0701017	1	Bolt M10 x 45	
14	0701022	18	Bolt M10 x 70	
15	0701029	4	Bolt M10 x 120	
16	1180382	1	Carrier, Cable	
17	1180383	1	Carrier, Cable	
18	1001157331	1	Lift Cylinder Assembly - Biodegradeable Hydraulic Oil (See CYLINDER SECTION for Breakdown)	
21	3340962	24	Pad, Arm	
22	3760170	2	Ring, Split	
23	3422997	13	Pin	
24	3422998	1	Pin	
25	3423014	3	Pin	
26	3423036	4	Pin	
27	3423038	1	Pin	
28	3423039	1	Pin	
29	3423067	1	Pin	
30	3574161	1	Bar, Prop Attach	
31	3760387	20	Ring, Retaining	
32	3841143	1	Keeper, Pin	
33	3860107	1	Roller	
34	4071094	AR	Shim, Spacer	
35	4740438	20	Washer	
36	4812000	2	Washer M10	
37	4846752	1	Kicker, Arm	
38	3291007	24	Nut M10	

SECTION 3 - SCISSORS ARMS

FIGURE 3-19. SCISSORS ARMS INSTALLATION - 2632ES BIODEGRADABLE HYDRAULIC OIL (USA AND MEXICO BUILT MACHINES) (SN 0200241221 to Present, SN M200000100 through M200039289)



ART_1001190910

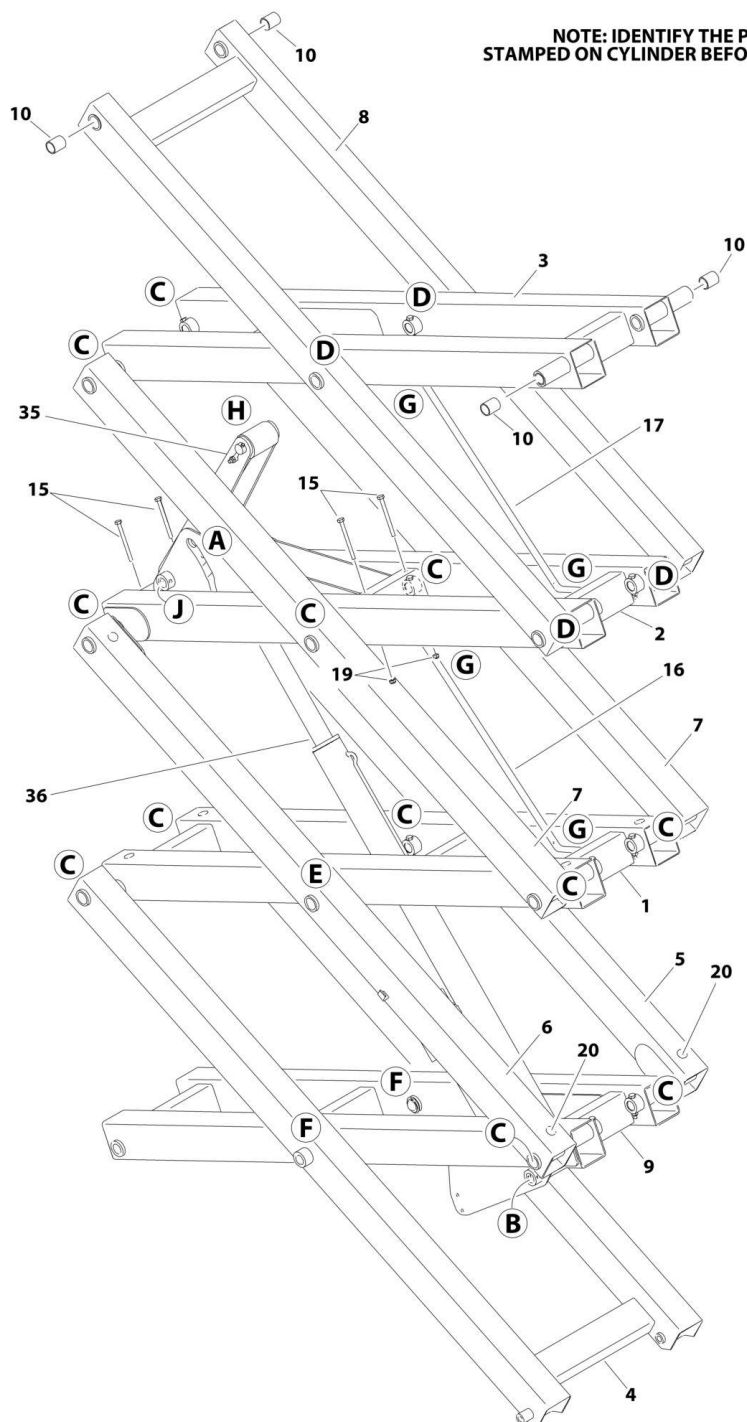
SECTION 3 - SCISSORS ARMS

FIGURE 3-19. SCISSORS ARMS INSTALLATION - 2632ES BIODEGRADEABLE HYDRAULIC OIL (USA AND MEXICO BUILT MACHINES) (SN 0200241221 to Present, SN M200000100 through M200039289)

ITEM	PART NUMBER	QTY	DESCRIPTION	REV
	1001190910	Ref	SCISSORS ARMS INSTALLATION - 2632ES BIODEGRADEABLE HYDRAULIC OIL (USA AND MEXICO BUILT MACHINES)	A
1	0701022	1	Bolt M10 x 70	
2	1061034	1	Cable, Manual Descent	
2	7020218	1	T-Handle (With 1/4-20 Threads)	
2	70001878	1	T-Handle (With M5 Threads)	
3	3200454	1	Mount, Switch	
4	3291005	1	Nut M10	
5	3321402	1	Nut 1/4-28	
6	3340957	2	Pad, Slide	
7	3423259	1	Pin, Sensor	
8	4160078	1	Spring, Compression	
9	4191706	3	Screw M6 x 12	
10	1001092354	1	Switch, Rotary Angle Sensor	
10	4460536	1	Receptacle, Female - 3 Position	
10	4460464	3	Pin, Male	
11	1001190909	1	Arms Assembly (See SCISSORS ARMS ASSEMBLY - 2632ES BIODEGRADEABLE HYDRAULIC OIL (USA AND MEXICO BUILT MACHINES) for Breakdown)	
100	0440265	1	Bushing (Part of Frame Weldment)	

SECTION 3 - SCISSORS ARMS

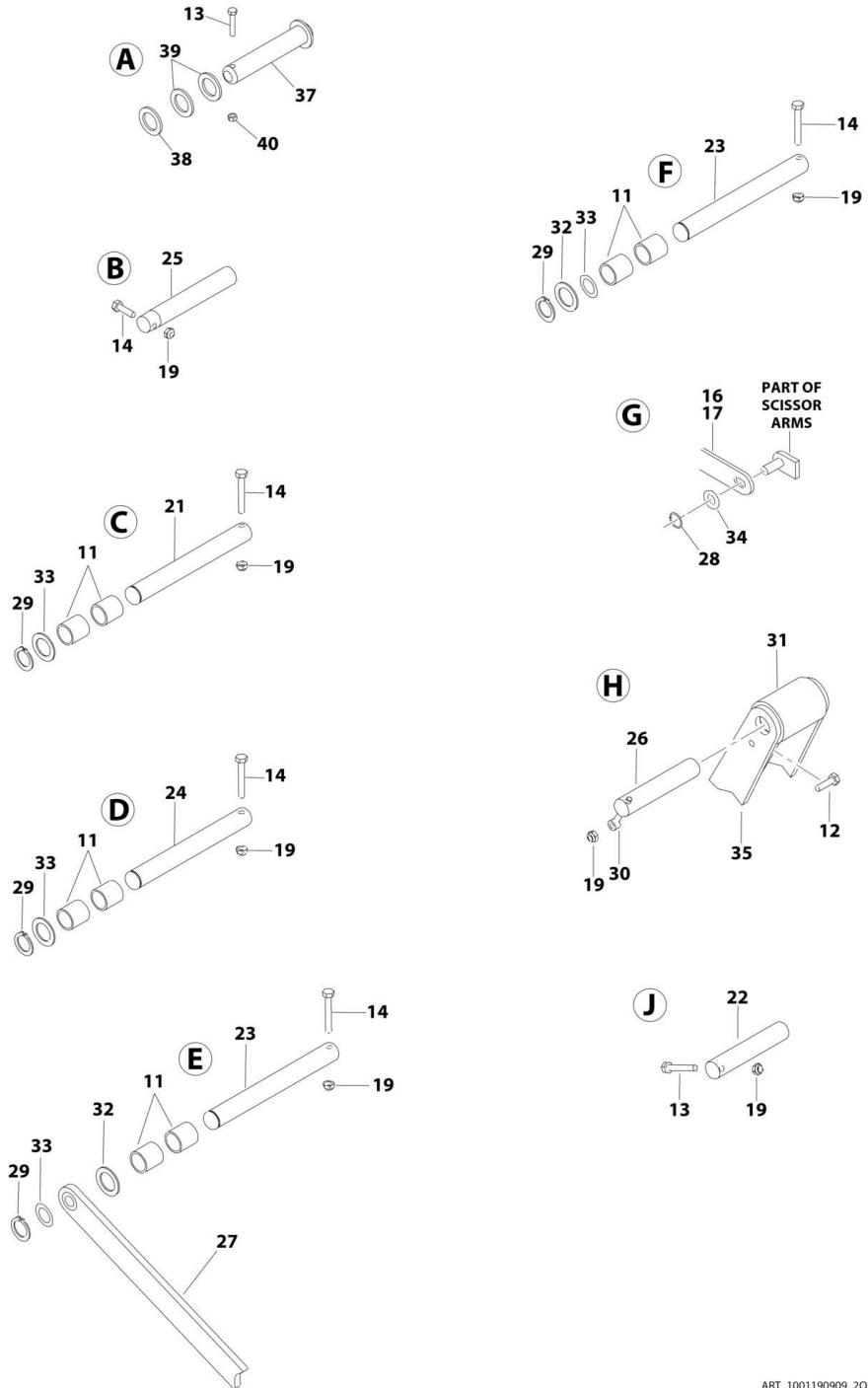
FIGURE 3-20. SCISSORS ARMS ASSEMBLY - 2632ES BIODEGRADABLE HYDRAULIC OIL (USA AND MEXICO BUILT MACHINES) (SN 0200241221 to Present, SN M200000100 through M200039289)



NOTE: IDENTIFY THE PART NUMBER STAMPED ON CYLINDER BEFORE ORDERING PARTS.

ART_1001190909_10F2

SECTION 3 - SCISSORS ARMS



ART_1001190909_20F2

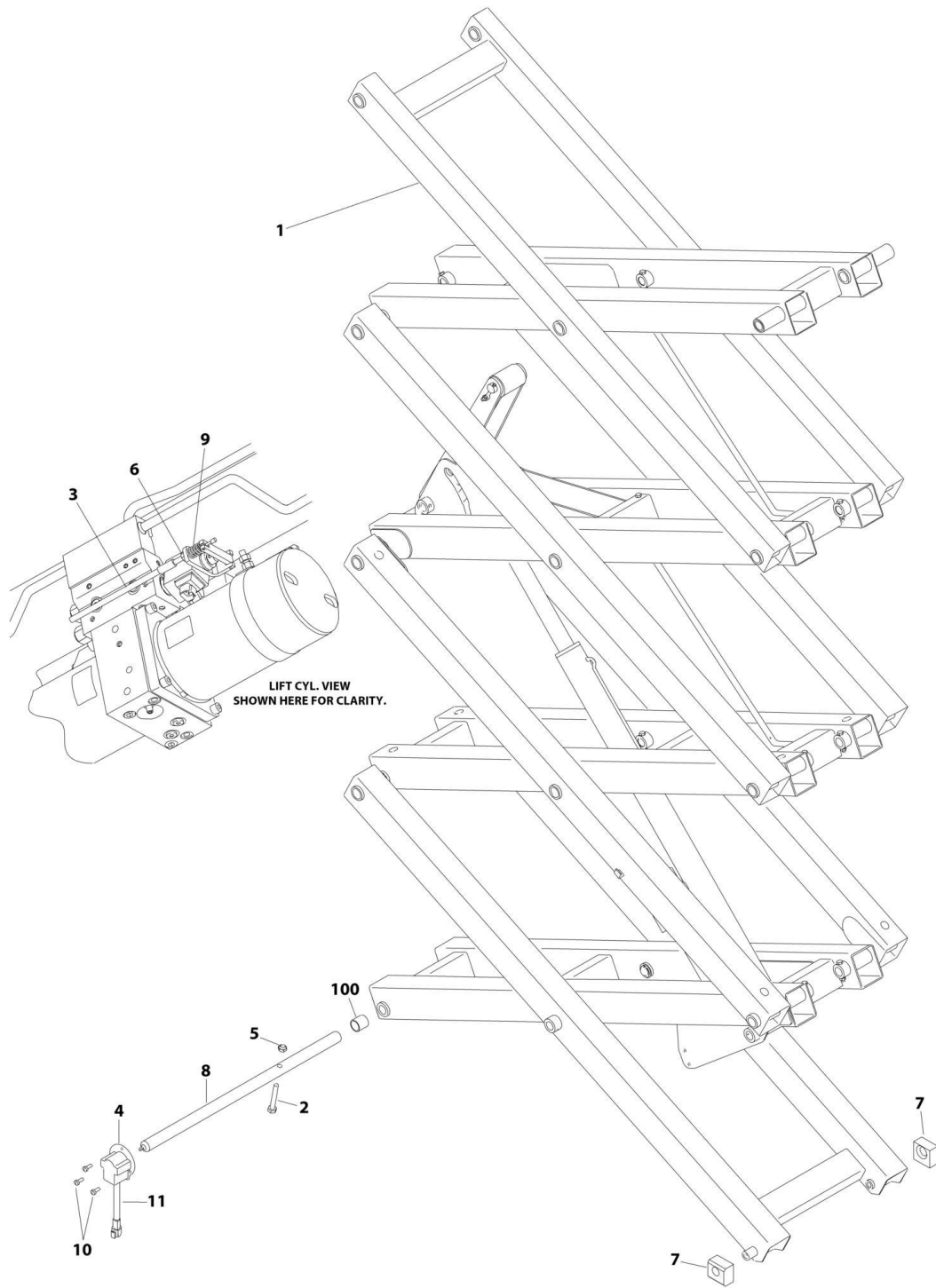
SECTION 3 - SCISSORS ARMS

FIGURE 3-20. SCISSORS ARMS ASSEMBLY - 2632ES BIODEGRADABLE HYDRAULIC OIL (USA AND MEXICO BUILT MACHINES) (SN 0200241221 to Present, SN M200000100 through M200039289)

ITEM	PART NUMBER	QTY	DESCRIPTION	REV
	1001190909	Ref	SCISSORS ARMS ASSEMBLY - 2632ES BIODEGRADABLE HYDRAULIC OIL (USA AND MEXICO BUILT MACHINES)	B
1	0200799	1	Arm - Lower Mid Inboard	
2	0200800	1	Arm - Upper Mid Inboard	
3	0200801	1	Arm - Upper Inboard	
4	0200802	1	Arm - Lower Outboard	
5	0200803	1	Arm - Lower Mid Outboard (Left Side)	
6	0200804	1	Arm - Lower Mid Outboard (Right Side)	
7	0200805	2	Arm - Upper Mid Out board	
8	0200807	1	Arm - Upper Outboard	
9	0200834	1	Arm - Lower Inboard	
10	0440266	4	Bearing	
11	0440267	42	Bearing	
12	0701015	1	Bolt M10 x 35	
13	0700817	1	Bolt M8 x 45	
14	0701022	18	Bolt M10 x 70	
15	0701029	4	Bolt M10 x 120	
16	1180382	1	Carrier, Cable	
17	1180383	1	Carrier, Cable	
19	3291007	23	Nut M10	
20	3340962	24	Pad, Arm	
21	3422997	13	Pin	
22	3422998	1	Pin	
23	3423014	3	Pin	
24	3423036	4	Pin	
25	3423038	1	Pin	
26	3423067	1	Pin	
27	3574161	1	Bar, Prop Attach	
28	3760170	4	Ring, Split	
29	3760387	20	Ring, Retaining	
30	3841143	1	Keeper, Pin	
31	3860107	1	Roller	
32	4071094	AR	Shim, Spacer	
33	4740438	20	Washer	
34	4812000	4	Washer M10	
35	4846752	1	Kicker, Arm	
36	1001157331	1	Lift Cylinder Assembly - Biodegradeable Hydraulic Oil (See CYLINDER SECTION for Breakdown)	
37	1001177911	1	Pin	
38	1001177913	1	Plate	
39	1001177914	2	Washer	
40	3290807	1	Nut M8	

SECTION 3 - SCISSORS ARMS

FIGURE 3-21. SCISSORS ARMS INSTALLATION - 2632ES BIODEGRADABLE HYDRAULIC OIL (CHINA BUILT MACHINES) (SN B200000100 through B200020891)



ART_1001131011

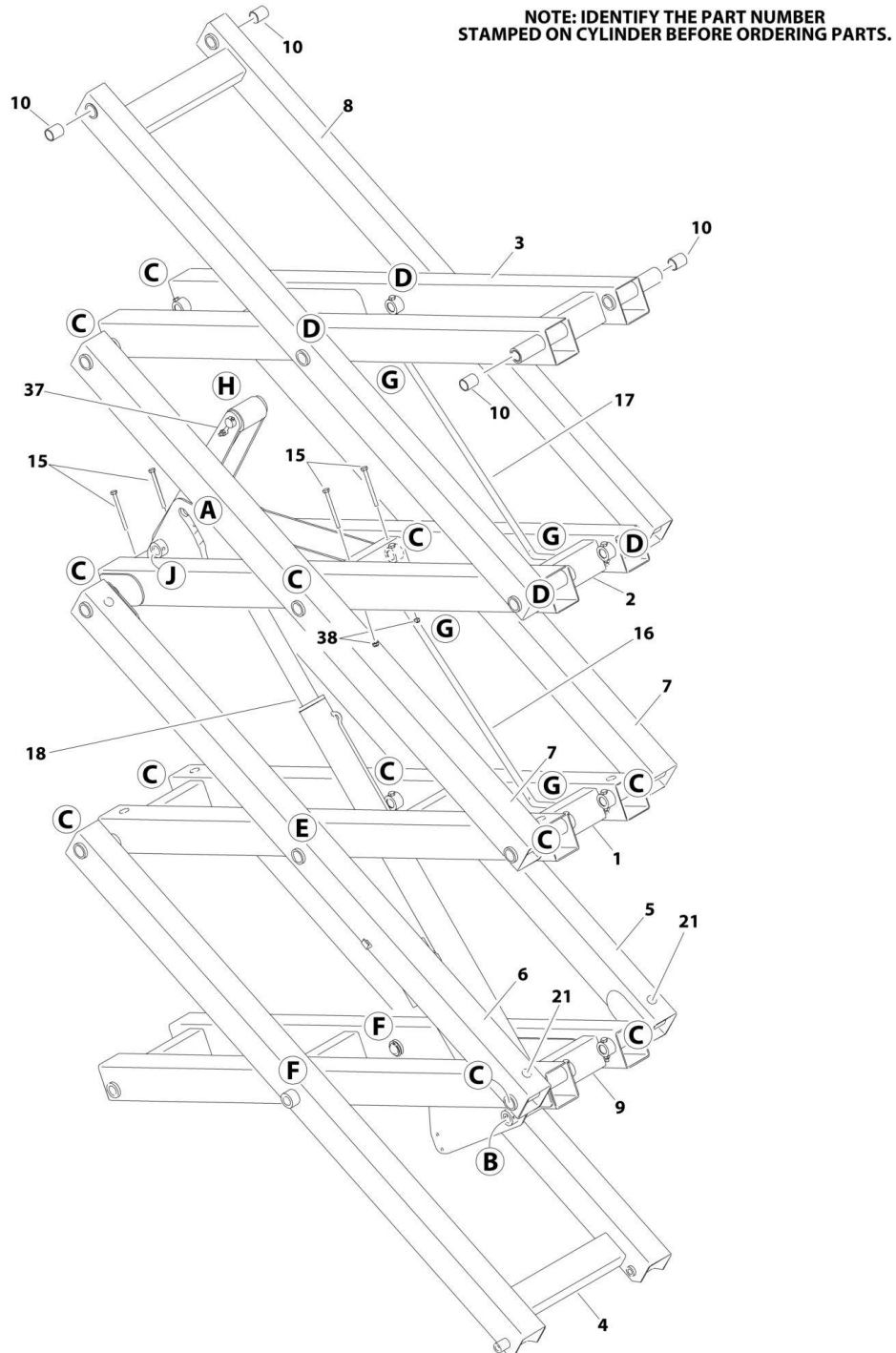
SECTION 3 - SCISSORS ARMS

**FIGURE 3-21. SCISSORS ARMS INSTALLATION - 2632ES BIODEGRADABLE HYDRAULIC OIL
(CHINA BUILT MACHINES) (SN B200000100 through B200020891)**

ITEM	PART NUMBER	QTY	DESCRIPTION	REV
	1001131011	Ref	SCISSORS ARMS INSTALLATION - 2632ES BIODEGRADABLE HYDRAULIC OIL (CHINA BUILT MACHINES) (SN B200000100 through B200020891)	D
1	1001131029	1	Arms Assembly (See SCISSORS ARMS ASSEMBLY - 2632ES BIODEGRADABLE HYDRAULIC OIL for Breakdown)	
2	0701022	1	Bolt M10 x 70	
3	1061034	1	Cable, Manual Descent	
3	7020218	1	T-Handle (With 1/4-20 Threads)	
3	70001878	1	T-Handle (With M5 Threads)	
4	3200454	1	Mount, Switch	
5	3291005	1	Nut M10	
6	3321402	1	Nut 1/4-28	
7	3340957	2	Pad, Slide	
8	3423259	1	Pin, Sensor	
9	4160078	1	Spring, Compression	
10	4191706	3	Screw M6 x 12	
11	1001092354	1	Switch, Rotary Angle Sensor	
11	4460536	1	Receptacle, Female - 3 Position	
11	4460464	3	Pin, Male	
100	0440265	1	Bushing (Part of Frame Weldment)	

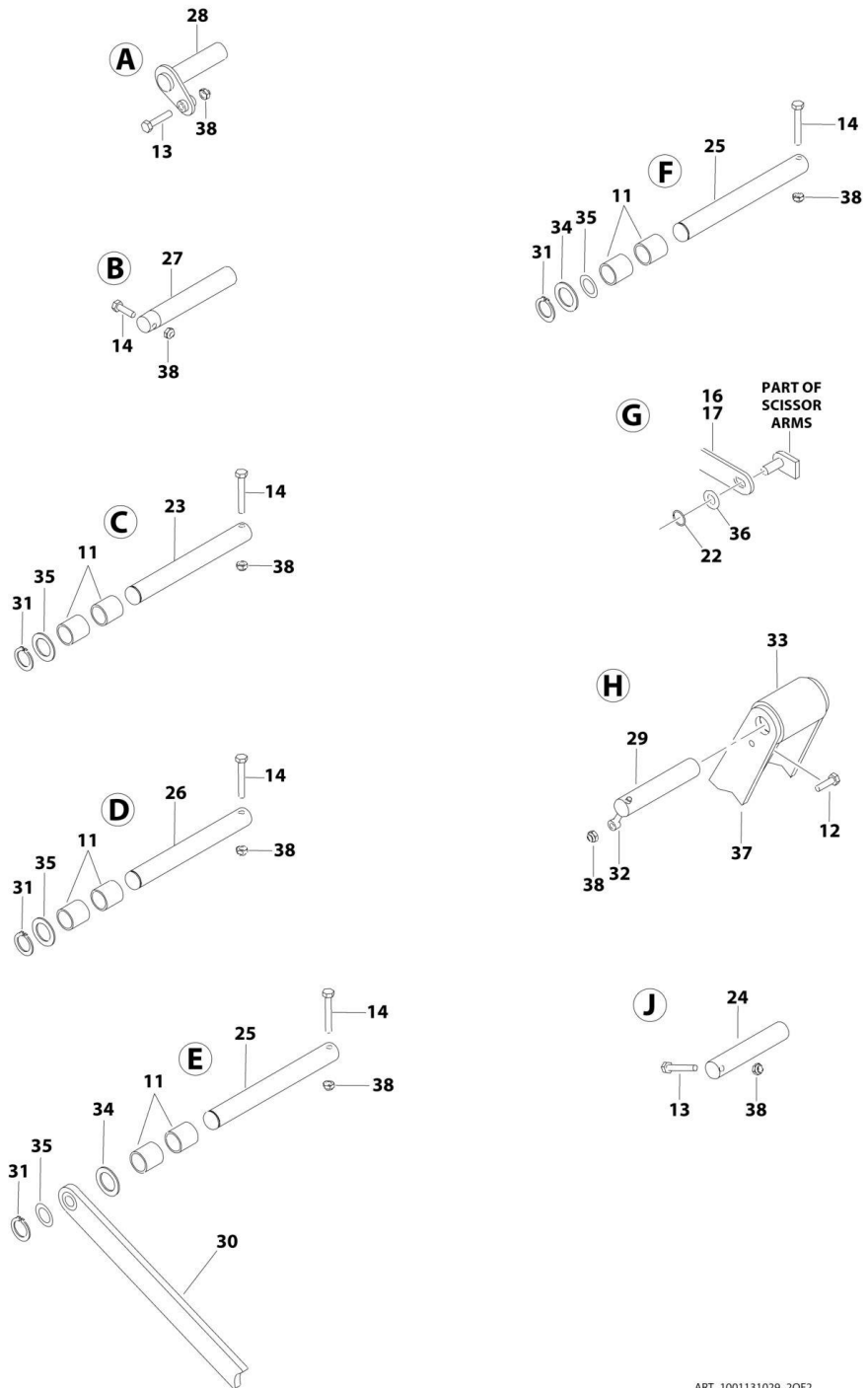
SECTION 3 - SCISSORS ARMS

FIGURE 3-22. SCISSORS ARMS ASSEMBLY - 2632ES BIODEGRADABLE HYDRAULIC OIL (CHINA BUILT MACHINES) (SN B200000100 through B200020891)



ART_1001131029_10F2

SECTION 3 - SCISSORS ARMS



ART_1001131029_20F2

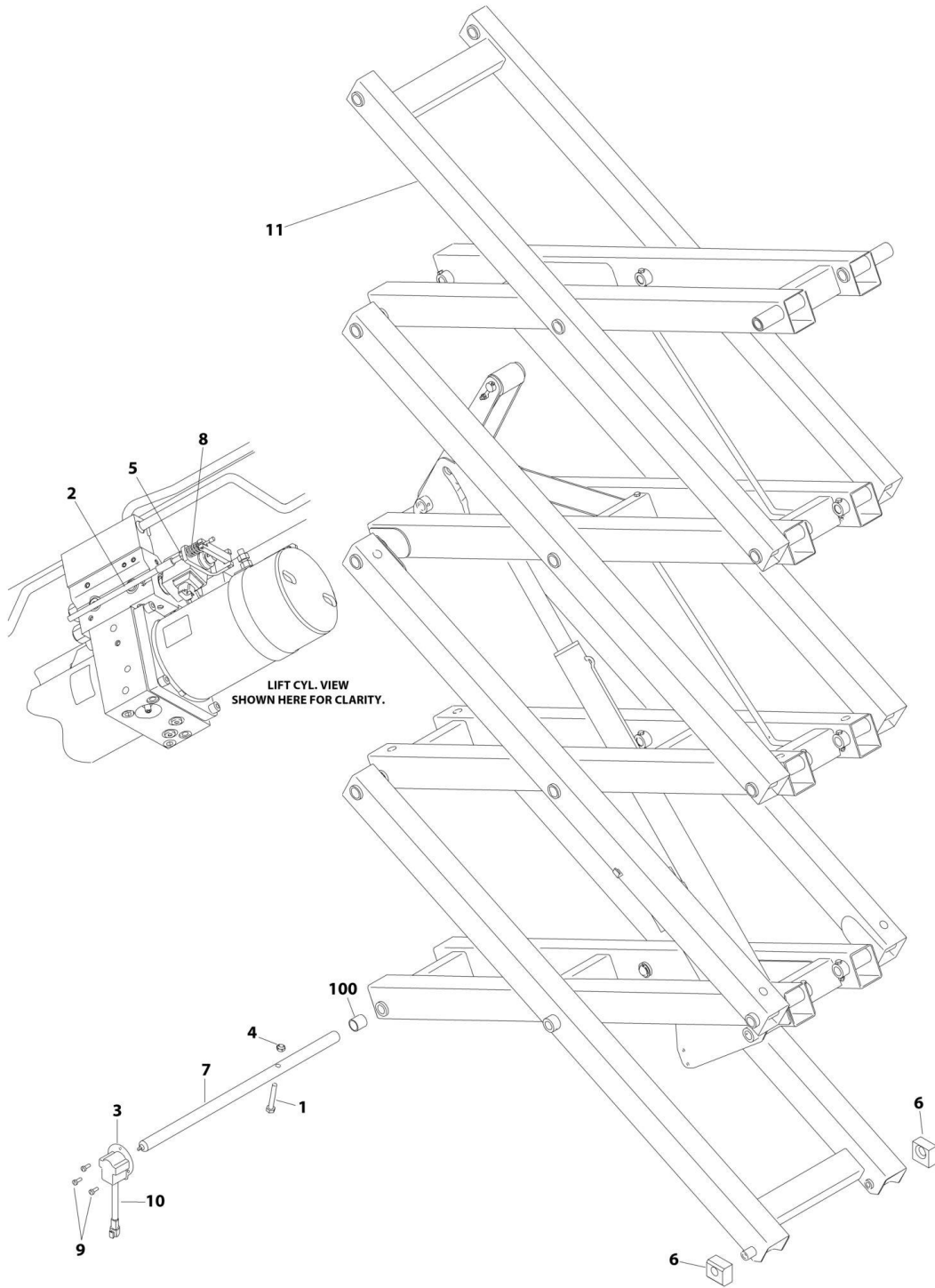
SECTION 3 - SCISSORS ARMS

FIGURE 3-22. SCISSORS ARMS ASSEMBLY - 2632ES BIODEGRADABLE HYDRAULIC OIL (CHINA BUILT MACHINES) (SN B200000100 through B200020891)

ITEM	PART NUMBER	QTY	DESCRIPTION	REV
	1001131029	Ref	SCISSORS ARMS ASSEMBLY - 2632ES BIODEGRADABLE HYDRAULIC OIL (CHINA BUILT MACHINES) (SN B200000100 through B200020891)	D
1	0200799	1	Arm - Lower Mid Inboard	
2	0200800	1	Arm - Upper Mid Inboard	
3	0200801	1	Arm - Upper Inboard	
4	0200802	1	Arm - Lower Outboard	
5	0200803	1	Arm - Lower Mid Outboard (Left Side)	
6	0200804	1	Arm - Lower Mid Outboard (Right Side)	
7	0200805	2	Arm - Upper Mid Out board	
8	0200807	1	Arm - Upper Outboard	
9	0200834	1	Arm - Lower Inboard	
10	0440266	4	Bearing	
11	0440267	42	Bearing	
12	0701015	1	Bolt M10 x 35	
13	0701017	1	Bolt M10 x 45	
14	0701022	18	Bolt M10 x 70	
15	0701029	4	Bolt M10 x 120	
16	1180382	1	Carrier, Cable	
17	1180383	1	Carrier, Cable	
18	1001131035	1	Lift Cylinder Assembly - Biodegradeable Hydraulic Oil (See CYLINDER SECTION for Breakdown)	
21	3340962	24	Pad, Arm	
22	3760170	2	Ring, Split	
23	3422997	13	Pin	
24	3422998	1	Pin	
25	3423014	3	Pin	
26	3423036	4	Pin	
27	3423038	1	Pin	
28	3423039	1	Pin	
29	3423067	1	Pin	
30	3574161	1	Bar, Prop Attach	
31	3760387	20	Ring, Retaining	
32	3841143	1	Keeper, Pin	
33	3860107	1	Roller	
34	4071094	AR	Shim, Spacer	
35	4740438	20	Washer	
36	4812000	2	Washer M10	
37	4846752	1	Kicker, Arm	
38	3291007	24	Nut M10	

SECTION 3 - SCISSORS ARMS

FIGURE 3-23. SCISSORS ARMS INSTALLATION - 2632ES BIODEGRADABLE HYDRAULIC OIL (CHINA BUILT MACHINES) (SN B200020982 to Present)



ART_1001190906

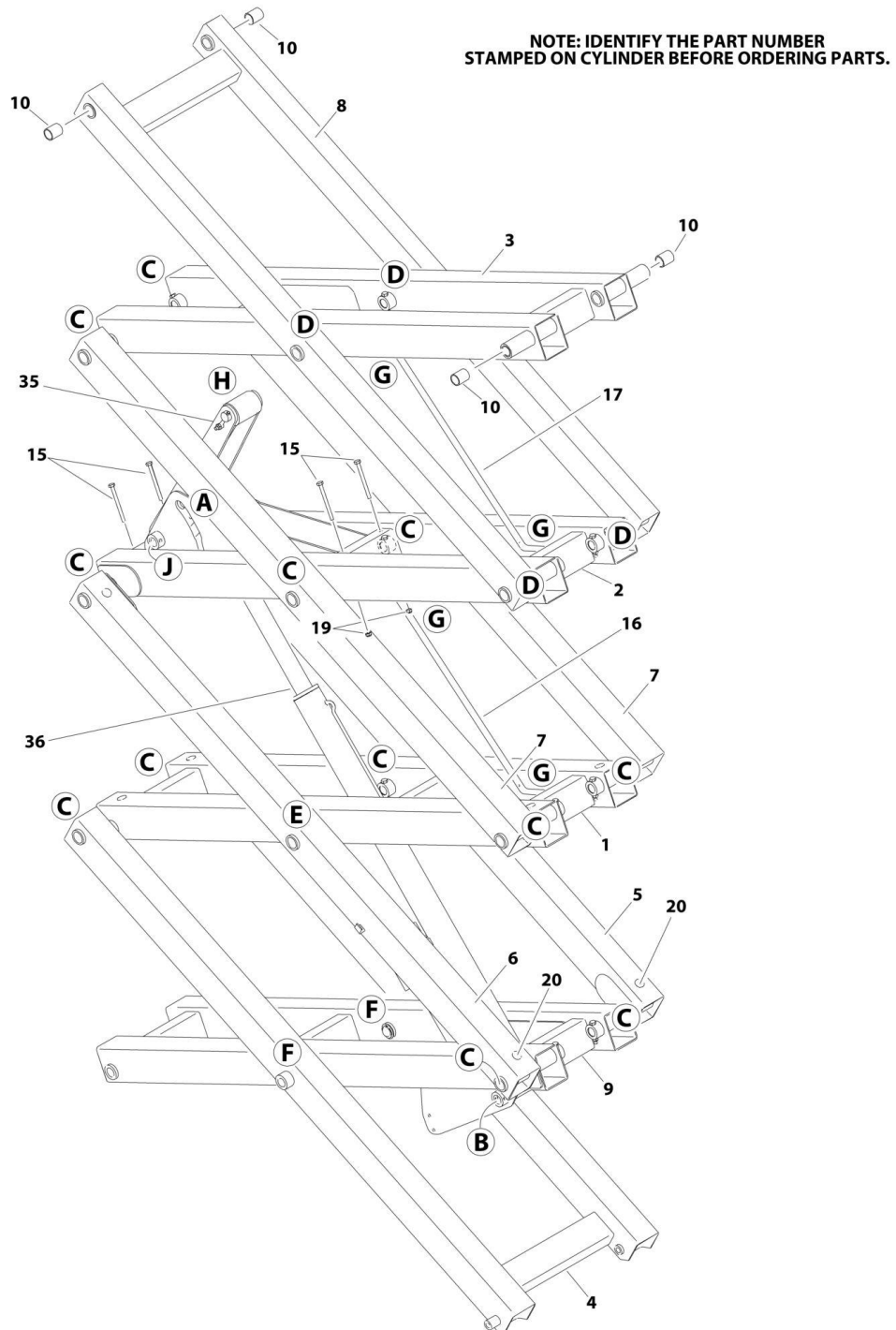
SECTION 3 - SCISSORS ARMS

**FIGURE 3-23. SCISSORS ARMS INSTALLATION - 2632ES BIODEGRADABLE HYDRAULIC OIL
(CHINA BUILT MACHINES) (SN B200020982 to Present)**

ITEM	PART NUMBER	QTY	DESCRIPTION	REV
	1001190906	Ref	SCISSORS ARMS INSTALLATION - 2632ES BIODEGRADABLE HYDRAULIC OIL (CHINA BUILT MACHINES) (SN B200020982 to Present)	A
1	0701022	1	Bolt M10 x 70	
2	1061034	1	Cable, Manual Descent	
2	7020218	1	T-Handle (With 1/4-20 Threads)	
2	70001878	1	T-Handle (With M5 Threads)	
3	3200454	1	Mount, Switch	
4	3291005	1	Nut M10	
5	3321402	1	Nut 1/4-28	
6	3340957	2	Pad, Slide	
7	3423259	1	Pin, Sensor	
8	4160078	1	Spring, Compression	
9	4191706	3	Screw M6 x 12	
10	1001092354	1	Switch, Rotary Angle Sensor	
10	4460536	1	Receptacle, Female - 3 Position	
10	4460464	3	Pin, Male	
11	1001190905	1	Arms Assembly (See SCISSORS ARMS ASSEMBLY - 2632ES BIODEGRADABLE HYDRAULIC OIL for Breakdown)	
100	0440265	1	Bushing (Part of Frame Weldment)	

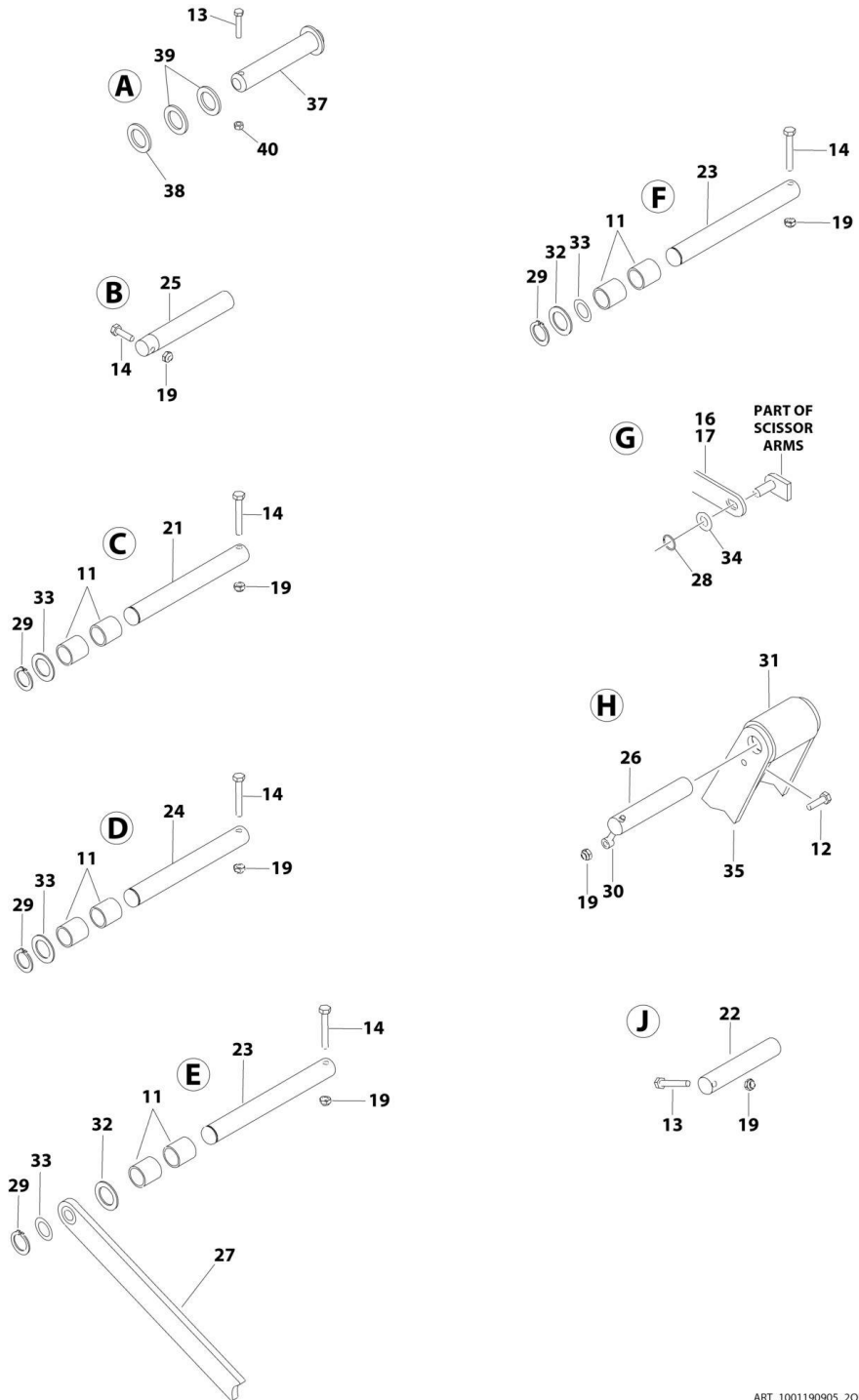
SECTION 3 - SCISSORS ARMS

FIGURE 3-24. SCISSORS ARMS ASSEMBLY - 2632ES BIODEGRADABLE HYDRAULIC OIL (CHINA BUILT MACHINES) (SN B200020982 to Present)



ART_1001190905_10F2

SECTION 3 - SCISSORS ARMS



ART_1001190905_20F2

SECTION 3 - SCISSORS ARMS

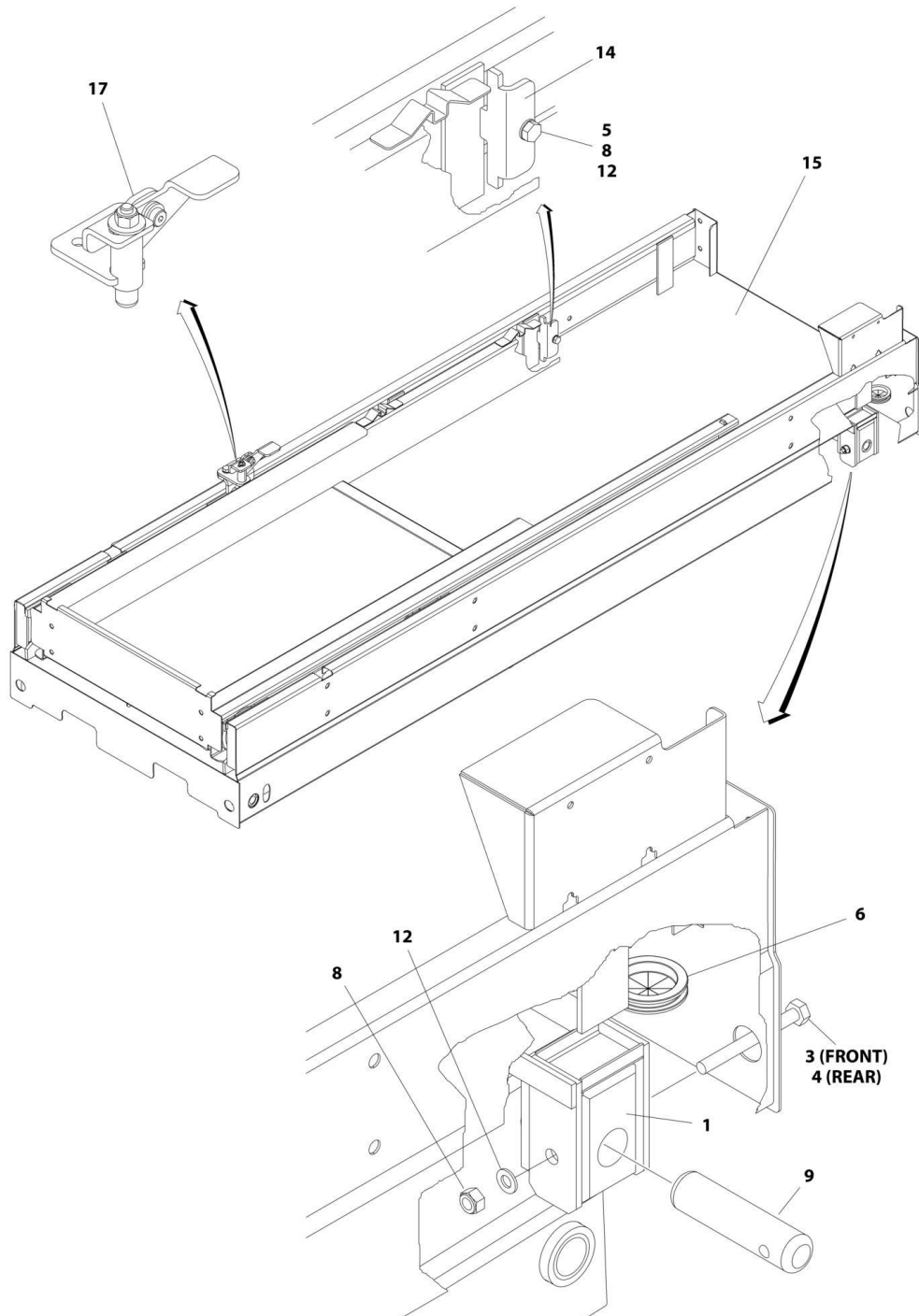
FIGURE 3-24. SCISSORS ARMS ASSEMBLY - 2632ES BIODEGRADEABLE HYDRAULIC OIL (CHINA BUILT MACHINES) (SN B200020982 to Present)

ITEM	PART NUMBER	QTY	DESCRIPTION	REV
	1001190905	Ref	SCISSORS ARMS ASSEMBLY - 2632ES BIODEGRADEABLE HYDRAULIC OIL (CHINA BUILT MACHINES) (SN B200020982 to Present)	B
1	0200799	1	Arm - Lower Mid Inboard	
2	0200800	1	Arm - Upper Mid Inboard	
3	0200801	1	Arm - Upper Inboard	
4	0200802	1	Arm - Lower Outboard	
5	0200803	1	Arm - Lower Mid Outboard (Left Side)	
6	0200804	1	Arm - Lower Mid Outboard (Right Side)	
7	0200805	2	Arm - Upper Mid Out board	
8	0200807	1	Arm - Upper Outboard	
9	0200834	1	Arm - Lower Inboard	
10	0440266	4	Bearing	
11	0440267	42	Bearing	
12	0701015	1	Bolt M10 x 35	
13	0700817	1	Bolt M8 x 45	
14	0701022	18	Bolt M10 x 70	
15	0701029	4	Bolt M10 x 120	
16	1180382	1	Carrier, Cable	
17	1180383	1	Carrier, Cable	
19	3291007	23	Nut M8	
20	3340962	24	Pad, Arm	
21	3422997	13	Pin	
22	3422998	1	Pin	
23	3423014	3	Pin	
24	3423036	4	Pin	
25	3423038	1	Pin	
26	3423067	1	Pin	
27	3574161	1	Bar, Prop Attach	
28	3760170	4	Ring, Split	
29	3760387	20	Ring, Retaining	
30	3841143	1	Keeper, Pin	
31	3860107	1	Roller	
32	4071094	AR	Shim, Spacer	
33	4740438	20	Washer	
34	4812000	2	Washer M10	
35	4846752	1	Kicker, Arm	
36	1001131035	1	Lift Cylinder Assembly - Biodegradeable Hydraulic Oil (See CYLINDER SECTION for Breakdown)	
37	1001177911	1	Pin	
38	1001177913	1	Plate	
39	1001177914	2	Washer	
40	3290807	1	Nut M8	

SECTION 4 - PLATFORM

SECTION 4 - PLATFORM

FIGURE 4-1. PLATFORM INSTALLATION - WITH INSIDE EXTENSION RAILS AND WITHOUT LSS



ART_1001177177

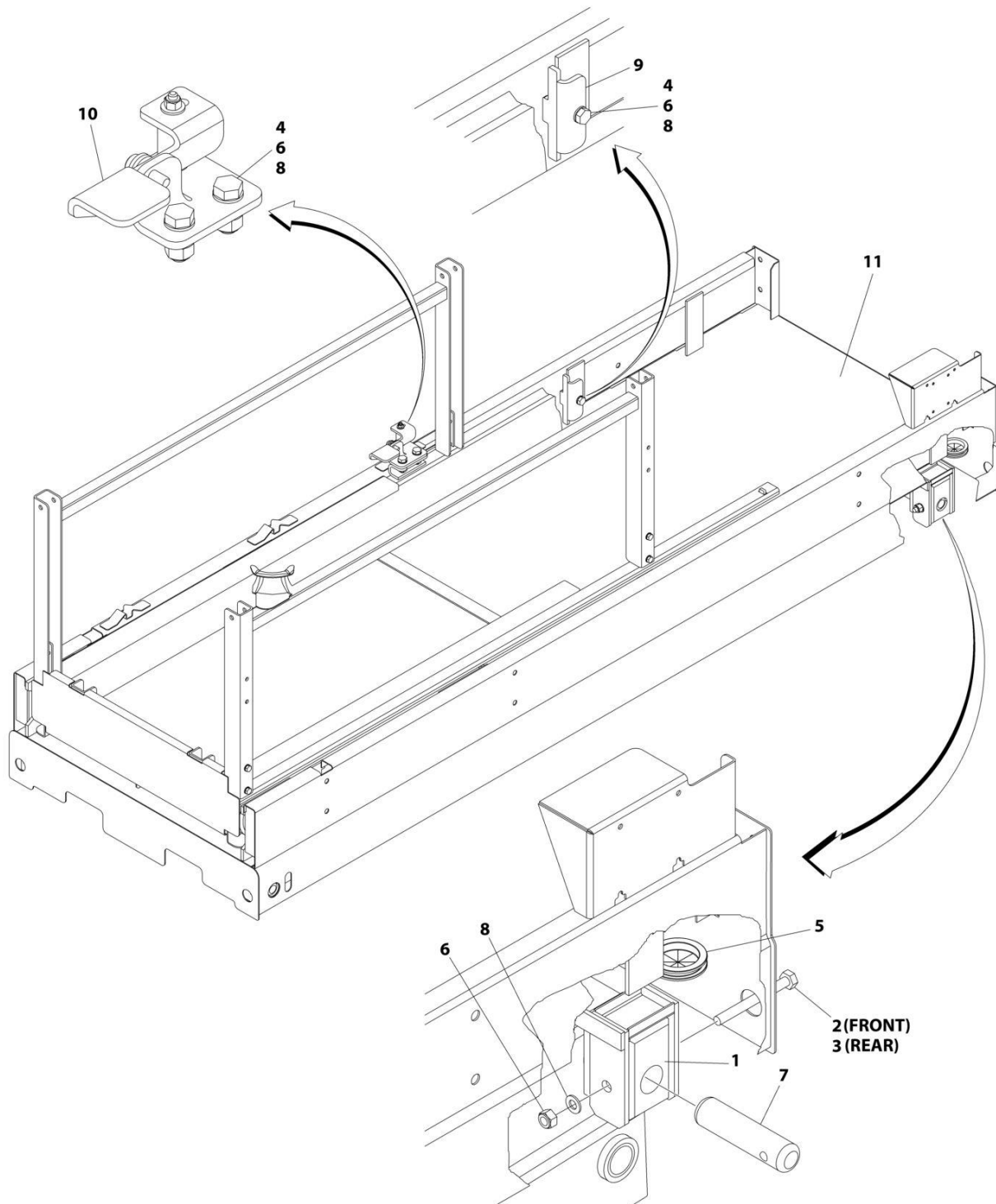
SECTION 4 - PLATFORM

FIGURE 4-1. PLATFORM INSTALLATION - WITH INSIDE EXTENSION RAILS AND WITHOUT LSS

ITEM	PART NUMBER	QTY	DESCRIPTION	REV
	1001177177	Ref	PLATFORM INSTALLATION - WITH INSIDE EXTENSION RAILS AND WITHOUT LSS	F
1	0561520	4	Block, Slide	
3	0701024	2	Bolt M10 x 80	
4	0701027	2	Bolt M10 x 100	
5	0761014	4	Bolt M10 x 30	
6	2540045	1	Grommet	
8	3291005	8	Nut M10	
9	3423049	4	Pin, Latch	
12	4812000	10	Washer M10	
14	1001175188	2	Bracket, Stop	
15	1001175462	1	Platform and Extension Assembly - With Inside Extension Rails (See PLATFORM AND EXTENSION ASSEMBLY - WITH INSIDE EXTENSION RAILS for Breakdown)	
17	1001182302	1	Latch Assembly - With Inside Extension Rails (See LATCH ASSEMBLY - WITH INSIDE EXTENSION RAILS for Breakdown) (SN 0200249260 to Present, SN 1200025023 through 1200030229, SN B200024834 through B200051215, SN M200000100 through M200021508)	
17	1001234398	1	Latch Assembly - With Inside Extension Rails (See LATCH ASSEMBLY - WITH INSIDE EXTENSION RAILS for Breakdown) (SN 1200030230 to Present, SN B200051216 to Present, SN M200021509 through M200039289)	

SECTION 4 - PLATFORM

FIGURE 4-2. PLATFORM INSTALLATION - WITH OUTSIDE EXTENSION RAILS AND WITHOUT LSS



ART_1001216837

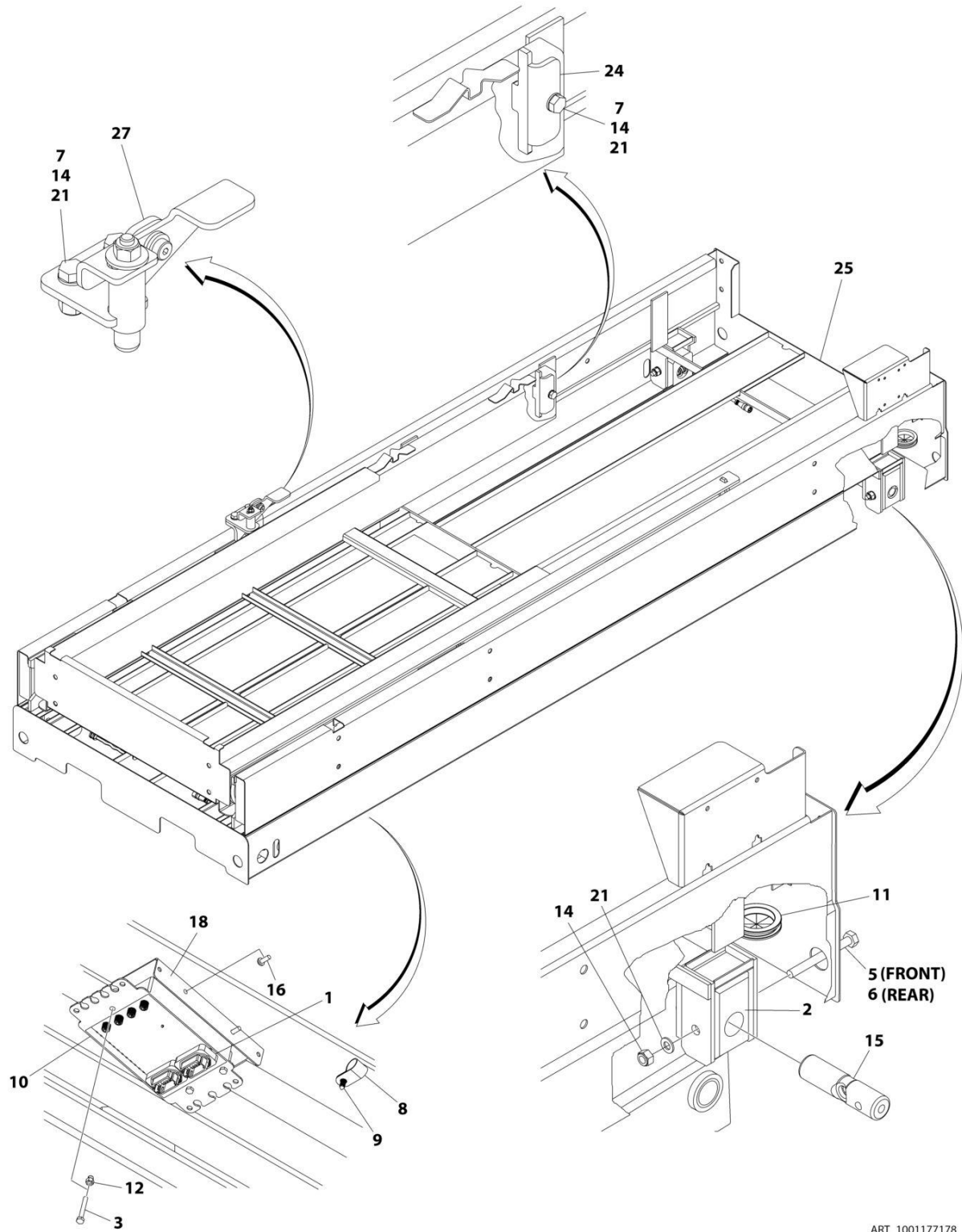
SECTION 4 - PLATFORM

FIGURE 4-2. PLATFORM INSTALLATION - WITH OUTSIDE EXTENSION RAILS AND WITHOUT LSS

ITEM	PART NUMBER	QTY	DESCRIPTION	REV
	1001216837	Ref	PLATFORM INSTALLATION - WITH OUTSIDE EXTENSION RAILS AND WITHOUT LSS	A
1	0561520	4	Block, Slide	
2	0701024	2	Bolt M10 x 80	
3	0701027	2	Bolt M10 x 100	
4	0761014	4	Bolt M10 x 30	
5	2540045	1	Grommet	
6	3291005	8	Nut M10	
7	3423049	4	Pin, Latch	
8	4812000	10	Washer M10	
9	1001175188	2	Bracket, Stop	
10	1001209256	1	Latch Assembly - With Outside Extension Rails (See LATCH ASSEMBLY - WITH OUTSIDE EXTENSION RAILS for Breakdown)	
11	1001215165	1	Platform and Extension Assembly - With Outside Extension Rails (See PLATFORM AND EXTENSION ASSEMBLY - WITH OUTSIDE EXTENSION RAILS for Breakdown)	

SECTION 4 - PLATFORM

FIGURE 4-3. PLATFORM INSTALLATION - WITH INSIDE EXTENSION RAILS AND WITH LSS



ART_1001177178

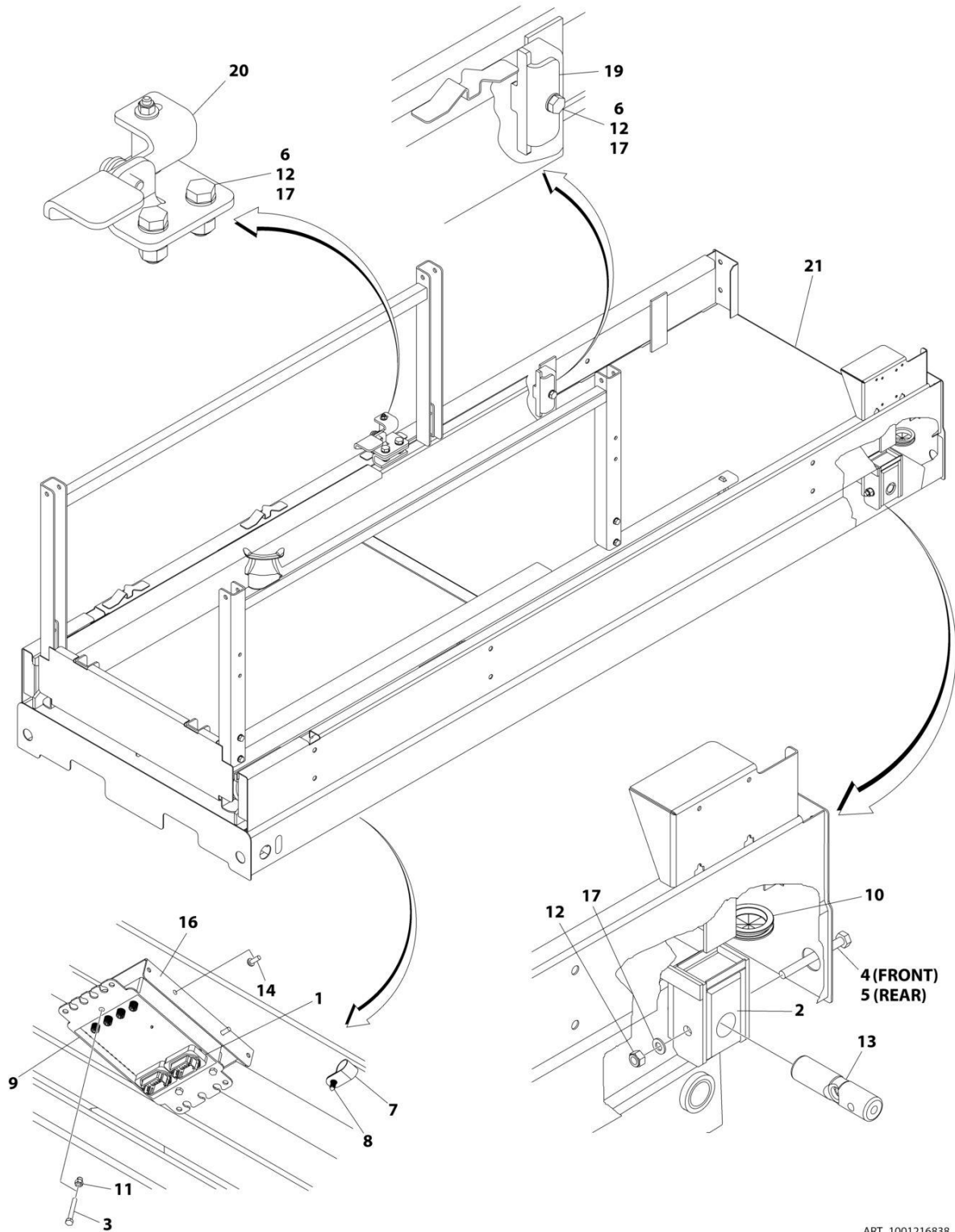
SECTION 4 - PLATFORM

FIGURE 4-3. PLATFORM INSTALLATION - WITH INSIDE EXTENSION RAILS AND WITH LSS

ITEM	PART NUMBER	QTY	DESCRIPTION	REV
	1001177178	Ref	PLATFORM INSTALLATION - WITH INSIDE EXTENSION RAILS AND WITH LSS	F
1	0100048	AR	Grease, Dielectric	
2	0561520	4	Block, Slide	
3	0700617	3	Bolt M6 x 45	
5	0701024	2	Bolt M10 x 80	
6	0701027	2	Bolt M10 x 100	
7	0761014	4	Bolt M10 x 30	
8	1320318	2	Clamp	
9	1380158	2	Clip, Retainer	
10	1600387	1	Controller, Load Sense	
11	2540045	1	Grommet	
12	3290606	3	Nut M6	
14	3291005	8	Nut M10	
15	3422938	4	Pin	
16	4191707	2	Screw M6 x 16	
17	4240033	AR	Tie-Strap (Not Shown)	
18	4340931	1	Mount, LSS Module	
21	4812000	10	Washer M10	
22	4923228	1	Harness, Load Sense without Fuse (Not Shown - See ELECTRICAL SECTION for Breakdown)	
22	1001263062	1	Harness, Load Sense with Fuse (Not Shown - See ELECTRICAL SECTION for Breakdown)	
24	1001175188	2	Bracket, Stop	
25	1001175462	1	Platform and Extension Assembly - With Inside Extension Rails (See PLATFORM AND EXTENSION ASSEMBLY - WITH INSIDE EXTENSION RAILS for Breakdown)	
27	1001182302	1	Latch Assembly - With Inside Extension Rails (See LATCH ASSEMBLY - WITH INSIDE EXTENSION RAILS for Breakdown) (SN 0200249260 to Present, SN 1200025023 through 1200030229, SN B200024834 through B200051215, SN M200000100 through M200021508)	
27	1001234398	1	Latch Assembly - With Inside Extension Rails (See LATCH ASSEMBLY - WITH INSIDE EXTENSION RAILS for Breakdown) (SN 1200030230 to Present, SN B200051216 to Present, SN M200021509 through M200039289)	

SECTION 4 - PLATFORM

FIGURE 4-4. PLATFORM INSTALLATION - WITH OUTSIDE EXTENSION RAILS AND WITH LSS



ART_1001216838

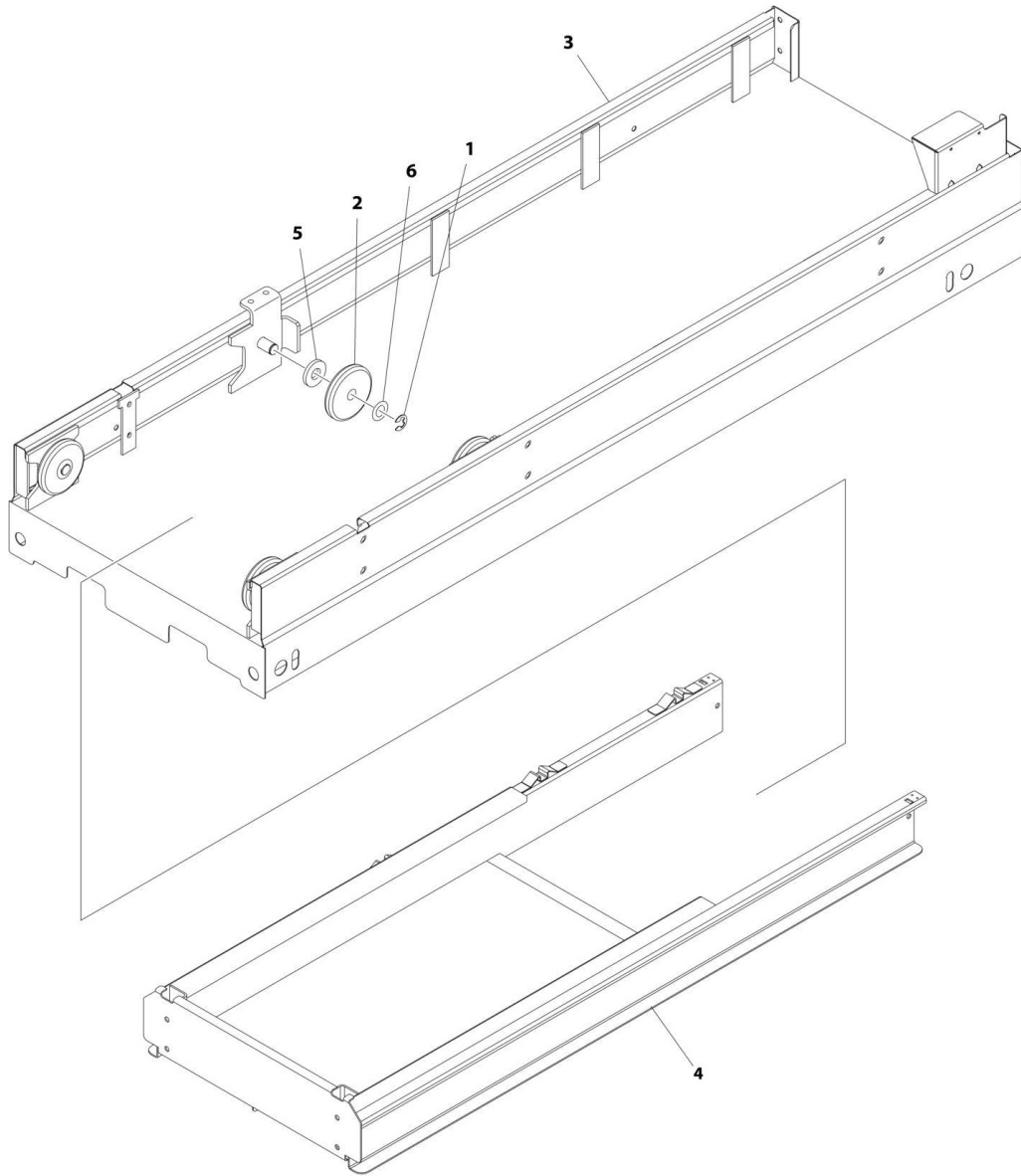
SECTION 4 - PLATFORM

FIGURE 4-4. PLATFORM INSTALLATION - WITH OUTSIDE EXTENSION RAILS AND WITH LSS

ITEM	PART NUMBER	QTY	DESCRIPTION	REV
	1001216838	Ref	PLATFORM INSTALLATION - WITH OUTSIDE EXTENSION RAILS AND WITH LSS	A
1	0100048	AR	Grease, Dielectric	
2	0561520	4	Block, Slide	
3	0700617	3	Bolt M6 x 45	
4	0701024	2	Bolt M10 x 80	
5	0701027	2	Bolt M10 x 100	
6	0761014	4	Bolt M10 x 30	
7	1320318	2	Clamp	
8	1380158	2	Clip, Retainer	
9	1600387	1	Controller, Load Sense	
10	2540045	1	Grommet	
11	3290606	3	Nut M6	
12	3291005	8	Nut M10	
13	3422938	4	Pin	
14	4191707	2	Screw M6 x 16	
15	4240033	AR	Tie-Strap (Not Shown)	
16	4340931	1	Mount, LSS Module	
17	4812000	10	Washer M10	
18	4923228	1	Harness, Load Sense (Not Shown - See ELECTRICAL SECTION for Breakdown)	
19	1001175188	2	Bracket, Stop	
20	1001209256	1	Latch Assembly - With Outside Extension Rails (See LATCH ASSEMBLY - WITH OUTSIDE EXTENSION RAILS for Breakdown)	
21	1001215165	1	Platform and Extension Assembly - With Outside Extension Rails (See PLATFORM AND EXTENSION ASSEMBLY - WITH OUTSIDE EXTENSION RAILS for Breakdown)	

SECTION 4 - PLATFORM

FIGURE 4-5. PLATFORM AND EXTENSION ASSEMBLY - WITH INSIDE EXTENSION RAILS



ART_1001175462

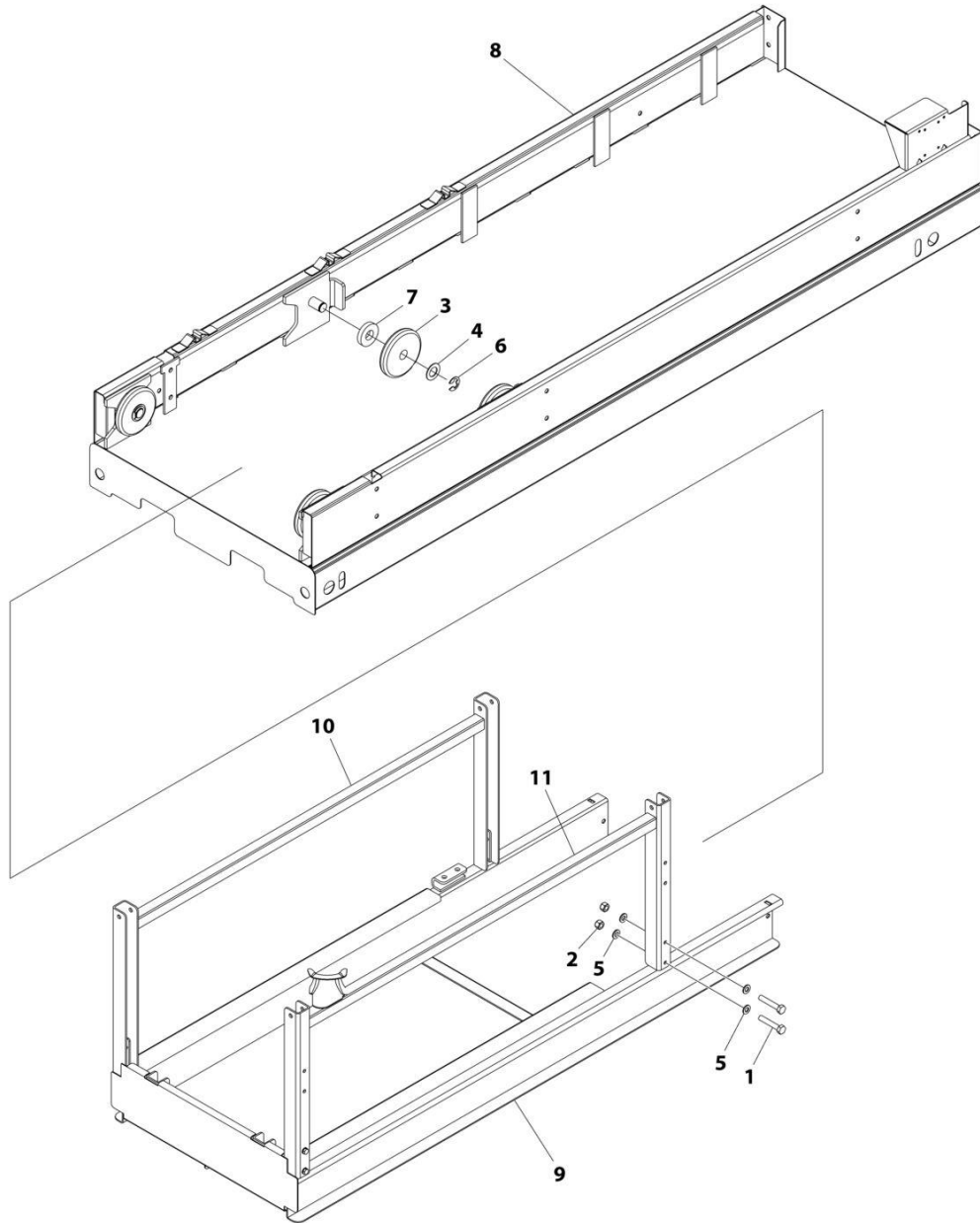
SECTION 4 - PLATFORM

FIGURE 4-5. PLATFORM AND EXTENSION ASSEMBLY - WITH INSIDE EXTENSION RAILS

ITEM	PART NUMBER	QTY	DESCRIPTION	REV
	1001175462	Ref	PLATFORM AND EXTENSION ASSEMBLY - WITH INSIDE EXTENSION RAILS	M
1	1001182339	4	Clip	
2	3860118	4	Roller (SN 0200000100 to Present, SN 1200000100 to Present, SN B200000100 through B200059543, SN M200036937 through M200039289)	
2	1001243601	4	Roller (SN B200059544 to Present)	
3	1001175274	1	Platform	
4	1001175290	1	Extension, Platform (SN 1200000100 through 1200030131, SN B200000100 through B200051215, SN M200000100 through M200019913)	
4	1001232145	1	Extension, Platform (SN 0200000100 to Present, SN 1200030132 to Present, SN B200051216 to Present, SN M200019914 through M200039289)	
5	1001182062	4	Tube, Spacer (SN 0200000100 to Present, SN 1200000100 to Present, SN B200000100 through B200059543, SN M200036937 through M200039289)	
6	4740446	4	Washer, Thrust	

SECTION 4 - PLATFORM

FIGURE 4-6. PLATFORM AND EXTENSION ASSEMBLY - WITH OUTSIDE EXTENSION RAILS



ART_1001215165

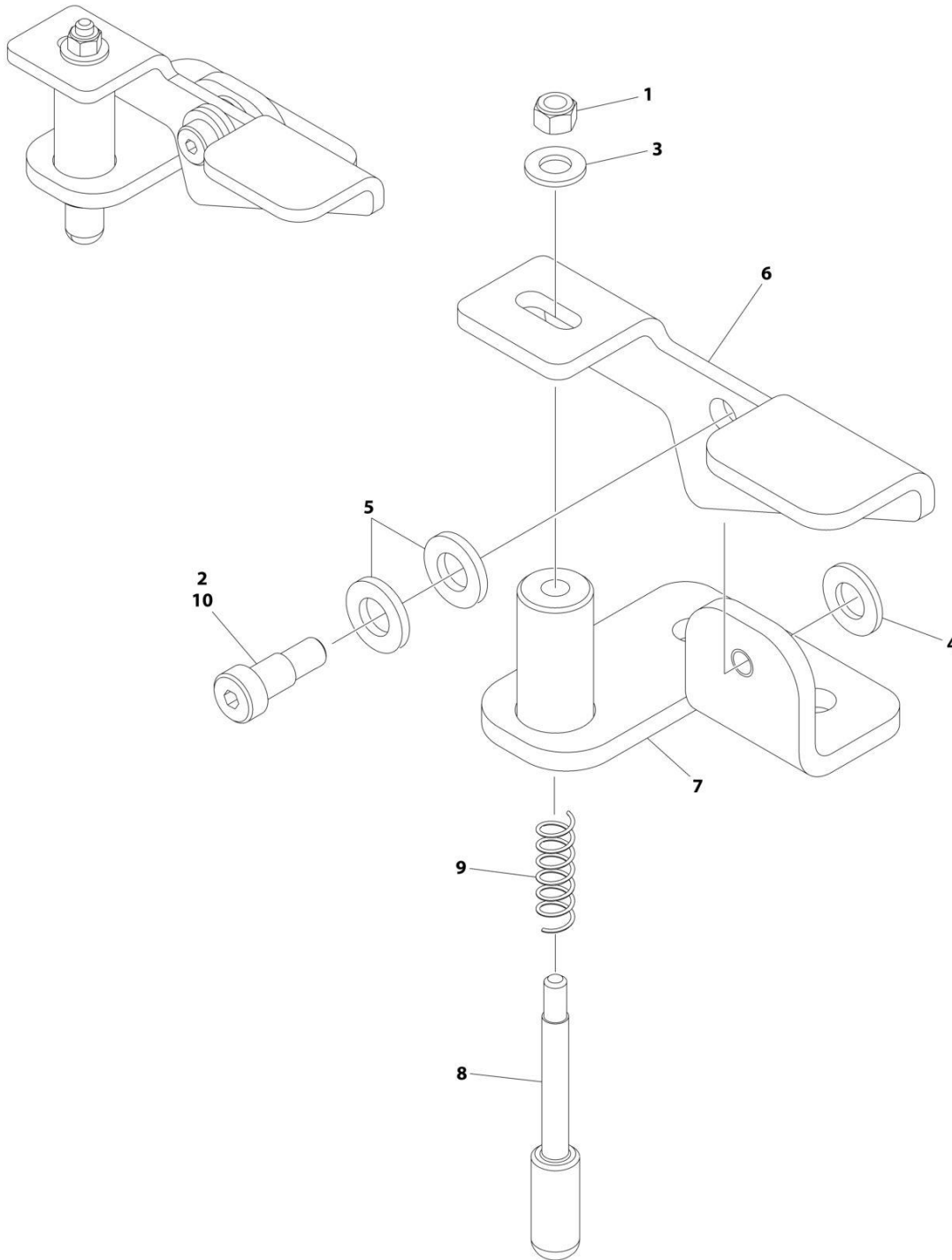
SECTION 4 - PLATFORM

FIGURE 4-6. PLATFORM AND EXTENSION ASSEMBLY - WITH OUTSIDE EXTENSION RAILS

ITEM	PART NUMBER	QTY	DESCRIPTION	REV
	1001215165	Ref	PLATFORM AND EXTENSION ASSEMBLY - WITH OUTSIDE EXTENSION RAILS	C
1	0700814	8	Bolt M8 x 30	
1	0700817	8	Bolt M8 x 45	
2	3290805	8	Nut M8	
3	3860118	4	Roller (SN 0200000100 to Present, SN 1200000100 to Present, SN B200000100 through B200059543, SN M200036937 through M200039289)	
3	1001243601	4	Roller (SN B200059544 to Present)	
4	4740446	4	Washer, Thrust	
5	4811900	16	Washer M8	
6	1001182339	4	Clip	
7	1001211892	4	Tube, Spacer (SN 0200000100 to Present, SN 1200000100 to Present, SN B200000100 through B200059543, SN M200036937 through M200039289)	
8	1001217729	1	Platform	
9	1001217730	1	Extension, Platform	
10	1001217923	1	Rail, Mid	
11	1001217924	1	Rail, Mid	

SECTION 4 - PLATFORM

FIGURE 4-7. LATCH ASSEMBLY - WITH INSIDE EXTENSION RAILS (SN 0200249260 to Present, SN 1200025023 through 1200030229, SN B200024834 through B200051215, SN M200000100 through M200021508)



ART_1001182302

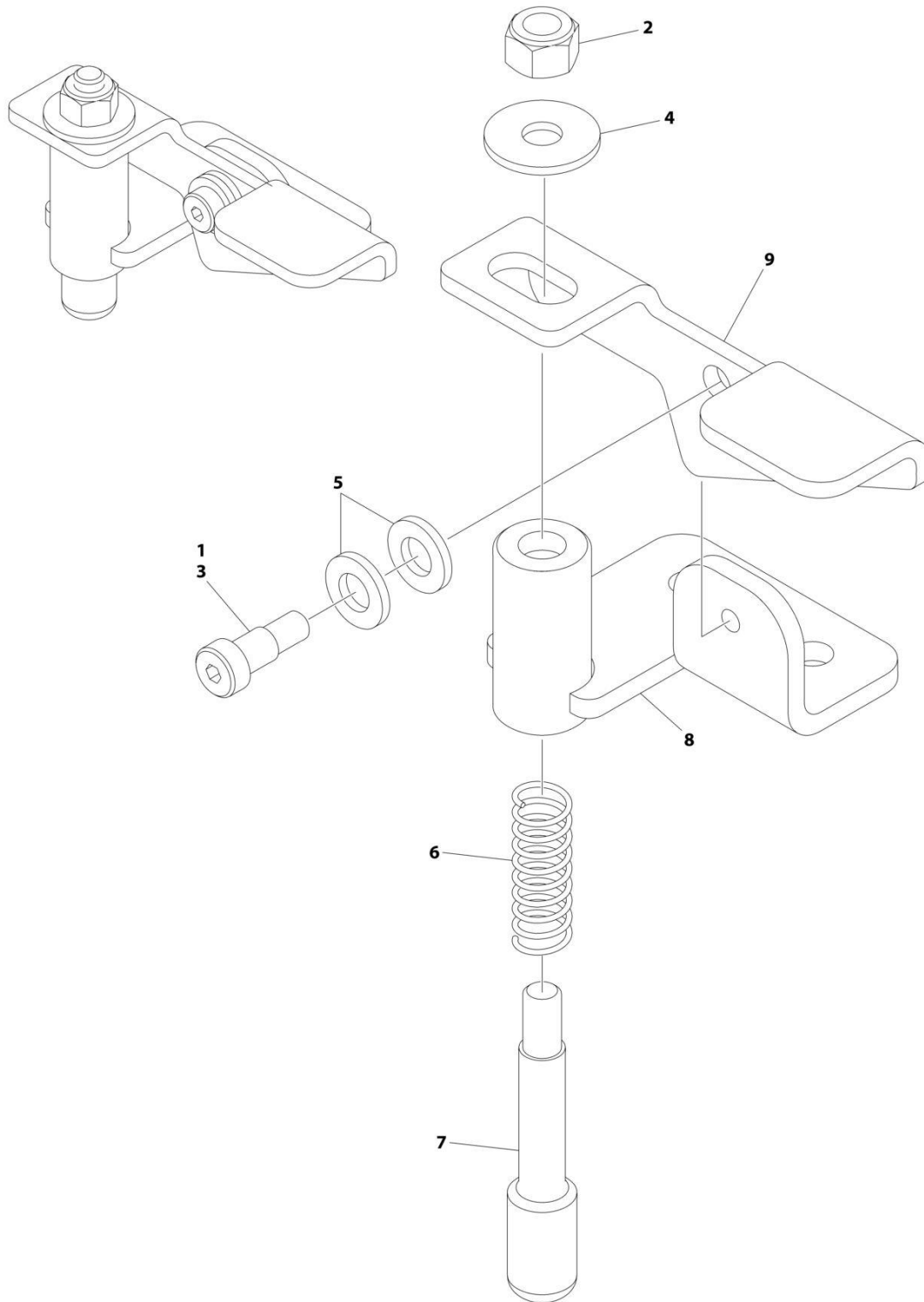
SECTION 4 - PLATFORM

FIGURE 4-7. LATCH ASSEMBLY - WITH INSIDE EXTENSION RAILS (SN 0200249260 to Present, SN 1200025023 through 1200030229, SN B200024834 through B200051215, SN M200000100 through M200021508)

ITEM	PART NUMBER	QTY	DESCRIPTION	REV
	1001182302	Ref	LATCH ASSEMBLY - WITH INSIDE EXTENSION RAILS	G
1	3290605	1	Nut M6	
2	3900190	1	Screw	
3	4811900	1	Washer M8	
4	4812000	1	Washer M10	
5	5241000	2	Washer M10	
6	1001178323	1	Latch	
7	1001182304	1	Bracket	
8	1001182305	1	Rod, Threaded	
9	1001182338	1	Spring	
10	0100011	AR	Compound, Locking	

SECTION 4 - PLATFORM

FIGURE 4-8. LATCH ASSEMBLY - WITH INSIDE EXTENSION RAILS (SN 1200030230 to Present, SN B200051216 to Present, SN M200021509 through M200039289)



ART_1001234398

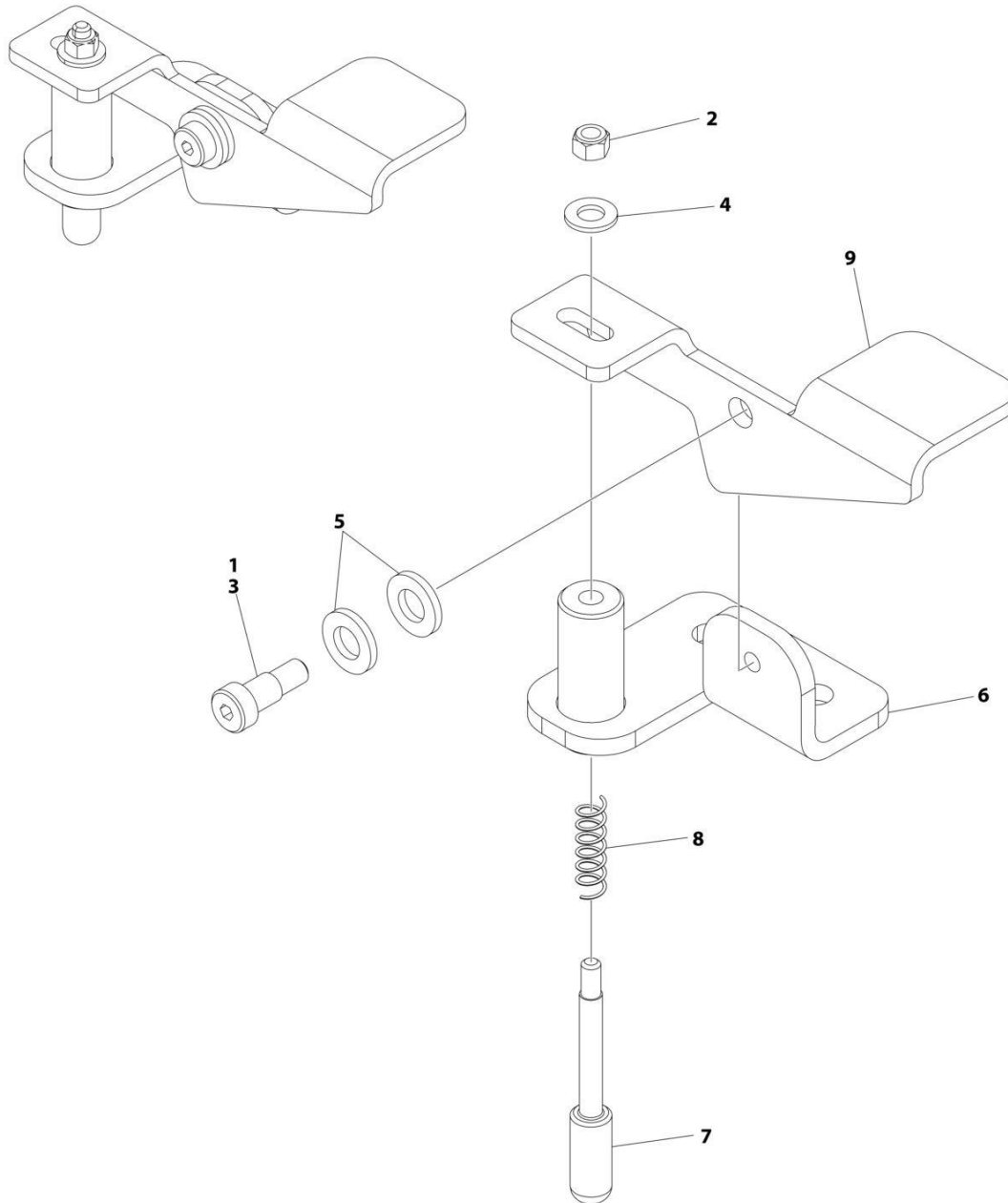
SECTION 4 - PLATFORM

FIGURE 4-8. LATCH ASSEMBLY - WITH INSIDE EXTENSION RAILS (SN 1200030230 to Present, SN B200051216 to Present, SN M200021509 through M200039289)

ITEM	PART NUMBER	QTY	DESCRIPTION	REV
	1001234398	Ref	LATCH ASSEMBLY - WITH INSIDE EXTENSION RAILS	B
1	0100011	AR	Compound, Locking	
2	3291005	1	Nut M10	
3	3900190	1	Screw	
4	4812002	1	Washer M10	
5	5241000	2	Washer M10	
6	1001221475	1	Spring	
7	1001221476	1	Rod, Threaded	
8	1001234399	1	Bracket	
9	1001234401	1	Latch	

SECTION 4 - PLATFORM

FIGURE 4-9. LATCH ASSEMBLY - WITH OUTSIDE EXTENSION RAILS



ART_1001209256

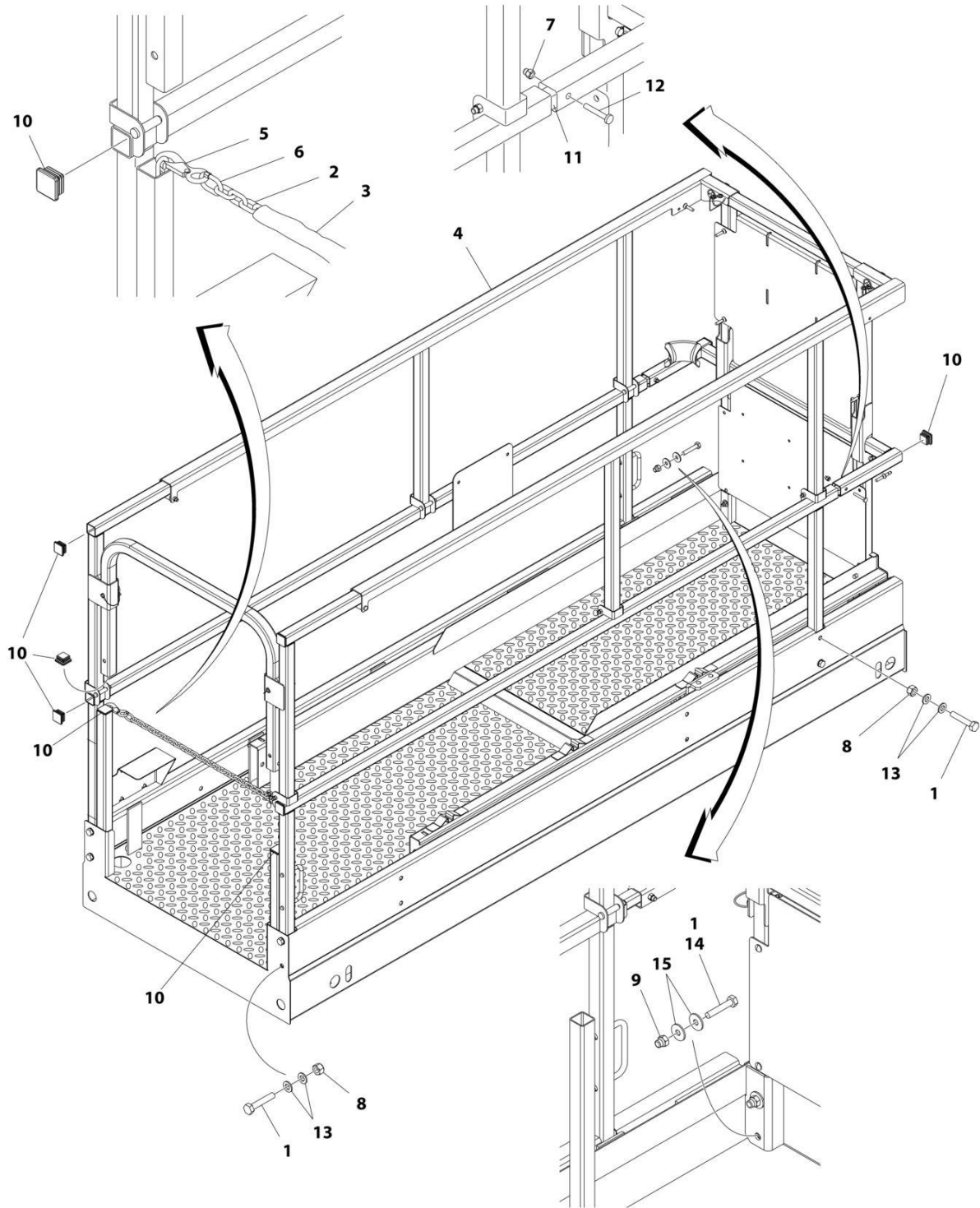
SECTION 4 - PLATFORM

FIGURE 4-9. LATCH ASSEMBLY - WITH OUTSIDE EXTENSION RAILS

ITEM	PART NUMBER	QTY	DESCRIPTION	REV
	1001209256	Ref	LATCH ASSEMBLY - WITH OUTSIDE EXTENSION RAILS	E
1	0100011	AR	Compound, Locking	
2	3290605	1	Nut M6	
2	3291005	1	Nut M10	
3	3900190	1	Screw	
4	4811900	1	Washer M8	
4	4812000	1	Washer M10	
4	4812002	1	Washer M10	
5	5241000	2	Washer M10	
6	1001182304	1	Bracket (SN 0200000100 through 0200260930, SN 1200000100 through 1200026931, SN B200024834 to Present, SN M200000100 through M200021508)	
6	1001234399	1	Bracket (SN 0200260931 to Present, SN 1200026932 to Present, SN M200021509 through M200039289)	
7	1001182305	1	Rod, Threaded (SN 0200000100 through 0200260930, SN 1200000100 through 1200026931, SN B200024834 to Present, SN M200000100 through M200021508)	
7	1001221476	1	Rod, Threaded (SN 0200260931 to Present, SN 1200026932 to Present, SN M200021509 through M200039289)	
8	1001182338	1	Spring (SN 0200000100 through 0200260930, SN 1200000100 through 1200026931, SN B200024834 to Present, SN M200000100 through M200021508)	
8	1001221475	1	Spring (SN 0200260931 to Present, SN 1200026932 to Present, SN M200021509 through M200039289)	
9	1001209280	1	Latch	

SECTION 4 - PLATFORM

FIGURE 4-10. RAILS INSTALLATION - WITH INSIDE EXTENSION RAILS AND CHAIN GATE



ART_1001176741

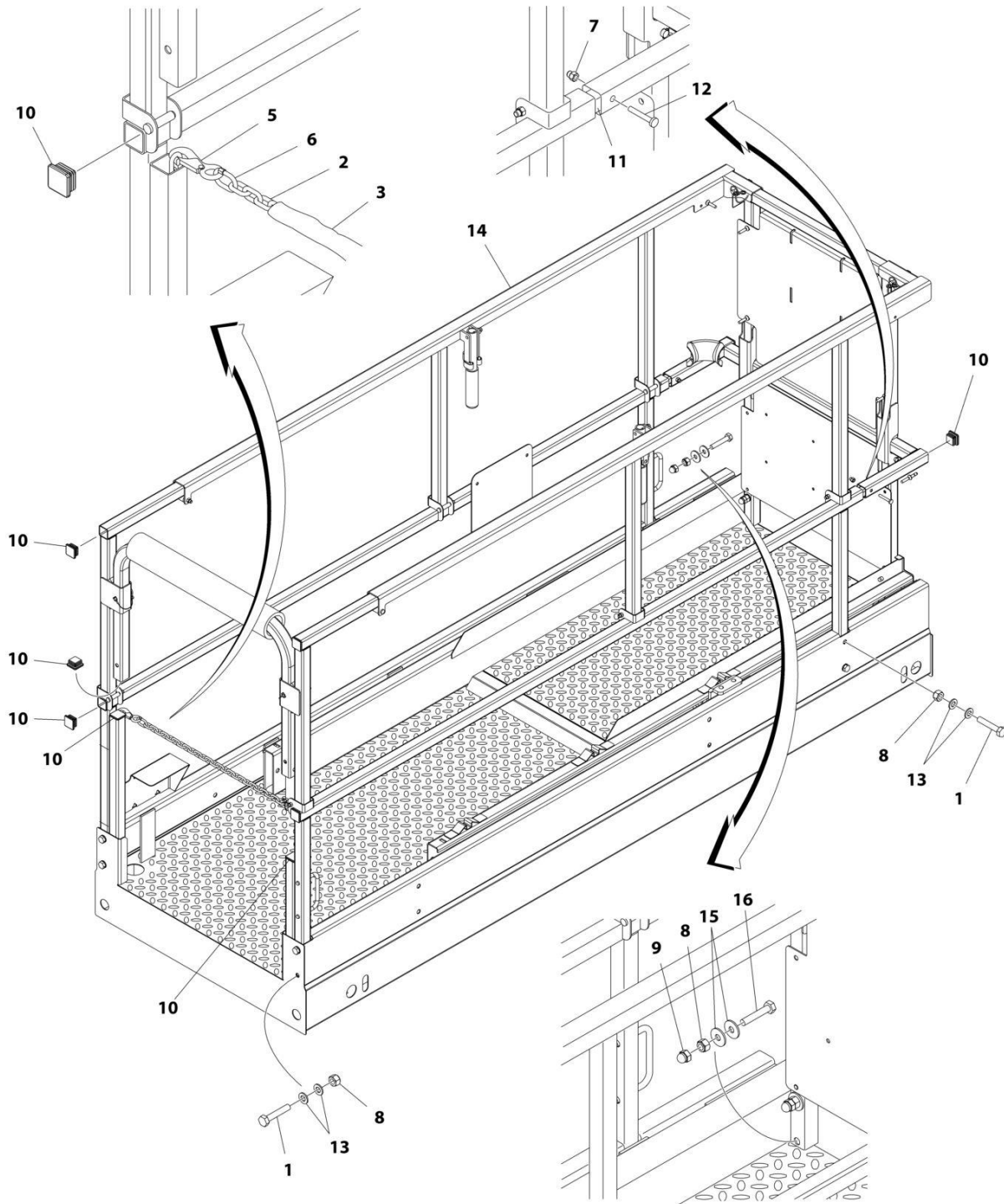
SECTION 4 - PLATFORM

FIGURE 4-10. RAILS INSTALLATION - WITH INSIDE EXTENSION RAILS AND CHAIN GATE

ITEM	PART NUMBER	QTY	DESCRIPTION	REV
	1001176741	Ref	RAILS INSTALLATION - WITH INSIDE EXTENSION RAILS AND CHAIN GATE	F
1	0701019	AR	Bolt M10 x 55	
2	1260136	20 in/ .5m	Chain	
3	2820097	19 in/ .48m	Cover, Chain	
4	1001179839	1	Rail Kit - With Inside Extension Rails and Chain Gate (See RAIL KIT - WITH INSIDE EXTENSION RAILS AND CHAIN GATE for Breakdown)	
5	2940064	1	Latch, Snap	
6	3010088	2	Link	
7	3290606	2	Nut M6	
8	3291005	AR	Nut M10	
9	3300477	4	Nut	
9	3291006	4	Nut M10	
10	3520072	8	Plug	
11	3841716	2	Rod, Fiberglass	
12	4010616	2	Screw M6 x 40	
13	4812000	AR	Washer M10	
14	0701019	4	Bolt M10 x 55	
14	0701018	4	Bolt M10 x 50	
15	4812000	8	Washer M10	
15	4812002	8	Washer M10	

SECTION 4 - PLATFORM

FIGURE 4-11. RAILS INSTALLATION - WITH INSIDE EXTENSION RAILS, HANDLE AND CHAIN GATE



ART_1001212851

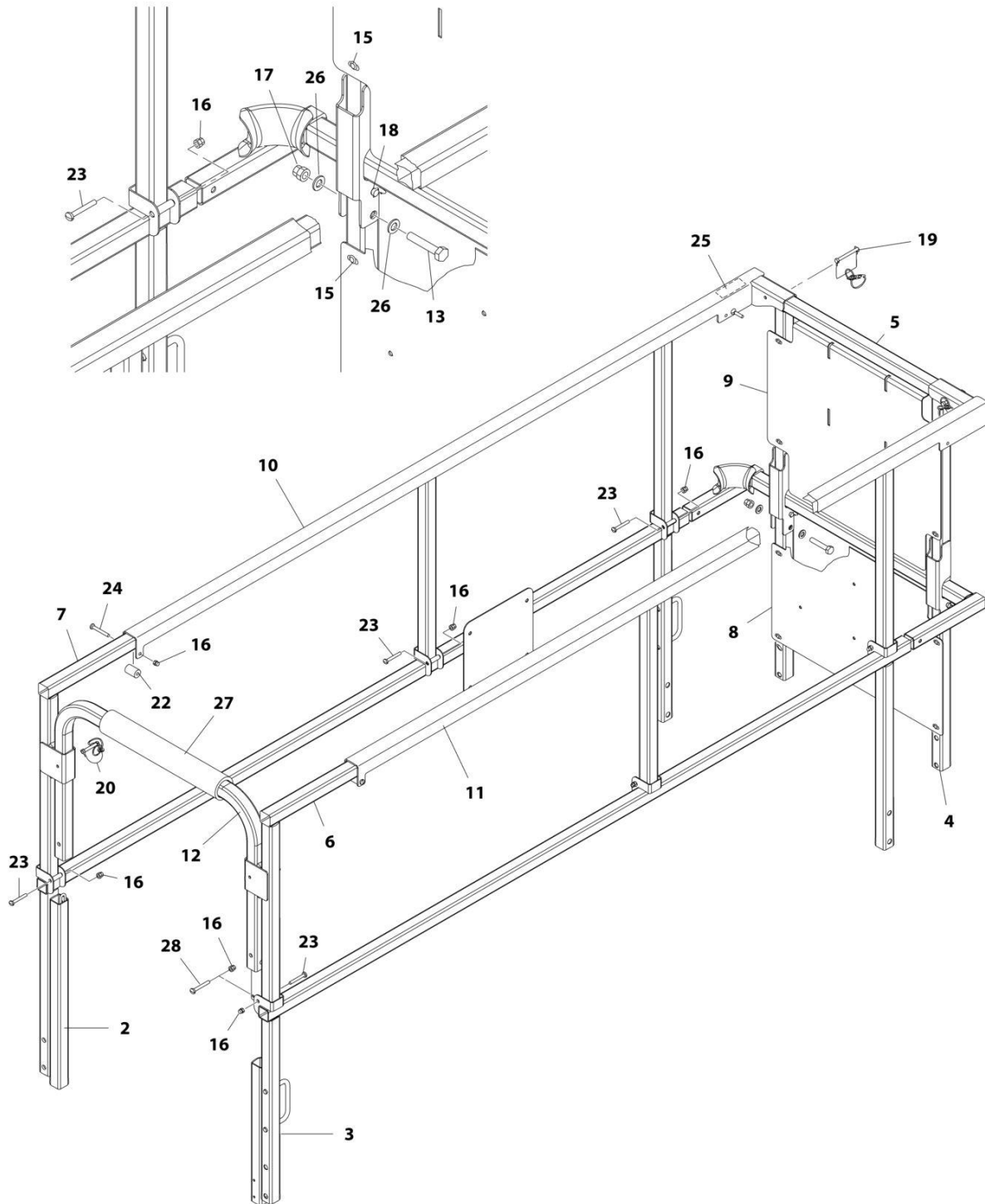
SECTION 4 - PLATFORM

FIGURE 4-11. RAILS INSTALLATION - WITH INSIDE EXTENSION RAILS, HANDLE AND CHAIN GATE

ITEM	PART NUMBER	QTY	DESCRIPTION	REV
	1001212851	Ref	RAILS INSTALLATION - WITH INSIDE EXTENSION RAILS, HANDLE AND CHAIN GATE	B
1	0701019	AR	Bolt M10 x 55	
2	1260136	20 in/ .5m	Chain	
3	2820097	19 in/ .48m	Cover, Chain	
5	2940064	1	Latch, Snap	
6	3010088	2	Link	
7	3290606	2	Nut M6	
8	3291005	12	Nut M10	
9	3300477	4	Nut	
10	3520072	8	Plug	
11	3841716	2	Rod, Fiberglass	
12	4010616	2	Screw M6 x 40	
13	4812000	AR	Washer M10	
14	1001212872	1	Rail Kit - With Inside Extension Rails, Handle and Chain Gate (See RAIL KIT - WITH INSIDE EXTENSION RAILS, HANDLE AND CHAIN GATE for Breakdown)	
15	4812000	8	Washer M10	
15	4812002	8	Washer M10	
16	0701019	4	Bolt M10 x 55	
16	0701021	4	Bolt M10 x 65	

SECTION 4 - PLATFORM

FIGURE 4-12. RAIL KIT - WITH INSIDE EXTENSION RAILS AND CHAIN GATE



ART_1001179839

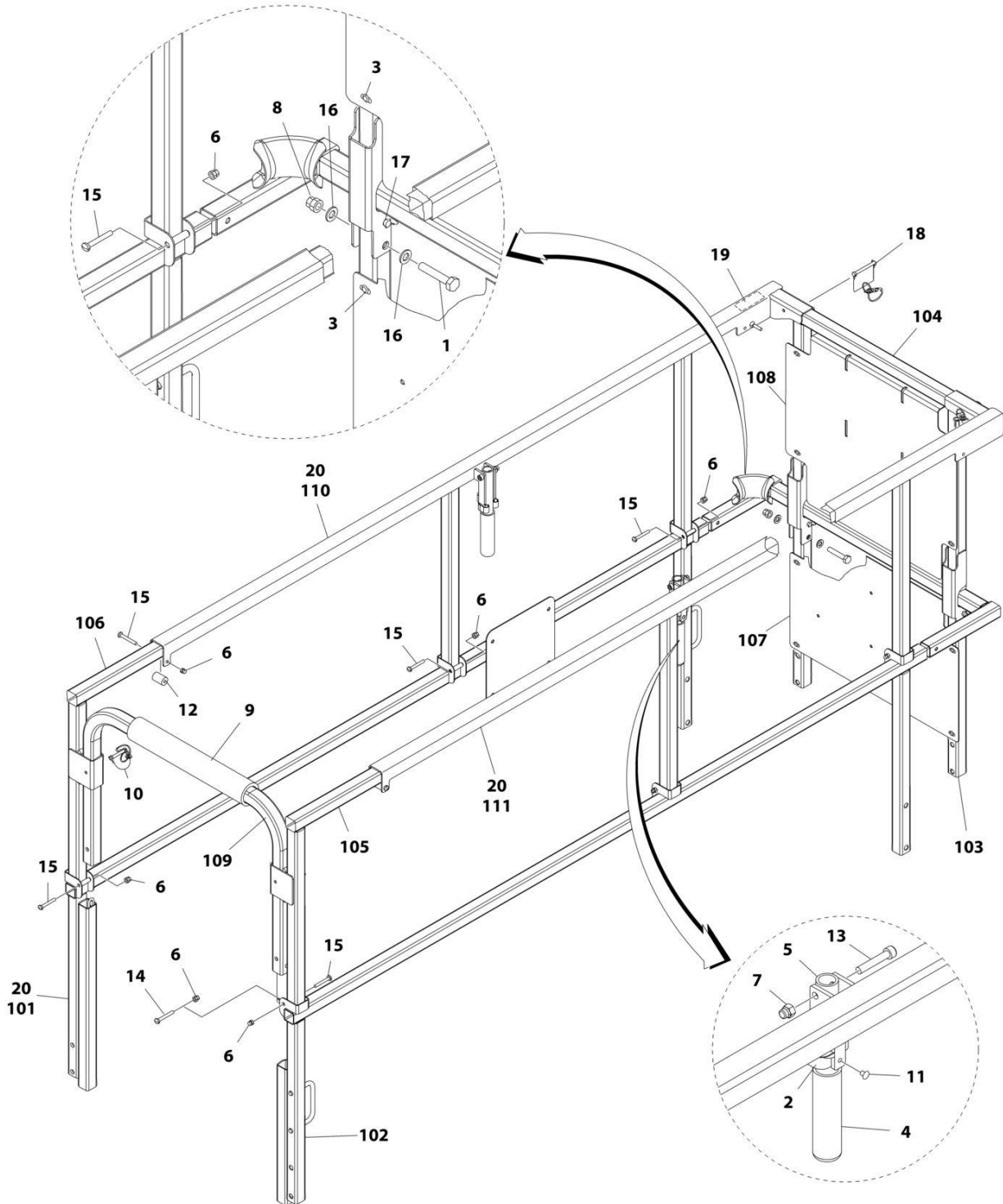
SECTION 4 - PLATFORM

FIGURE 4-12. RAIL KIT - WITH INSIDE EXTENSION RAILS AND CHAIN GATE

ITEM	PART NUMBER	QTY	DESCRIPTION	REV
	1001179839	Ref	RAIL KIT - WITH INSIDE EXTENSION RAILS AND CHAIN GATE	I
1	1001179273	1	Rail Kit Less Hardware (Not Shown - Includes Items 2-12)	
2	1001179275	1	Rail, Bottom Rear LH	
3	1001179276	1	Rail, Bottom Rear RH	
4	1001179277	1	Rail, Bottom Front	
5	1001179287	1	Rail, Top Front	
6	1001179288	1	Rail, Top RH	
7	1001179296	1	Rail, Top LH	
8	1001179298	1	Billboard, Bottom	
9	1001179299	1	Billboard, Top	
10	1001179301	1	Rail, Top LH Slide	
11	1001179304	1	Rail, Top RH Slide	
12	1001179332	1	Rail, Top Rear Entry	
13	0701019	2	Bolt M10 x 55	
14	1060379	2	Lanyard	
15	2080040	12	Fastener, Huck	
16	3290606	9	Nut M6	
17	3291006	2	Nut M10 Grade 8	
18	1001187587	2	Pin, Snap	
19	1001187585	2	Pin, Snap	
20	3423278	2	Pin, Snap	
21	3760170	2	Ring	
22	3860111	2	Roller	
23	4010617	6	Screw M6 x 45	
23	4010618	6	Screw M6 x 50	
24	4010618	2	Screw M6 x 50	
25	1001189762	AR	Tape	
26	4812000	4	Washer M10	
27	3340612	18 in /45cm	Pad, Cover	
28	4010616	1	Screw M6 x 40	

SECTION 4 - PLATFORM

FIGURE 4-13. RAIL KIT - WITH INSIDE EXTENSION RAILS, HANDLE AND CHAIN GATE



ART_1001212872

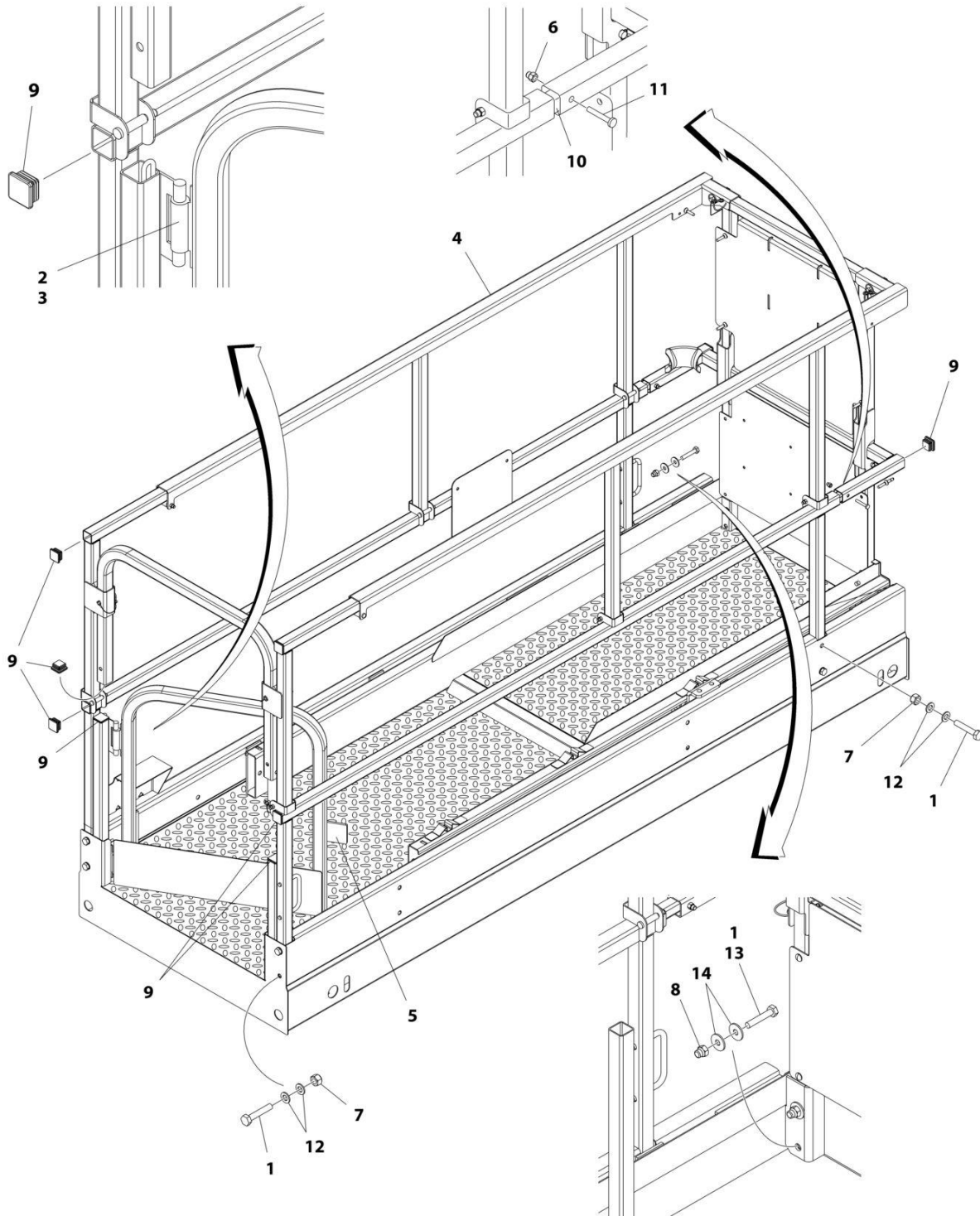
SECTION 4 - PLATFORM

FIGURE 4-13. RAIL KIT - WITH INSIDE EXTENSION RAILS, HANDLE AND CHAIN GATE

ITEM	PART NUMBER	QTY	DESCRIPTION	REV
	1001212872	Ref	RAIL KIT - WITH INSIDE EXTENSION RAILS, HANDLE AND CHAIN GATE	A
1	0701019	2	Bolt M10 x 55	
2	1380132	2	Clip, Gripper	
3	2080040	12	Fastener, Huck	
4	2560088	2	Handle	
5	2560190	2	Handle, Platform	
6	3290606	9	Nut M6	
7	3290806	2	Nut M8	
8	3291006	2	Nut M10 Grade 8	
9	3340612	18 in /45cm	Pad, Cover	
10	3423278	2	Pin, Snap	
11	3820019	2	Rivet	
12	3860111	2	Roller	
13	3900345	2	Screw	
14	4010616	1	Screw M6 x 40	
15	4010618	8	Screw M6 x 50	
16	4812000	4	Washer M10	
17	1001187585	2	Pin, Snap	
18	1001187587	2	Pin, Snap	
19	1001189762	AR	Tape	
20	1001212869	1	Rail Kit (See 101-111 for Breakdown)	
	1001212869	Ref	RAIL KIT	A
101	1001179275	1	Rail, Bottom Rear LH	
102	1001179276	1	Rail, Bottom Rear RH	
103	1001179277	1	Rail, Bottom Front	
104	1001179287	1	Rail, Top Front	
105	1001179288	1	Rail, Top RH	
106	1001179296	1	Rail, Top LH	
107	1001179298	1	Billboard, Bottom	
108	1001179299	1	Billboard, Top	
109	1001179332	1	Rail, Top Rear Entry	
110	1001212870	1	Rail, Top LH Slide	
111	1001212871	1	Rail, Top RH Slide	

SECTION 4 - PLATFORM

FIGURE 4-14. RAILS INSTALLATION - WITH INSIDE EXTENSION RAILS AND SELF CLOSING GATE



ART_1001176738

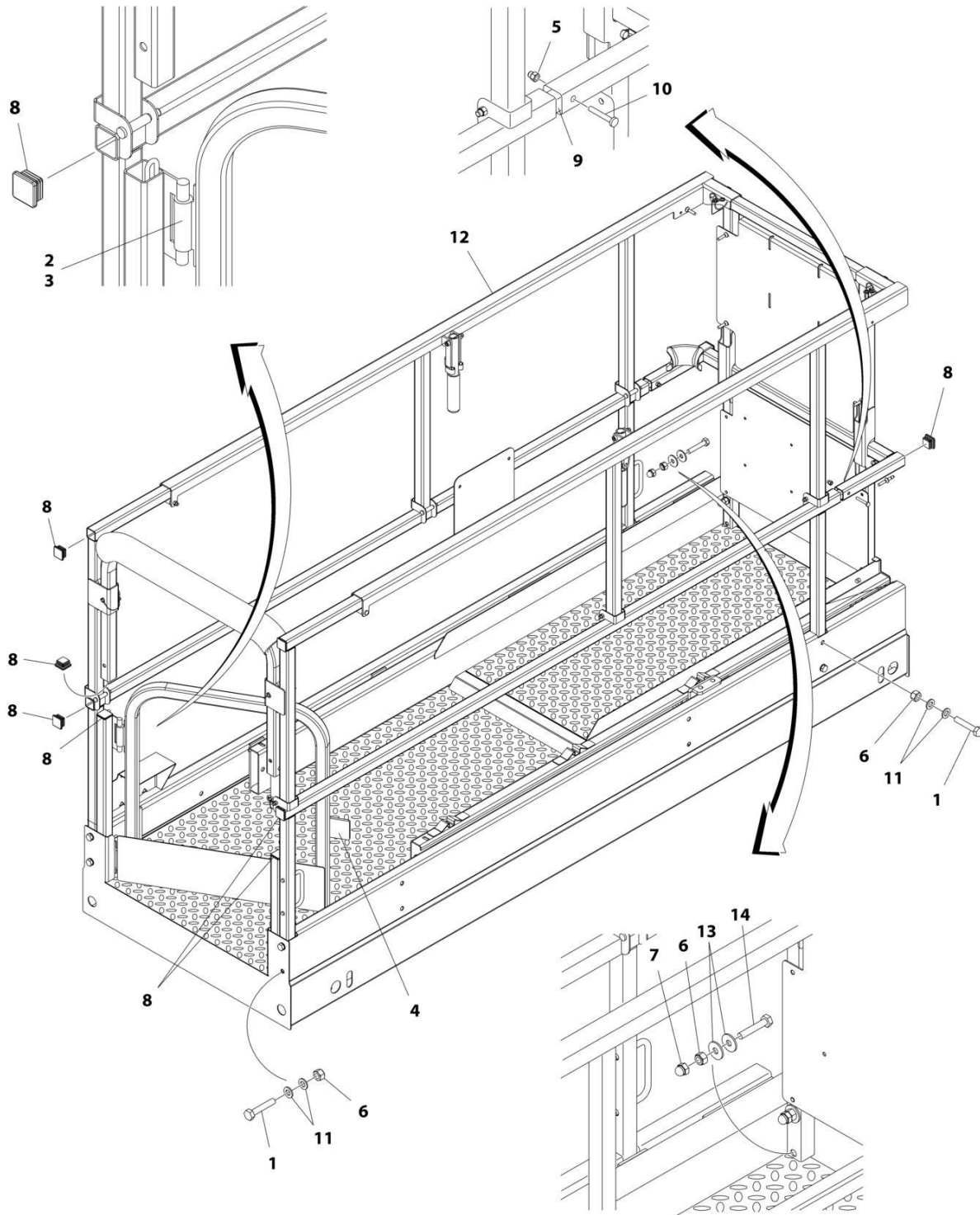
SECTION 4 - PLATFORM

FIGURE 4-14. RAILS INSTALLATION - WITH INSIDE EXTENSION RAILS AND SELF CLOSING GATE

ITEM	PART NUMBER	QTY	DESCRIPTION	REV
	1001176738	Ref	RAILS INSTALLATION - WITH INSIDE EXTENSION RAILS AND SELF CLOSING GATE	G
1	0701019	AR	Bolt M10 x 55	
2	2080040	8	Fastener, Huck	
3	2600281	2	Hinge	
4	1001179272	1	Rail Kit - With Inside Extension Rails and Self Closing Gate (See RAIL KIT - WITH INSIDE EXTENSION RAILS AND SELF CLOSING GATE for Breakdown)	
5	3080007	1	Magnet	
6	3290606	2	Nut M6	
7	3291005	AR	Nut M10	
8	3300477	4	Nut	
8	3291006	4	Nut M10	
9	3520072	8	Plug	
10	3841716	2	Rod, Fiberglass	
11	4010616	2	Screw M6 x 40	
12	4812000	AR	Washer M10	
13	0701019	4	Bolt M10 x 55	
13	0701018	4	Bolt M10 x 50	
14	4812000	8	Washer M10	
14	4812002	8	Washer M10	

SECTION 4 - PLATFORM

FIGURE 4-15. RAILS INSTALLATION - WITH INSIDE EXTENSION RAILS, HANDLE AND SELF CLOSING GATE



ART_1001212701

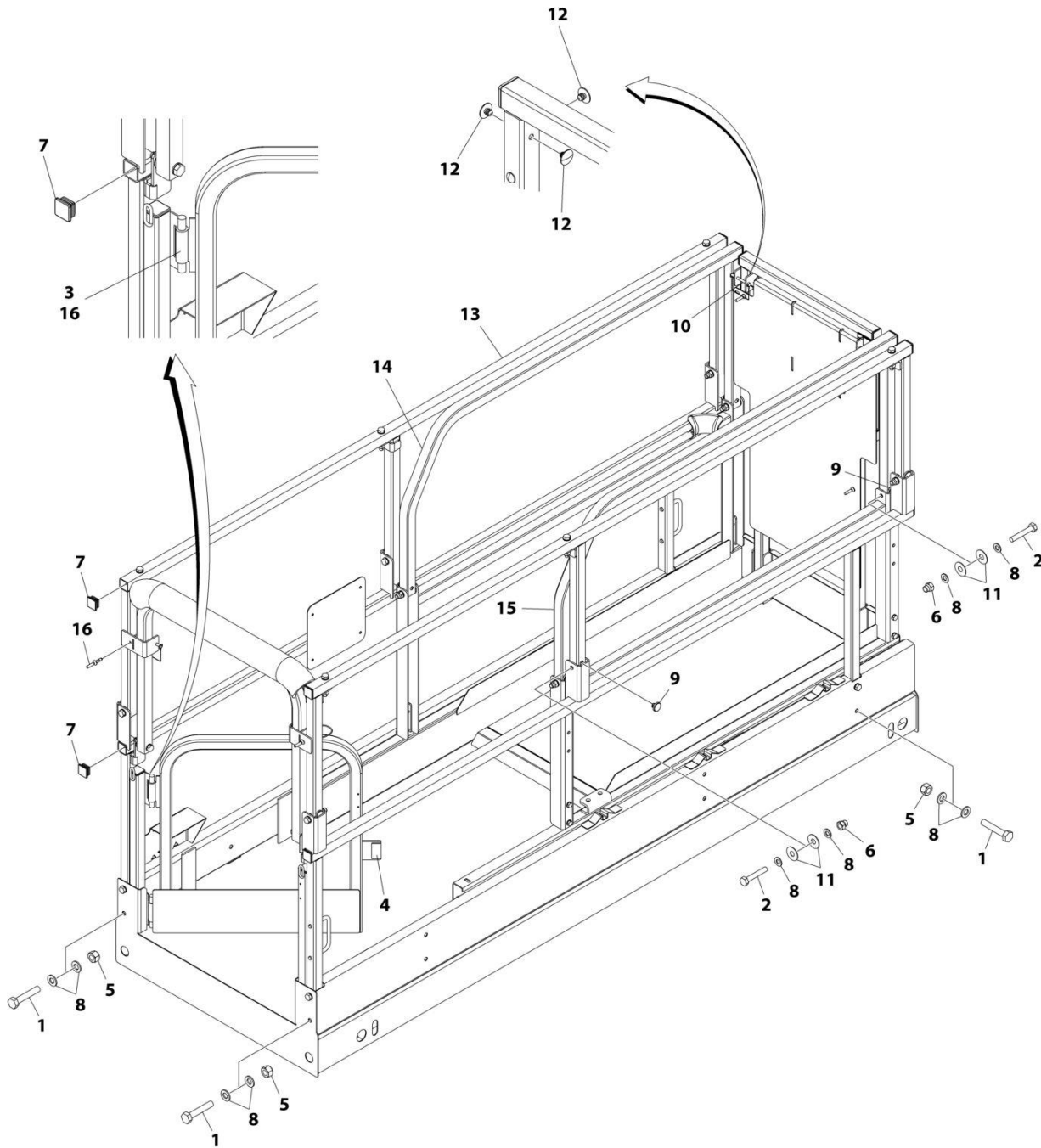
SECTION 4 - PLATFORM

FIGURE 4-15. RAILS INSTALLATION - WITH INSIDE EXTENSION RAILS, HANDLE AND SELF CLOSING GATE

ITEM	PART NUMBER	QTY	DESCRIPTION	REV
	1001212701	Ref	RAILS INSTALLATION - WITH INSIDE EXTENSION RAILS, HANDLE AND SELF CLOSING GATE	B
1	0701019	AR	Bolt M10 x 55	
2	2080040	8	Fastener, Huck	
3	2600281	2	Hinge	
4	3080007	1	Magnet	
5	3290606	2	Nut M6	
6	3291005	12	Nut M10	
7	3300477	4	Nut	
8	3520072	8	Plug	
9	3841716	2	Rod, Fiberglass	
10	4010616	2	Screw M6 x 40	
11	4812000	AR	Washer M10	
12	1001212868	1	Rail Kit - With Inside Extension Rails, Handle and Self Closing Gate (See RAIL KIT - WITH INSIDE EXTENSION RAILS, HANDLE AND SELF CLOSING GATE for Breakdown)	
13	4812000	8	Washer M10	
13	4812002	8	Washer M10	
14	0701019	AR	Bolt M10 x 55	
14	0701021	AR	Bolt M10 x 65	

SECTION 4 - PLATFORM

FIGURE 4-16. RAILS INSTALLATION - WITH OUTSIDE EXTENSION RAILS AND SELF CLOSING GATE



ART_10011215164

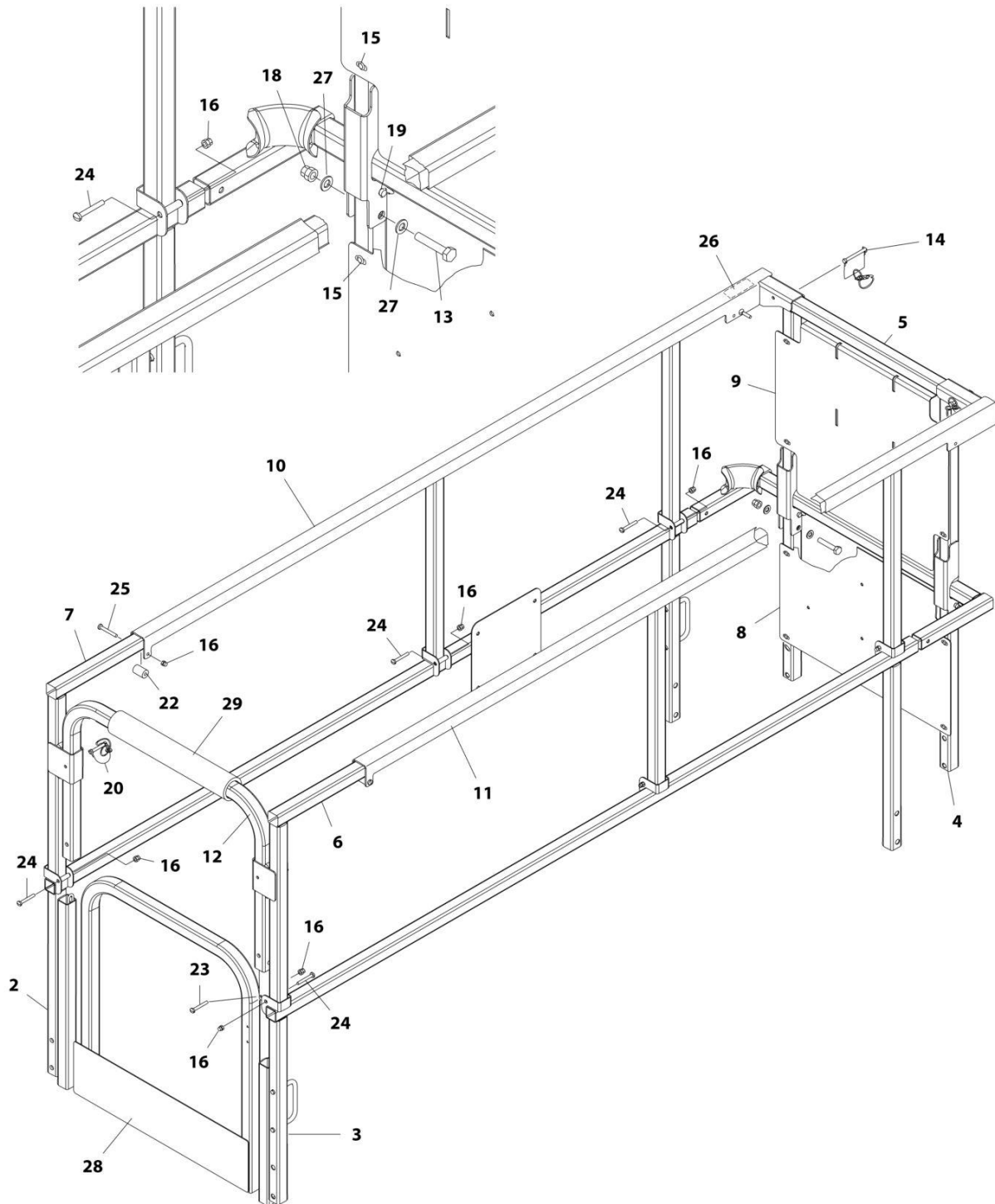
SECTION 4 - PLATFORM

FIGURE 4-16. RAILS INSTALLATION - WITH OUTSIDE EXTENSION RAILS AND SELF CLOSING GATE

ITEM	PART NUMBER	QTY	DESCRIPTION	REV
	1001215164	Ref	RAILS INSTALLATION - WITH OUTSIDE EXTENSION RAILS AND SELF CLOSING GATE	A
1	0701019	8	Bolt M10 x 55	
2	0701020	6	Bolt M10 x 60	
3	2600281	2	Hinge	
4	3080007	1	Magnet	
5	3291005	8	Nut M10	
6	3291006	6	Nut M10	
7	3520072	16	Plug	
8	4812000	28	Washer M10	
9	1001137675	4	Bumper	
10	1001187587	2	Pin	
11	1001211895	12	Plate, Washer	
12	1001211896	6	Bumper	
13	1001217731	1	Rail Kit - With Outside Extension Rails and Self Closing Gate (See RAIL KIT - WITH OUTSIDE EXTENSION RAILS AND SELF CLOSING GATE for Breakdown)	
14	1001217739	1	Rail, Left	
15	1001217740	1	Rail, Right	
16	2080040	10	Fastener, Huck	

SECTION 4 - PLATFORM

FIGURE 4-17. RAIL KIT - WITH INSIDE EXTENSION RAILS AND SELF CLOSING GATE



ART_1001179272

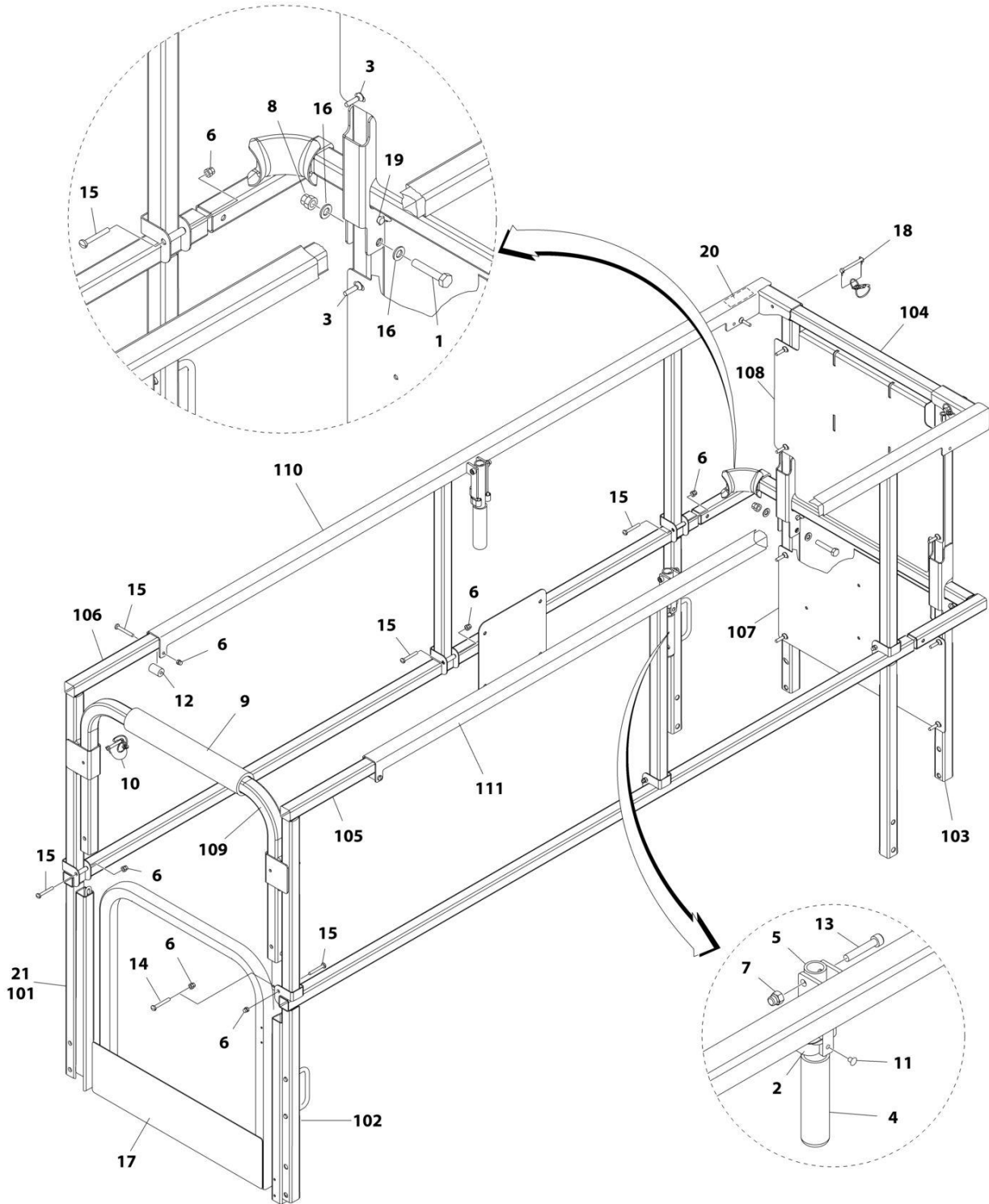
SECTION 4 - PLATFORM

FIGURE 4-17. RAIL KIT - WITH INSIDE EXTENSION RAILS AND SELF CLOSING GATE

ITEM	PART NUMBER	QTY	DESCRIPTION	REV
	1001179272	Ref	RAIL KIT - WITH INSIDE EXTENSION RAILS AND SELF CLOSING GATE	H
1	1001179273	1	Rail Kit Less Hardware (Not Shown - Includes Items 2-12)	
2	1001179275	1	Rail, Bottom Rear LH	
3	1001179276	1	Rail, Bottom Rear RH	
4	1001179277	1	Rail, Bottom Front	
5	1001179287	1	Rail, Top Front	
6	1001179288	1	Rail, Top RH	
7	1001179296	1	Rail, Top LH	
8	1001179298	1	Billboard, Bottom	
9	1001179299	1	Billboard, Top	
10	1001179301	1	Rail, Top LH Slide	
11	1001179304	1	Rail, Top RH Slide	
12	1001179332	1	Rail, Top Rear Entry	
13	0701019	2	Bolt M10 x 55	
14	1001187585	2	Lanyard	
15	2080040	12	Fastener, Huck	
16	3290606	8	Nut M6	
18	3291006	2	Nut M10 Grade 8	
19	1001187587	2	Pin, Snap	
20	3423278	2	Pin, Snap	
22	3860111	2	Roller	
23	4010616	1	Screw M6 x 40	
24	4010617	6	Screw M6 x 45	
24	4010618	6	Screw M6 x 50	
25	4010618	2	Screw M6 x 50	
26	1001189762	AR	Tape	
27	4812000	4	Washer M10	
28	4846723	1	Gate	
29	3340612	18 in /45cm	Pad, Cover	

SECTION 4 - PLATFORM

FIGURE 4-18. RAIL KIT - WITH INSIDE EXTENSION RAILS, HANDLE AND SELF CLOSING GATE



ART_1001212868

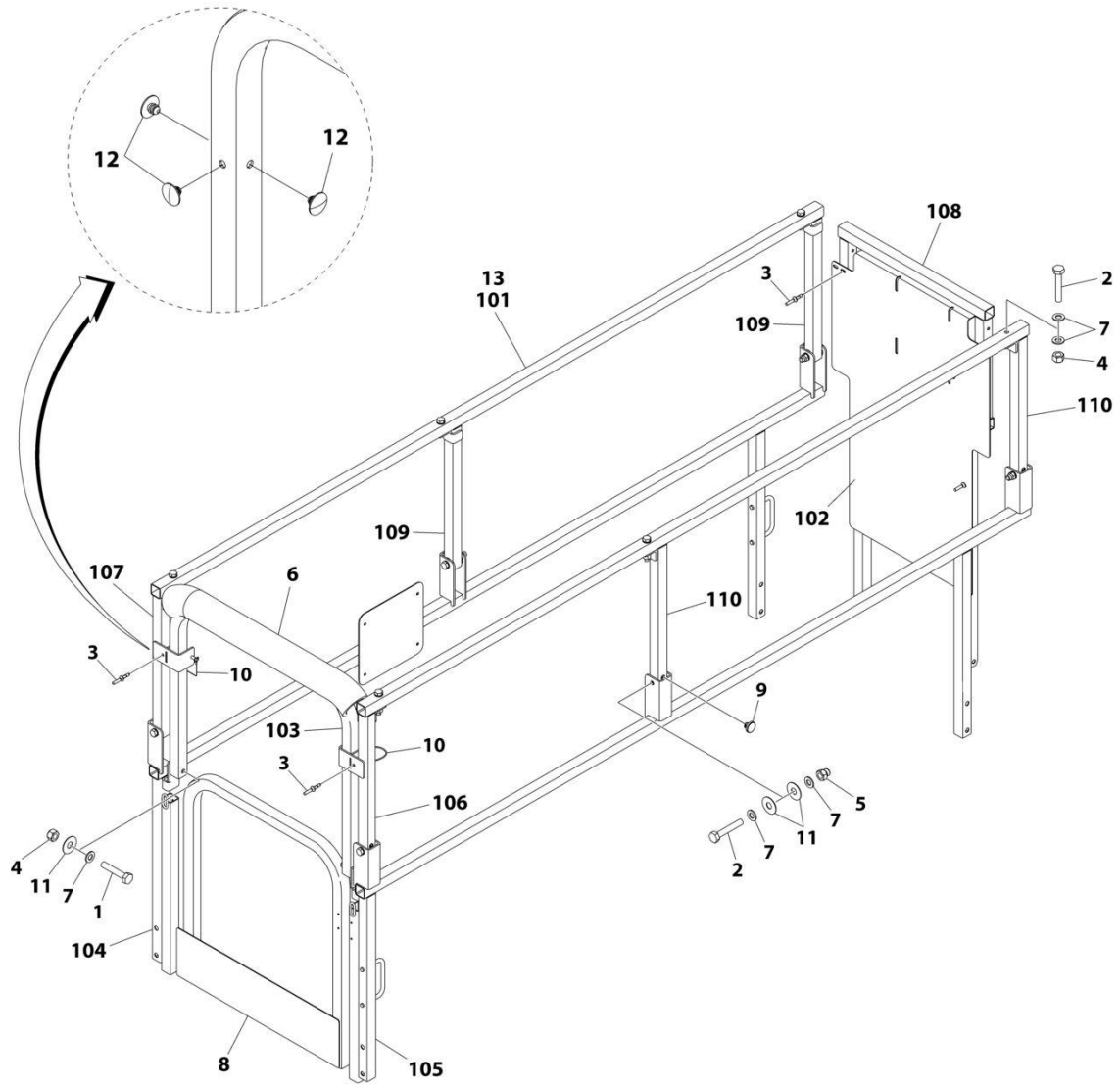
SECTION 4 - PLATFORM

FIGURE 4-18. RAIL KIT - WITH INSIDE EXTENSION RAILS, HANDLE AND SELF CLOSING GATE

ITEM	PART NUMBER	QTY	DESCRIPTION	REV
	1001212868	Ref	RAIL KIT - WITH INSIDE EXTENSION RAILS, HANDLE AND SELF CLOSING GATE	A
1	0701019	2	Bolt M10 x 55	
2	1380132	2	Clip, Gripper	
3	2080040	12	Fastener, Huck	
4	2560088	2	Handle	
5	2560190	2	Handle, Platform	
6	3290606	9	Nut M6	
7	3290806	2	Nut M8	
8	3291006	2	Nut M10	
9	3340612	18 in /45cm	Pad, Cover	
10	3423278	2	Pin	
11	3820019	2	Rivet	
12	3860111	2	Roller	
13	3900345	2	Screw	
14	4010616	1	Screw M6 x 40	
15	4010618	8	Screw M6 x 50	
16	4812000	4	Washer	
17	4846723	1	Gate	
18	1001187585	2	Pin	
19	1001187587	2	Pin	
20	1001189762	AR	Tape	
21	1001212869	1	Rail Kit (See Items 101-111 for Breakdown)	
	1001212869	Ref	RAIL KIT	A
101	1001179275	1	Rail, Bottom Rear LH	
102	1001179276	1	Rail, Bottom Rear RH	
103	1001179277	1	Rail, Bottom Front	
104	1001179287	1	Rail, Top Front	
105	1001179288	1	Rail, Top RH	
106	1001179296	1	Rail, Top LH	
107	1001179298	1	Billboard, Bottom	
108	1001179299	1	Billboard, Top	
109	1001179332	1	Tube, Drywall Gate	
110	1001212870	1	Rail, Top LH Slide	
111	1001212871	1	Rail, Top RH Slide	

SECTION 4 - PLATFORM

FIGURE 4-19. RAIL KIT - WITH OUTSIDE EXTENSION RAILS AND SELF CLOSING GATE



ART_1001217731

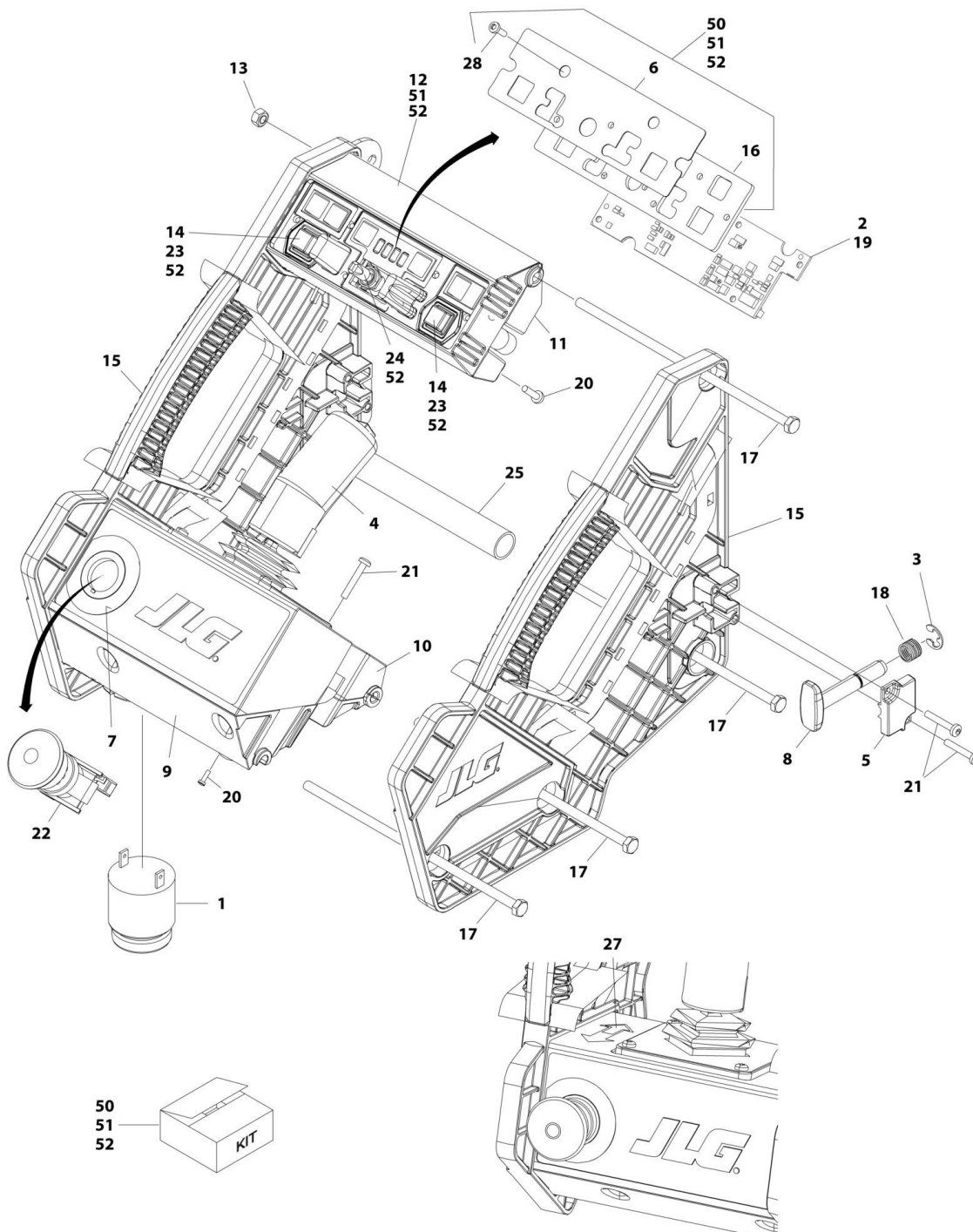
SECTION 4 - PLATFORM

FIGURE 4-19. RAIL KIT - WITH OUTSIDE EXTENSION RAILS AND SELF CLOSING GATE

ITEM	PART NUMBER	QTY	DESCRIPTION	REV
	1001217731	Ref	RAIL KIT - WITH OUTSIDE EXTENSION RAILS AND SELF CLOSING GATE	B
1	0701019	2	Bolt M10 x 55	
2	0701020	12	Bolt M10 x 60	
3	2080040	6	Fastener, Huck	
4	3291005	8	Nut M10	
5	3291006	6	Nut M10	
6	3340612	18 in/ 45cm	Pad, Cover	
7	4812000	26	Washer	
8	4846723	1	Gate	
9	1001137675	6	Bumper	
10	1001187587	2	Pin	
11	1001211895	14	Plate, Washer	
12	1001211896	6	Bumper	
13	1001217732	1	Rail Kit (See Items 101 to 110 for Breakdown)	
	1001217732	Ref	RAIL KIT	A
101	1001215179	2	Rail, Top	
102	1001217118	1	Plate, Billboard	
103	1001217173	1	Gate	
104	1001217733	1	Rail, Bottom LH	
105	1001217734	1	Rail, Bottom RH	
106	1001217735	1	Rail, Right Entrance	
107	1001217736	1	Rail, Left Entrance	
108	1001217737	1	Rail, Front	
109	1001217746	2	Rail, Support	
110	1001217747	2	Rail, Support	

SECTION 4 - PLATFORM

FIGURE 4-20. PLATFORM CONSOLE ASSEMBLY



NOTE: SEE USAGE CHART ON PARTS LIST BEFORE ORDERING PARTS.

ART_1001091153

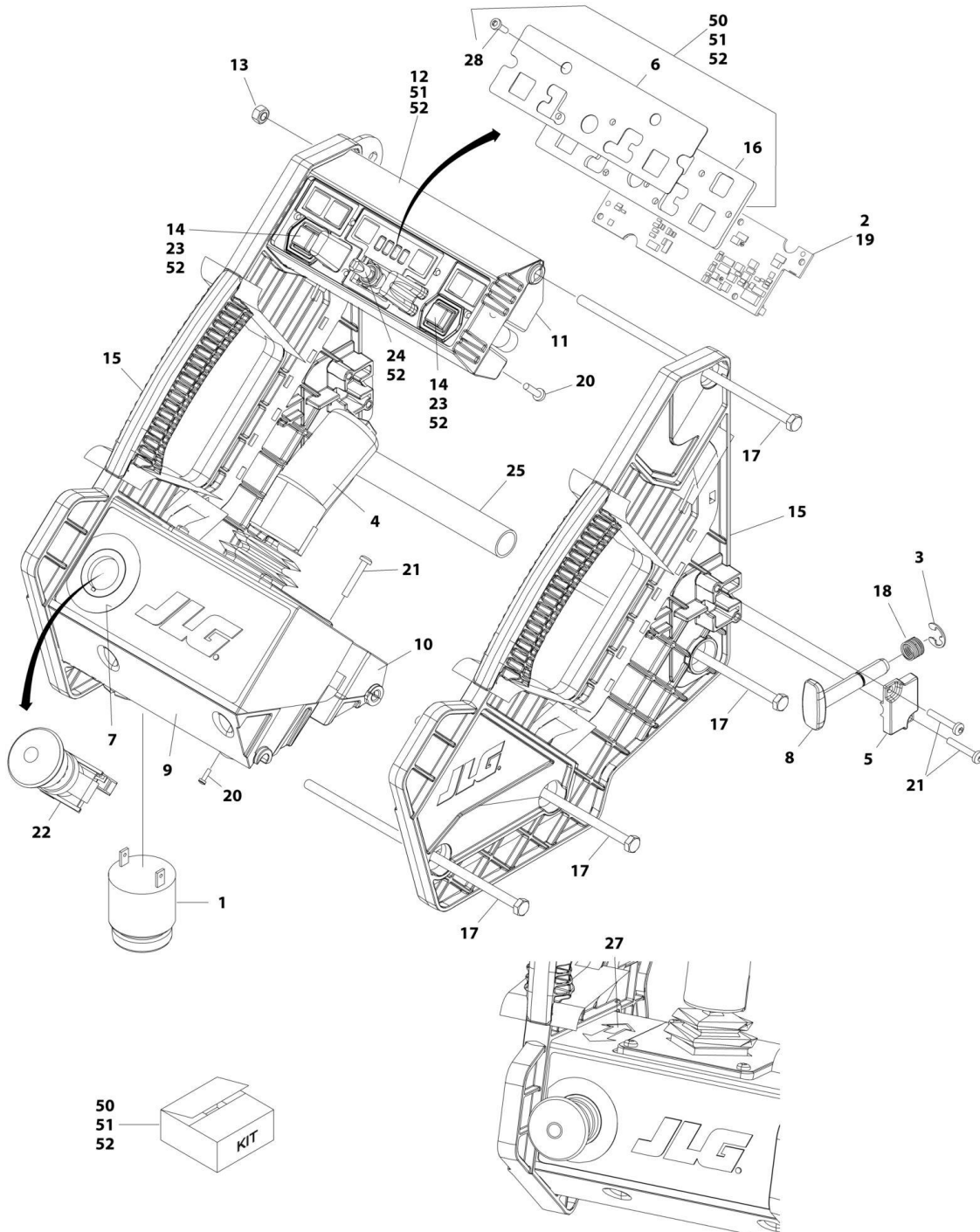
SECTION 4 - PLATFORM

FIGURE 4-20. PLATFORM CONSOLE ASSEMBLY

ITEM	PART NUMBER	QTY	DESCRIPTION	REV
	1001091153	Ref	PLATFORM CONSOLE ASSEMBLY	J
		Ref	Usage Chart	
		Ref	All Specs Except CE and Australian Specs	
		Ref	China Specs (SN B200000100 through B200028902)	
1	0140011	1	Alarm	
2	1600439	1	PC Board	
3	1380156	1	E-Clip	
4	1600402	1	Drive/Steer Controller Assembly (See DRIVE/STEER CONTROLLER ASSEMBLY for Breakdown)	
5	1671098	1	Latch	
6	1001091272	1	Decal - Icon	
7	1705676	1	Decal - Emergency Stop Ring	
8	2560179	1	Handle, Latch	
9	1001091277	1	Housing, Joystick (Lower)	
10	1001091278	1	Mount, Joystick	
11	1001091279	1	Housing, Module Mounting (Lower)	
12	1001091280	1	Housing, Module Mounting (Upper)	
13	3300473	4	Nut M6	
14	3340968	2	Button (Includes Black Button Only)	
15	3380475	2	Panel, Side	
16	1001091283	1	Plate, Decal	
17	3900333	4	Screw M6 x 190	
18	4160203	1	Spring, Compression	
19	4191306	5	Screw M3.5 x 12	
20	4191407	8	Screw M4 x 16	
21	4191409	6	Screw M4 x 25	
22	4360475	1	Switch, Emergency Stop	
22	7020175	1	Cap	
22	7020176	1	Block, Contact	
23	4360538	2	Strip, Switch and Membrane	
24	4360539	1	Switch, Toggle	
25	4568738	1	Tube, Spacer	
26	4922870	1	Harness, Platform Box (Not Shown - See ELECTRICAL SECTION for Breakdown)	
27	1703819	1	Decal - Directional Arrow	
28	1001091396	6	Screw M3.5 x 12	
29	See Note	NSS	Decal - Control Module (Not Shown) (Note: Not Available for Purchase) (SN 1200030132 to Present, SN B200051216 to Present, SN M200023869 through M200039289)	
50	1001091968	1	Decal Kit (Includes Items 6, 16 & 28) (Note: Two Item 6's are included in the kit - 1 for All Specs except CE/Australian Specs and 1 for CE/Australian Specs. Use decal required for applicable spec. Dispose of the decal not used)	A
51	1001091393	1	Decal and Housing Kit (Includes Items 6, 12, 16 & 28) (Note: Two Item 6's are included in the kit - 1 for All Specs except CE/Australian Specs and 1 for CE/Australian Specs. Use decal required for applicable spec. Dispose of the decal not used)	C
52	1001091965	1	Decal, Housing and PC Board Kit (Includes Items 2, 6, 12, 14, 16, 19, 23, 24 & 28) (Note: Two Item 6's are included in the kit - 1 for All Specs except CE/Australian Specs and 1 for CE/Australian Specs. Use decal required for applicable spec. Dispose of the decal not used)	C

SECTION 4 - PLATFORM

FIGURE 4-21. PLATFORM CONSOLE ASSEMBLY



NOTE: SEE USAGE CHART ON PARTS LIST BEFORE ORDERING PARTS.

ART_1001091154

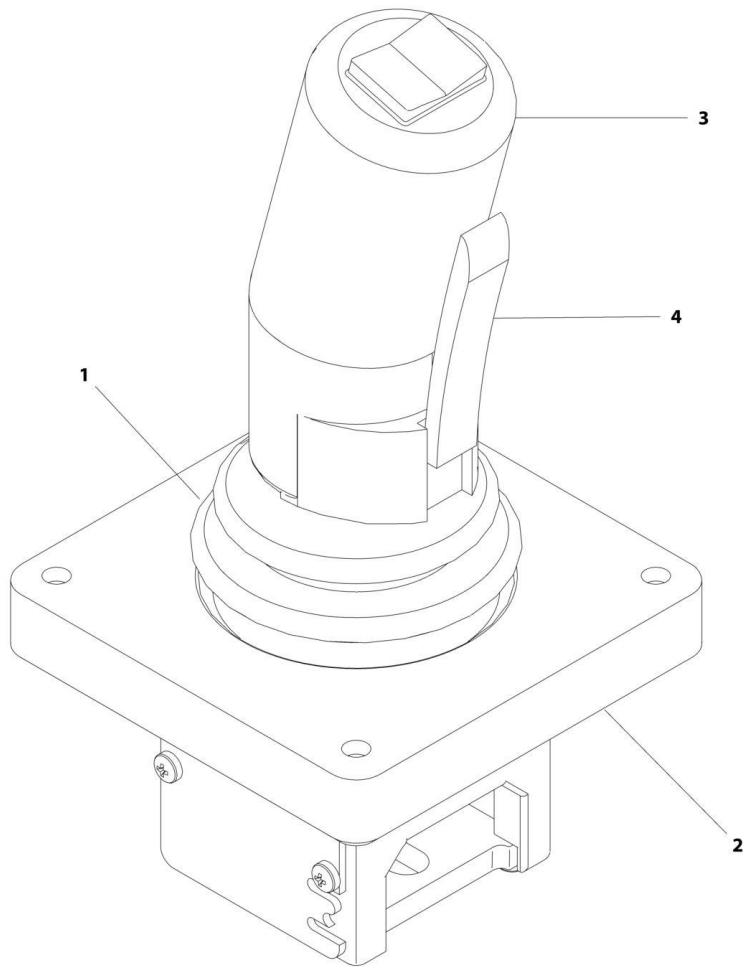
SECTION 4 - PLATFORM

FIGURE 4-21. PLATFORM CONSOLE ASSEMBLY

ITEM	PART NUMBER	QTY	DESCRIPTION	REV
	1001091154	Ref	PLATFORM CONSOLE ASSEMBLY	H
		Ref	Usage Chart	
		Ref	Australian Specs	
		Ref	CE Specs	
		Ref	China Specs (SN B200028902 to Present)	
1	0140011	1	Alarm	
2	1600439	1	PC Board	
3	1380156	1	E-Clip	
4	1600402	1	Drive/Steer Controller Assembly (See DRIVE/STEER CONTROLLER ASSEMBLY for Breakdown)	
5	1671098	1	Latch	
6	1001091275	1	Decal - Icon	
7	1705676	1	Decal - Emergency Stop Ring	
8	2560179	1	Handle, Latch	
9	1001091277	1	Housing, Joystick (Lower)	
10	1001091278	1	Mount, Joystick	
11	1001091279	1	Housing, Module Mounting (Lower)	
12	1001091280	1	Housing, Module Mounting (Upper)	
13	3300473	4	Nut M6	
14	3340968	2	Button (Includes Black Button Only)	
15	3380475	2	Panel, Side	
16	1001091283	1	Plate, Decal	
17	3900333	4	Screw M6 x 190	
18	4160203	1	Spring, Compression	
19	4191306	5	Screw M3.5 x 12	
20	4191407	8	Screw M4 x 16	
21	4191409	6	Screw M4 x 25	
22	4360475	1	Switch, Emergency Stop	
22	7020175	1	Cap	
22	7020176	1	Block, Contact	
23	4360538	2	Strip, Switch and Membrane	
24	4360539	1	Switch, Toggle	
25	4568738	1	Tube, Spacer	
26	4922870	1	Harness, Platform Box (Not Shown - See ELECTRICAL SECTION for Breakdown)	
27	1703819	1	Decal - Directional Arrow	
28	1001091396	6	Screw M3.5 x 12	
29	See Note	NSS	Decal - Control Module (Not Shown) (Note: Not Available for Purchase) (SN 1200030132 to Present, SN B200051216 to Present, SN M200023869 through M200039289)	
50	1001091968	1	Decal Kit (Includes Items 6, 16 & 28) (Note: Two Item 6's are included in the kit - 1 for All Specs except CE/Australian Specs and 1 for CE/Australian Specs. Use decal required for applicable spec. Dispose of the decal not used)	A
51	1001091393	1	Decal and Housing Kit (Includes Items 6, 12, 16 & 28) (Note: Two Item 6's are included in the kit - 1 for All Specs except CE/Australian Specs and 1 for CE/Australian Specs. Use decal required for applicable spec. Dispose of the decal not used)	C
52	1001091965	1	Decal, Housing and PC Board Kit (Includes Items 2, 6, 12, 14, 16, 19, 23, 24 & 28) (Note: Two Item 6's are included in the kit - 1 for All Specs except CE/Australian Specs and 1 for CE/Australian Specs. Use decal required for applicable spec. Dispose of the decal not used)	C

SECTION 4 - PLATFORM

FIGURE 4-22. DRIVE/STEER CONTROLLER ASSEMBLY



ART_1600402

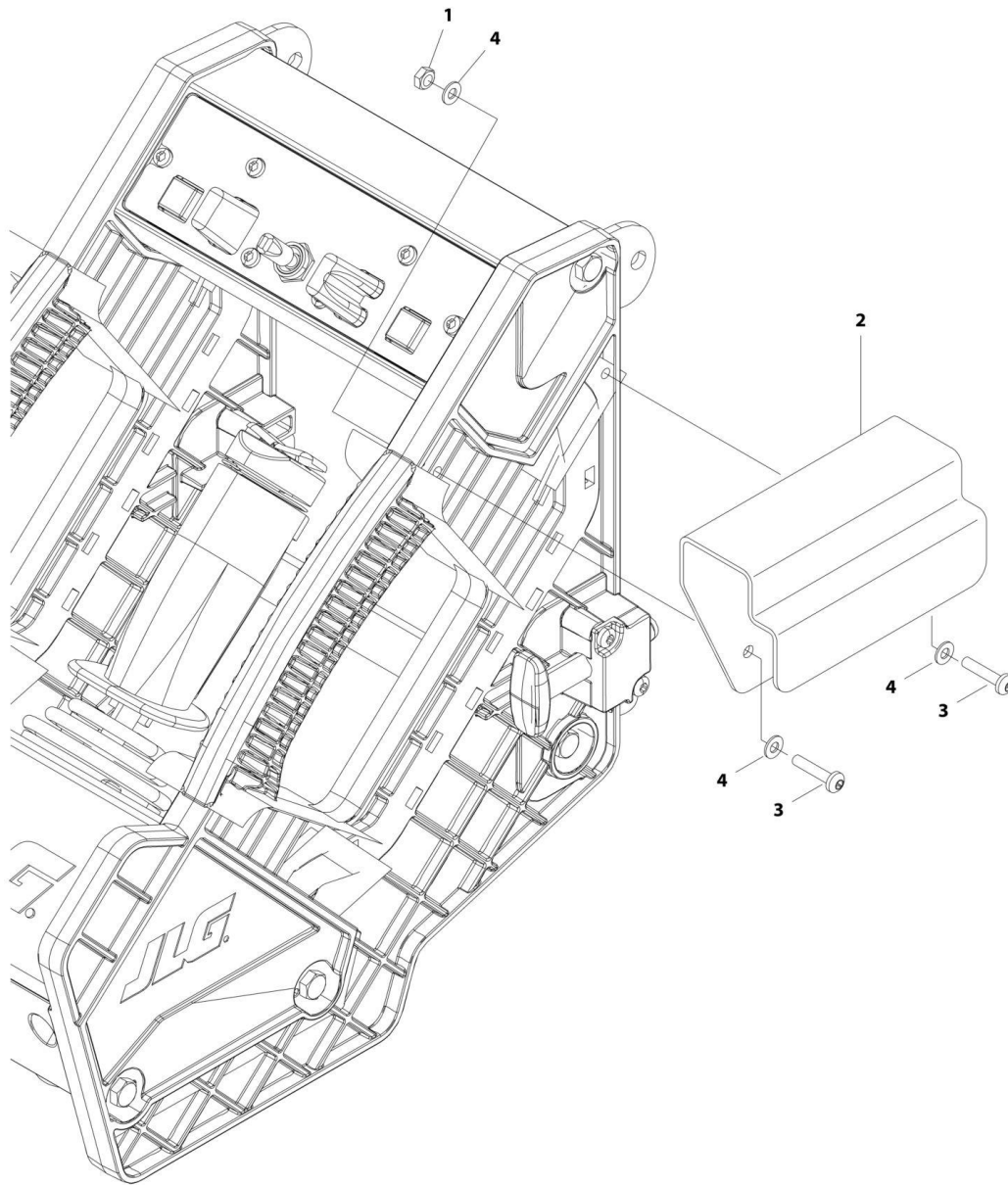
SECTION 4 - PLATFORM

FIGURE 4-22. DRIVE/STEER CONTROLLER ASSEMBLY

ITEM	PART NUMBER	QTY	DESCRIPTION	REV
	1600402	Ref	DRIVE/STEER CONTROLLER ASSEMBLY	A
1	70001250	1	Boot, Panel	
2	70001252	1	Gasket, Mounting	
2	70001251	1	Bezel, Mounting	
3	70003650	1	Handle Repair Kit (Includes handle gasket, item#4 push button and item#4 lever installed in front handle half, back handle half, top actuator, boot and hardware)	
3	70000084	1	Cap, Rubber	
3	70000082	1	Microswitch	
3	7027766	1	Ring, Retaining	
3	7027365	1	Actuator, Handle	
3	70001253	1	Gasket, Handle	
3	70000683	4	Washer, Neoprene	
3	70000685	2	Spacer, Plastic	
3	70000686	2	Screw (Top)	
3	70000684	2	Screw (Bottom)	
4	7027367	1	Switch, Push Button	
4	7027765	1	Lever, Enable	

SECTION 4 - PLATFORM

FIGURE 4-23. PLATFORM CONSOLE HANGER INSTALLATION (OPTIONAL)



ART_0274386

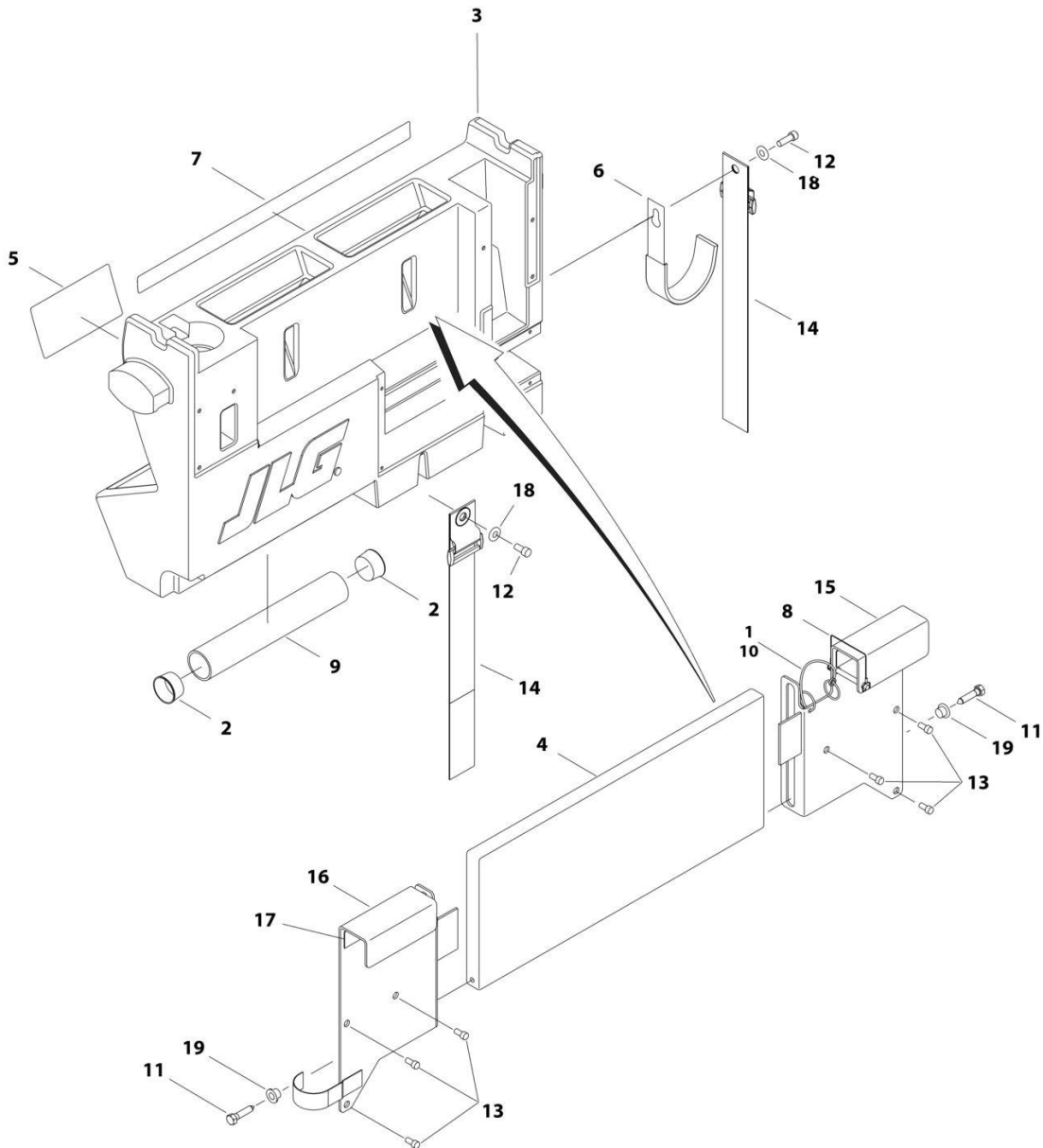
SECTION 4 - PLATFORM

FIGURE 4-23. PLATFORM CONSOLE HANGER INSTALLATION (OPTIONAL)

ITEM	PART NUMBER	QTY	DESCRIPTION	REV
	0274386	Ref	PLATFORM CONSOLE HANGER INSTALLATION (OPTIONAL)	B
1	3290405	2	Nut M4	
2	3575794	1	Plate, Bracket	
3	3900338	2	Screw M4 x 20	
4	4811400	4	Washer M4	

SECTION 4 - PLATFORM

FIGURE 4-24. WORKSTATION WITHOUT DC CONVERTER INSTALLATION - 2032ES/2632ES



ART_0240087

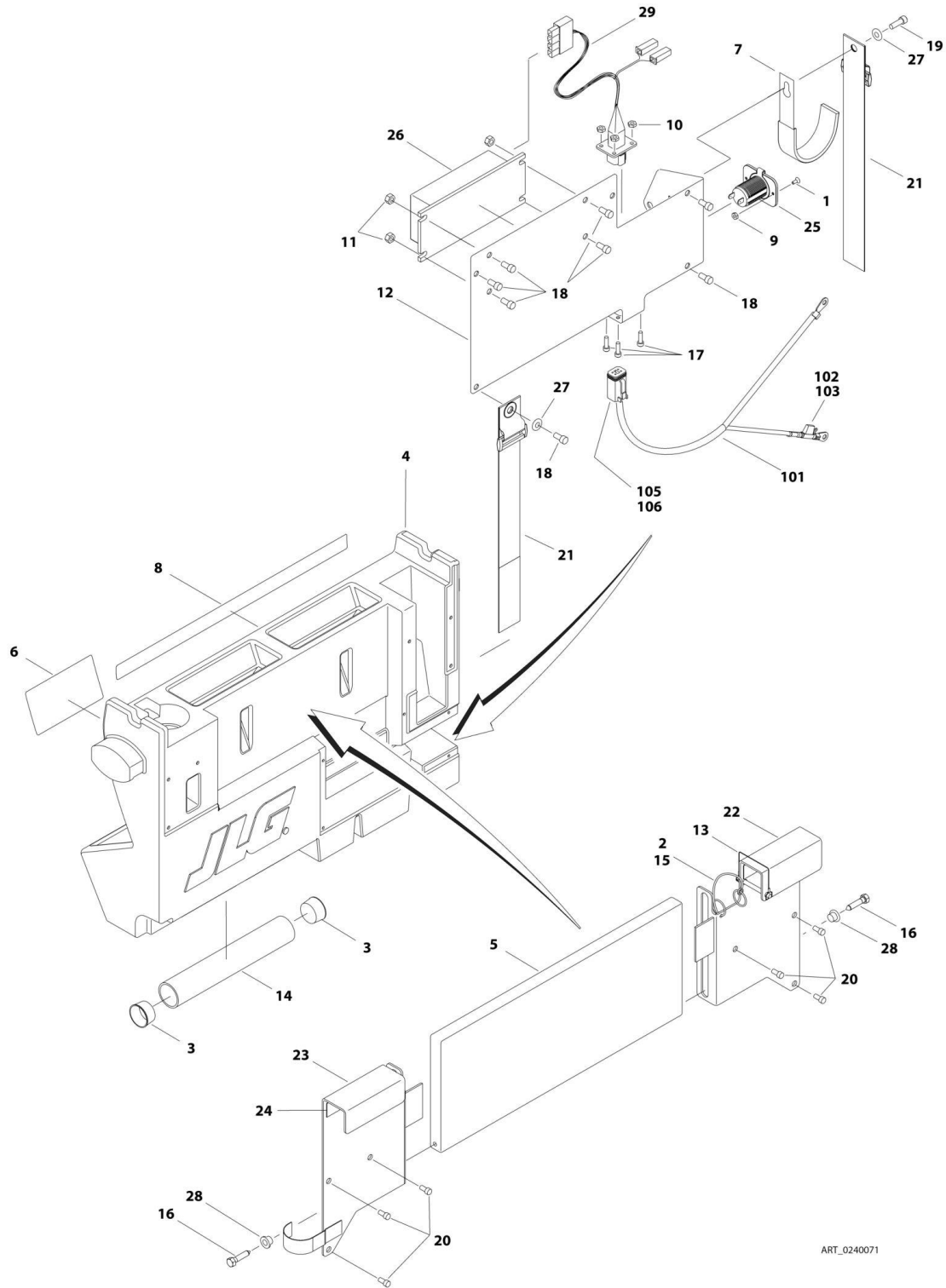
SECTION 4 - PLATFORM

FIGURE 4-24. WORKSTATION WITHOUT DC CONVERTER INSTALLATION - 2032ES/2632ES

ITEM	PART NUMBER	QTY	DESCRIPTION	REV
	0273965	Ref	WORKSTATION INSTALLATION – REFERENCE CHART	B
	0240087	Ref	WORKSTATION WITHOUT DC CONVERTER INSTALLATION	C
1	1060379	1	Cable, Lanyard	
2	1120555	2	Cap, Manual Storage	
3	1580023	1	Container	
4	1580024	1	Tray	
5	1705997	1	Decal - Workstation	
6	2700100	1	Hook, Hanger	
7	2902348	1	Decal - Workstation Kit	
8	3422219	1	Pin	
9	3460334	1	PVC Pipe	
10	3760170	2	Ring	
11	3900355	2	Screw 5/16-9 x 1-1/2	
12	3931412	2	Bolt 1/4-20 x 3/4	
13	3931508	6	Bolt 5/16-18 x 1/2	
14	4240003	2	Strap	
15	4340853	1	Mount, RH Channel	
16	4340854	1	Mount, LH Channel	
17	4420062	3 ft/ 0.9m	Tape	
18	4711400	2	Washer 1/4	
19	4740480	2	Insert, Plastic	

SECTION 4 - PLATFORM

FIGURE 4-25. WORKSTATION WITH DC CONVERTER INSTALLATION - 2032ES ONLY



ART_0240071

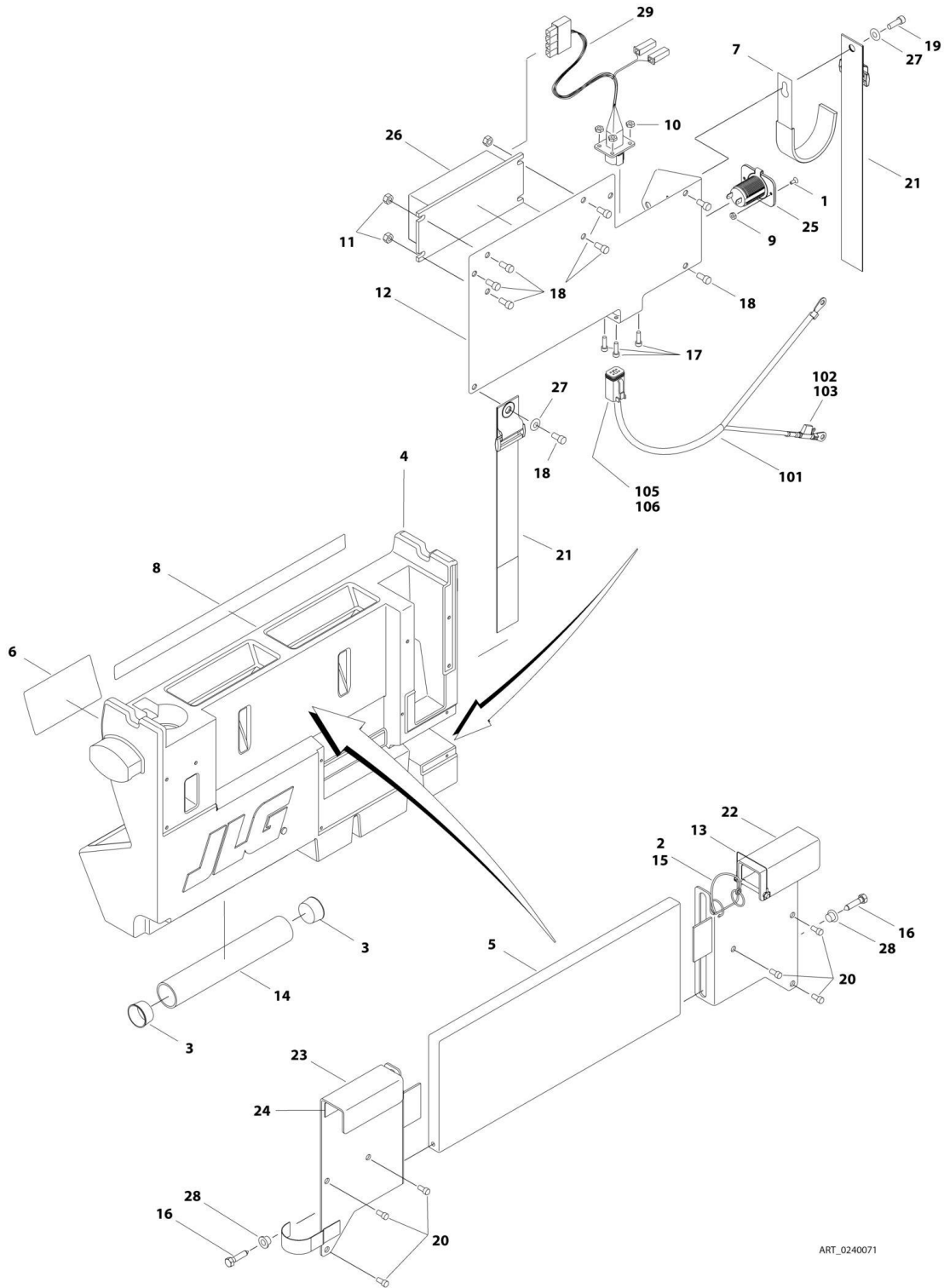
SECTION 4 - PLATFORM

FIGURE 4-25. WORKSTATION WITH DC CONVERTER INSTALLATION - 2032ES ONLY

ITEM	PART NUMBER	QTY	DESCRIPTION	REV
	0273955	Ref	WORKSTATION POWERED INSTALLATION – REFERENCE CHART	B
	0240071	Ref	WORKSTATION WITH DC CONVERTER INSTALLATION	D
1	0740603	2	Screw #6-32 x 3/4	
2	1060379	1	Cable, Lanyard	
3	1120555	2	Cap, Manual Storage	
4	1580023	1	Container	
5	1580024	1	Tray	
6	1705997	1	Decal - Workstation	
7	2700100	1	Hook, Hanger	
8	2902348	1	Decal – Workstation Kit	
9	3310601	2	Nut #6-32	
10	3311005	4	Nut #10-24	
11	3311405	4	Nut 1/4-20	
12	3380527	1	Panel, Converter/Receptacle	
13	3422219	1	Pin	
14	3460334	1	PVC Pipe	
15	3760170	2	Ring	
16	3900355	2	Screw 5/16-9 x 1-1/2	
17	3931010	4	Bolt #10-24 x 5/8	
18	3931408	9	Bolt 1/4-20 x 1/2	
19	3931412	1	Bolt 1/4-20 x 3/4	
20	3931508	6	Bolt 5/16-18 x 1/2	
21	4240003	2	Strap	
22	4340853	1	Mount, RH Channel	
23	4340854	1	Mount, LH Channel	
24	4420062	3 ft/0.9m	Tape	
25	4461012	1	Receptacle	
26	4530026	1	Transformer	
27	4711400	2	Washer 1/4	
28	4740480	2	Insert, Plastic	
29	4923121	1	Harness, Workstation Power (See ELECTRICAL SECTION for Breakdown)	
		Ref	WORKSTATION POWER CABLE INSTALLATIONS	
	4923114	Ref	2030ES	B
	4923115	1	2632ES	B
101	1060331	60 ft /18.3m	Cable, 16/4 (2030ES)	
101	1060331	70 ft /21.3m	Cable, 16/4 (2632ES)	
102	2400061	1	Fuse - 10 Amp	
103	2400066	1	Holder, Fuse	
105	4460465	1	Socket, Female	
106	4460884	1	Connector - 4 Position	

SECTION 4 - PLATFORM

FIGURE 4-26. WORKSTATION WITH DC CONVERTER INSTALLATION - 2632ES ONLY



ART_0240071

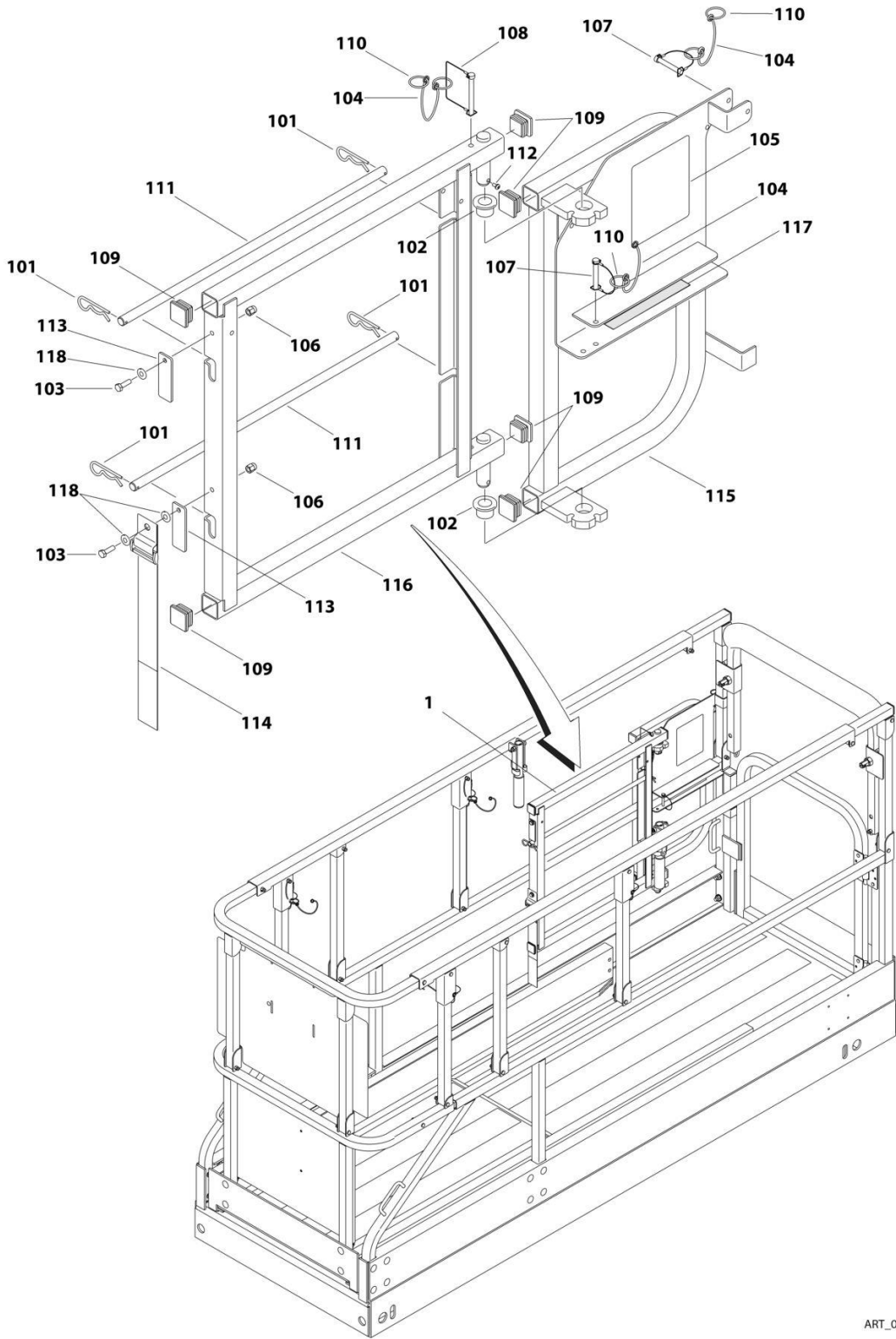
SECTION 4 - PLATFORM

FIGURE 4-26. WORKSTATION WITH DC CONVERTER INSTALLATION - 2632ES ONLY

ITEM	PART NUMBER	QTY	DESCRIPTION	REV
	0273956	Ref	WORKSTATION POWERED INSTALLATION - REFERENCE CHART	B
	0240071	Ref	WORKSTATION WITH DC CONVERTER INSTALLATION	D
1	0740603	2	Screw #6-32 x 3/4	
2	1060379	1	Cable, Lanyard	
3	1120555	2	Cap, Manual Storage	
4	1580023	1	Container	
5	1580024	1	Tray	
6	1705997	1	Decal - Workstation	
7	2700100	1	Hook, Hanger	
8	2902348	1	Decal - Workstation Kit	
9	3310601	2	Nut #6-32	
10	3311005	4	Nut #10-24	
11	3311405	4	Nut 1/4-20	
12	3380527	1	Panel, Converter/Receptacle	
13	3422219	1	Pin	
14	3460334	1	PVC Pipe	
15	3760170	2	Ring	
16	3900355	2	Screw 5/16-9 x 1-1/2	
17	3931010	4	Bolt #10-24 x 5/8	
18	3931408	9	Bolt 1/4-20 x 1/2	
19	3931412	1	Bolt 1/4-20 x 3/4	
20	3931508	6	Bolt 5/16-18 x 1/2	
21	4240003	2	Strap	
22	4340853	1	Mount, RH Channel	
23	4340854	1	Mount, LH Channel	
24	4420062	3 ft/0.9m	Tape	
25	4461012	1	Receptacle	
26	4530026	1	Transformer	
27	4711400	2	Washer 1/4	
28	4740480	2	Insert, Plastic	
29	4923121	1	Harness, Workstation Power (See ELECTRICAL SECTION for Breakdown)	
	4923115	1	WORKSTATION POWER CABLE INSTALLATIONS	B
101	1060331	70 ft/ 21.3m	Cable, 16/4	
102	2400061	1	Fuse - 10 Amp	
103	2400066	1	Holder, Fuse	
105	4460465	1	Socket, Female	
106	4460884	1	Connector - 4 Position	

SECTION 4 - PLATFORM

FIGURE 4-27. ELECTRICIAN'S TREE INSTALLATION



ART_0274153

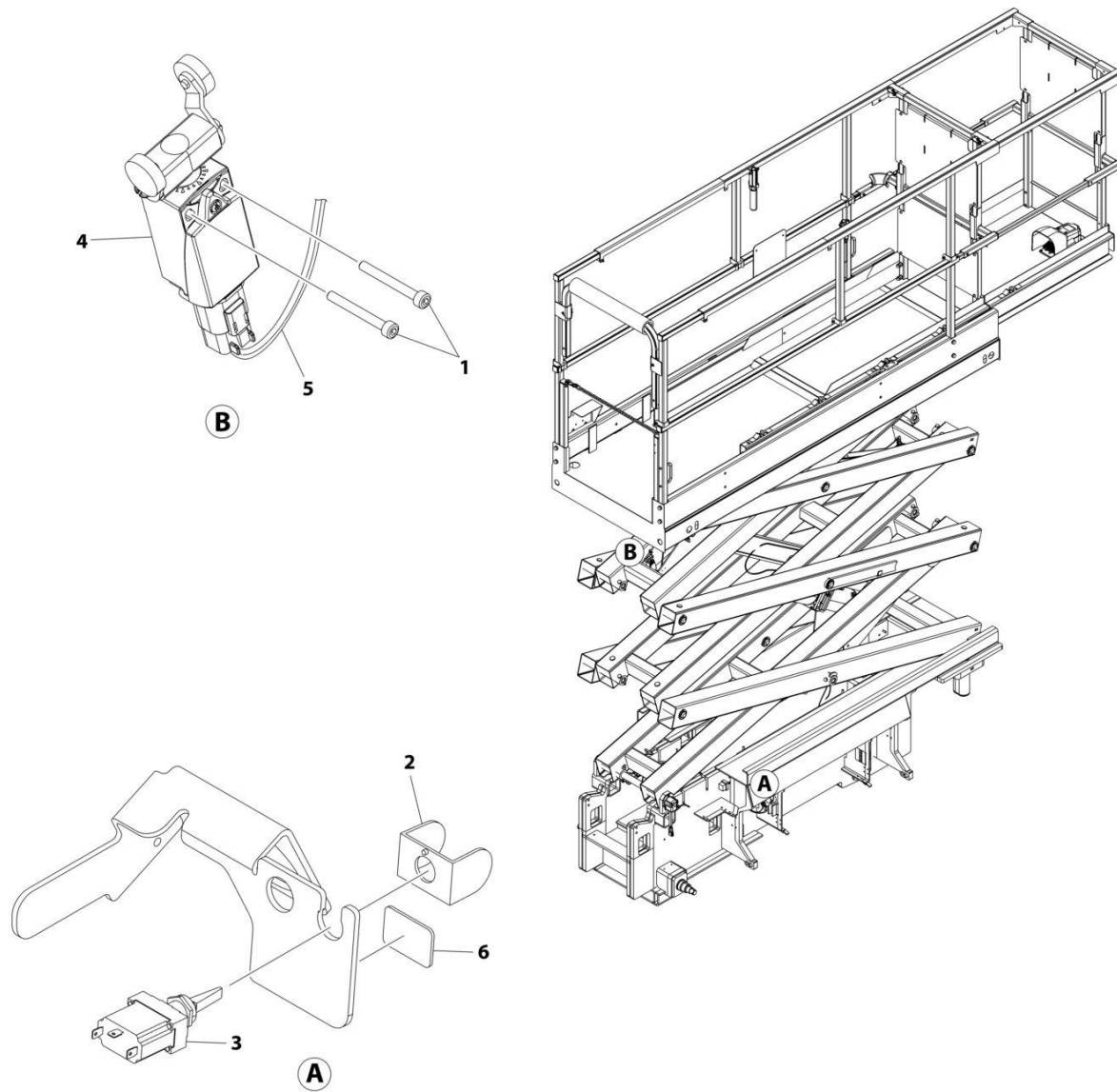
SECTION 4 - PLATFORM

FIGURE 4-27. ELECTRICIAN'S TREE INSTALLATION

ITEM	PART NUMBER	QTY	DESCRIPTION	REV
	0274153	Ref	ELECTRICIAN'S TREE INSTALLATION	B
1	0240102	NLA	Electrician's Tree (Use p/n 1001234783) (See Items 101-118 for Breakdown)	
	0240102	Ref	ELECTRICIAN'S TREE	C
101	80325	4	Hairpin, Cotter	
102	0440223	2	Bushing	
103	0700610	3	Bolt M6 x 20	
104	1060379	3	Cable, Lanyard	
105	2902386	1	Decal – Electrician's Tree Kit	
106	3290606	3	Nut M6	
107	3421453	2	Pin	
108	3422219	1	Pin	
109	3520072	6	Plug	
110	3760170	5	Ring	
111	3841675	2	Rod, Spool	
112	4191706	1	Screw M6 x 12	
113	4220227	2	Stop, Spool Rod	
114	4240003	1	Strap	
115	4340946	1	Mount, Base Pivot	
116	4340947	1	Mount, Spool Rack	
117	4420062	AR	Tape, UHMW	
118	4711400	3	Washer 1/4	
200	1001234783	1	Electrician's Tree Kit (Not Shown - Includes Items 101-108)	

SECTION 4 - PLATFORM

FIGURE 4-28. LOW HEIGHT DRIVE CUTOUT - 2032ES (JAPANESE SPECS ONLY)



ART_1001230754

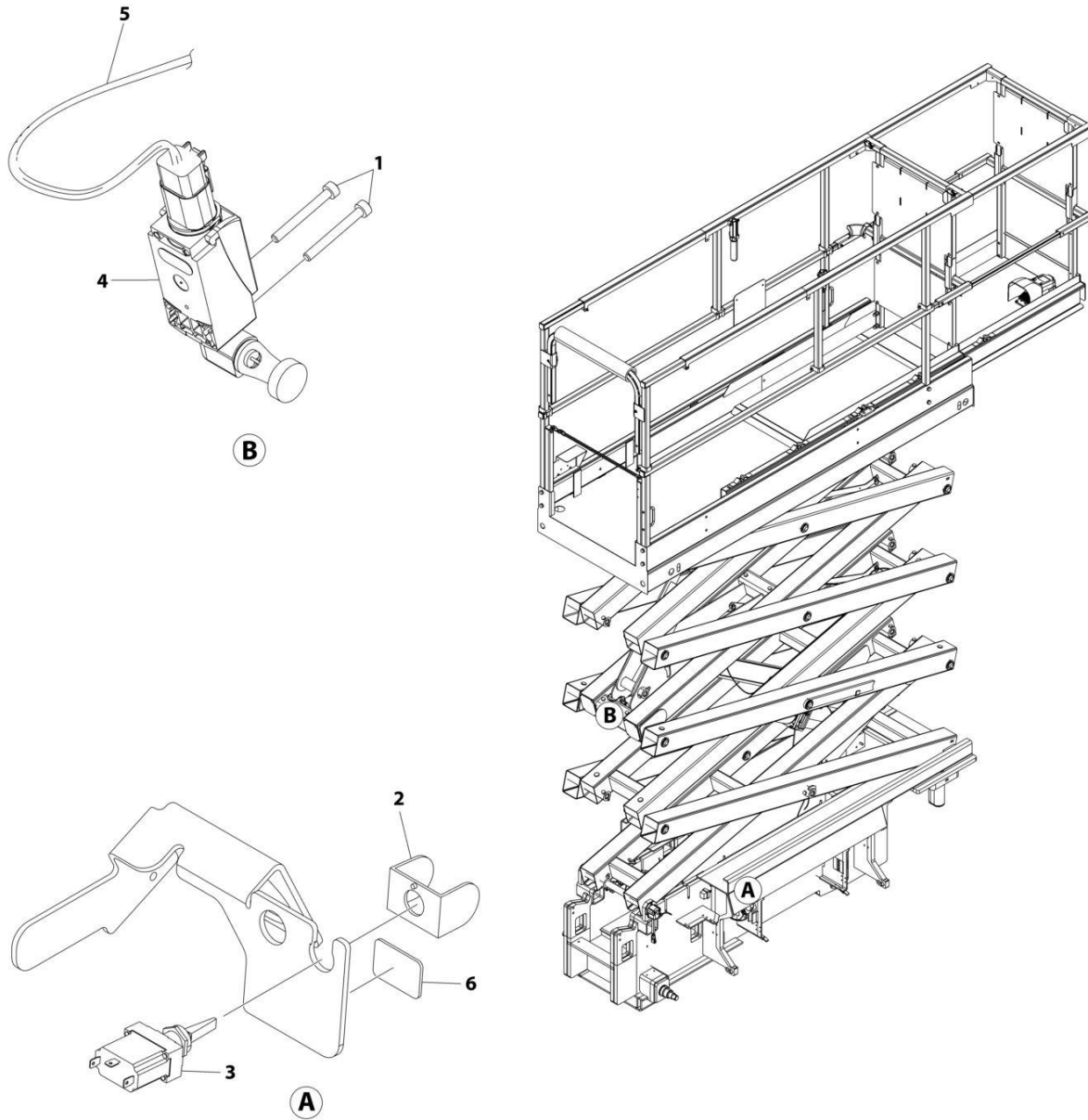
SECTION 4 - PLATFORM

FIGURE 4-28. LOW HEIGHT DRIVE CUTOUT - 2032ES (JAPANESE SPECS ONLY)

ITEM	PART NUMBER	QTY	DESCRIPTION	REV
	1001230754	Ref	LOW HEIGHT DRIVE CUTOUT - 2032ES (JAPANESE SPECS ONLY)	A
1	4031511	2	Capscrew M4 x 35	
2	4060906	1	Guard, Switch	
3	4360345	1	Switch	
4	1001130614	1	Switch, Limit	
5	1001214384	1	Harness, Low Height	
5	4460884	3	Connector - 4 Position	
5	4460465	6	Socket, Female	
5	4460466	6	Seal	
5	4460932	2	Connector - 4 Position	
5	4460464	3	Pin, Male	
5	4460466	5	Seal	
5	4460418	1	Connector - 6 Position	
5	4460419	3	Terminal	
6	1001214409	1	Decal - Low Drive Cutout	

SECTION 4 - PLATFORM

FIGURE 4-29. LOW HEIGHT DRIVE CUTOUT - 2632ES (JAPANESE SPECS ONLY)



ART_1001230755

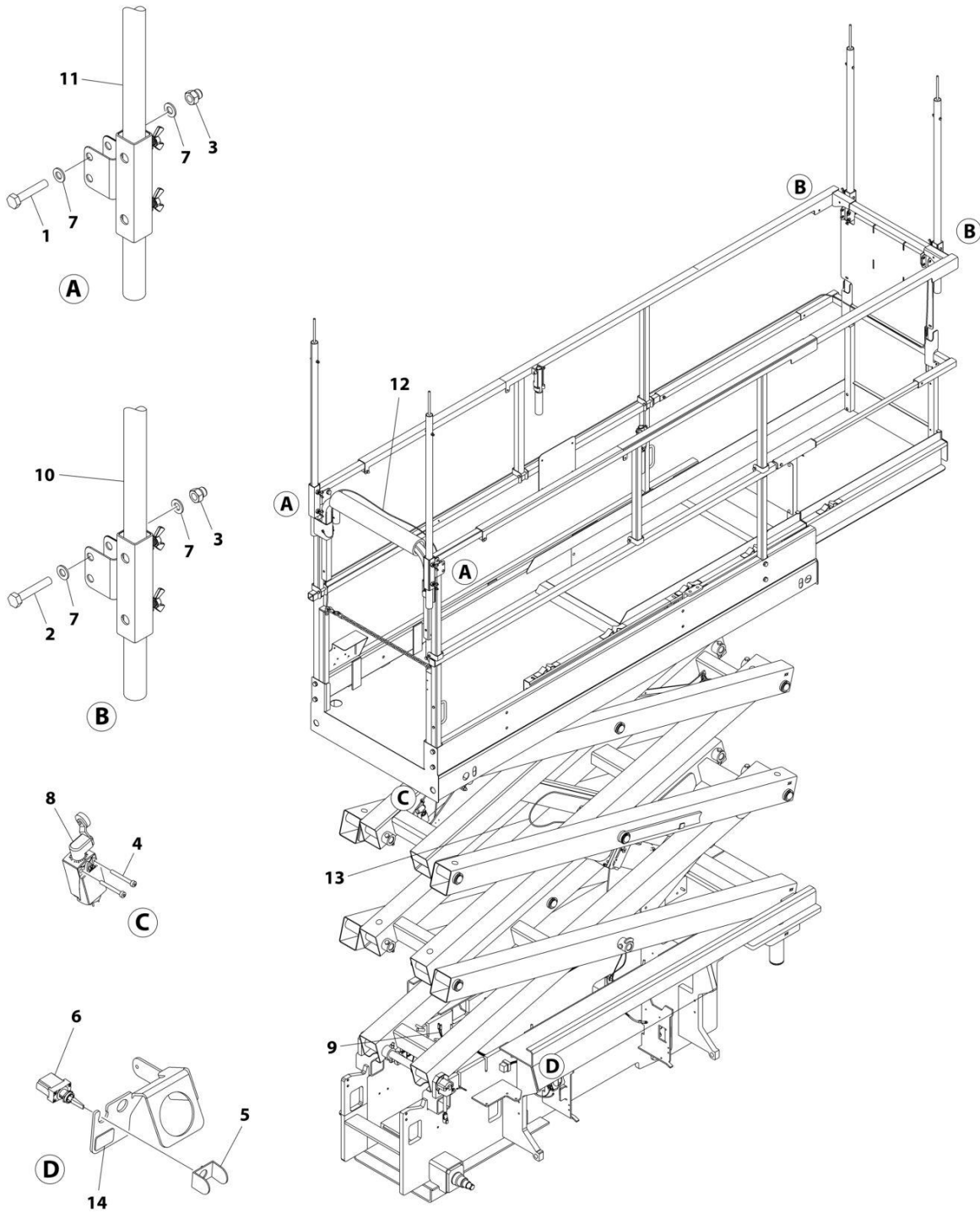
SECTION 4 - PLATFORM

FIGURE 4-29. LOW HEIGHT DRIVE CUTOUT - 2632ES (JAPANESE SPECS ONLY)

ITEM	PART NUMBER	QTY	DESCRIPTION	REV
	1001230755	Ref	LOW HEIGHT DRIVE CUTOUT - 2632ES (JAPANESE SPECS ONLY)	A
1	4031511	2	Capscrew M4 x 35	
2	4060906	1	Guard, Switch	
3	4360345	1	Switch	
4	1001130614	1	Switch, Limit	
5	1001214338	1	Harness, Low Height	
5	4460884	3	Connector - 4 Position	
5	4460465	6	Socket, Female	
5	4460466	6	Seal	
5	4460932	2	Connector - 4 Position	
5	4460464	3	Pin, Male	
5	4460466	5	Seal	
5	4460418	1	Connector - 6 Position	
5	4460419	3	Terminal	
5	1001214341	1	Cable, Overhead Switches	
5	4460891	4	Connector - 2 Position	
5	4460465	8	Socket, Female	
6	1001214409	1	Decal - Low Drive Cutout	

SECTION 4 - PLATFORM

FIGURE 4-30. OVERHEAD PROTECTION AND LOW HEIGHT DRIVE CUTOUT - 2032ES (KOREAN SPECS ONLY)



ART_1001214383

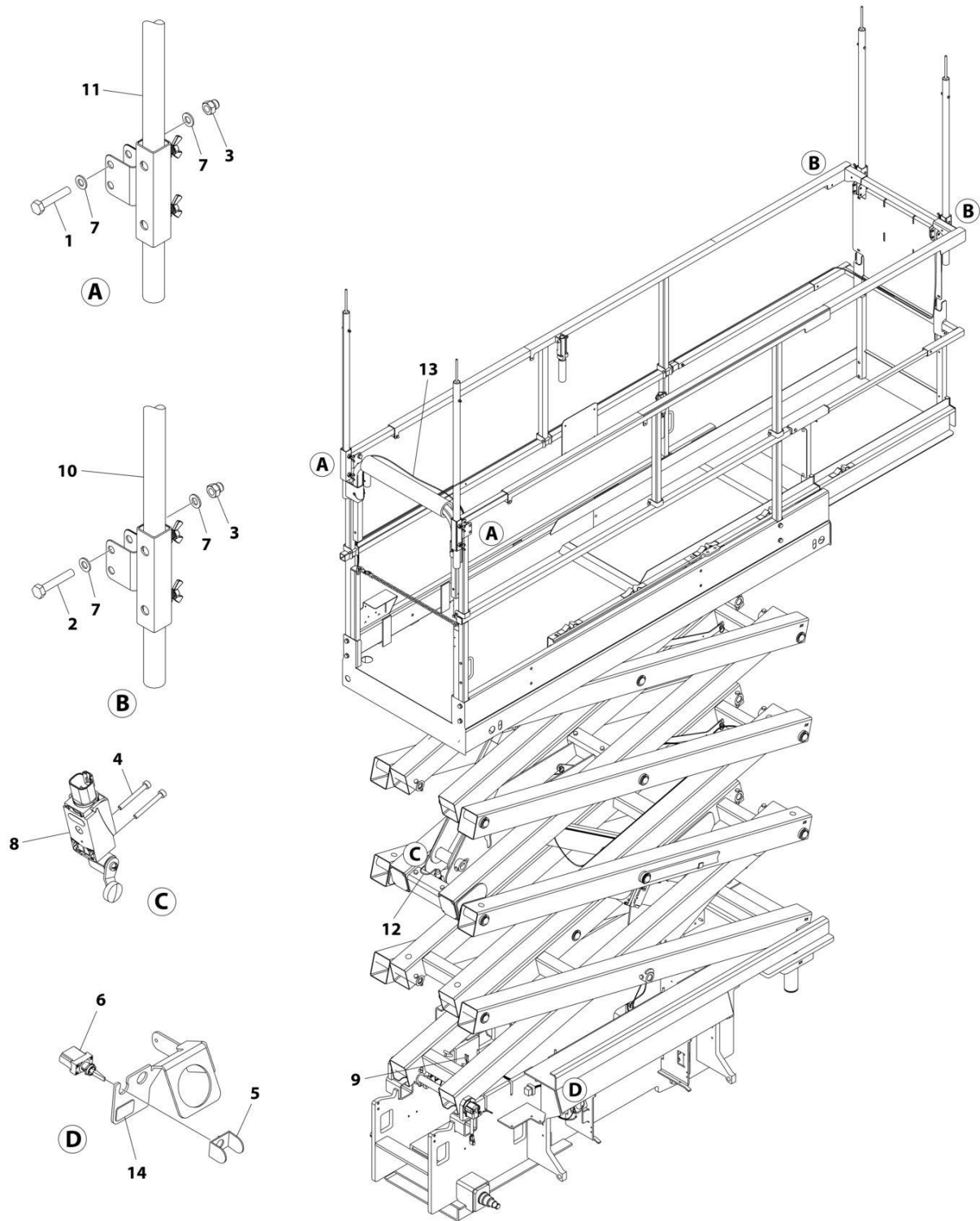
SECTION 4 - PLATFORM

FIGURE 4-30. OVERHEAD PROTECTION AND LOW HEIGHT DRIVE CUTOUT - 2032ES (KOREAN SPECS ONLY)

ITEM	PART NUMBER	QTY	DESCRIPTION	REV
	1001214383	Ref	OVERHEAD PROTECTION AND LOW HEIGHT DRIVE CUTOUT - 2032ES (KOREAN SPECS ONLY)	B
1	0701019	4	Bolt M10 x 55	
2	0701020	4	Bolt M10 x 60	
2	0701019	4	Bolt M10 x 55	
3	3291006	8	Nut M10	
4	4031511	2	Capscrew M4 x 35	
5	4060906	1	Guard, Switch	
6	4360345	1	Switch	
7	4812000	16	Washer #10	
8	1001130614	1	Switch, Limit	
9	1001213660	1	Harness, Overhead	
9	4460424	1	Connector, Female - 2 Position	
9	4460227	1	Pin, Male	
9	4460320	1	Plug, Male - 2 Position	
9	4460226	1	Socket, Female	
10	1001213818	2	Overhead Switch Kit (Front) (See OVERHEAD SWITCH KIT (FRONT) for Breakdown) (SN B200000100 through B2000475121)	
10	1001214311	2	Overhead Switch Kit (Front/Rear) (See OVERHEAD SWITCH KIT (FRONT/REAR) for Breakdown) (SN B200047512 to Present)	
11	1001213858	1	Overhead Switch Kit (Rear) (See OVERHEAD SWITCH KIT (REAR) for Breakdown) (SN B200000100 through B200047511)	
11	1001214311	2	Overhead Switch Kit (Front/Rear) (See OVERHEAD SWITCH KIT (FRONT/REAR) for Breakdown) (SN B200047512 to Present)	
12	1001214341	1	Cable, Overhead Switches	
12	4460891	4	Connector - 2 Position	
12	4460465	8	Socket, Female	
13	1001214384	1	Harness, Low Height	
13	4460884	3	Connector - 4 Position	
13	4460465	6	Socket, Female	
13	4460466	6	Seal	
13	4460932	2	Connector - 4 Position	
13	4460464	3	Pin, Male	
13	4460466	5	Seal	
13	4460418	1	Connector - 6 Position	
13	4460419	3	Terminal	
14	1001214409	1	Decal - Low Drive Cutout	

SECTION 4 - PLATFORM

FIGURE 4-31. OVERHEAD PROTECTION AND LOW HEIGHT DRIVE CUTOUT - 2632ES (KOREAN SPECS ONLY)



ART_1001214120

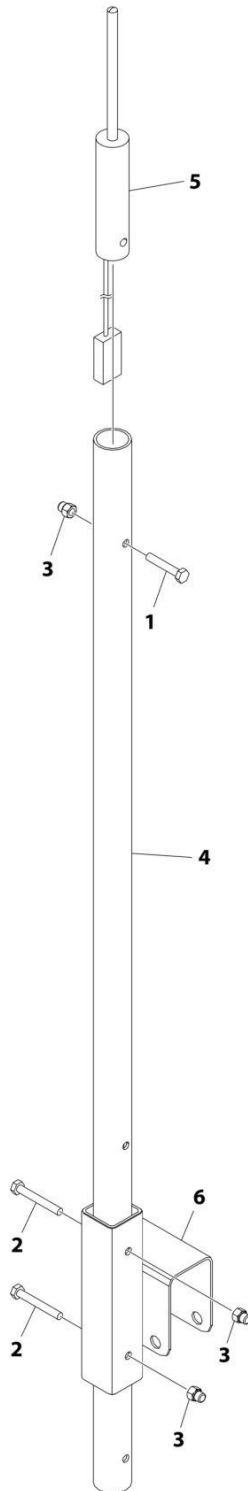
SECTION 4 - PLATFORM

FIGURE 4-31. OVERHEAD PROTECTION AND LOW HEIGHT DRIVE CUTOUT - 2632ES (KOREAN SPECS ONLY)

ITEM	PART NUMBER	QTY	DESCRIPTION	REV
	1001214120	Ref	OVERHEAD PROTECTION AND LOW HEIGHT DRIVE CUTOUT - 2632ES (KOREAN SPECS ONLY)	B
1	0701019	4	Bolt M10 x 55	
2	0701020	4	Bolt M10 x 60	
2	0701019	4	Bolt M10 x 55	
3	3291006	8	Nut M10	
4	4031511	2	Capscrew M4 x 35	
5	4060906	1	Guard, Switch	
6	4360345	1	Switch	
7	4812000	16	Washer #10	
8	1001130614	1	Switch, Limit	
9	1001213660	1	Harness, Overhead	
9	4460424	1	Connector, Female - 2 Position	
9	4460227	1	Pin, Male	
9	4460320	1	Plug, Male - 2 Position	
9	4460226	1	Socket, Female	
10	1001213818	2	Overhead Switch Kit (Front) (See OVERHEAD SWITCH KIT (FRONT) for Breakdown) (SN B200000100 through B200046826)	
10	1001214311	2	Overhead Switch Kit (Front/Rear) (See OVERHEAD SWITCH KIT (FRONT/REAR) for Breakdown) (SN B200046827 to Present)	
11	1001213858	1	Overhead Switch Kit (Rear) (See OVERHEAD SWITCH KIT (REAR) for Breakdown) (SN B200000100 through B200046826)	
11	1001214311	2	Overhead Switch Kit (Front/Rear) (See OVERHEAD SWITCH KIT (FRONT/REAR) for Breakdown) (SN B200046827 to Present)	
12	1001214338	1	Harness, Low Height	
12	4460884	3	Connector - 4 Position	
12	4460465	6	Socket, Female	
12	4460466	6	Seal	
12	4460932	2	Connector - 4 Position	
12	4460464	3	Pin, Male	
12	4460466	5	Seal	
12	4460418	1	Connector - 6 Position	
12	4460419	3	Terminal	
13	1001214341	1	Cable, Overhead Switches	
13	4460891	4	Connector - 2 Position	
13	4460465	8	Socket, Female	
14	1001214409	1	Decal - Low Drive Cutout	

SECTION 4 - PLATFORM

FIGURE 4-32. OVERHEAD SWITCH KIT (FRONT) (SN M200000100 through B200046826)



ART_1001213818

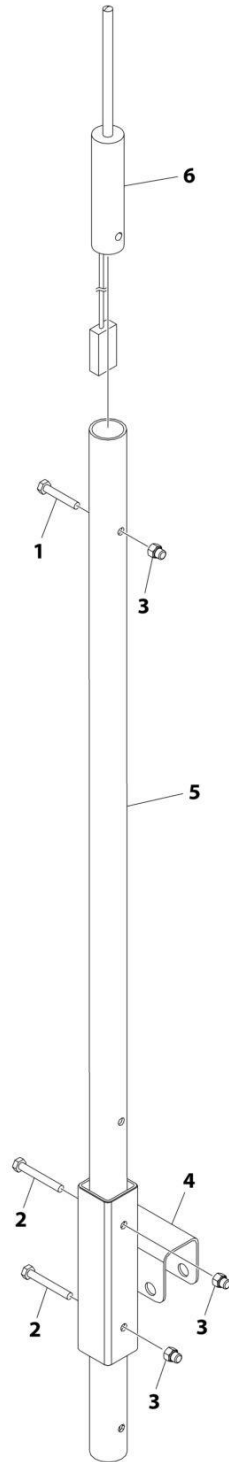
SECTION 4 - PLATFORM

FIGURE 4-32. OVERHEAD SWITCH KIT (FRONT) (SN M200000100 through B200046826)

ITEM	PART NUMBER	QTY	DESCRIPTION	REV
	1001213818	Ref	OVERHEAD SWITCH KIT (FRONT)	A
1	0700615	1	Bolt M6 x 35	
2	0710617	2	Bolt M6 x 45	
3	3290606	3	Nut M6	
4	1001213821	1	Tube	
5	1001213822	1	Switch	
5	7028909	1	Connector - 2 Position	
5	77363228	2	Terminal	
6	1001213857	1	Bracket	

SECTION 4 - PLATFORM

FIGURE 4-33. OVERHEAD SWITCH KIT (REAR) (SN M200000100 through B200046826)



ART_1001213858

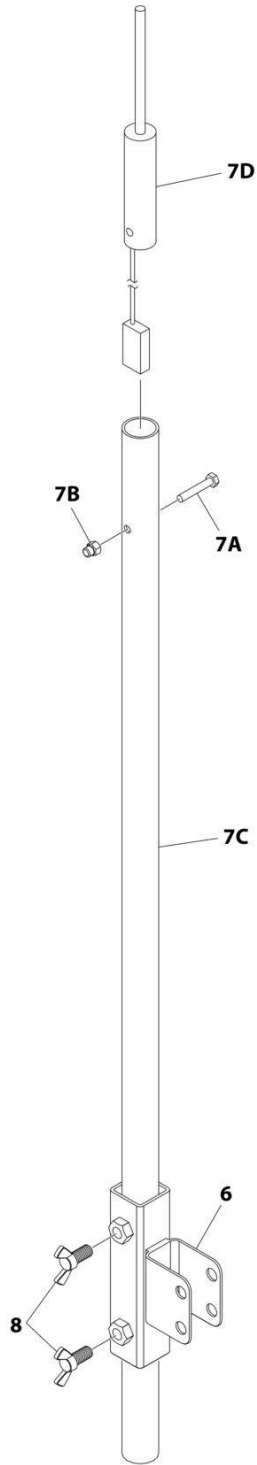
SECTION 4 - PLATFORM

FIGURE 4-33. OVERHEAD SWITCH KIT (REAR) (SN M200000100 through B200046826)

ITEM	PART NUMBER	QTY	DESCRIPTION	REV
	1001213858	Ref	OVERHEAD SWITCH KIT (REAR)	A
1	0700615	1	Bolt M6 x 35	
2	0710617	2	Bolt M6 x 45	
3	3290606	3	Nut M6	
4	1001213820	1	Bracket	
5	1001213821	1	Tube	
6	1001213822	1	Switch	
6	7028909	1	Connector - 2 Position	
6	77363228	2	Terminal	

SECTION 4 - PLATFORM

FIGURE 4-34. OVERHEAD SWITCH KIT (FRONT/REAR) (SN B200046827 to Present)



ART_1001214311

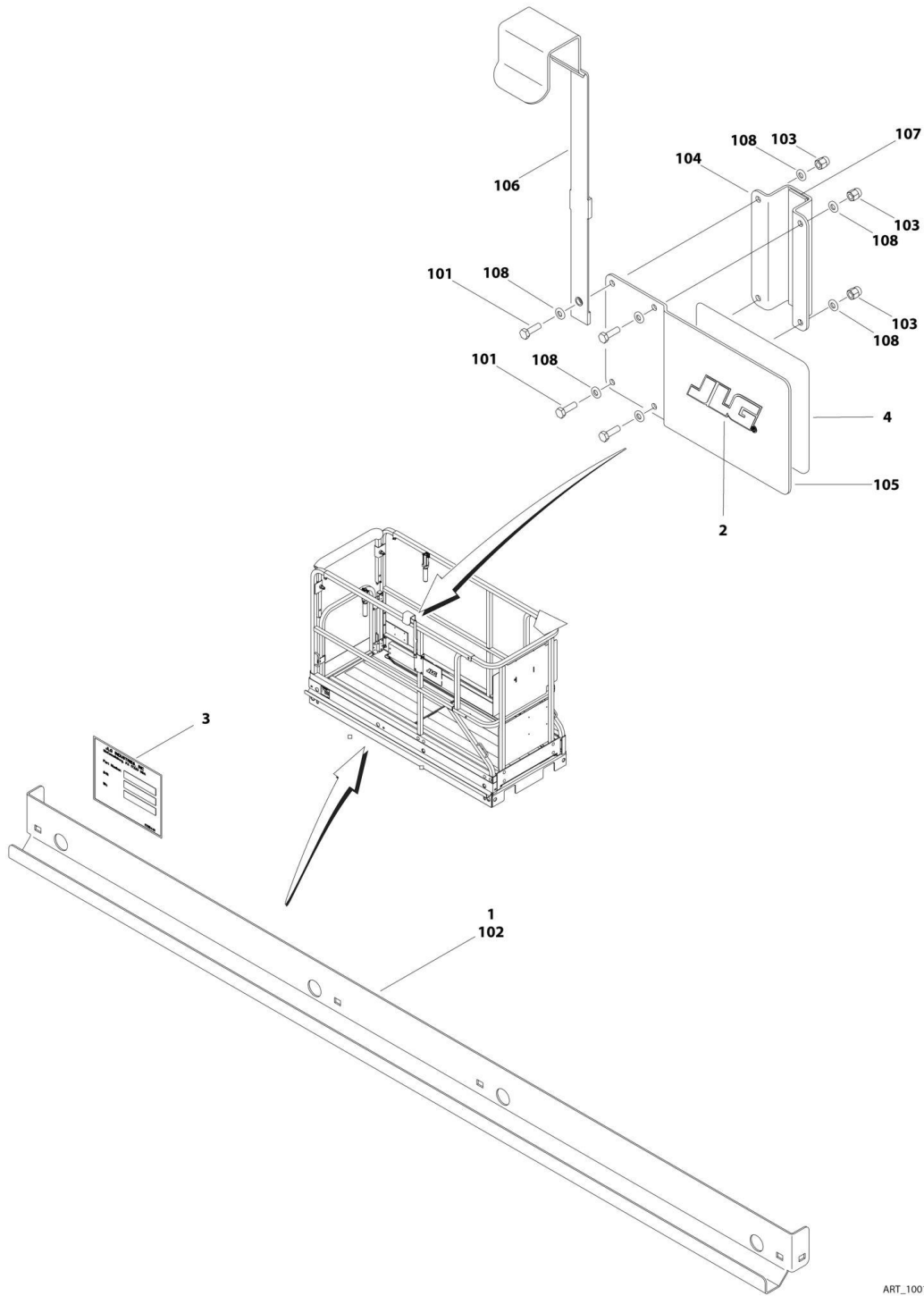
SECTION 4 - PLATFORM

FIGURE 4-34. OVERHEAD SWITCH KIT (FRONT/REAR) (SN B200046827 to Present)

ITEM	PART NUMBER	QTY	DESCRIPTION	REV
	1001214311	Ref	OVERHEAD SWITCH KIT (FRONT/REAR)	C
6	1001214310	1	Bracket	
7	1001217666	1	Switch Kit (Includes Items 7A-7D)	
7A	0700615	1	Bolt M6 x 35	
7B	3290606	1	Nut M6	
7C	1001213821	1	Tube	
7D	1001213822	1	Switch	
7D	7028909	1	Connector - 2 Position	
7D	77363228	2	Terminal	
8	1001222914	2	Screw, Thumb	

SECTION 4 - PLATFORM

FIGURE 4-35. PANEL INSTALLATION (ANSI, ANSI EXPORT, CHINESE, CSA AND KOREA SPECS)



ART_1001178163

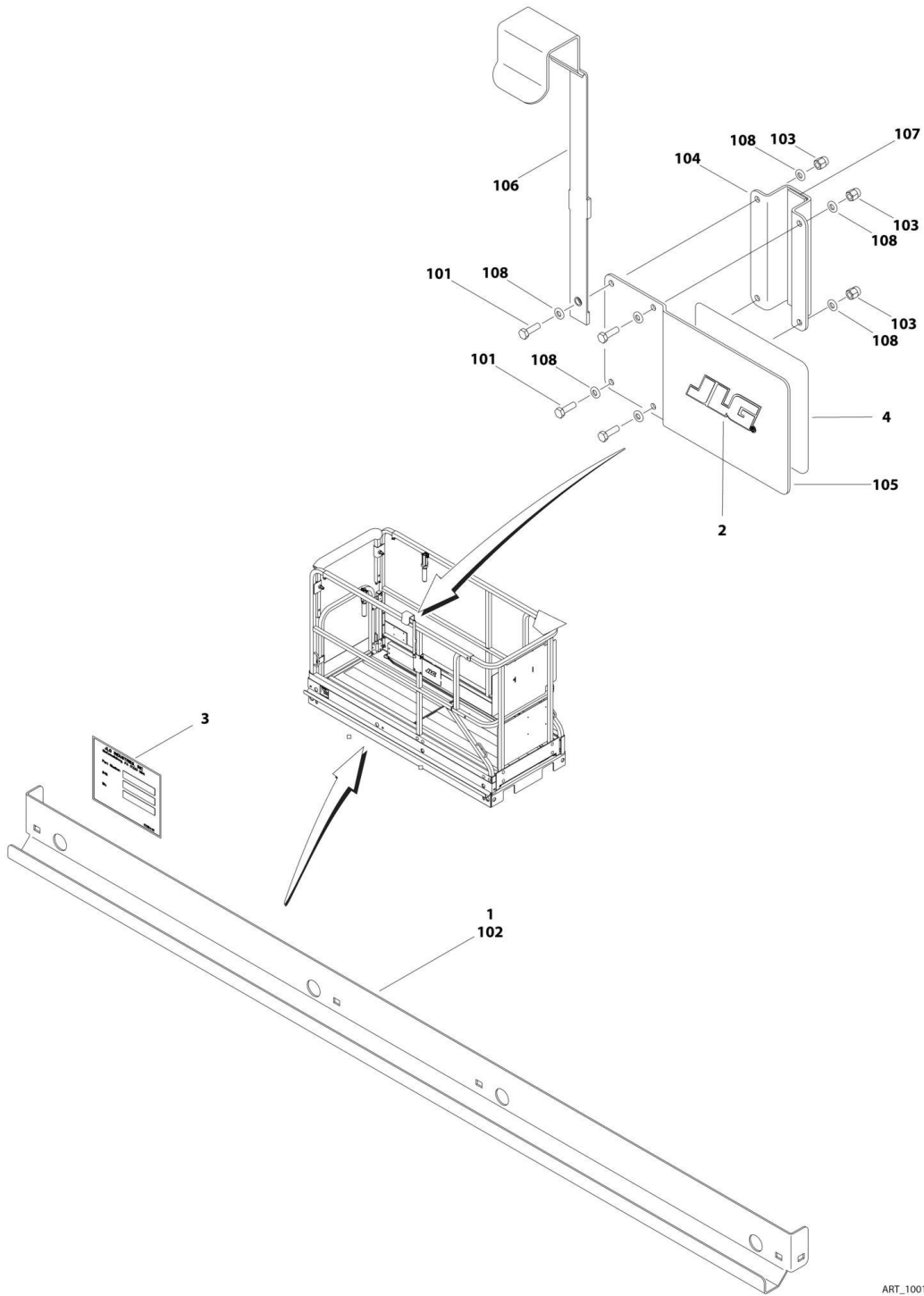
SECTION 4 - PLATFORM

FIGURE 4-35. PANEL INSTALLATION (ANSI, ANSI EXPORT, CHINESE, CSA AND KOREA SPECS)

ITEM	PART NUMBER	QTY	DESCRIPTION	REV
	1001178163	Ref	PANEL INSTALLATION (ANSI, ANSI EXPORT, CHINESE, CSA AND KOREA SPECS)	C
1	0240144	1	Attach, Panel Carrier (See Item 101-108 for Breakdown)	
2	1702010	1	Decal - JLG	
3	See Note	NSS	Nameplate (Note: Not Available for Purchase)	
4	1001182848	1	Decal - Capacity	
	0240144	Ref	PANEL CARRIER ATTACHMENT	C
101	0760610	4	Bolt M6 x 20	
102	1271631	1	Channel	
103	3290606	4	Nut M6	
104	3574505	1	Plate, Bracket	
105	3574506	1	Plate, Billboard	
106	4240165	1	Strap, Tie Down	
107	4420037	6	Tape, Insulation	
		in/15.2cm		
108	4811700	8	Washer M6	

SECTION 4 - PLATFORM

FIGURE 4-36. PANEL INSTALLATION (AUSTRALIAN, CE AND JAPANESE SPECS)



ART_1001176755

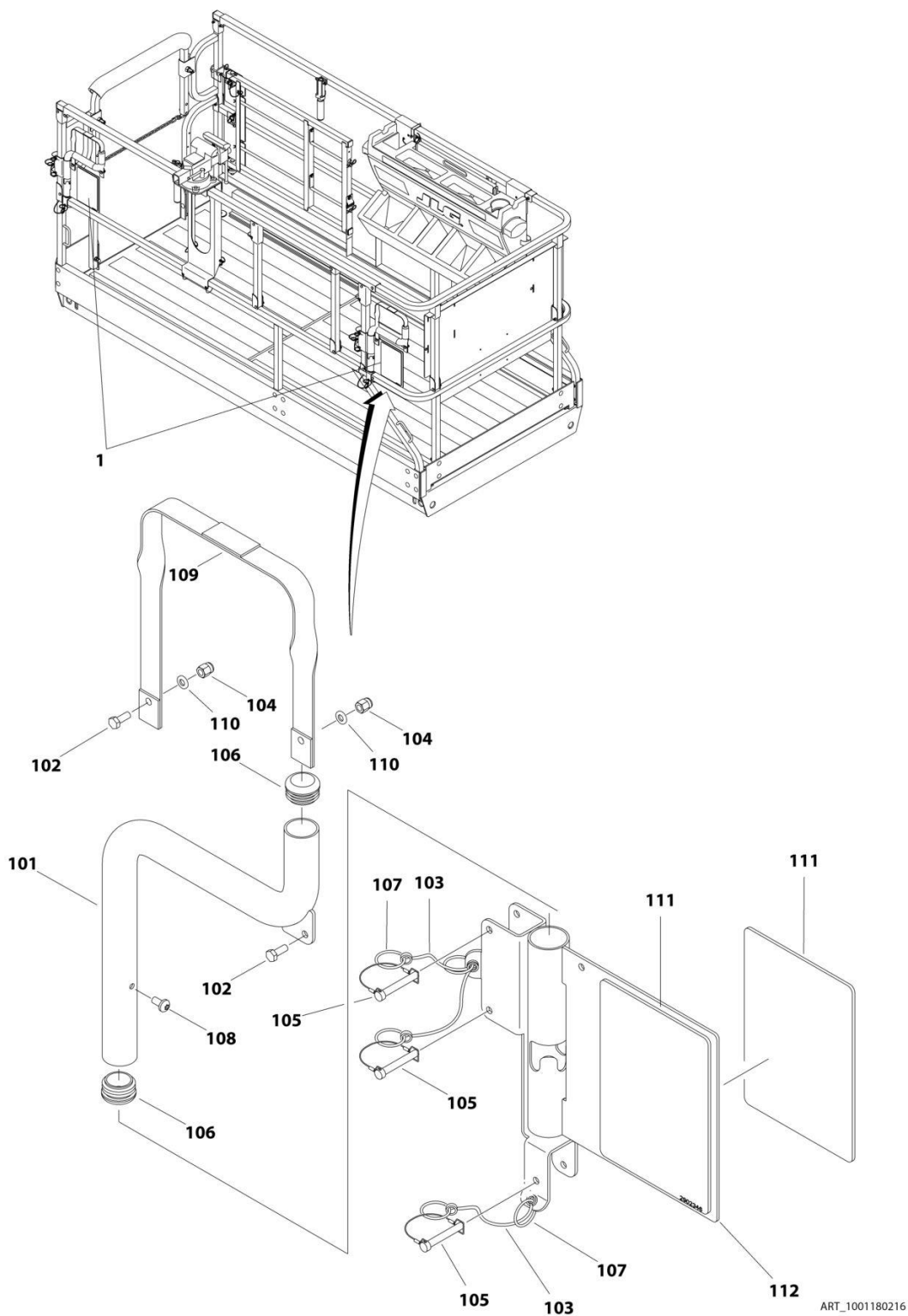
SECTION 4 - PLATFORM

FIGURE 4-36. PANEL INSTALLATION (AUSTRALIAN, CE AND JAPANESES SPECS)

ITEM	PART NUMBER	QTY	DESCRIPTION	REV
	1001176755	Ref	PANEL INSTALLATION (AUSTRALIAN, CE AND JAPANESES SPECS)	C
1	0240144	1	Attach, Panel Carrier (See Item 101-108 for Breakdown)	
2	1702010	1	Decal - JLG	
3	See Note	NSS	Nameplate (Note: Not Available for Purchase)	
4	1001182849	1	Decal - Capacity	
	0240144	Ref	PANEL CARRIER ATTACHMENT	C
101	0760610	4	Bolt M6 x 20	
102	1271631	1	Channel	
103	3290606	4	Nut M6	
104	3574505	1	Plate, Bracket	
105	3574506	1	Plate, Billboard	
106	4240165	1	Strap, Tie Down	
107	4420037	6	Tape, Insulation	
		in/15.2cm		
108	4811700	8	Washer M6	

SECTION 4 - PLATFORM

FIGURE 4-37. PIPE RACKS INSTALLATION (FACTORY INSTALLED)



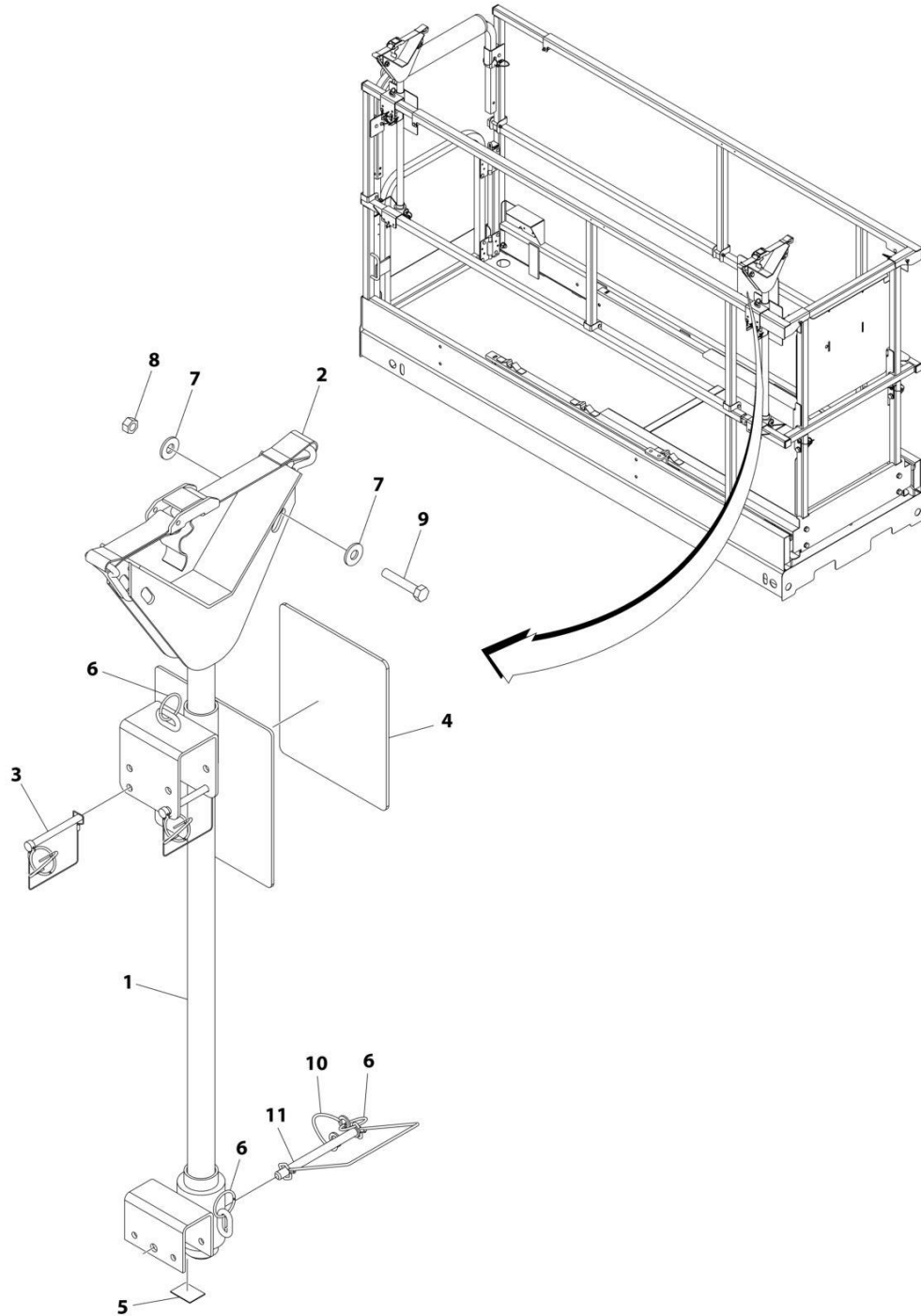
SECTION 4 - PLATFORM

FIGURE 4-37. PIPE RACKS INSTALLATION (FACTORY INSTALLED)

ITEM	PART NUMBER	QTY	DESCRIPTION	REV
1	1001180216	Ref	PIPE RACKS INSTALLATION (FACTORY INSTALLED)	B
	1001180197	2	Pipe Racks Assembly (See Items 101-112 for Breakdown)	
	1001180197	Ref	PIPE RACKS ASSEMBLY	D
101	0240054	1	Pipe Rack Tube	
102	0700608	2	Bolt M6 x 16	
103	1060379	3	Cable, Lanyard	
104	3290606	2	Nut M6	
105	3421453	3	Pin	
106	3520176	2	Plug	
107	3760170	5	Ring	
108	4191706	1	Screw M6 x 12	
109	4240164	1	Strap	
110	4811700	4	Washer M6	
111	1001182847	2	Decal - Capacity Pipe Rack Kit	
112	1001180205	1	Pipe Rack	

SECTION 4 - PLATFORM

FIGURE 4-38. PIPE RACK INSTALLATION (FACTORY INSTALLED)



ART_1001229469

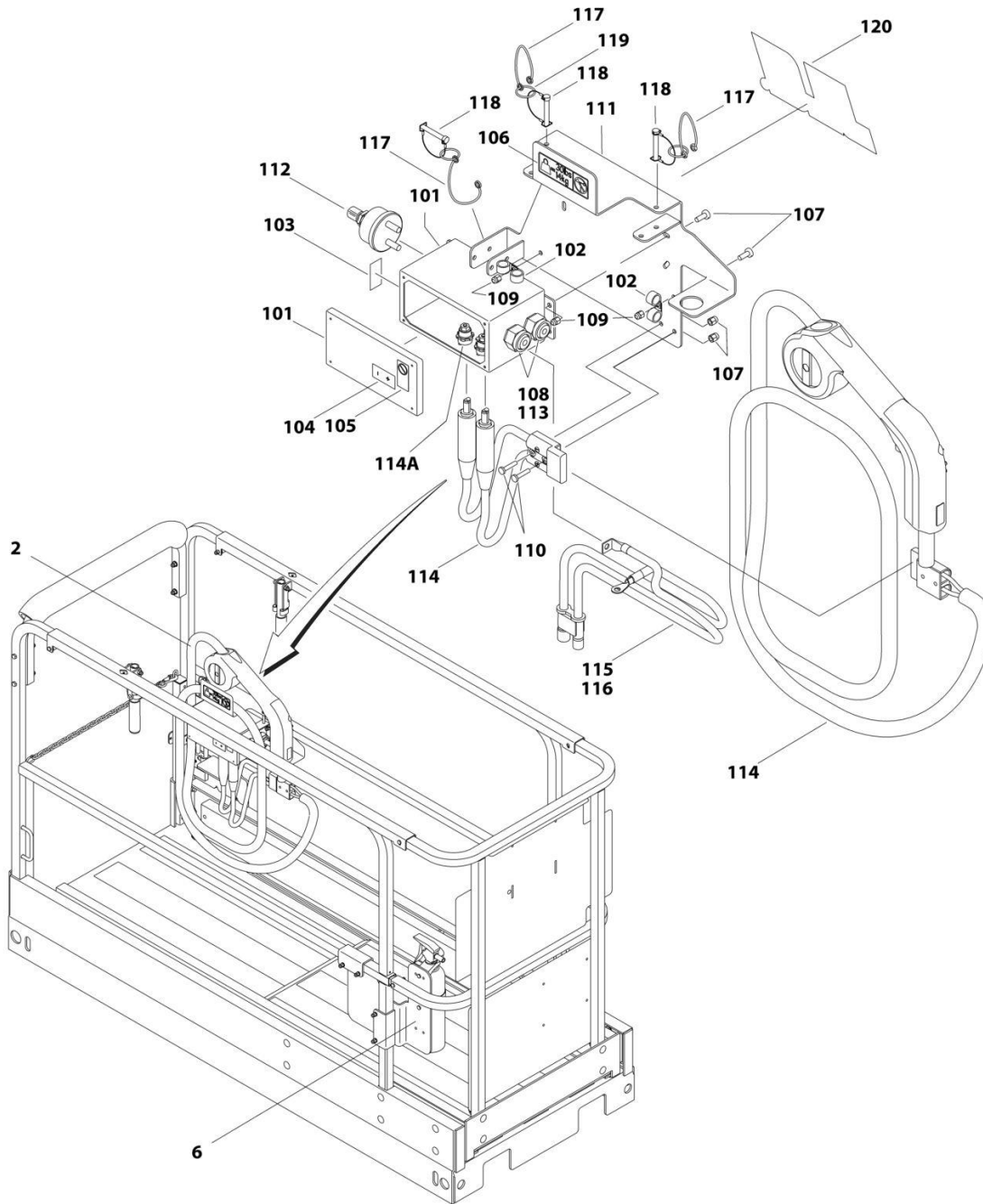
SECTION 4 - PLATFORM

FIGURE 4-38. PIPE RACK INSTALLATION(FACTORY INSTALLED)

ITEM	PART NUMBER	QTY	DESCRIPTION	REV
	1001229469	Ref	PIPE RACK INSTALLATION	A
1	1001199189	2	Rack, Pipe	
2	0480100	2	Tie-Down	
3	1001187587	4	Pin, Lanyard	
4	1001229441	2	Decal - Capacity	
5	4420062	AR	Tape	
6	3760170	6	Ring	
7	4751500	8	Washer 5/16	
8	3311505	4	Nut 5/16	
9	0641514	4	Bolt 5/16 x 1-3/4	
10	1060379	2	Lanyard	
11	3421854	2	Pin	

SECTION 4 - PLATFORM

FIGURE 4-39. QUIK WELDER INSTALLATION (2032ES)



ART_0272880

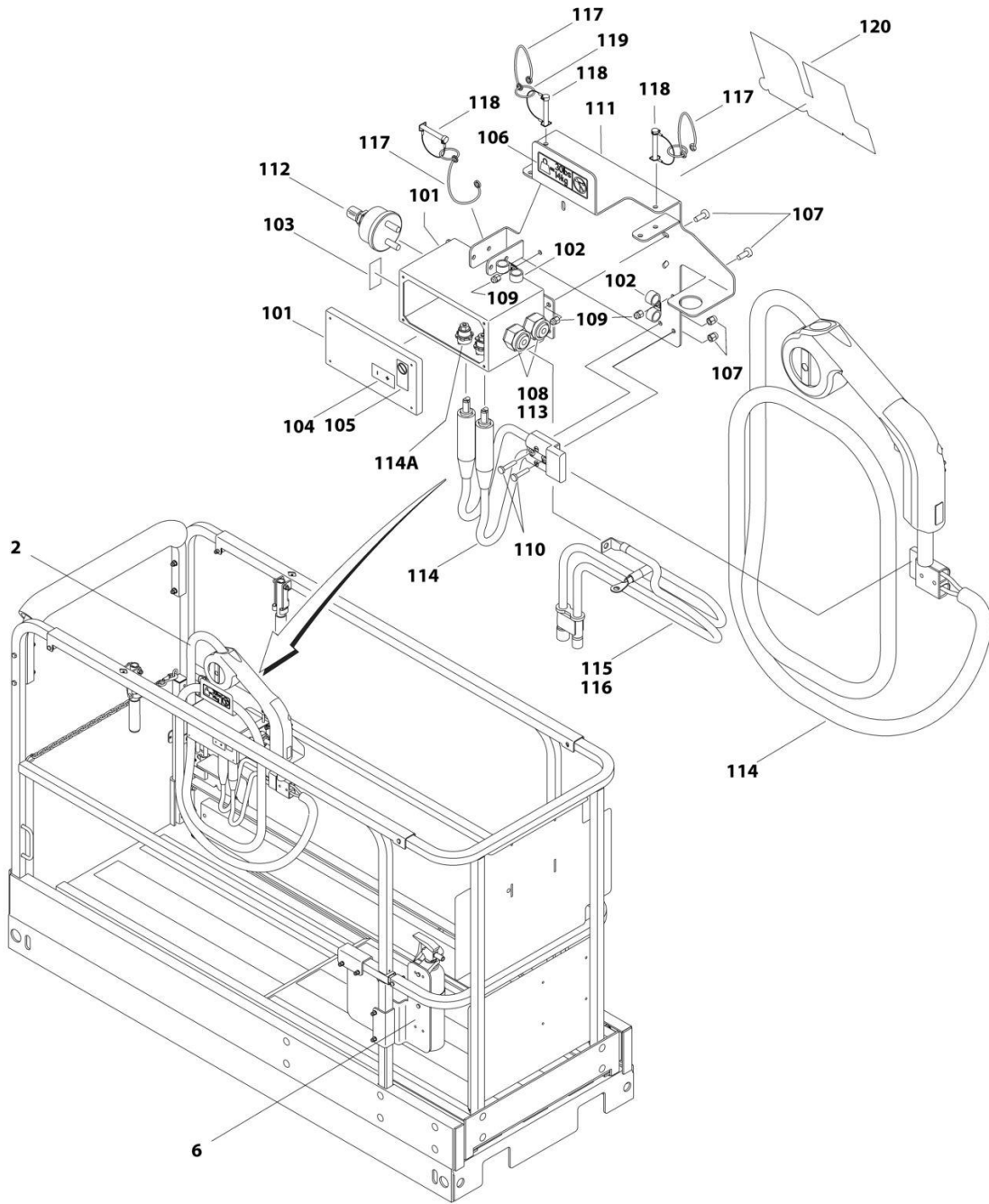
SECTION 4 - PLATFORM

FIGURE 4-39. QUIK WELDER INSTALLATION (2032ES)

ITEM	PART NUMBER	QTY	DESCRIPTION	REV
	0272880	Ref	QUIK WELDER INSTALLATION	D
2	2902334	1	Kit, Quik Welder (See Items 101-120 for Breakdown)	
6	0275073	1	Quik Welder Ready (See QUIK WELDER READY for Breakdown)	
	2902334	Ref	QUIK WELDER KIT	C
101	0861527	1	Box, Welder Disconnect	
102	1320224	4	Clamp	
103	1705213	1	Decal - On/Off	
104	1705214	1	Decal - Plus/ Minus	
105	1705305	1	Decal - Weld Lead	
106	1705953	1	Decal - Weight	
107	3290606	8	Bolt M6 x 1	
108	3300048	2	Nut 3/4	
109	4010608	6	Screw M6 x 16	
110	4010614	2	Screw M6 x 30	
111	4340938	1	Mount, Quik Welder	
112	4360155	1	Switch, Master Disconnect	
113	4460328	2	Terminal, Connector	
114	4530021	1	Welder	
114A	7027303	2	Connector, Female	
115	4923048	1	Cable, Quik Welder Assembly	
116	1060957	1	Cable, Welder	
117	1060379	3	Cable, Lanyard	
118	3421453	3	Pin	
119	3760170	3	Ring	
120	1705754	1	Decal - JLG	

SECTION 4 - PLATFORM

FIGURE 4-40. QUIK WELDER INSTALLATION (2632ES)



ART_0272881

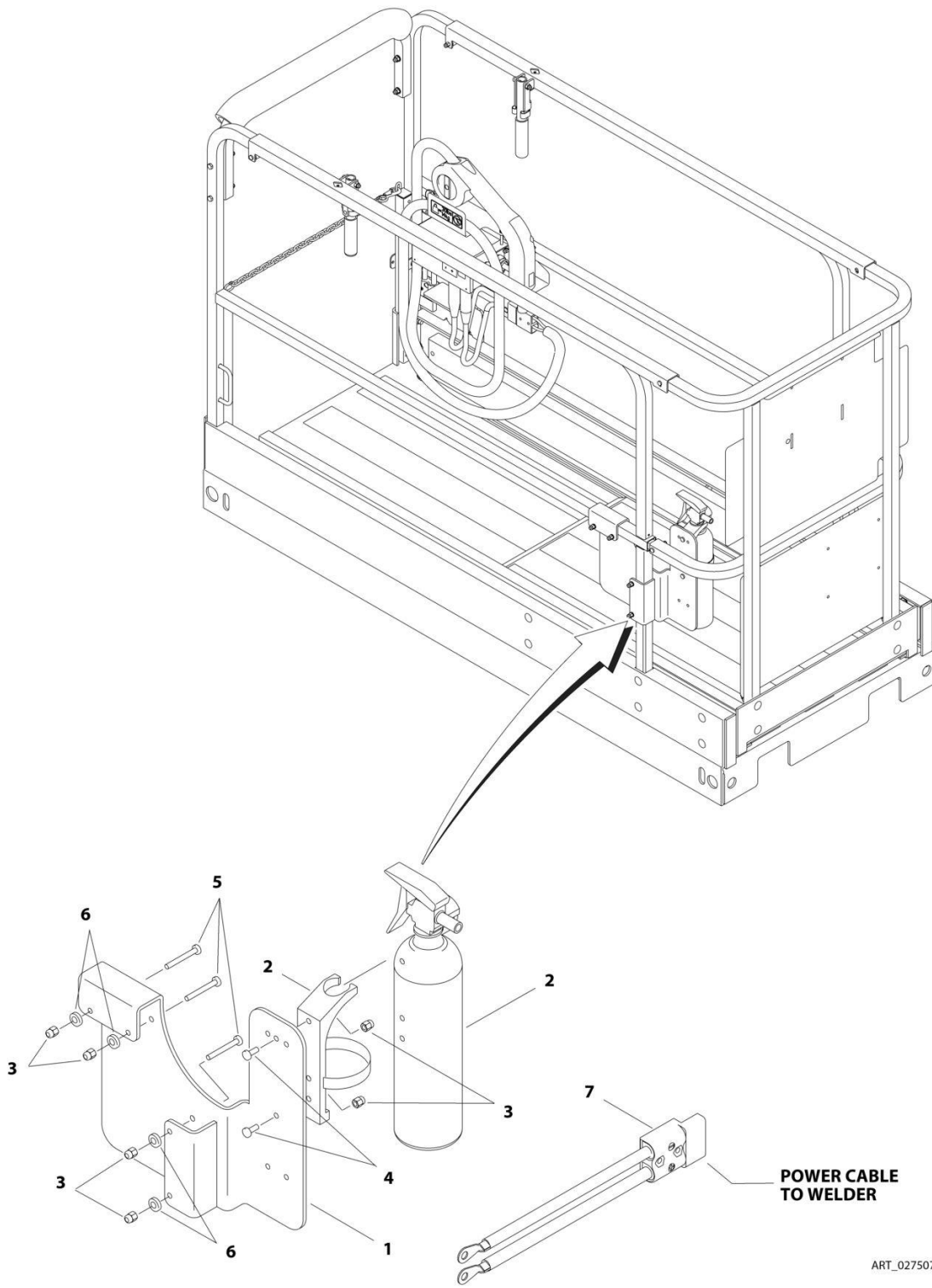
SECTION 4 - PLATFORM

FIGURE 4-40. QUIK WELDER INSTALLATION (2632ES)

ITEM	PART NUMBER	QTY	DESCRIPTION	REV
	0272881	Ref	QUIK WELDER INSTALLATION	D
2	2902334	1	Kit, Quik Welder (See Items 101-120 for Breakdown)	
6	0275074	1	Quik Welder Ready (See QUIK WELDER READY for Breakdown)	
	2902334	Ref	QUIK WELDER KIT	C
101	0861527	1	Box, Welder Disconnect	
102	1320224	4	Clamp	
103	1705213	1	Decal - On/Off	
104	1705214	1	Decal - Plus/ Minus	
105	1705305	1	Decal - Weld Lead	
106	1705953	1	Decal - Weight	
107	3290606	8	Bolt M6 x 1	
108	3300048	2	Nut 3/4	
109	4010608	6	Screw M6 x 16	
110	4010614	2	Screw M6 x 30	
111	4340938	1	Mount, Quik Welder	
112	4360155	1	Switch, Master Disconnect	
113	4460328	2	Terminal, Connector	
114	4530021	1	Welder	
114A	7027303	2	Connector, Female	
115	4923048	1	Cable, Quik Welder Assembly	
116	1060957	1	Cable, Welder	
117	1060379	3	Cable, Lanyard	
118	3421453	3	Pin	
119	3760170	3	Ring	
120	1705754	1	Decal - JLG	

SECTION 4 - PLATFORM

FIGURE 4-41. QUIK WELDER READY INSTALLATION (2032ES)



ART_0275073

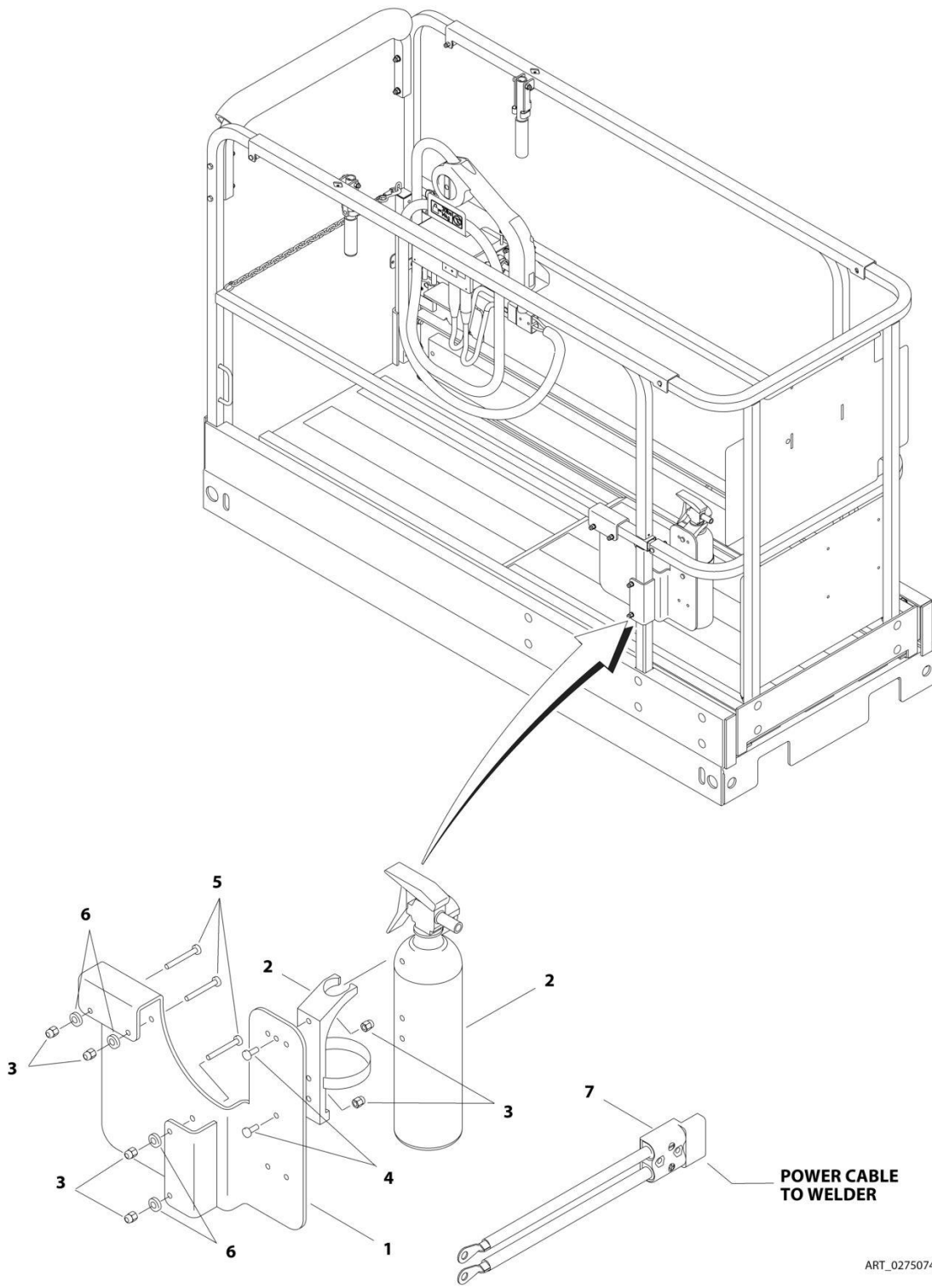
SECTION 4 - PLATFORM

FIGURE 4-41. QUIK WELDER READY INSTALLATION (2032ES)

ITEM	PART NUMBER	QTY	DESCRIPTION	REV
	0275073	Ref	QUIK WELDER READY INSTALLATION (2032ES)	B
1	0903416	1	Bracket, Fire Extinguisher Mount	
2	2030010	1	Extinguisher, Fire	
3	3290606	6	Nut M6 x 1	
4	4010608	2	Screw M6 x 16	
5	4010618	4	Screw M6 x 50	
6	4811700	4	Washer M6	
7	4923050	1	Cable, Quik Welder Power	

SECTION 4 - PLATFORM

FIGURE 4-42. QUIK WELDER READY INSTALLATION (2632ES)



ART_0275074

SECTION 4 - PLATFORM

FIGURE 4-42. QUIK WELDER READY INSTALLATION (2632ES)

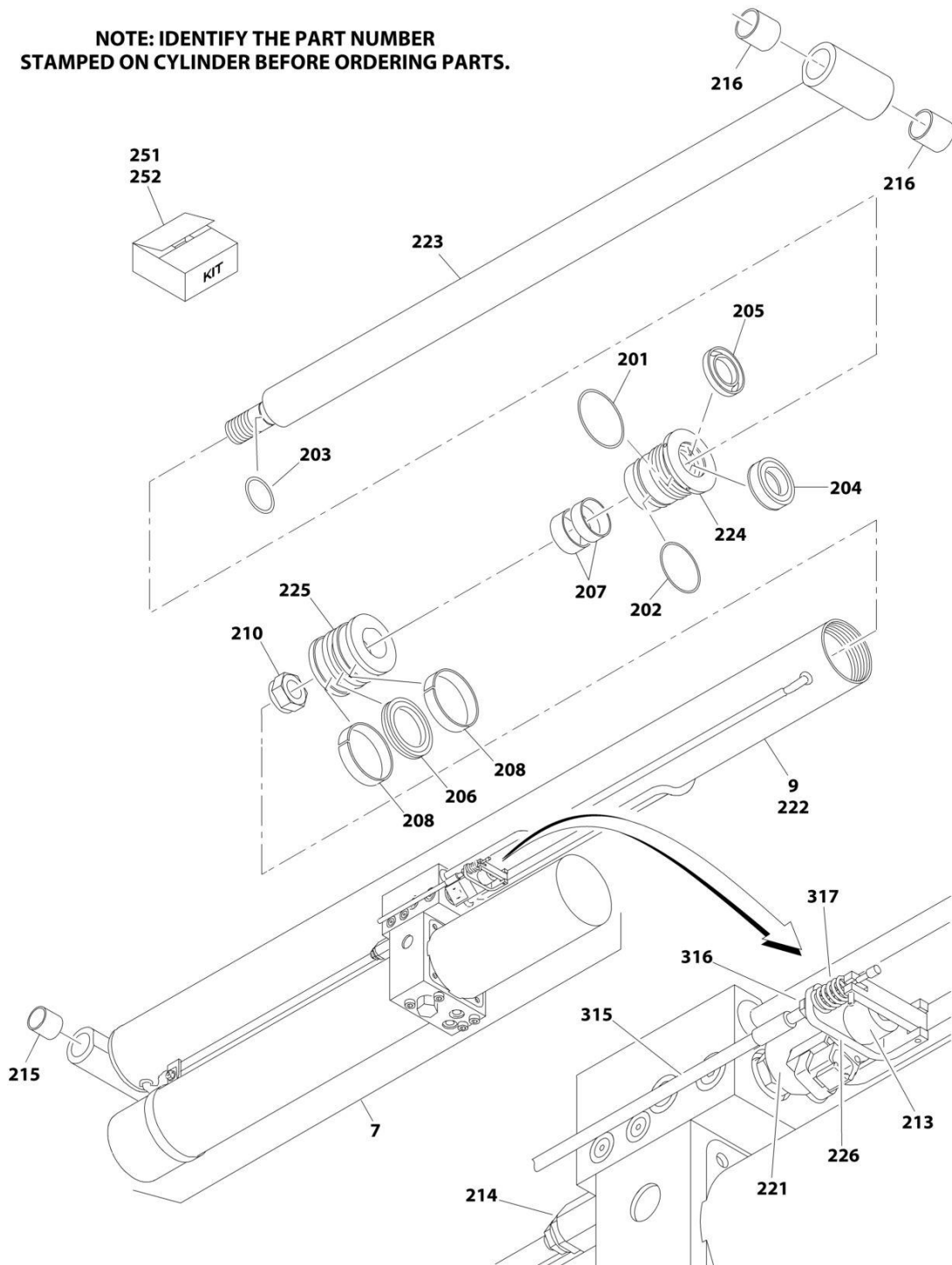
ITEM	PART NUMBER	QTY	DESCRIPTION	REV
	0275074	Ref	QUIK WELDER READY INSTALLATION (2632ES)	B
1	0903416	1	Bracket, Fire Extinguisher Mount	
2	2030010	1	Extinguisher, Fire	
3	3290606	6	Nut M6 x 1	
4	4010608	2	Screw M6 x 16	
5	4010618	4	Screw M6 x 50	
6	4811700	4	Washer M6	
7	4923051	1	Cable, Quik Welder Power	

SECTION 5 - CYLINDER

SECTION 5 - CYLINDER

FIGURE 5-1. LIFT CYLINDER ASSEMBLY - 2032ES (TEXAS HYDRAULICS)

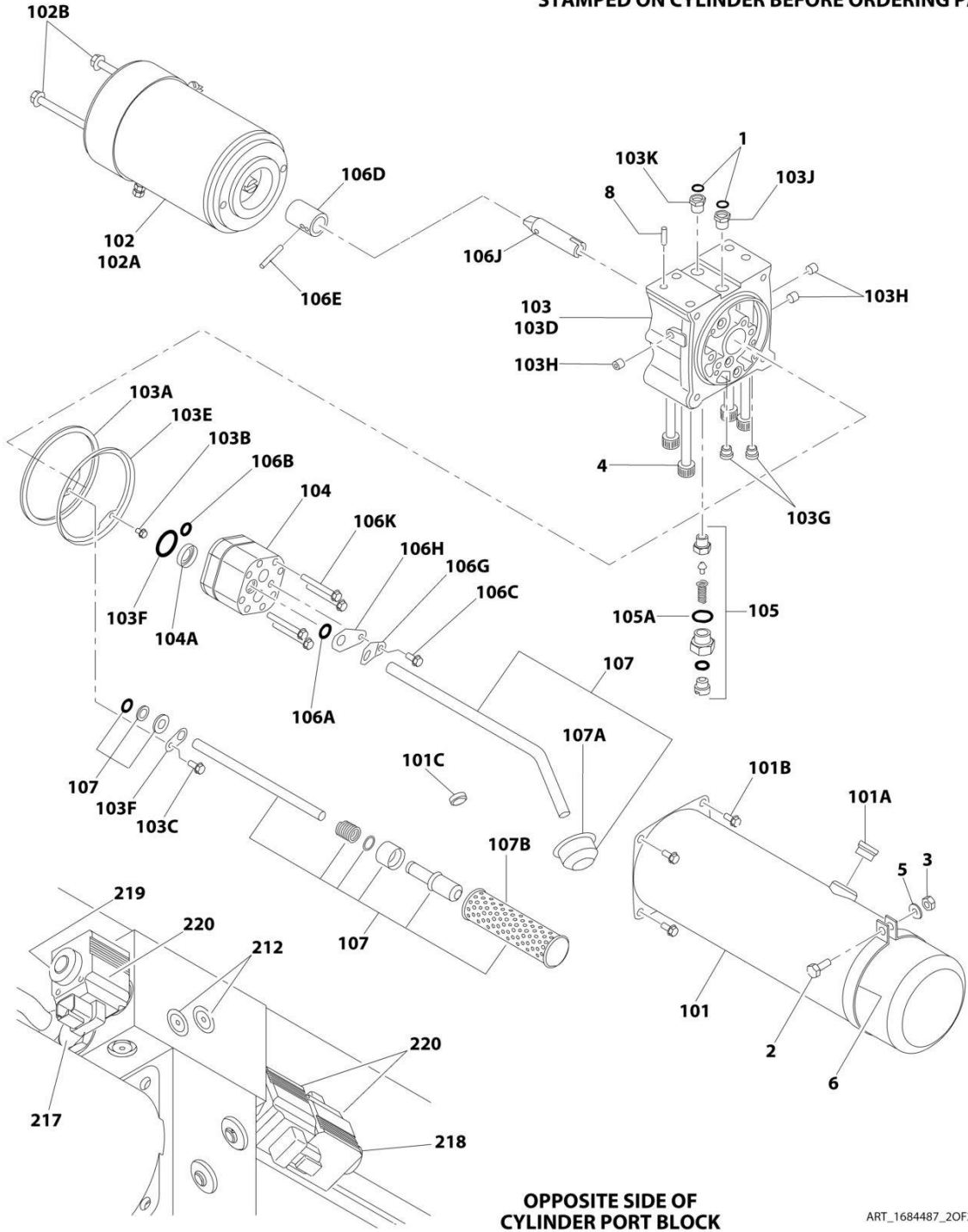
NOTE: IDENTIFY THE PART NUMBER STAMPED ON CYLINDER BEFORE ORDERING PARTS.



ART_1684487_10F2

SECTION 5 - CYLINDER

NOTE: IDENTIFY THE PART NUMBER STAMPED ON CYLINDER BEFORE ORDERING PARTS.



ART_1684487_20F2

SECTION 5 - CYLINDER

FIGURE 5-1. LIFT CYLINDER ASSEMBLY - 2032ES (TEXAS HYDRAULICS)

ITEM	PART NUMBER	QTY	DESCRIPTION	REV
		Ref	LIFT CYLINDER ASSEMBLY - 2032ES (TEXAS HYDRAULIC)	
	1684487	Ref	Lift Cylinder Assembly 2032ES with Standard Hydraulic Oil	H
	1684527	Ref	Lift Cylinder Assembly 2032ES with Biodegradeable Hydraulic Oil	G
		Ref	Note: Original Cylinder May Have Been Replaced with Service Replacement. Identify PN Stamped on Cylinder Before Ordering Parts.	
1	7023577	2	O-Ring	
2	See Note	NSS	Capscrew (Note: Purchase Locally)	
3	See Note	NSS	Locknut (Note: Purchase Locally)	
4	7023589	4	Capscrew	
5	See Note	NSS	Flatwasher (Note: Purchase Locally)	
6	7023539	1	Clamp	
7	7023549	1	Power Pack Assembly - Complete (See Items 101-107B for Breakdown)	
8	70003646	2	Pin, Dowel	
8	70003645	2	Roll Pin	
9	See Note	NSS	Cylinder Assembly Only (Note: See Items 201-227 for Breakdown)	
	7023549	Ref	POWER PACK ASSEMBLY - COMPLETE	
101	7023587	1	Tank Kit (Note: Includes Tank and Items 101A-101C)	
101A	7023593	1	Plug, Fill	
101B	See Note	NSS	Screw (Note: Use Item 101)	
101C	See Note	NSS	Magnet (Note: Use Item 101)	
102	7023570	1	Motor	
102A	70000658	1	Brush Kit - 7023570 Motor	
102B	See Note	NSS	Screw (Note: Purchase Locally)	
103	7023571	1	Adapter Kit	
103A	70000335	1	O-Ring	
103B	See Note	NSS	Screw (Note: Use Item 103)	
103C	See Note	NSS	Screw (Note: Use Item 103)	
103D	See Note	NSS	Adapter (Note: Use Item 103)	
103E	See Note	NSS	Seal (Note: Use Item 252A or 252B)	
103F	See Note	NSS	Retainer (Note: Use Item 103)	
103G	2220883	2	Plug	
103H	See Note	NSS	Plug (Note: Use Item 103)	
103J	See Note	NSS	Breather 9/16in-12UNC (Note: Use Item 103)	
103K	See Note	NSS	Breather 9/16in-18SAE (Note: Use Item 103)	
104	7023588	1	Pump Options: (Note: Shaft Seal is only Repair Part Available. No Other Service Parts Available - Replace Complete Pump)	
104A	See Note	1	Seal, Shaft (Note: Use Item 252)	
105	7023573	1	Relief Valve Assembly	
105A	7023591	1	Sealing Washer	
106		Ref	Power Pack Miscellaneous Service Parts	
106A	See Note	NSS	Seal (Note: Use Item 7)	
106B	See Note	NSS	Seal (Note: Use Item 252A or 252B)	
106C	See Note	NSS	Screw (Note: Use Item 7)	
106D	See Note	NSS	Sleeve (Note: Use Item 106J)	
106E	See Note	NSS	Roll Pin (Note: Use Item 106J)	
106F	See Note	NSS	Seal (Note: Use Item 252)	
106G	See Note	NSS	Tab, Locking (Note: Use Item 7)	
106H	See Note	NSS	Retainer, Tube (Note: Use Item 7)	

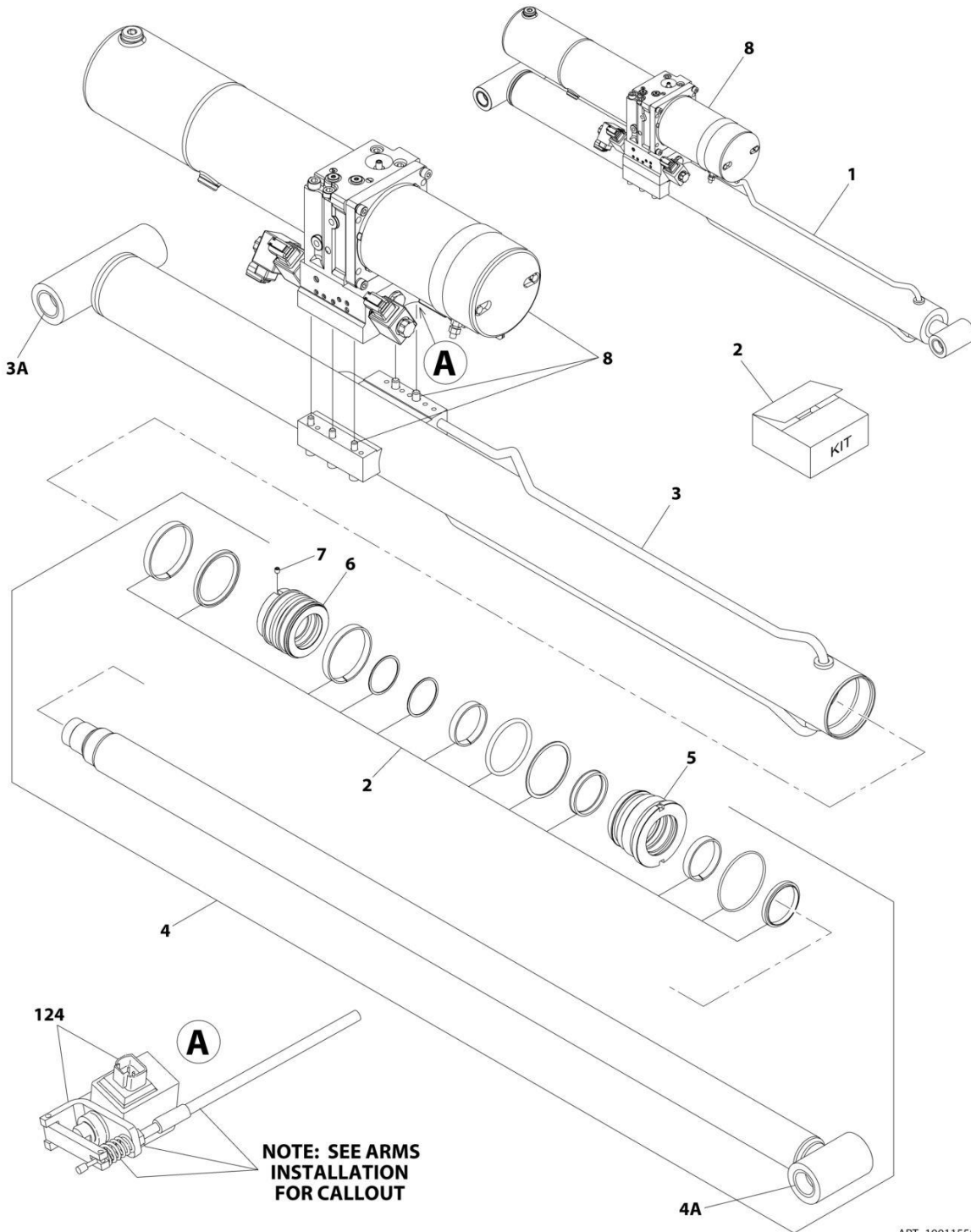
SECTION 5 - CYLINDER

ITEM	PART NUMBER	QTY	DESCRIPTION	REV
106J	7023574	1	Coupler Kit (Includes Items 106D & 106E)	
106K	See Note	NSS	Screw (Note: Use Item 7)	
107	7023586	1	Tube Kit	
107A	See Note	NSS	Strainer (Note: Use Item 107)	
107B	7023576	1	Filter Element (Includes Seal)	
		Ref	CYLINDER ASSEMBLY ONLY COMPONENTS	
201	See Note	NSS	O-Ring (Note: Use Item 251)	
202	See Note	NSS	O-Ring (Note: Use Item 251)	
203	See Note	NSS	O-Ring (Note: Use Item 251)	
204	See Note	NSS	Seal (Note: Use Item 251)	
205	See Note	NSS	Wiper (Note: Use Item 251)	
206	See Note	NSS	Seal (Note: Use Item 251) (Note: This is a 3 piece seal. Assembly may be required)	
207	See Note	NSS	Ring, Wear (Note: Use Item 251)	
208	See Note	NSS	Ring, Wear (Note: Use Item 251)	
210	See Note	NSS	Locknut (Note: Purchase Complete Assembly)	
211	2220883	4	Plug, Steel (SAE #4) (Not Shown)	
212	2220882	8	Plug, Steel (SAE #3)	
213	7023543	1	Valve, Proportional (Lift Down)	
214	7023542	1	Valve, Relief (Steer)	
215	0962257	2	Bushing	
216	0962257	2	Bushing	
217	7023538	1	Valve, Check	
218	7023537	1	Directional Control Valve (Steer)	
219	7023536	1	Directional Control Valve (Lift Up)	
220	70000798	3	Coil (Steer and Lift Up)	
221	70000799	1	Coil (Lift Down)	
222	7023548	1	Barrel	
223	7023547	1	Rod	
224	7023546	1	Head	
225	7023545	Ref	Piston	
226	7023530	1	Emergency Release Assembly	
		Ref	SEAL KIT OPTIONS	
251	7023544	1	Seal Kit - Cylinder (Includes Items 201-208)	
252	70001709	1	Seal Kit - Reservoir/Pump (Includes 103A, 103E, 104A, 106B & 106F)	
		Ref	MANUAL DESCENT COMPONENTS	
315	1061034	Ref	Cable, Pull	
315	7020218	1	T-Handle (With 1/4-20 Threads)	
315	70001878	1	T-Handle (With 5mm Threads)	
316	3321402	1	Nut, Jam 1/4-18	
317	4160078	1	Spring	

SECTION 5 - CYLINDER

FIGURE 5-2. LIFT CYLINDER ASSEMBLY - 2032ES WITH STANDARD HYDRAULIC OIL (SERTA)

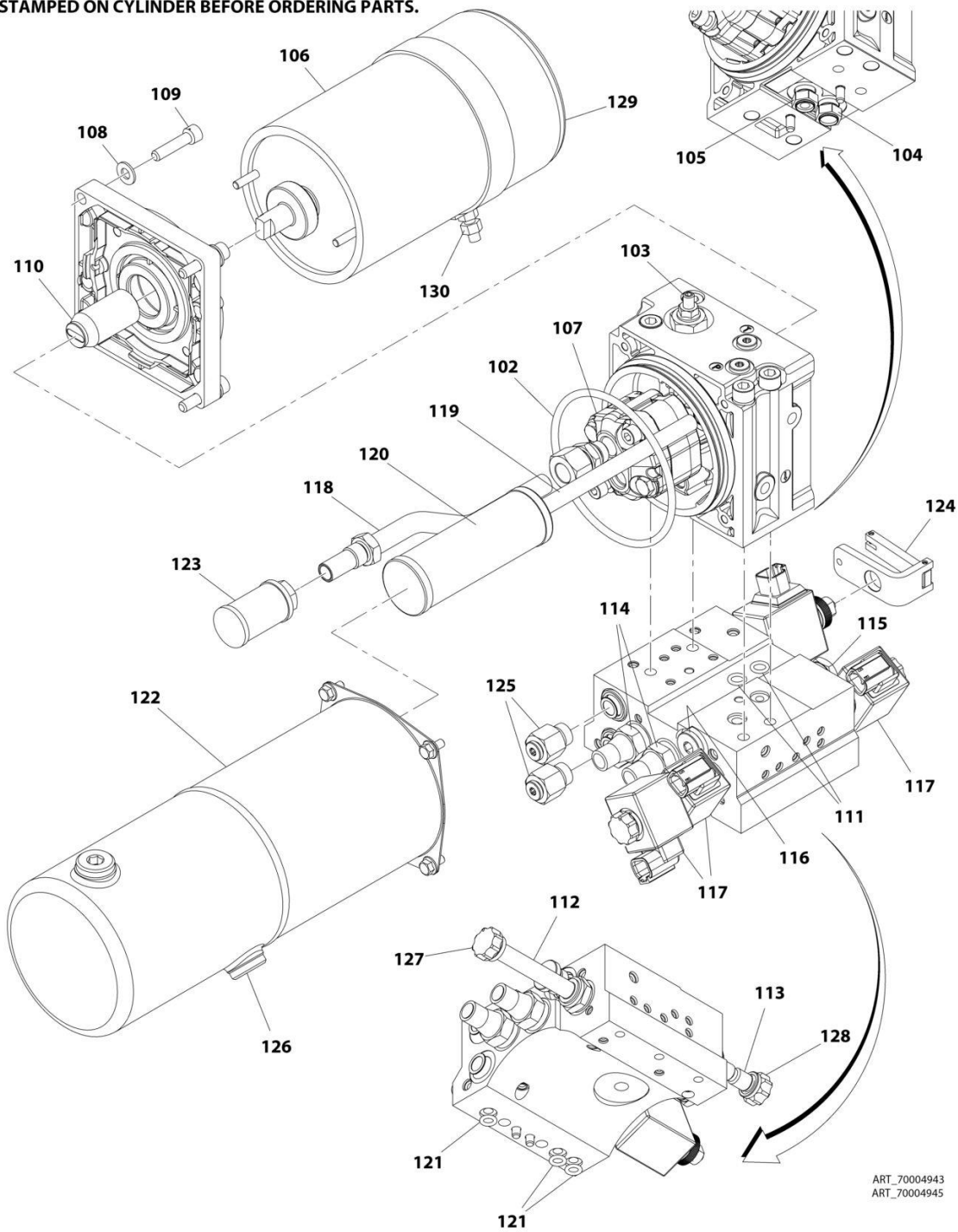
NOTE: IDENTIFY THE PART NUMBER STAMPED ON CYLINDER BEFORE ORDERING PARTS.



ART_1001155841

SECTION 5 - CYLINDER

NOTE: IDENTIFY THE PART NUMBER
STAMPED ON CYLINDER BEFORE ORDERING PARTS.



ART_70004943
ART_70004945

SECTION 5 - CYLINDER

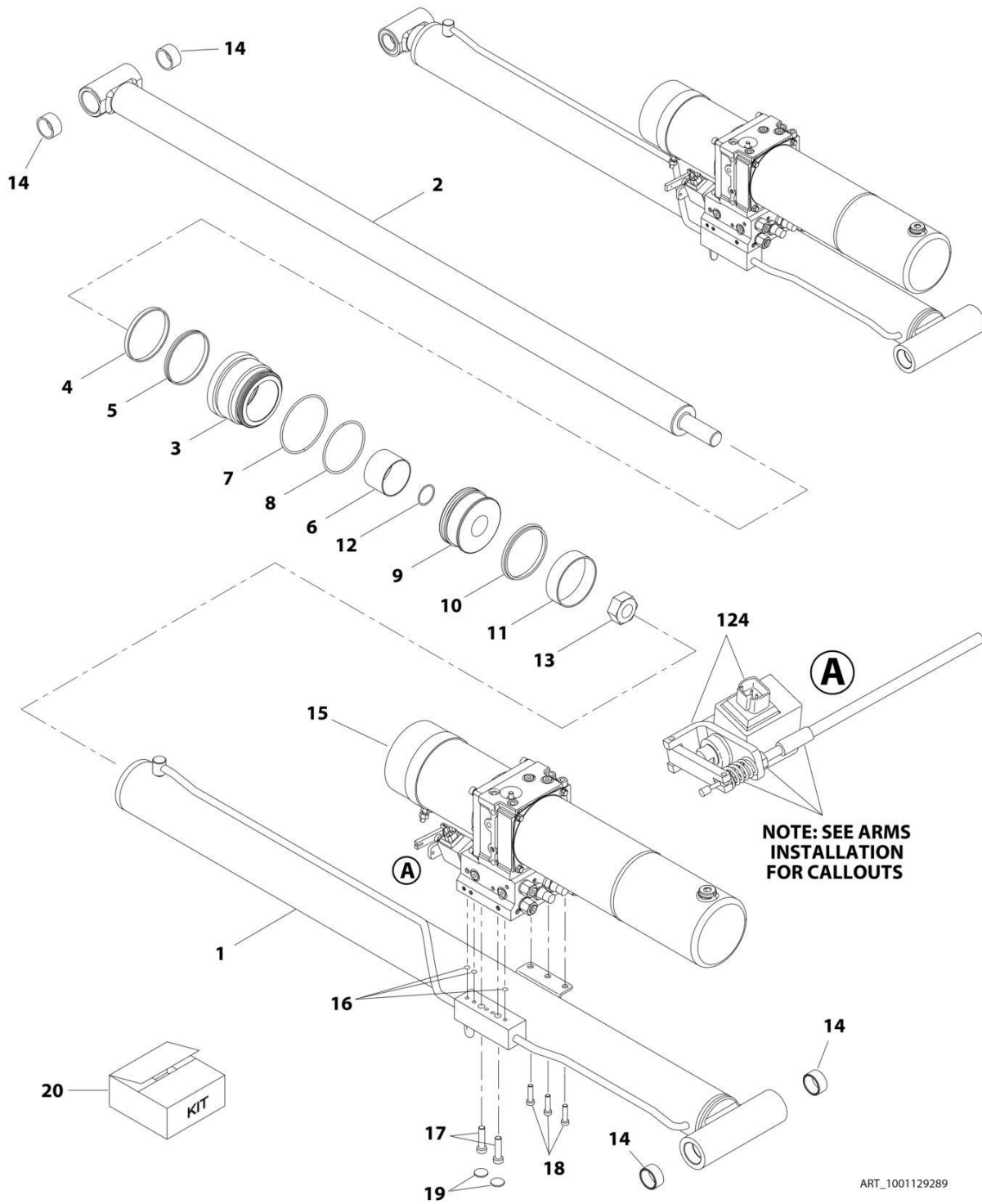
FIGURE 5-2. LIFT CYLINDER ASSEMBLY - 2032ES WITH STANDARD HYDRAULIC OIL (SERTA)

ITEM	PART NUMBER	QTY	DESCRIPTION	REV
	1001155841	Ref	LIFT CYLINDER ASSEMBLY - 2032ES WITH STANDARD HYDRAULIC OIL (SERTA)	G
		Ref	Note: Original Cylinder May Have Been Replaced with Service Replacement. Identify PN Stamped on Cylinder Before Ordering Parts.	
1	70004725	1	Cylinder Assembly Less Powerpack	
2	70004728	1	Seal Kit	
3	70004723	1	Barrel	
3A	0962257	2	Bushing	
4	70004722	1	Rod Assembly (Includes Items 2, 4A, 5, 6 & 7)	
4A	0962257	1	Bushing	
5	70006090	1	Head, Cylinder	
6	70025323	1	Piston	
7	70023915	1	Screw	
8	70004943	1	Motor/Pump/Tank Assembly (Includes Items 102-121)	
		Ref	MOTOR/PUMP/TANK ASSEMBLY	
	70004943	1	Motor/Pump/Tank Assembly	
102	70004914	1	O-Ring	
103	70004915	1	Cartridge, Valve (Main Relief)	
104	70004916	1	Cartridge, Valve (Breather Vacuum Check)	
105	70004917	1	Cartridge, Valve (Breather Pressure Check)	
106	70004970	1	Kit, Motor (Includes motor, flange and ring)	
107	70005233	1	Kit, Pump (Includes pump and hardware)	
108	70004974	4	Washer M8	
109	70004975	4	Capscrew M8 x 60	
110	70004973	1	Shaft Coupling	
111	70004925	2	O-Ring	
112	70003028	1	Cartridge, Solenoid Valve Less Coil (Steer)	
113	70004926	1	Cartridge, Solenoid Valve Less Coil (Lift)	
114	70004927	2	Cartridge, Valve (Steer Relief)	
115	70004585	1	Cartridge, Valve (Lift Check)	
116	70004928	1	Filter 300 micron	
117	70003707	3	Coil	
118	70004941	1	Pipe, Suction	
119	70004942	1	Pipe, Return	
120	70004935	1	Filter, Bypass	
121	70004936	3	O-Ring	
122	70005239	1	Kit, Tank (Includes tank, plug, "o"-ring and screws)	
123	70005235	1	Kit, Filter (Includes strainer and seal ring)	
124	70005236	1	Kit, Solenoid Valve (Includes solenoid, coil and lever)	
125	70005237	2	Kit, Fitting (Includes adapter, seal washer and plug)	
126	70004921	1	Plug	
127	70004654	1	Nut, Coil (for Item #112)	
128	70005238	1	Nut, Retaining (for Item #113)	
129	70004971	1	Kit, Brush	
130	70004972	1	Nut M8	

SECTION 5 - CYLINDER

FIGURE 5-3. LIFT CYLINDER ASSEMBLY - 2032ES WITH STANDARD HYDRAULIC OIL (SH-PAC)

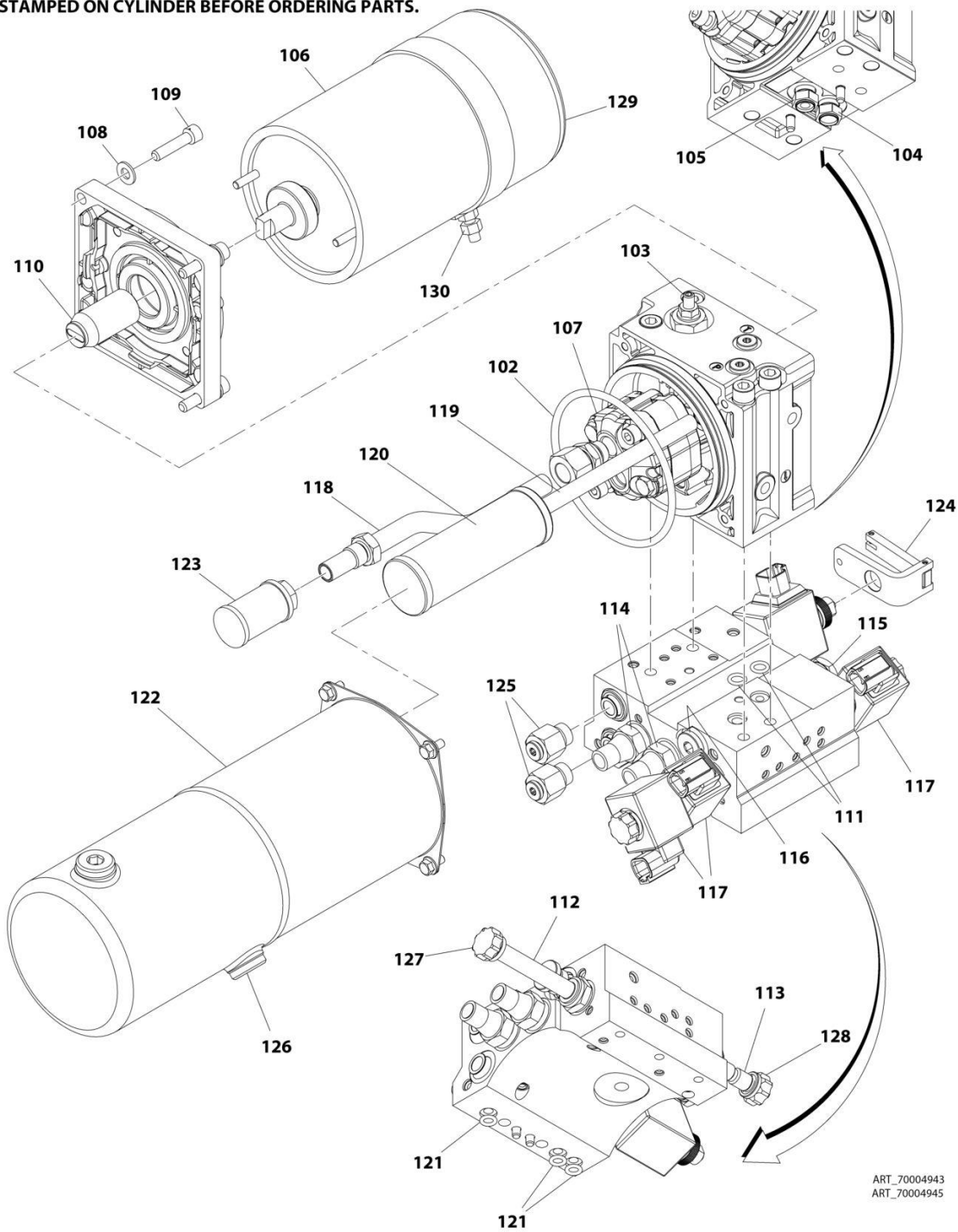
NOTE: IDENTIFY THE PART NUMBER STAMPED ON CYLINDER BEFORE ORDERING PARTS.



ART_1001129289

SECTION 5 - CYLINDER

NOTE: IDENTIFY THE PART NUMBER
STAMPED ON CYLINDER BEFORE ORDERING PARTS.



ART_70004943
ART_70004945

SECTION 5 - CYLINDER

FIGURE 5-3. LIFT CYLINDER ASSEMBLY - 2032ES WITH STANDARD HYDRAULIC OIL (SH-PAC)

ITEM	PART NUMBER	QTY	DESCRIPTION	REV
	1001129289	Ref	LIFT CYLINDER ASSEMBLY - 2032ES WITH STANDARD HYDRAULIC OIL (SH-PAC)	H
		Ref	Note: Original Cylinder May Have Been Replaced with Service Replacement. Identify PN Stamped on Cylinder Before Ordering Parts.	
1	70004628	1	Barrel	
2	70004629	1	Rod	
3	70004630	1	Head, Cylinder	
4	See Note	NSS	Seal, Dust (Note: Use Item 20)	
5	See Note	NSS	Seal (Note: Use Item 20)	
6	70004631	1	Bearing	
7	See Note	NSS	O-Ring (Note: Use Item 20)	
8	See Note	NSS	O-Ring (Note: Use Item 20)	
9	70004632	1	Piston	
10	See Note	NSS	Seal (Note: Use Item 20)	
11	See Note	NSS	Ring, Wear (Note: Use Item 20)	
12	See Note	NSS	O-Ring (Note: Use Item 20)	
13	70003663	1	Nut	
14	0962257	4	Bushing	
15	70004943	1	Motor/Pump/Tank Assembly (See Items 102-121 for Breakdown)	
16	See Note	NSS	O-Ring (Note: Use Item 20)	
17	70004624	2	Capscrew M10 x 40	
18	70004625	3	Capscrew M8 x 20	
19	70004626	2	Plug, Extension	
20	70004633	1	Seal Kit - Cylinder (Includes Items 4, 5, 7, 8, 10, 11, 12 & 16)	
		Ref	MOTOR/PUMP/TANK ASSEMBLY	
	70004943	1	Motor/Pump/Tank Assembly	
102	70004914	1	O-Ring	
103	70004915	1	Cartridge, Valve (Main Relief)	
104	70004916	1	Cartridge, Valve (Breather Vacuum Check)	
105	70004917	1	Cartridge, Valve (Breather Pressure Check)	
106	70004970	1	Kit, Motor (Includes motor, flange and ring)	
107	70005233	1	Kit, Pump (Includes pump and hardware)	
108	70004974	4	Washer M8	
109	70004975	4	Capscrew M8 x 60	
110	70004973	1	Shaft Coupling	
111	70004925	2	O-Ring	
112	70003028	1	Cartridge, Solenoid Valve Less Coil (Steer)	
113	70004926	1	Cartridge, Solenoid Valve Less Coil (Lift)	
114	70004927	2	Cartridge, Valve (Steer Relief)	
115	70004585	1	Cartridge, Valve (Lift Check)	
116	70004928	1	Filter 300 micron	
117	70003707	3	Coil	
118	70004941	1	Pipe, Suction	
119	70004942	1	Pipe, Return	
120	70004935	1	Filter, Bypass	
121	70004936	3	O-Ring	
122	70005239	1	Kit, Tank (Includes tank, plug, "o"-ring and screws)	
123	70005235	1	Kit, Filter (Includes strainer and seal ring)	
124	70005236	1	Kit, Solenoid Valve (Includes solenoid, coil and lever)	

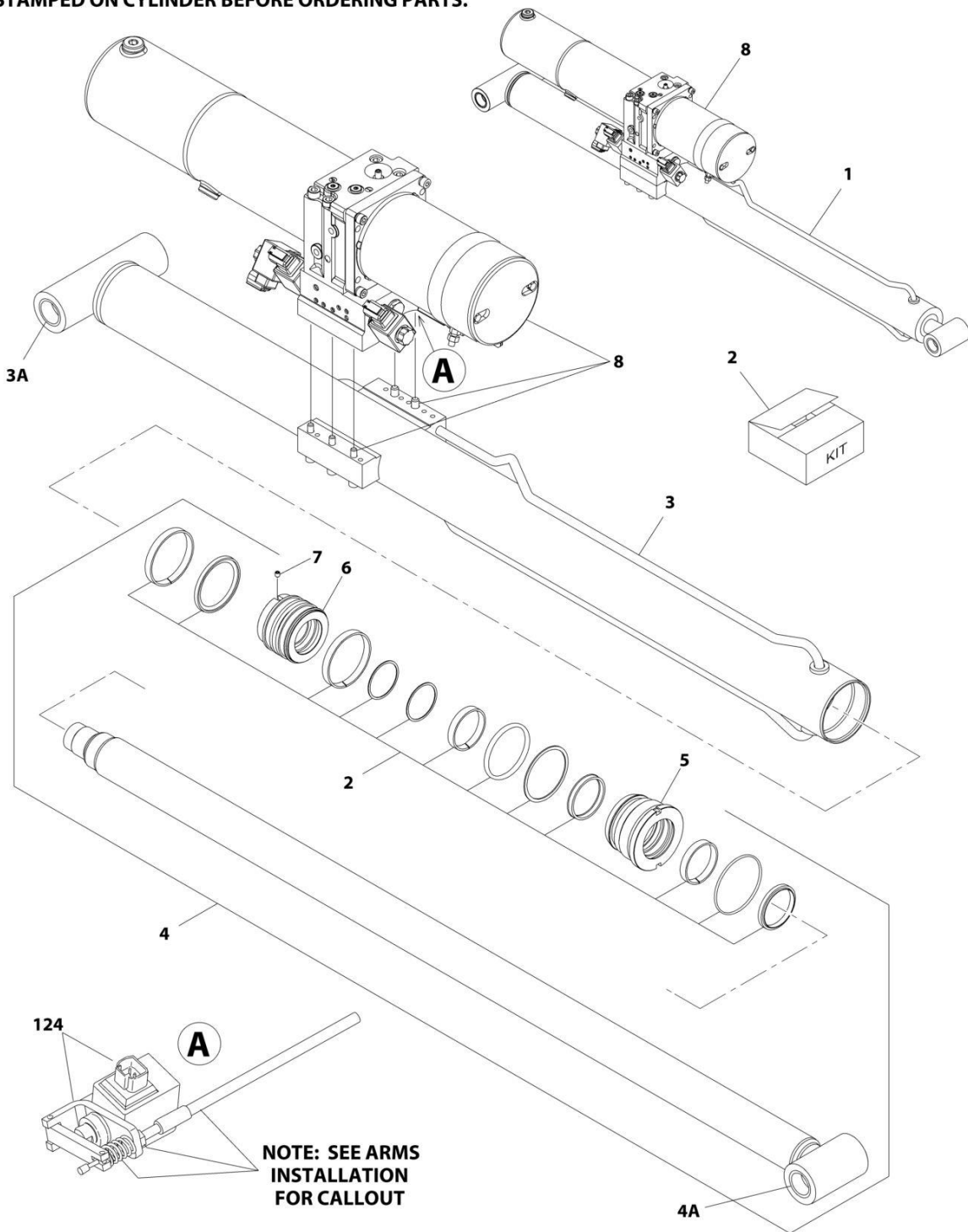
SECTION 5 - CYLINDER

ITEM	PART NUMBER	QTY	DESCRIPTION	REV
125	70005237	2	Kit, Fitting (Includes adapter, seal washer and plug)	
126	70004921	1	Plug	
127	70004654	1	Nut, Coil (for Item #112)	
128	70005238	1	Nut, Retaining (for Item #113)	
129	70004971	1	Kit, Brush	
130	70004972	1	Nut M8	

SECTION 5 - CYLINDER

FIGURE 5-4. LIFT CYLINDER ASSEMBLY - 2032ES WITH BIODEGRADABLE HYDRAULIC OIL (SERTA)

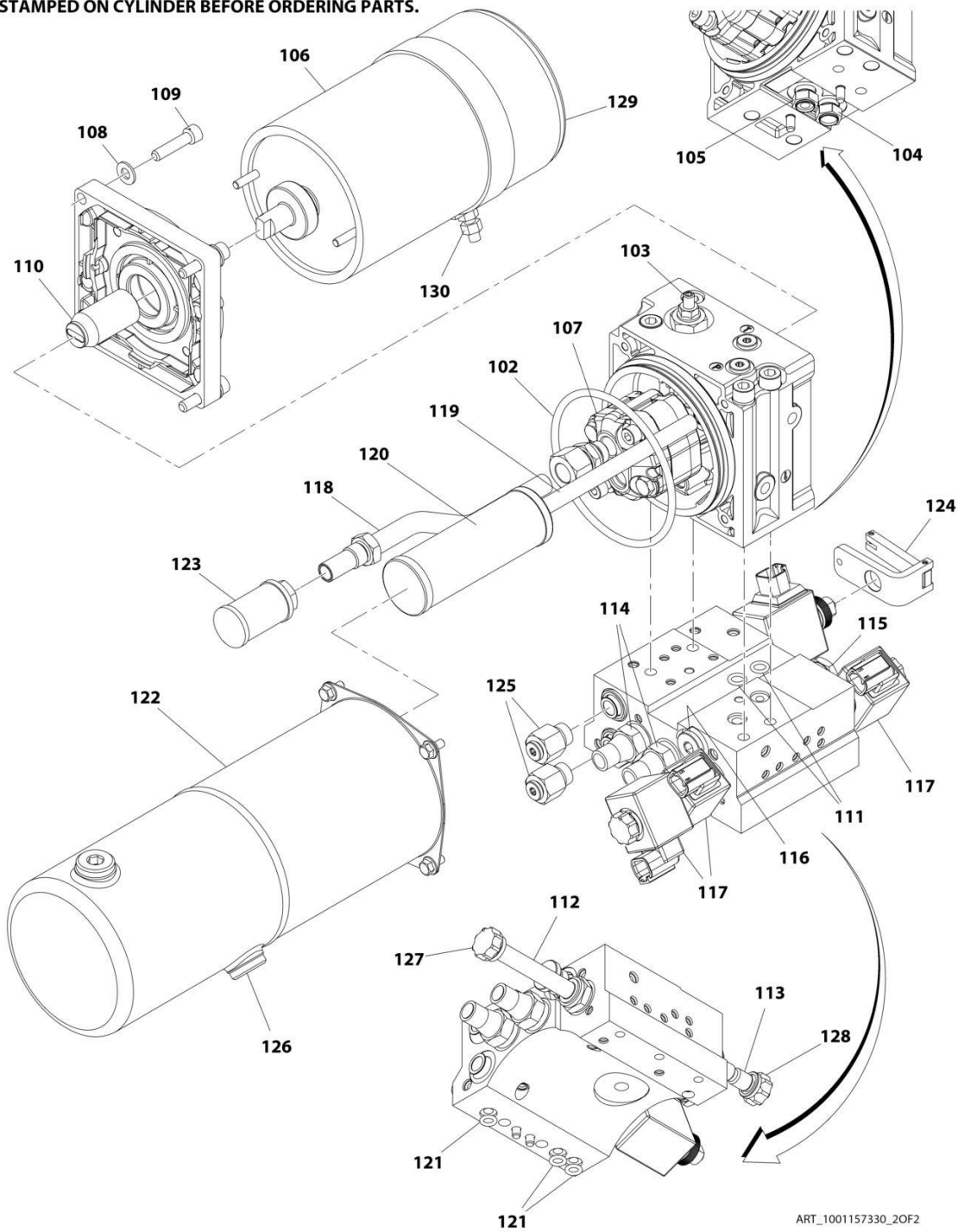
NOTE: IDENTIFY THE PART NUMBER STAMPED ON CYLINDER BEFORE ORDERING PARTS.



ART_1001157330_1OF2

SECTION 5 - CYLINDER

NOTE: IDENTIFY THE PART NUMBER STAMPED ON CYLINDER BEFORE ORDERING PARTS.



ART_1001157330_20F2

SECTION 5 - CYLINDER

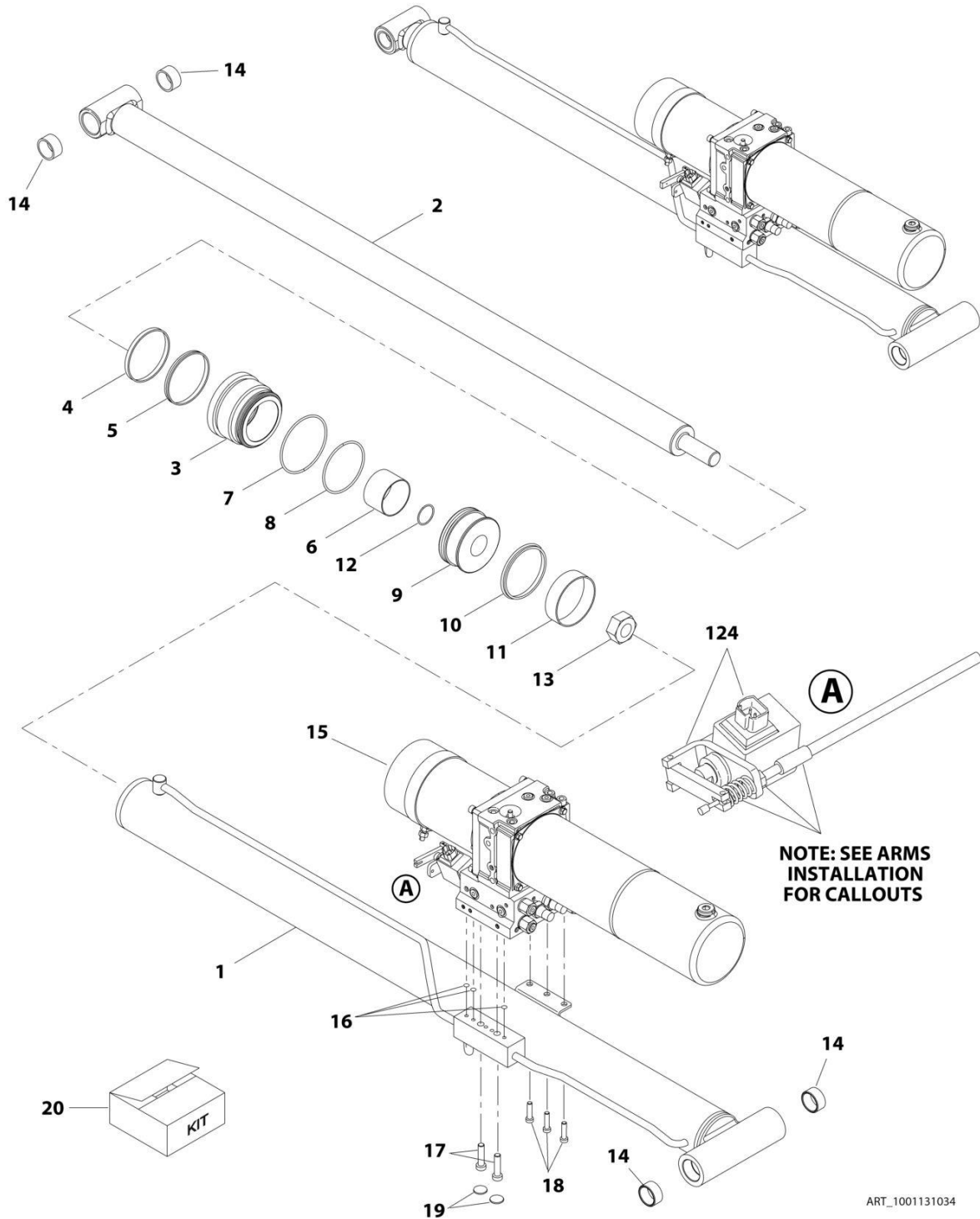
FIGURE 5-4. LIFT CYLINDER ASSEMBLY - 2032ES WITH BIODEGRADABLE HYDRAULIC OIL (SERTA)

ITEM	PART NUMBER	QTY	DESCRIPTION	REV
	1001157330	Ref	LIFT CYLINDER ASSEMBLY - 2032ES WITH BIODEGRADABLE HYDRAULIC OIL (SERTA)	F
		Ref	Note: Original Cylinder May Have Been Replaced with Service Replacement. Identify PN Stamped on Cylinder Before Ordering Parts.	
1	70004725	1	Cylinder Assembly Less Powerpack	
2	70004728	1	Seal Kit	
3	70004723	1	Barrel	
3A	0962257	2	Bushing	
4	70004722	1	Rod Assembly (Includes Items 2, 4A, 5, 6 & 7)	
4A	0962257	1	Bushing	
5	70006090	1	Head, Cylinder	
6	70025323	1	Piston	
7	70023915	1	Screw	
8	70004943	1	Motor/Pump/Tank Assembly (Includes Items 102-121)	
		Ref	MOTOR/PUMP/TANK ASSEMBLY	
	70004943	1	Motor/Pump/Tank Assembly	
102	70004914	1	O-Ring	
103	70004915	1	Cartridge, Valve (Main Relief)	
104	70004916	1	Cartridge, Valve (Breather Vacuum Check)	
105	70004917	1	Cartridge, Valve (Breather Pressure Check)	
106	70004970	1	Kit, Motor (Includes motor, flange and ring)	
107	70005233	1	Kit, Pump (Includes pump and hardware)	
108	70004974	4	Washer M8	
109	70004975	4	Capscrew M8 x 60	
110	70004973	1	Shaft Coupling	
111	70004925	2	O-Ring	
112	70003028	1	Cartridge, Solenoid Valve Less Coil (Steer)	
113	70004926	1	Cartridge, Solenoid Valve Less Coil (Lift)	
114	70004927	2	Cartridge, Valve (Steer Relief)	
115	70004585	1	Cartridge, Valve (Lift Check)	
116	70004928	1	Filter 300 micron	
117	70003707	3	Coil	
118	70004941	1	Pipe, Suction	
119	70004942	1	Pipe, Return	
120	70004935	1	Filter, Bypass	
121	70004936	3	O-Ring	
122	70005239	1	Kit, Tank (Includes tank, plug, "o"-ring and screws)	
123	70005235	1	Kit, Filter (Includes strainer and seal ring)	
124	70005236	1	Kit, Solenoid Valve (Includes solenoid, coil and lever)	
125	70005237	2	Kit, Fitting (Includes adapter, seal washer and plug)	
126	70004921	1	Plug	
127	70004654	1	Nut, Coil (for Item #112)	
128	70005238	1	Nut, Retaining (for Item #113)	
129	70004971	1	Kit, Brush	
130	70004972	1	Nut M8	

SECTION 5 - CYLINDER

FIGURE 5-5. LIFT CYLINDER ASSEMBLY - 2032ES WITH BIODEGRADABLE HYDRAULIC OIL (SH-PAC)

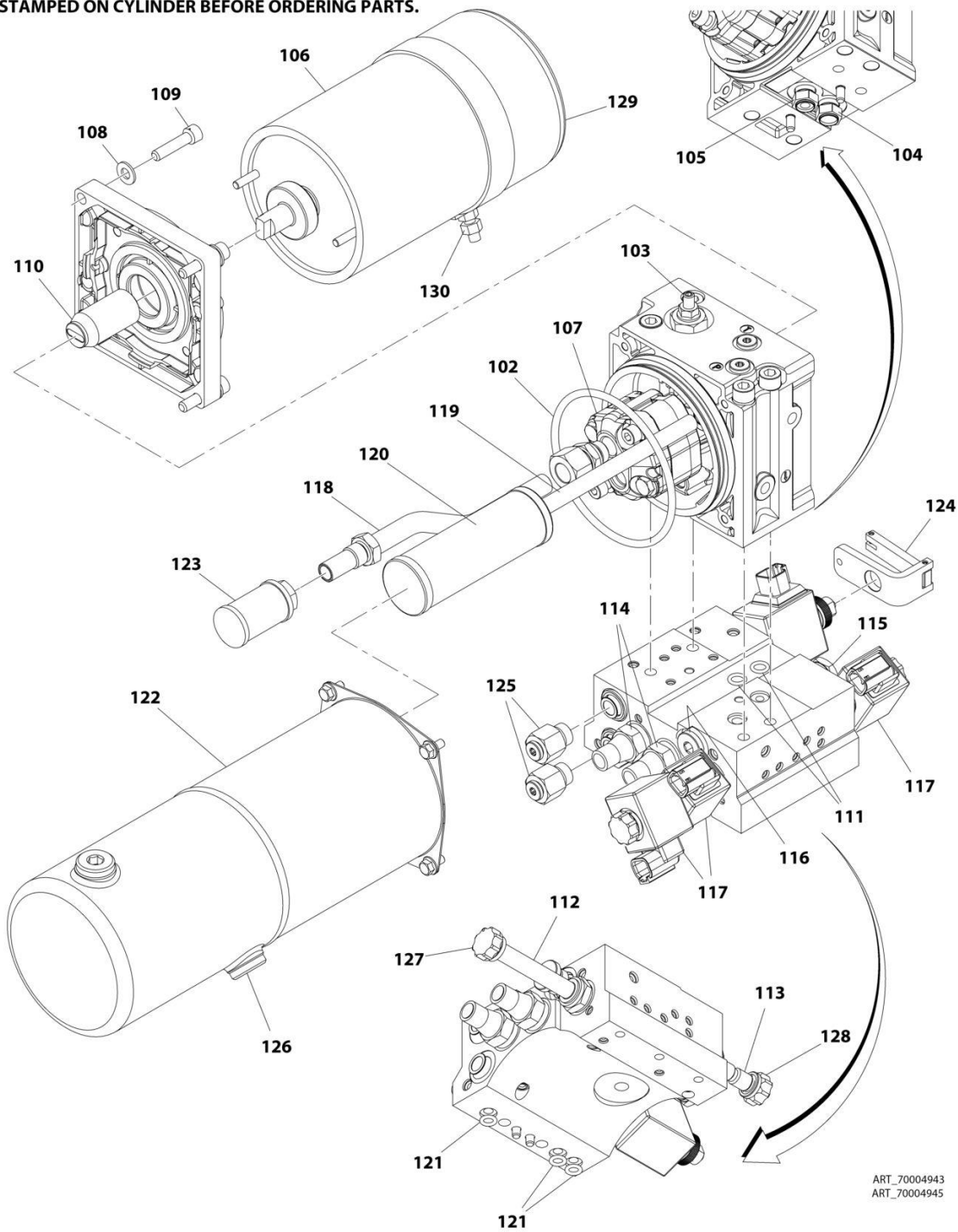
NOTE: IDENTIFY THE PART NUMBER STAMPED ON CYLINDER BEFORE ORDERING PARTS.



ART_1001131034

SECTION 5 - CYLINDER

NOTE: IDENTIFY THE PART NUMBER
STAMPED ON CYLINDER BEFORE ORDERING PARTS.



ART_70004943
ART_70004945

SECTION 5 - CYLINDER

FIGURE 5-5. LIFT CYLINDER ASSEMBLY - 2032ES WITH BIODEGRADABLE HYDRAULIC OIL (SH-PAC)

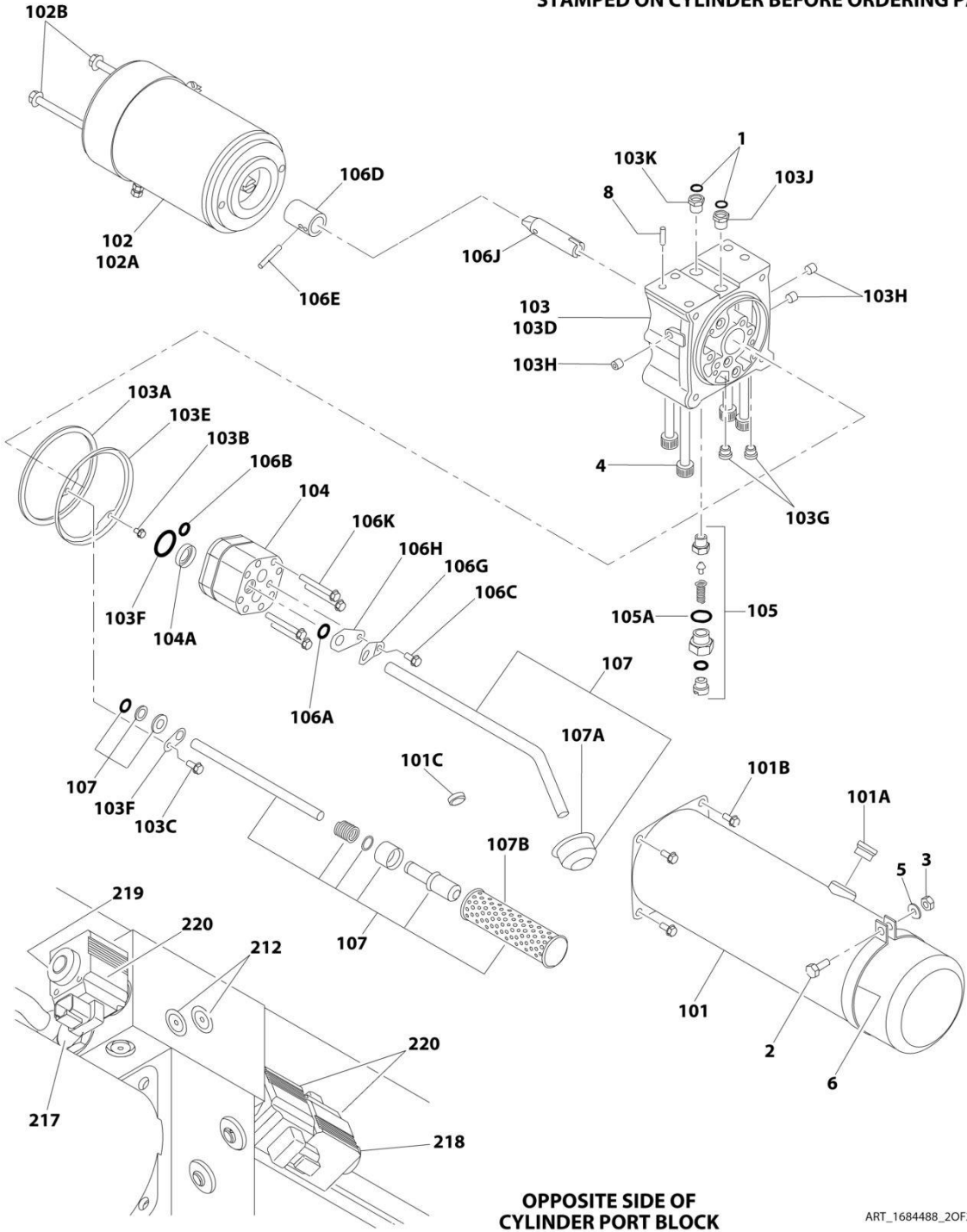
ITEM	PART NUMBER	QTY	DESCRIPTION	REV
	1001131034	Ref	LIFT CYLINDER ASSEMBLY - 2032ES WITH BIODEGRADABLE HYDRAULIC OIL (SH-PAC)	H
		Ref	Note: Original Cylinder May Have Been Replaced with Service Replacement. Identify PN Stamped on Cylinder Before Ordering Parts.	
1	70004628	1	Barrel	
2	70004629	1	Rod	
3	70004630	1	Head, Cylinder	
4	See Note	NSS	Seal, Dust (Note: Use Item 20)	
5	See Note	NSS	Seal (Note: Use Item 20)	
6	70004631	1	Bearing	
7	See Note	NSS	O-Ring (Note: Use Item 20)	
8	See Note	NSS	O-Ring (Note: Use Item 20)	
9	70004632	1	Piston	
10	See Note	NSS	Seal (Note: Use Item 20)	
11	See Note	NSS	Ring, Wear (Note: Use Item 20)	
12	See Note	NSS	O-Ring (Note: Use Item 20)	
13	70003663	1	Nut	
14	0962257	4	Bushing	
15	70004943	1	Motor/Pump/Tank Assembly (See Items 102-121 for Breakdown)	
16	See Note	NSS	O-Ring (Note: Use Item 20)	
17	70004624	2	Capscrew M10 x 40	
18	70004625	3	Capscrew M8 x 20	
19	70004626	2	Plug, Extension	
20	70004633	1	Seal Kit - Cylinder (Includes Items 4, 5, 7, 8, 10, 11, 12 & 16)	
		Ref	MOTOR/PUMP/TANK ASSEMBLY	
	70004943	1	Motor/Pump/Tank Assembly	
102	70004914	1	O-Ring	
103	70004915	1	Cartridge, Valve (Main Relief)	
104	70004916	1	Cartridge, Valve (Breather Vacuum Check)	
105	70004917	1	Cartridge, Valve (Breather Pressure Check)	
106	70004970	1	Kit, Motor (Includes motor, flange and ring)	
107	70005233	1	Kit, Pump (Includes pump and hardware)	
108	70004974	4	Washer M8	
109	70004975	4	Capscrew M8 x 60	
110	70004973	1	Shaft Coupling	
111	70004925	2	O-Ring	
112	70003028	1	Cartridge, Solenoid Valve Less Coil (Steer)	
113	70004926	1	Cartridge, Solenoid Valve Less Coil (Lift)	
114	70004927	2	Cartridge, Valve (Steer Relief)	
115	70004585	1	Cartridge, Valve (Lift Check)	
116	70004928	1	Filter 300 micron	
117	70003707	3	Coil	
118	70004941	1	Pipe, Suction	
119	70004942	1	Pipe, Return	
120	70004935	1	Filter, Bypass	
121	70004936	3	O-Ring	
122	70005239	1	Kit, Tank (Includes tank, plug, "o"-ring and screws)	
123	70005235	1	Kit, Filter (Includes strainer and seal ring)	

SECTION 5 - CYLINDER

ITEM	PART NUMBER	QTY	DESCRIPTION	REV
124	70005236	1	Kit, Solenoid Valve (Includes solenoid, coil and lever)	
125	70005237	2	Kit, Fitting (Includes adapter, seal washer and plug)	
126	70004921	1	Plug	
127	70004654	1	Nut, Coil (for Item #112)	
128	70005238	1	Nut, Retaining (for Item #113)	
129	70004971	1	Kit, Brush	
130	70004972	1	Nut M8	

SECTION 5 - CYLINDER

NOTE: IDENTIFY THE PART NUMBER STAMPED ON CYLINDER BEFORE ORDERING PARTS.



SECTION 5 - CYLINDER

FIGURE 5-6. LIFT CYLINDER ASSEMBLY - 2632ES (TEXAS HYDRAULICS)

ITEM	PART NUMBER	QTY	DESCRIPTION	REV
		Ref	LIFT CYLINDER ASSEMBLY - 2632ES (TEXAS HYDRAULICS)	
	1684488	Ref	Lift Cylinder Assembly 2632ES with Standard Hydraulic Oil	H
	1684528	Ref	Lift Cylinder Assembly 2632ES with Biodegradeable Hydraulic Oil	G
		Ref	Note: Original Cylinder May Have Been Replaced with Service Replacement. Identify PN Stamped on Cylinder Before Ordering Parts.	
1	7023577	2	O-Ring	
2	See Note	NSS	Capscrew (Note: Purchase Locally)	
3	See Note	NSS	Locknut (Note: Purchase Locally)	
4	7023589	4	Capscrew	
5	See Note	NSS	Flatwasher (Note: Purchase Locally)	
6	7023539	1	Clamp	
7	7023568	1	Power Pack Assembly - Complete (See Items 101-107B for Breakdown)	
8	70003646	2	Pin, Dowel	
8	70003645	2	Roll Pin	
9	See Note	NSS	Cylinder Assembly Only (Note: See Items 201-227 for Breakdown)	
	7023568	Ref	POWER PACK ASSEMBLY - COMPLETE	
101	7023585	1	Tank Kit (Note: Includes Tank and Items 101A-101C)	
101A	7023593	1	Plug, Fill	
101B	See Note	NSS	Screw (Note: Use Item 101)	
101C	See Note	NSS	Magnet (Note: Use Item 101)	
102	7023570	1	Motor	
102A	70000658	1	Brush Kit - 7023570 Motor	
102B	See Note	NSS	Screw (Note: Purchase Locally)	
103	7023571	1	Adapter Kit	
103A	70000335	1	O-Ring	
103B	See Note	NSS	Screw (Note: Use Item 103)	
103C	See Note	NSS	Screw (Note: Use Item 103)	
103D	See Note	NSS	Adapter (Note: Use Item 103)	
103E	See Note	NSS	Seal (Note: Use Item 252A or 252B)	
103F	See Note	NSS	Retainer (Note: Use Item 103)	
103G	2220883	2	Plug	
103H	See Note	NSS	Plug (Note: Use Item 103)	
103J	See Note	NSS	Breather 9/16-12UNC (Note: Use Item 103)	
103K	See Note	NSS	Breather 9/16-18SAE (Note: Use Item 103)	
104	7023580	1	Pump (Note: Shaft Seal is only Repair Part Available. No Other Service Parts Available - Replace Complete Pump.)	
104A	See Note	NSS	Seal, Shaft (Note: Use Item 252)	
105	7023573	1	Relief Valve Assembly	
105A	7023591	1	Sealing Washer	
106		Ref	Power Pack Miscellaneous Service Parts	
106A	See Note	NSS	Seal (Note: Use Item 7)	
106B	See Note	NSS	Seal (Note: Use Item 252)	
106C	See Note	NSS	Screw (Note: Use Item 7)	
106D	See Note	NSS	Sleeve (Note: Use Item 106J)	
106E	See Note	NSS	Roll Pin (Note: Use Item 106J)	
106F	See Note	NSS	Seal (Note: Use Item 252)	
106G	See Note	NSS	Tab, Locking (Note: Use Item 7)	
106H	See Note	NSS	Retainer, Tube (Note: Use Item 7)	

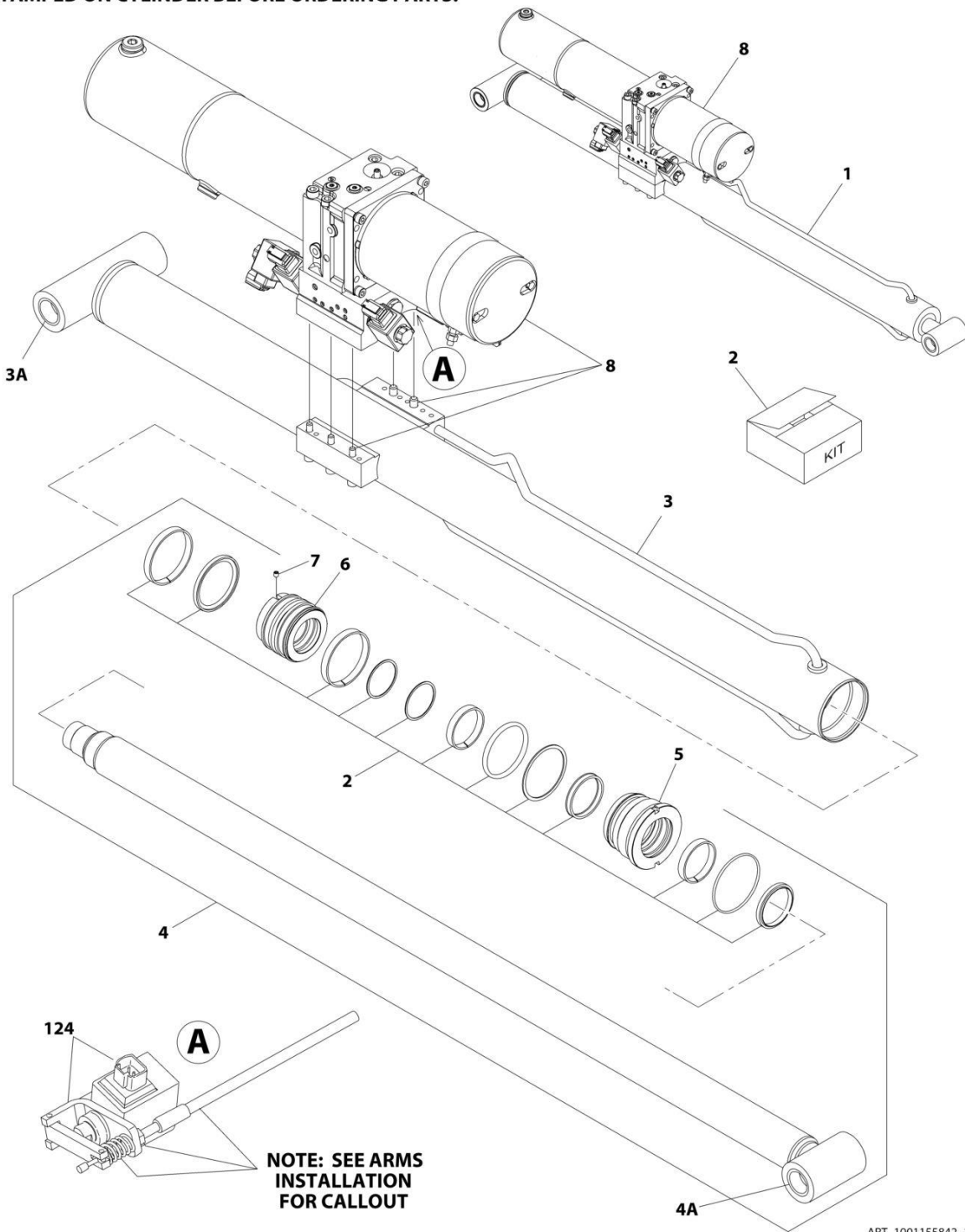
SECTION 5 - CYLINDER

ITEM	PART NUMBER	QTY	DESCRIPTION	REV
106J	7023574	1	Coupler Kit (Includes Items 106D & 106E)	
106K	See Note	NSS	Screw (Note: Use Item 7)	
107	7023586	1	Tube Kit Options	
107A	See Note	NSS	Strainer (Note: Use Item 107)	
107B	7023576	1	Filter Element (Includes Seal)	
		Ref	CYLINDER ASSEMBLY ONLY COMPONENTS	
201	See Note	NSS	O-Ring (Note: Use Item 251)	
202	See Note	NSS	O-Ring (Note: Use Item 251)	
203	See Note	NSS	O-Ring (Note: Use Item 251)	
204	See Note	NSS	Seal (Note: Use Item 251)	
205	See Note	NSS	Wiper (Note: Use Item 251)	
206	See Note	NSS	Seal (Note: Use Item 251) (Note: This is a 3 piece seal. Assembly may be required)	
207	See Note	NSS	Ring, Wear (Note: Use Item 251)	
208	See Note	NSS	Ring, Wear (Note: Use Item 251)	
210	See Note	NSS	Locknut (Note: Purchase Complete Assembly)	
211	2220883	4	Plug, Steel (SAE #4) (Not Shown)	
212	2220882	8	Plug, Steel (SAE #3)	
213	7023543	1	Valve, Proportional (Lift Down)	
214	7023542	1	Valve, Relief (Steer)	
215	0962257	2	Bushing	
216	0962257	2	Bushing	
217	7023538	1	Valve, Check	
218	7023537	1	Directional Control Valve (Steer)	
219	7023536	1	Directional Control Valve (Lift Up)	
220	70000798	3	Coil (Steer and Lift Up)	
221	70000799	1	Coil (Lift Down)	
222	7023548	1	Barrel	
223	7023547	1	Rod	
224	7023546	1	Head	
225	7023545	1	Piston	
226	7023530		Emergency Release Assembly	
		Ref	SEAL KIT OPTIONS	
251	7023544	1	Seal Kit - Cylinder (Includes Items 201-208)	
252	70001709	1	Seal Kit - Reservoir/Pump (Includes 103A, 103E, 104A, 106B & 106F)	
		Ref	MANUAL DESCENT COMPONENTS	
315	1061034	1	Cable, Pull	
315	7020218	1	T-Handle (With 1/4-20 Threads)	
315	70001878	1	T-Handle (With 5mm Threads)	
316	3321402	1	Nut, Jam 1/4-18NF	
317	4160078	1	Spring	

SECTION 5 - CYLINDER

FIGURE 5-7. LIFT CYLINDER ASSEMBLY - 2632ES WITH STANDARD HYDRAULIC OIL (SERTA)

NOTE: IDENTIFY THE PART NUMBER STAMPED ON CYLINDER BEFORE ORDERING PARTS.

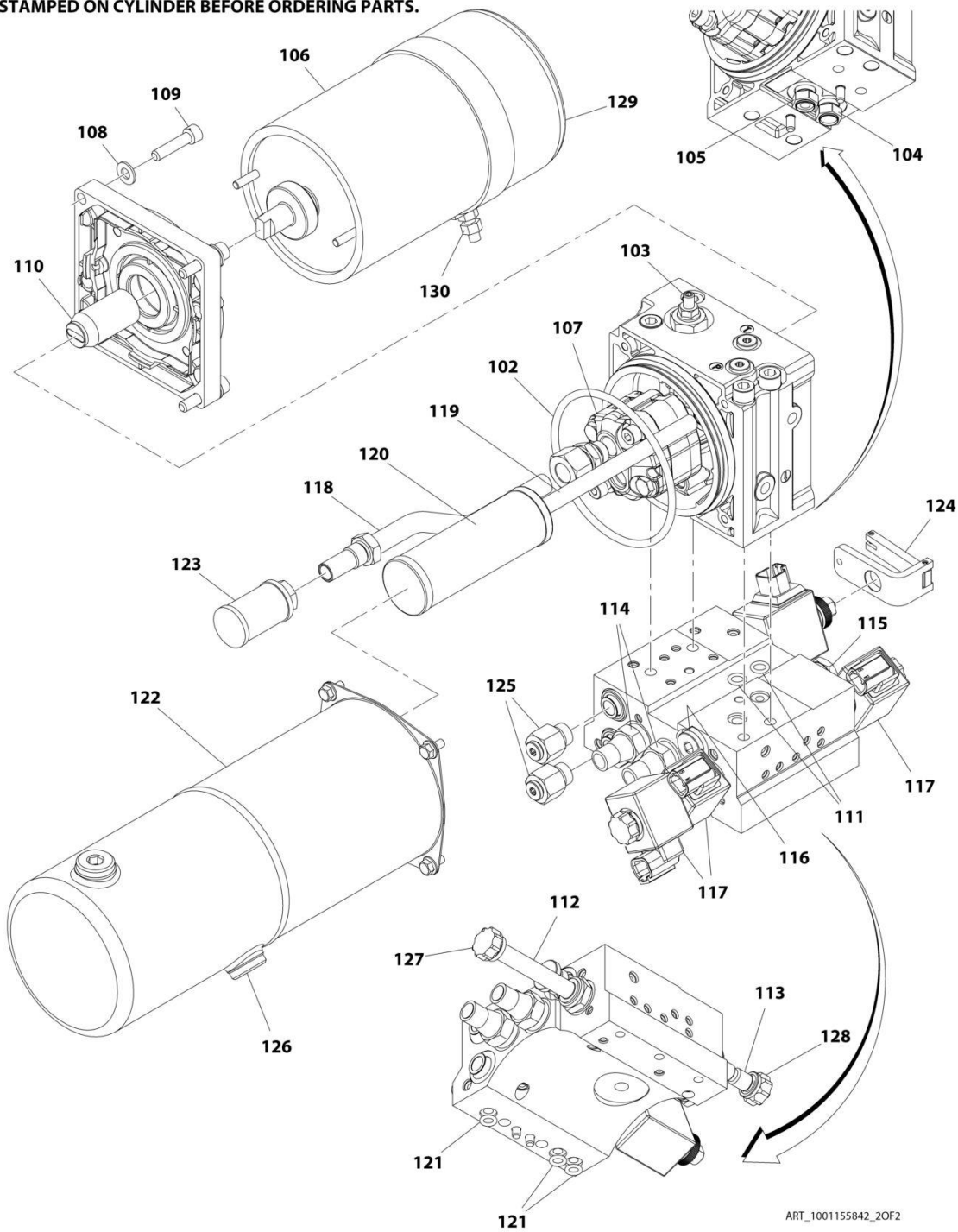


NOTE: SEE ARMS INSTALLATION FOR CALLOUT

ART_1001155842_10F2

SECTION 5 - CYLINDER

NOTE: IDENTIFY THE PART NUMBER STAMPED ON CYLINDER BEFORE ORDERING PARTS.



ART_1001155842_20F2

SECTION 5 - CYLINDER

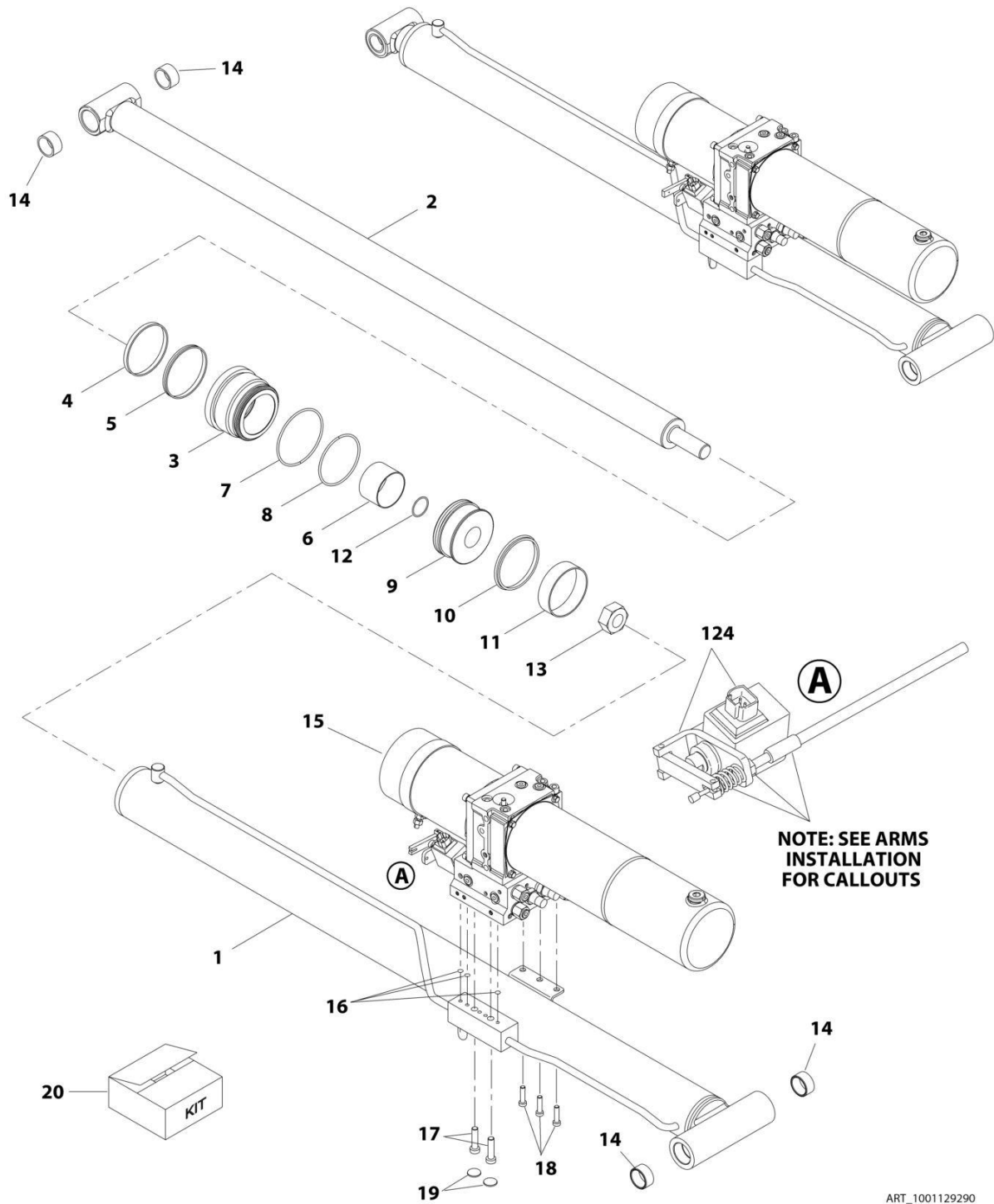
FIGURE 5-7. LIFT CYLINDER ASSEMBLY - 2632ES WITH STANDARD HYDRAULIC OIL (SERTA)

ITEM	PART NUMBER	QTY	DESCRIPTION	REV
	1001155842	Ref	LIFT CYLINDER ASSEMBLY - 2632ES WITH STANDARD HYDRAULIC OIL (SERTA)	F
		Ref	Note: Original Cylinder May Have Been Replaced with Service Replacement. Identify PN Stamped on Cylinder Before Ordering Parts.	
1	70004729	1	Cylinder Assembly Less Powerpack	
2	70004728	1	Seal Kit	
3	70004727	1	Barrel	
3A	0962257	2	Bushing	
4	70004722	1	Rod Assembly (Includes Items 2, 4A, 5, 6 & 7)	
4A	0962257	1	Bushing	
5	70006090	1	Head, Cylinder	
6	7005323	1	Piston	
7	70023915	1	Screw	
8	70004945	1	Motor/Pump/Tank Assembly (Includes Items 102-121)	
		Ref	MOTOR/PUMP/TANK ASSEMBLY	
	70004945	1	Motor/Pump/Tank Assembly	
102	70004914	1	O-Ring	
103	70004915	1	Cartridge, Valve (Main Relief)	
104	70004916	1	Cartridge, Valve (Breather Vacuum Check)	
105	70004917	1	Cartridge, Valve (Breather Pressure Check)	
106	70004970	1	Kit, Motor (Includes motor, flange and ring)	
107	70005233	1	Kit, Pump (Includes pump and hardware)	
108	70004974	4	Washer M8	
109	70004975	4	Capscrew M8 x 60	
110	70004973	1	Shaft Coupling	
111	70004925	2	O-Ring	
112	70003028	1	Cartridge, Solenoid Valve Less Coil (Steer)	
113	70004926	1	Cartridge, Solenoid Valve Less Coil (Lift)	
114	70004927	2	Cartridge, Valve (Steer Relief)	
115	70004585	1	Cartridge, Valve (Lift Check)	
116	70004928	1	Filter 300 micron	
117	70003707	3	Coil	
118	70004941	1	Pipe, Suction	
119	70004942	1	Pipe, Return	
120	70004935	1	Filter, Bypass	
121	70004936	3	O-Ring	
122	70005240	1	Kit, Tank (Includes tank, plug, "o"-ring and screws)	
123	70005235	1	Kit, Filter (Includes strainer and seal ring)	
124	70005236	1	Kit, Solenoid Valve (Includes solenoid, coil and lever)	
125	70005237	2	Kit, Fitting (Includes adapter, seal washer and plug)	
126	70004921	1	Plug	
127	70004654	1	Nut, Coil (for Item #112)	
128	70005238	1	Nut, Retaining (for Item #113)	
129	70004971	1	Kit, Brush	
130	70004972	1	Nut M8	

SECTION 5 - CYLINDER

FIGURE 5-8. LIFT CYLINDER ASSEMBLY - 2632ES WITH STANDARD HYDRAULIC OIL (SH-PAC)

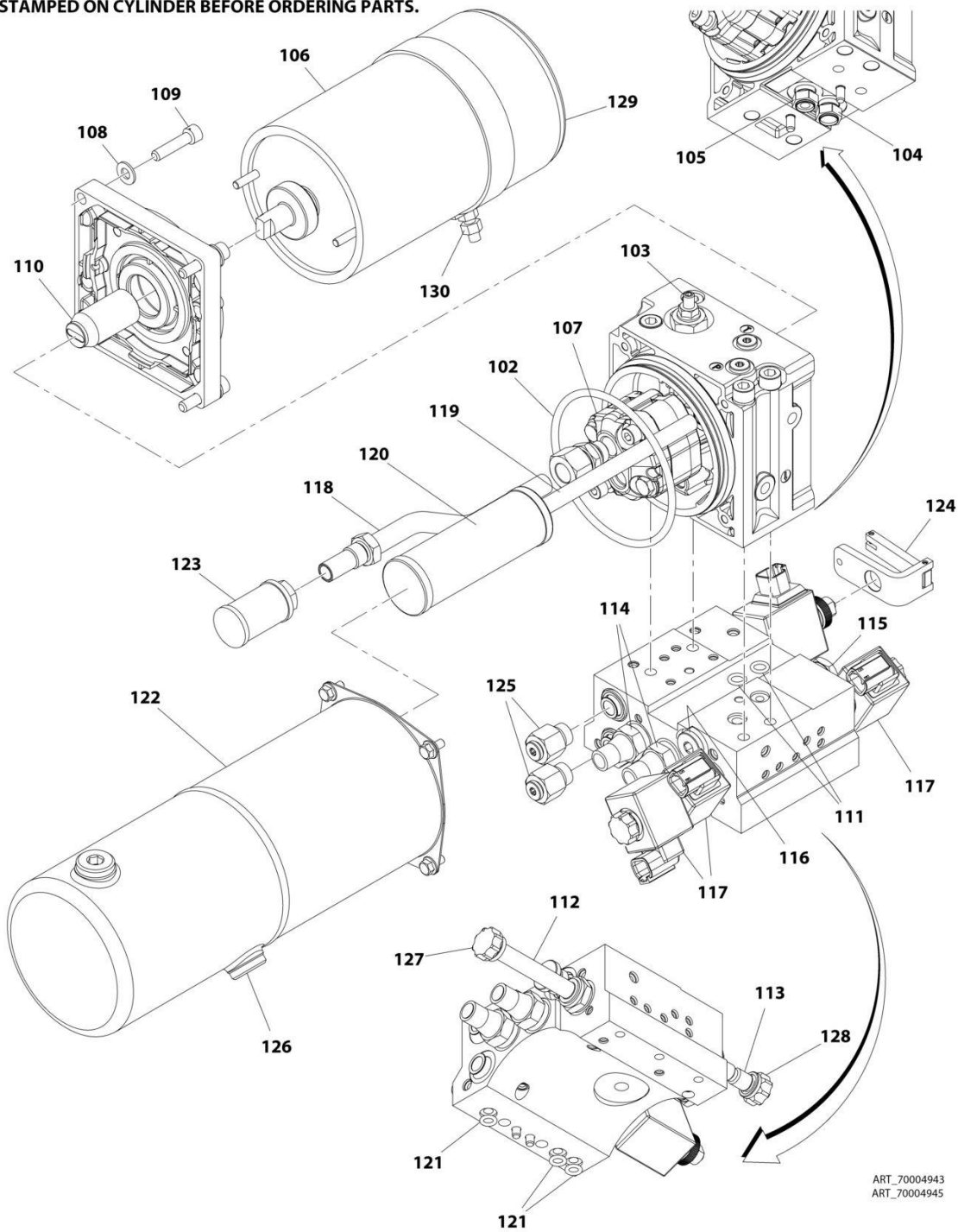
NOTE: IDENTIFY THE PART NUMBER STAMPED ON CYLINDER BEFORE ORDERING PARTS.



ART_1001129290

SECTION 5 - CYLINDER

NOTE: IDENTIFY THE PART NUMBER
STAMPED ON CYLINDER BEFORE ORDERING PARTS.



ART_70004943
ART_70004945

SECTION 5 - CYLINDER

FIGURE 5-8. LIFT CYLINDER ASSEMBLY - 2632ES WITH STANDARD HYDRAULIC OIL (SH-PAC)

ITEM	PART NUMBER	QTY	DESCRIPTION	REV
	1001129290	Ref	LIFT CYLINDER ASSEMBLY - 2632ES WITH STANDARD HYDRAULIC OIL (SH-PAC)	H
		Ref	Note: Original Cylinder May Have Been Replaced with Service Replacement. Identify PN Stamped on Cylinder Before Ordering Parts.	
1	70004628	1	Barrel	
2	70004629	1	Rod	
3	70004630	1	Head, Cylinder	
4	See Note	NSS	Seal, Dust (Note: Use Item 20)	
5	See Note	NSS	Seal (Note: Use Item 20)	
6	70004631	1	Bearing	
7	See Note	NSS	O-Ring (Note: Use Item 20)	
8	See Note	NSS	O-Ring (Note: Use Item 20)	
9	70004632	1	Piston	
10	See Note	NSS	Seal (Note: Use Item 20)	
11	See Note	NSS	Ring, Wear (Note: Use Item 20)	
12	See Note	NSS	O-Ring (Note: Use Item 20)	
13	70003663	1	Nut	
14	0962257	4	Bushing	
15	70004945	1	Motor/Pump/Tank Assembly (See Items 102-121 for Breakdown)	
16	See Note	NSS	O-Ring (Note: Use Item 20)	
17	70004624	2	Capscrew M10 x 40	
18	70004625	3	Capscrew M8 x 20	
19	70004626	2	Plug, Extension	
20	70004633	1	Seal Kit - Cylinder (Includes Items 4, 5, 7, 8, 10, 11, 12 & 16)	
		Ref	MOTOR/PUMP/TANK ASSEMBLY	
	70004945	1	Motor/Pump/Tank Assembly	
102	70004914	1	O-Ring	
103	70004915	1	Cartridge, Valve (Main Relief)	
104	70004916	1	Cartridge, Valve (Breather Vacuum Check)	
105	70004917	1	Cartridge, Valve (Breather Pressure Check)	
106	70004970	1	Kit, Motor (Includes motor, flange and ring)	
107	70005233	1	Kit, Pump (Includes pump and hardware)	
108	70004974	4	Washer M8	
109	70004975	4	Capscrew M8 x 60	
110	70004973	1	Shaft Coupling	
111	70004925	2	O-Ring	
112	70003028	1	Cartridge, Solenoid Valve Less Coil (Steer)	
113	70004926	1	Cartridge, Solenoid Valve Less Coil (Lift)	
114	70004927	2	Cartridge, Valve (Steer Relief)	
115	70004585	1	Cartridge, Valve (Lift Check)	
116	70004928	1	Filter 300 micron	
117	70003707	3	Coil	
118	70004941	1	Pipe, Suction	
119	70004942	1	Pipe, Return	
120	70004935	1	Filter, Bypass	
121	70004936	3	O-Ring	
122	70005240	1	Kit, Tank (Includes tank, plug, "o"-ring and screws)	
123	70005235	1	Kit, Filter (Includes strainer and seal ring)	
124	70005236	1	Kit, Solenoid Valve (Includes solenoid, coil and lever)	

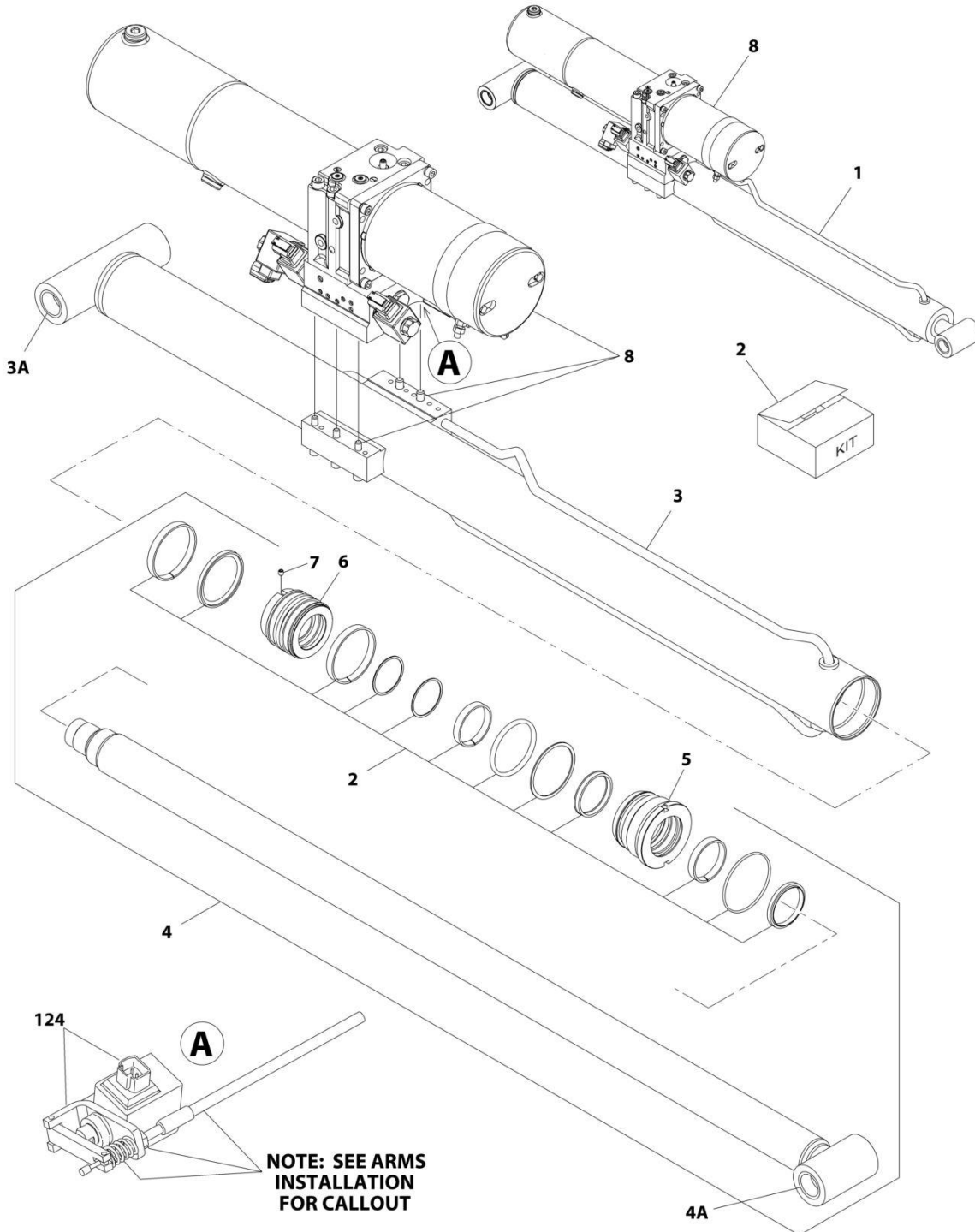
SECTION 5 - CYLINDER

ITEM	PART NUMBER	QTY	DESCRIPTION	REV
125	70005237	1	Kit, Fitting (Includes adapter, seal washer and plug)	
126	70004921	1	Plug	
127	70004654	1	Nut, Coil (for Item #112)	
128	70005238	1	Nut, Retaining (for Item #113)	
129	70004971	1	Kit, Brush	
130	70004972	1	Nut M8	

SECTION 5 - CYLINDER

FIGURE 5-9. LIFT CYLINDER ASSEMBLY - 2632ES WITH BIODEGRADABLE HYDRAULIC OIL (SERTA)

NOTE: IDENTIFY THE PART NUMBER STAMPED ON CYLINDER BEFORE ORDERING PARTS.

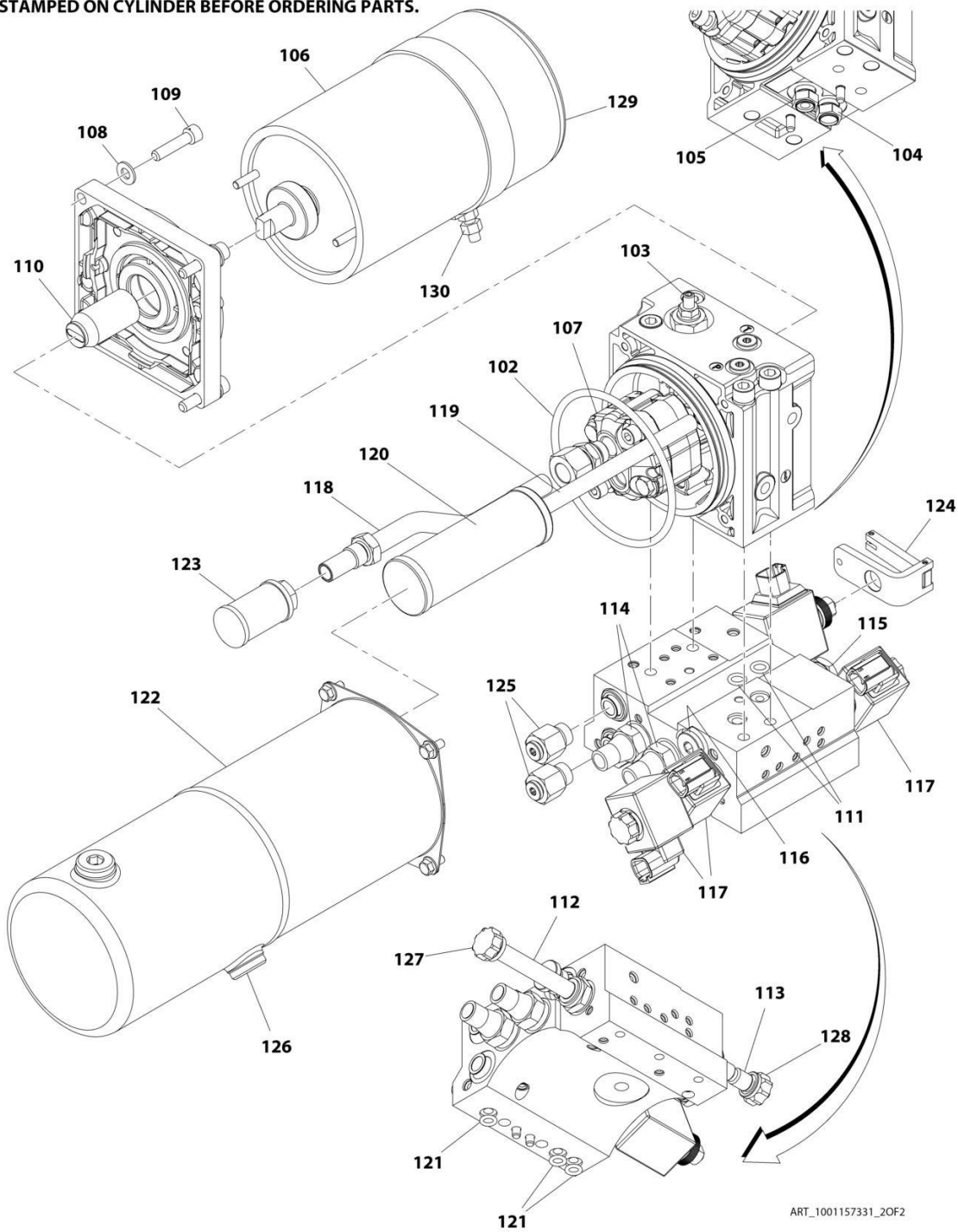


NOTE: SEE ARMS INSTALLATION FOR CALLOUT

ART_1001157331_10F2

SECTION 5 - CYLINDER

NOTE: IDENTIFY THE PART NUMBER STAMPED ON CYLINDER BEFORE ORDERING PARTS.



ART_1001157331_2OF2

SECTION 5 - CYLINDER

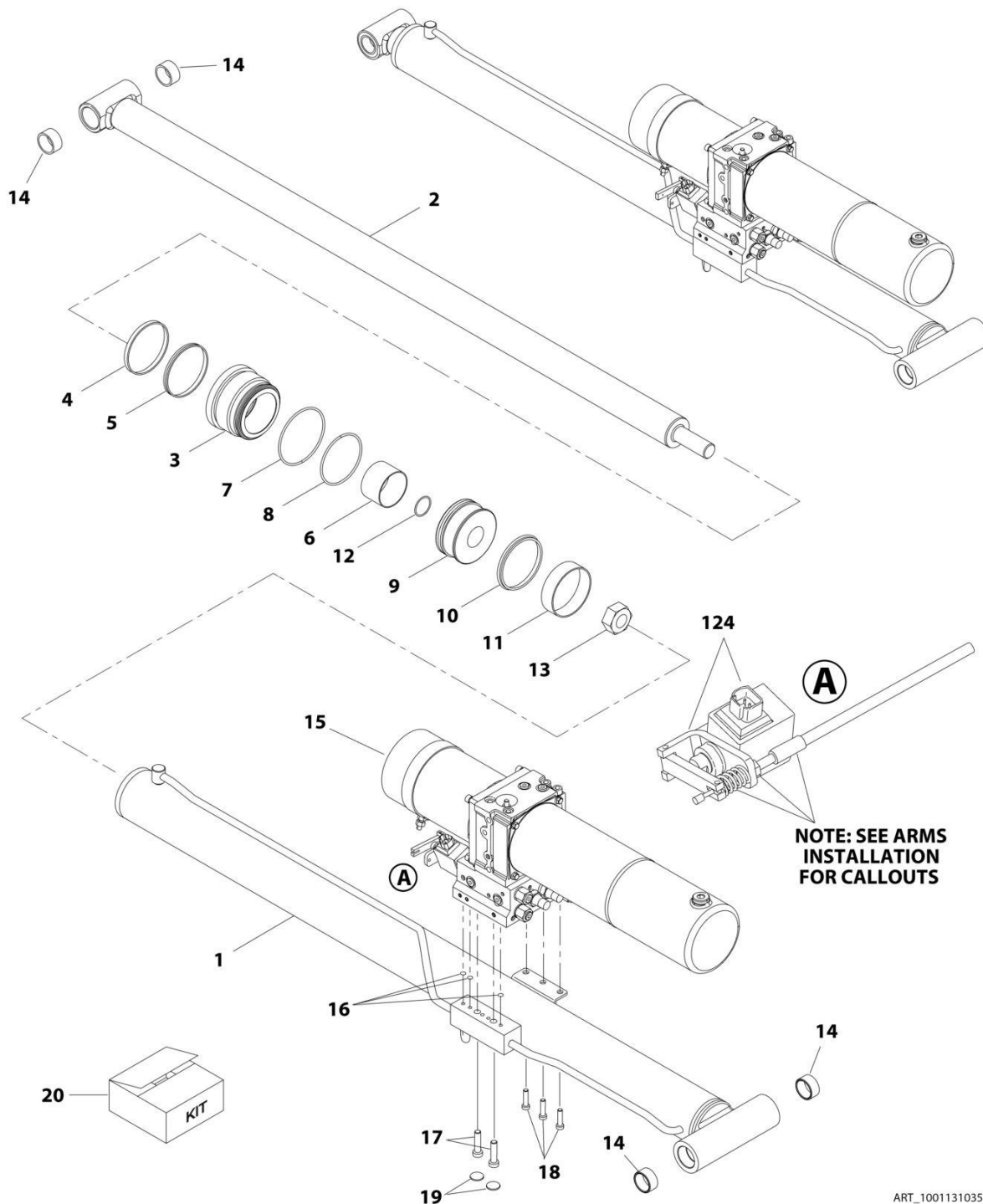
FIGURE 5-9. LIFT CYLINDER ASSEMBLY - 2632ES WITH BIODEGRADEABLE HYDRAULIC OIL (SERTA)

ITEM	PART NUMBER	QTY	DESCRIPTION	REV
	1001157331	Ref	LIFT CYLINDER ASSEMBLY - 2632ES WITH BIODEGRADEABLE HYDRAULIC OIL (SERTA)	F
		Ref	Note: Original Cylinder May Have Been Replaced with Service Replacement. Identify PN Stamped on Cylinder Before Ordering Parts.	
1	70004729	1	Cylinder Assembly Less Powerpack	
2	70004728	1	Seal Kit	
3	70004727	1	Barrel	
3A	0962257	2	Bushing	
4	70004722	1	Rod Assembly (Includes Items 2, 4A, 5, 6 & 7)	
4A	0962257	1	Bushing	
5	70006090	1	Head, Cylinder	
6	70025323	1	Piston	
7	70023915	1	Screw	
8	70004945	1	Motor/Pump/Tank Assembly (Includes Items 102-121)	
		Ref	MOTOR/PUMP/TANK ASSEMBLY	
	70004945	1	Motor/Pump/Tank Assembly	
102	70004914	1	O-Ring	
103	70004915	1	Cartridge, Valve (Main Relief)	
104	70004916	1	Cartridge, Valve (Breather Vacuum Check)	
105	70004917	1	Cartridge, Valve (Breather Pressure Check)	
106	70004970	1	Kit, Motor (Includes motor, flange and ring)	
107	70005233	1	Kit, Pump (Includes pump and hardware)	
108	70004974	4	Washer M8	
109	70004975	4	Capscrew M8 x 60	
110	70004973	1	Shaft Coupling	
111	70004925	2	O-Ring	
112	70003028	1	Cartridge, Solenoid Valve Less Coil (Steer)	
113	70004926	1	Cartridge, Solenoid Valve Less Coil (Lift)	
114	70004927	2	Cartridge, Valve (Steer Relief)	
115	70004585	1	Cartridge, Valve (Lift Check)	
116	70004928	1	Filter 300 micron	
117	70003707	3	Coil	
118	70004941	1	Pipe, Suction	
119	70004942	1	Pipe, Return	
120	70004935	1	Filter, Bypass	
121	70004936	3	O-Ring	
122	70005240	1	Kit, Tank (Includes tank, plug, "o"-ring and screws)	
123	70005235	1	Kit, Filter (Includes strainer and seal ring)	
124	70005236	1	Kit, Solenoid Valve (Includes solenoid, coil and lever)	
125	70005237	2	Kit, Fitting (Includes adapter, seal washer and plug)	
126	70004921	1	Plug	
127	70004654	1	Nut, Coil (for Item #112)	
128	70005238	1	Nut, Retaining (for Item #113)	
129	70004971	1	Kit, Brush	
130	70004972	1	Nut M8	

SECTION 5 - CYLINDER

FIGURE 5-10. LIFT CYLINDER ASSEMBLY - 2632ES WITH BIODEGRADABLE HYDRAULIC OIL (SH-PAC)

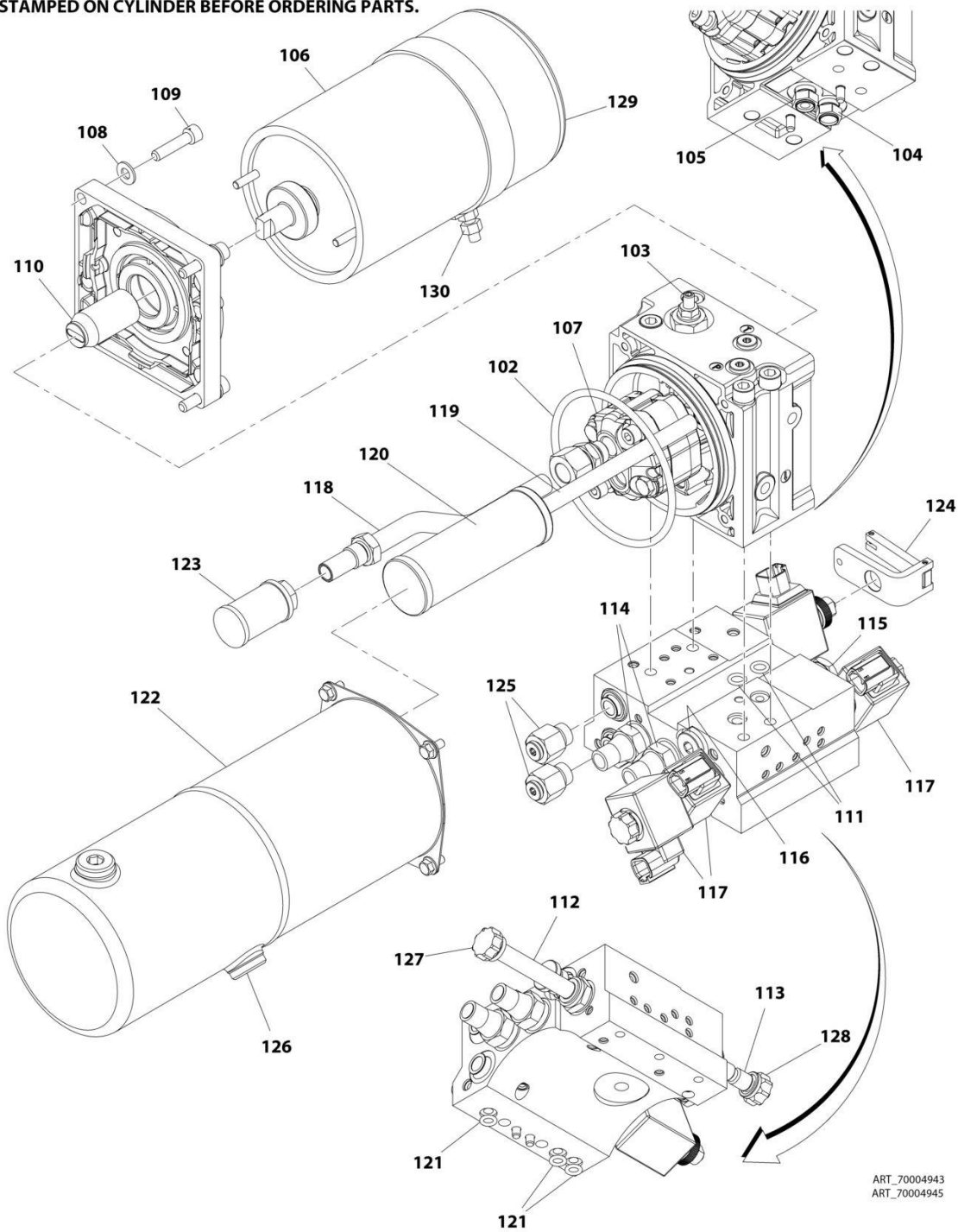
NOTE: IDENTIFY THE PART NUMBER STAMPED ON CYLINDER BEFORE ORDERING PARTS.



ART_1001131035

SECTION 5 - CYLINDER

NOTE: IDENTIFY THE PART NUMBER
STAMPED ON CYLINDER BEFORE ORDERING PARTS.



ART_70004943
ART_70004945

SECTION 5 - CYLINDER

FIGURE 5-10. LIFT CYLINDER ASSEMBLY - 2632ES WITH BIODEGRADABLE HYDRAULIC OIL (SH-PAC)

ITEM	PART NUMBER	QTY	DESCRIPTION	REV
	1001131035	Ref	LIFT CYLINDER ASSEMBLY - 2632ES WITH BIODEGRADABLE HYDRAULIC OIL (SH-PAC)	H
		Ref	Note: Original Cylinder May Have Been Replaced with Service Replacement. Identify PN Stamped on Cylinder Before Ordering Parts.	
1	70004628	1	Barrel	
2	70004629	1	Rod	
3	70004630	1	Head, Cylinder	
4	See Note	NSS	Seal, Dust (Note: Use Item 20)	
5	See Note	NSS	Seal (Note: Use Item 20)	
6	70004631	1	Bearing	
7	See Note	NSS	O-Ring (Note: Use Item 20)	
8	See Note	NSS	O-Ring (Note: Use Item 20)	
9	70004632	1	Piston	
10	See Note	NSS	Seal (Note: Use Item 20)	
11	See Note	NSS	Ring, Wear (Note: Use Item 20)	
12	See Note	NSS	O-Ring (Note: Use Item 20)	
13	70003663	1	Nut	
14	0962257	4	Bushing	
15	70004945	1	Motor/Pump/Tank Assembly (See Items 102-121 for Breakdown)	
16	See Note	NSS	O-Ring (Note: Use Item 20)	
17	70004624	2	Capscrew M10 x 40	
18	70004625	3	Capscrew M8 x 20	
19	70004626	2	Plug, Extension	
20	70004633	1	Seal Kit - Cylinder (Includes Items 4, 5, 7, 8, 10, 11, 12 & 16)	
		Ref	MOTOR/PUMP/TANK ASSEMBLY	
	70004945	1	Motor/Pump/Tank Assembly	
102	70004914	1	O-Ring	
103	70004915	1	Cartridge, Valve (Main Relief)	
104	70004916	1	Cartridge, Valve (Breather Vacuum Check)	
105	70004917	1	Cartridge, Valve (Breather Pressure Check)	
106	70004970	1	Kit, Motor (Includes motor, flange and ring)	
107	70005233	1	Kit, Pump (Includes pump and hardware)	
108	70004974	4	Washer M8	
109	70004975	4	Capscrew M8 x 60	
110	70004973	1	Shaft Coupling	
111	70004925	2	O-Ring	
112	70003028	1	Cartridge, Solenoid Valve Less Coil (Steer)	
113	70004926	1	Cartridge, Solenoid Valve Less Coil (Lift)	
114	70004927	2	Cartridge, Valve (Steer Relief)	
115	70004585	1	Cartridge, Valve (Lift Check)	
116	70004928	1	Filter 300 micron	
117	70003707	3	Coil	
118	70004941	1	Pipe, Suction	
119	70004942	1	Pipe, Return	
120	70004935	1	Filter, Bypass	
121	70004936	3	O-Ring	
122	70005240	1	Kit, Tank (Includes tank, plug, "o"-ring and screws)	
123	70005235	1	Kit, Filter (Includes strainer and seal ring)	

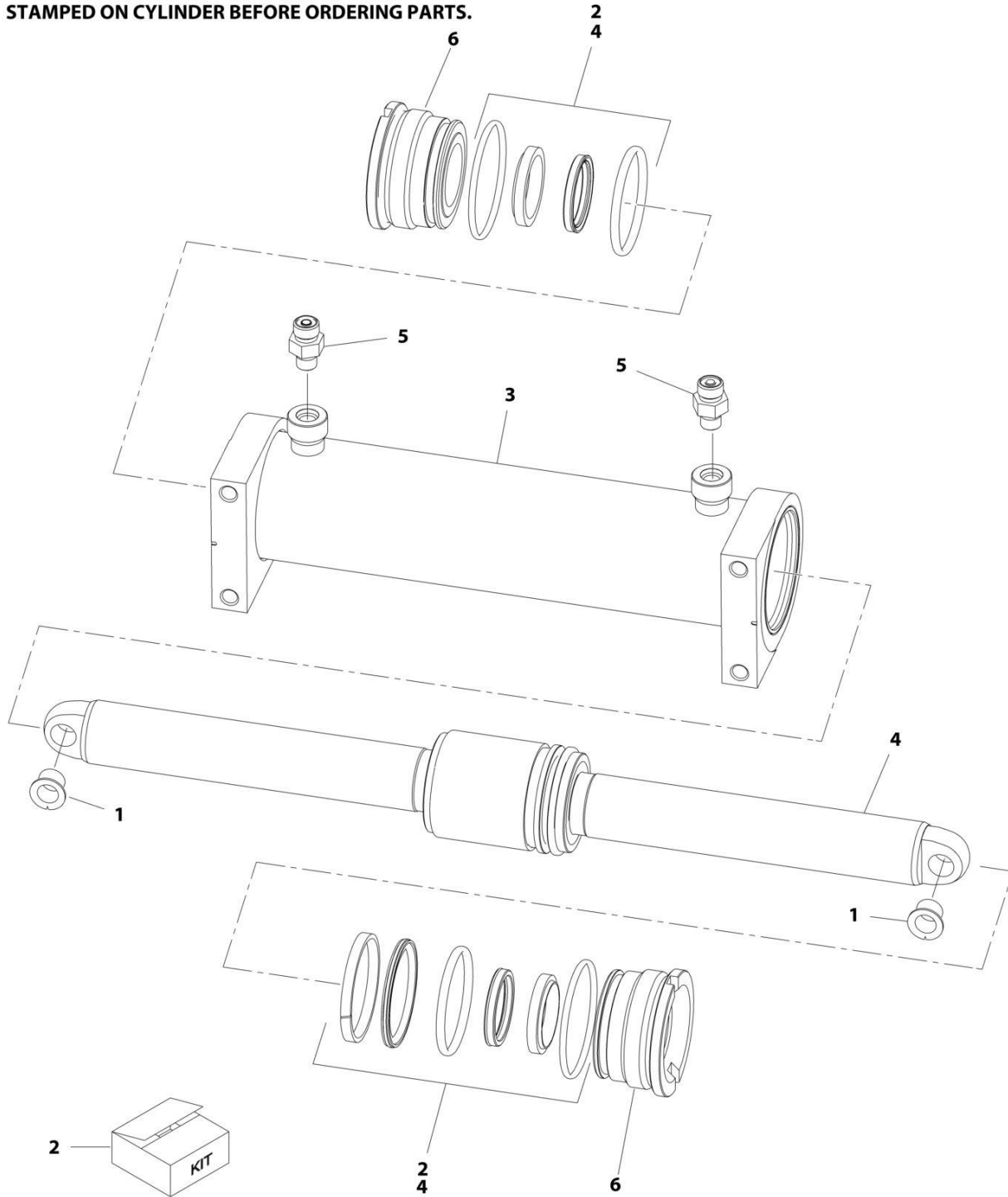
SECTION 5 - CYLINDER

ITEM	PART NUMBER	QTY	DESCRIPTION	REV
124	70005236	1	Kit, Solenoid Valve (Includes solenoid, coil and lever)	
125	70005237	2	Kit, Fitting (Includes adapter, seal washer and plug)	
126	70004921	1	Plug	
127	70004654	1	Nut, Coil (for Item #112)	
128	70005238	1	Nut, Retaining (for Item #113)	
129	70004971	1	Kit, Brush	
130	70004972	1	Nut M8	

SECTION 5 - CYLINDER

FIGURE 5-11. STEER CYLINDER ASSEMBLY (SERTA)

**NOTE: IDENTIFY THE PART NUMBER
STAMPED ON CYLINDER BEFORE ORDERING PARTS.**



ART_1001177435

SECTION 5 - CYLINDER

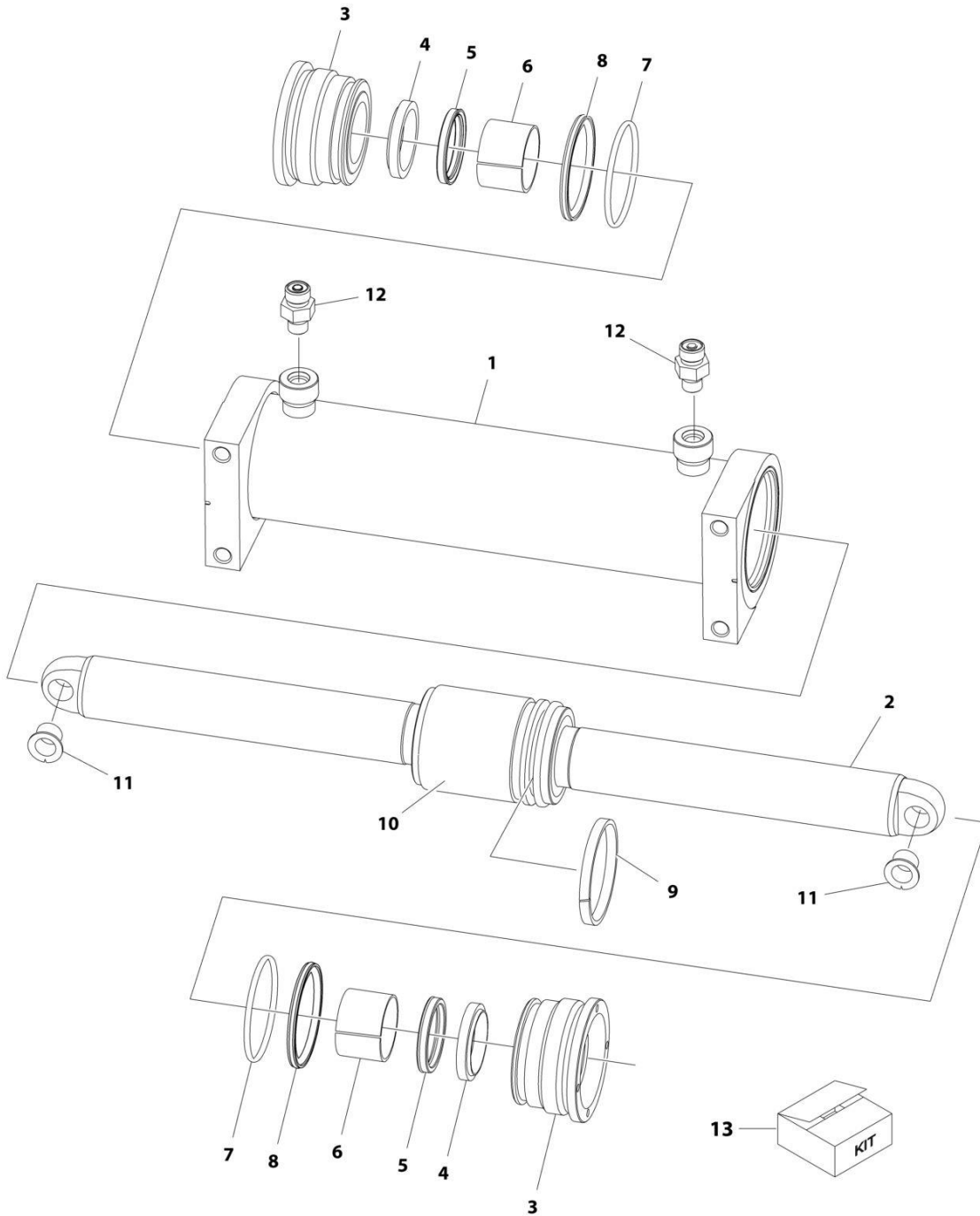
FIGURE 5-11. STEER CYLINDER ASSEMBLY (SERTA)

ITEM	PART NUMBER	QTY	DESCRIPTION	REV
	1001177435	Ref	STEER CYLINDER ASSEMBLY (SERTA)	B
		Ref	Note: Original Cylinder May Have Been Replaced with Service Replacement. Identify PN Stamped on Cylinder Before Ordering Parts.	
1	0440259	2	Bearing, Flange	
2	70004779	1	Seal Kit - Cylinder	
3	70004778	1	Barrel, Cylinder	
4	70004777	1	Rod, Cylinder	
5	2110404	2	Fitting, Straight ORFS/ORB	
6	70006342	2	Head	

SECTION 5 - CYLINDER

FIGURE 5-12. STEER CYLINDER ASSEMBLY (SH-PAC)

NOTE: IDENTIFY THE PART NUMBER STAMPED ON CYLINDER BEFORE ORDERING PARTS.



ART_1001179447

SECTION 5 - CYLINDER

FIGURE 5-12. STEER CYLINDER ASSEMBLY (SH-PAC)

ITEM	PART NUMBER	QTY	DESCRIPTION	REV
	1001179447	Ref	STEER CYLINDER ASSEMBLY (SH-PAC)	A
		Ref	Note: Original Cylinder May Have Been Replaced with Service Replacement. Identify PN Stamped on Cylinder Before Ordering Parts.	
1	70005421	1	Barrel	
2	70005420	1	Rod	
3	70004241	2	Head	
4	See Note	NSS	Wiper (Note: Use Item 13)	
5	See Note	NSS	Seal, Rod (Note: Use Item 13)	
6	See Note	NSS	Ring, Wear (Note: Use Item 13)	
7	See Note	NSS	O-Ring (Note: Use Item 13)	
8	See Note	NSS	Ring, Back-up (Note: Use Item 13)	
9	See Note	NSS	Seal, Piston (Note: Use Item 13)	
10	70005419	1	Spacer	
11	0440259	2	Bearing, Flange	
12	2110404	2	Fitting, Straight ORFS/ORB	
13	70004239	1	Seal Kit - 1001179447 Cylinder (Includes Items 4-9)	

SECTION 6 - HYDRAULIC

SECTION 6 - HYDRAULIC

FIGURE 6-1. HYDRAULIC DIAGRAM LIST

ITEM	PART NUMBER	QTY	DESCRIPTION	REV
		Ref	HYDRAULIC DIAGRAM LIST	
		Ref	Note: For hoses and fittings associated with steering, see Steering Installation.	
	2792599	Ref	Hydraulic Schematic - USA Built Machines (Not Shown - See Service Manual)	
	1001143663	Ref	Hydraulic Schematic - China Built Machines (Not Shown - See Service Manual)	

SECTION 7 - ELECTRICAL

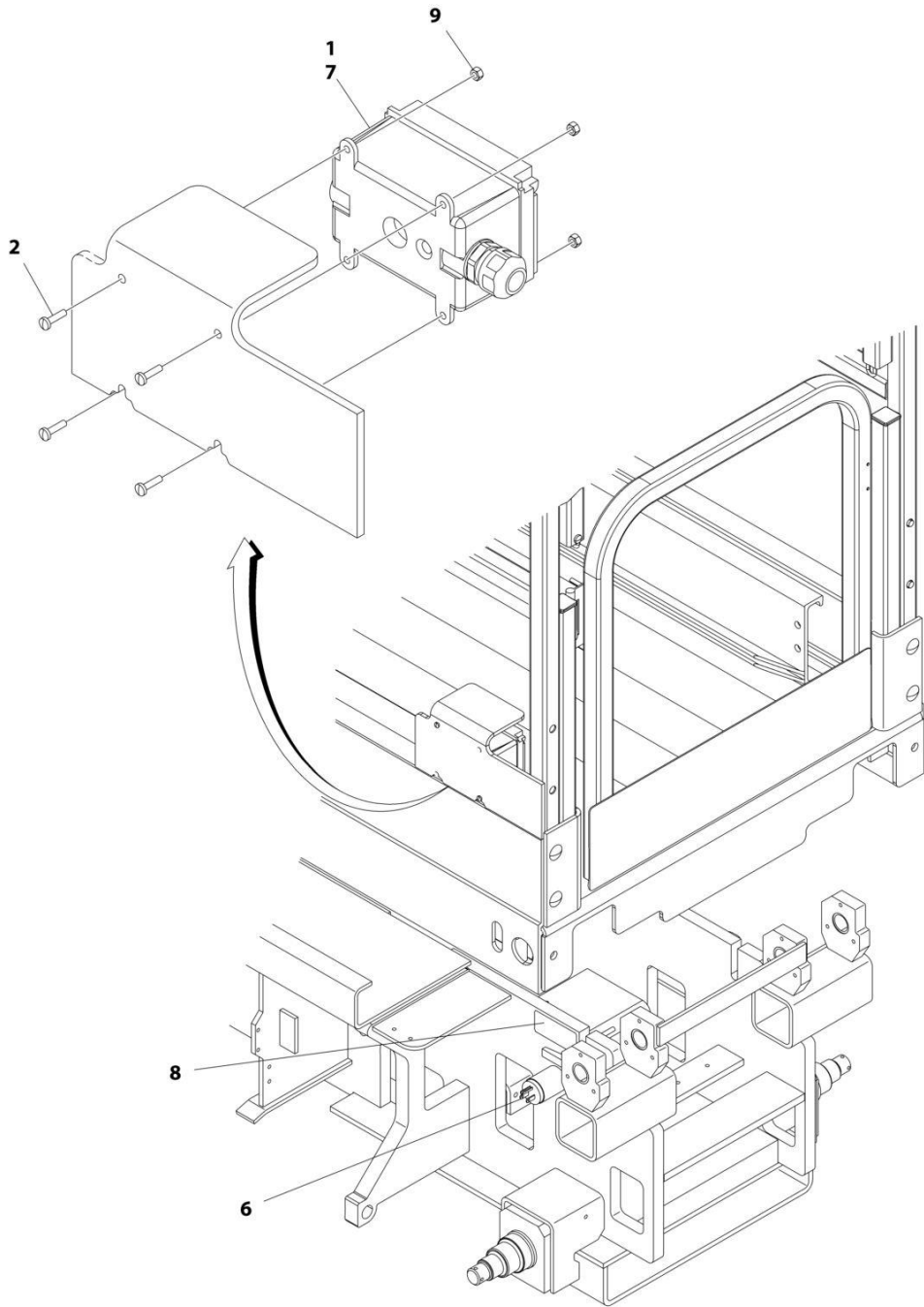
SECTION 7 - ELECTRICAL

FIGURE 7-1. ELECTRICAL DIAGRAM LIST

ITEM	PART NUMBER	QTY	DESCRIPTION	REV
		Ref	ELECTRICAL DIAGRAM LIST	
		Ref	Note: See Service Manual for schematic. For information on diagrams, contact JLG Service Parts Department.	
	0275487	Ref	AC to Platform Electrical Diagram - 110 IEC Yellow (CE Spec Only)	
	0275488	Ref	AC to Platform Electrical Diagram - 220V IEC Blue (CE Spec Only)	
	0275486	Ref	AC to Platform Electrical Diagram - 220V AFSINT107 (CE Spec Only)	
	1001162447	Ref	AC to Platform Electrical Diagram - 220V CEE7 Side Ground (CE Spec Only)	
	1001162449	Ref	AC to Platform Electrical Diagram - 220V CEE7 Post Ground (CE Spec Only)	
	1001115126	Ref	Chassis Harness Electrical Diagram	
	1001166759	Ref	Electrical Schematic (Not Shown - See Service Manual)	

SECTION 7 - ELECTRICAL

FIGURE 7-2. AC BOX AT PLATFORM INSTALLATION - 110V GFI



ART_0272839

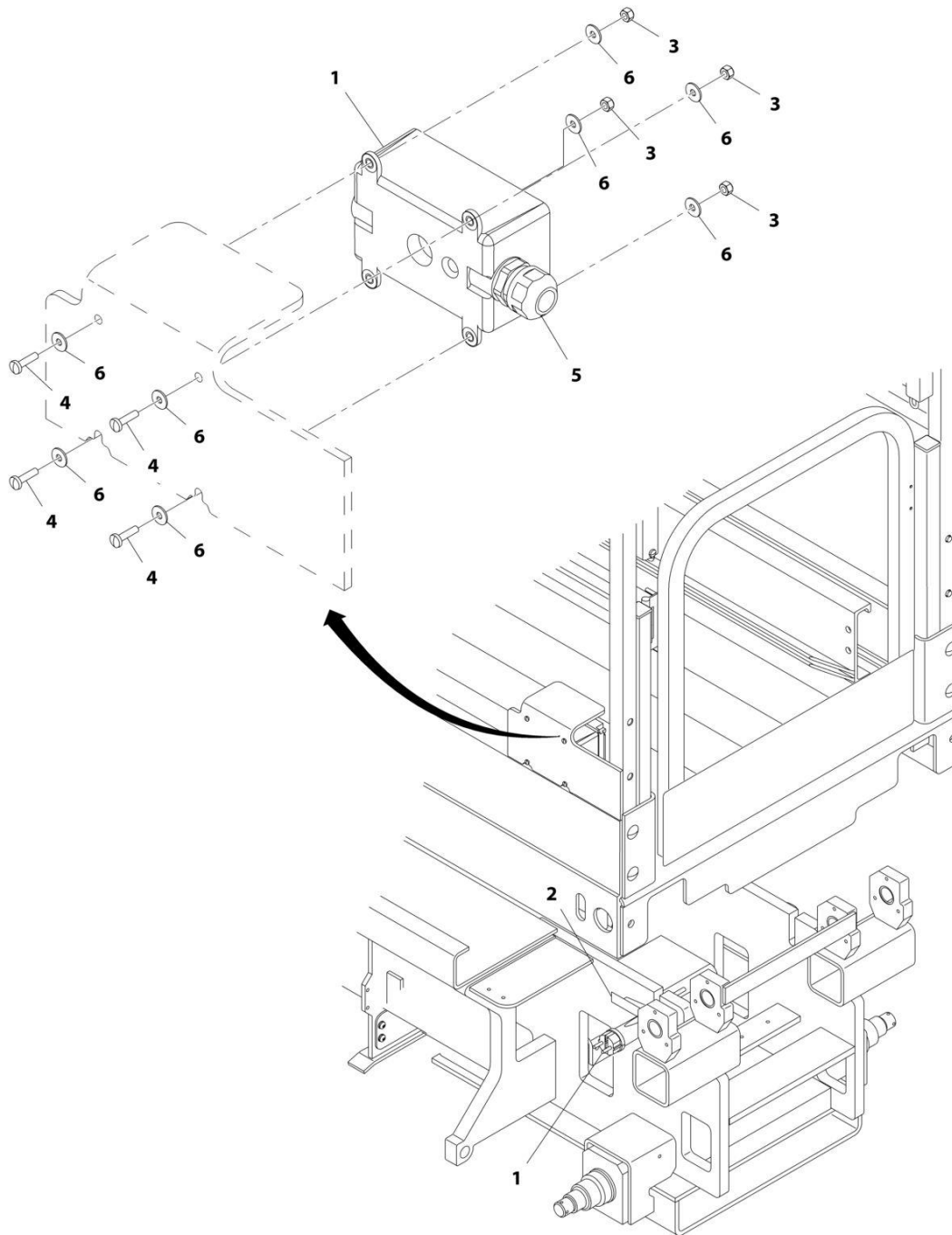
SECTION 7 - ELECTRICAL

FIGURE 7-2. AC BOX AT PLATFORM INSTALLATION - 110V GFI

ITEM	PART NUMBER	QTY	DESCRIPTION	REV
	0272839	Ref	AC BOX AT PLATFORM INSTALLATION - 110V GFI	I
1	2902431	1	Receptacle Box Kit - 110V GFI (See RECEPTACLE BOX KIT - 110V GFI for Breakdown)	
2	4010408	4	Screw M4 x 16	
6	4460138	1	Plug, Male	
7	4460315	3	Terminal	
8	1703464	1	Decal - 120V-60Hz AC Power to Platform	
9	3290405	4	Nut M4	

SECTION 7 - ELECTRICAL

FIGURE 7-3. AC BOX AT PLATFORM INSTALLATION - 220V CEE7 SIDE GRD (ANSI EXPORT SPEC ONLY)



ART_1001162447

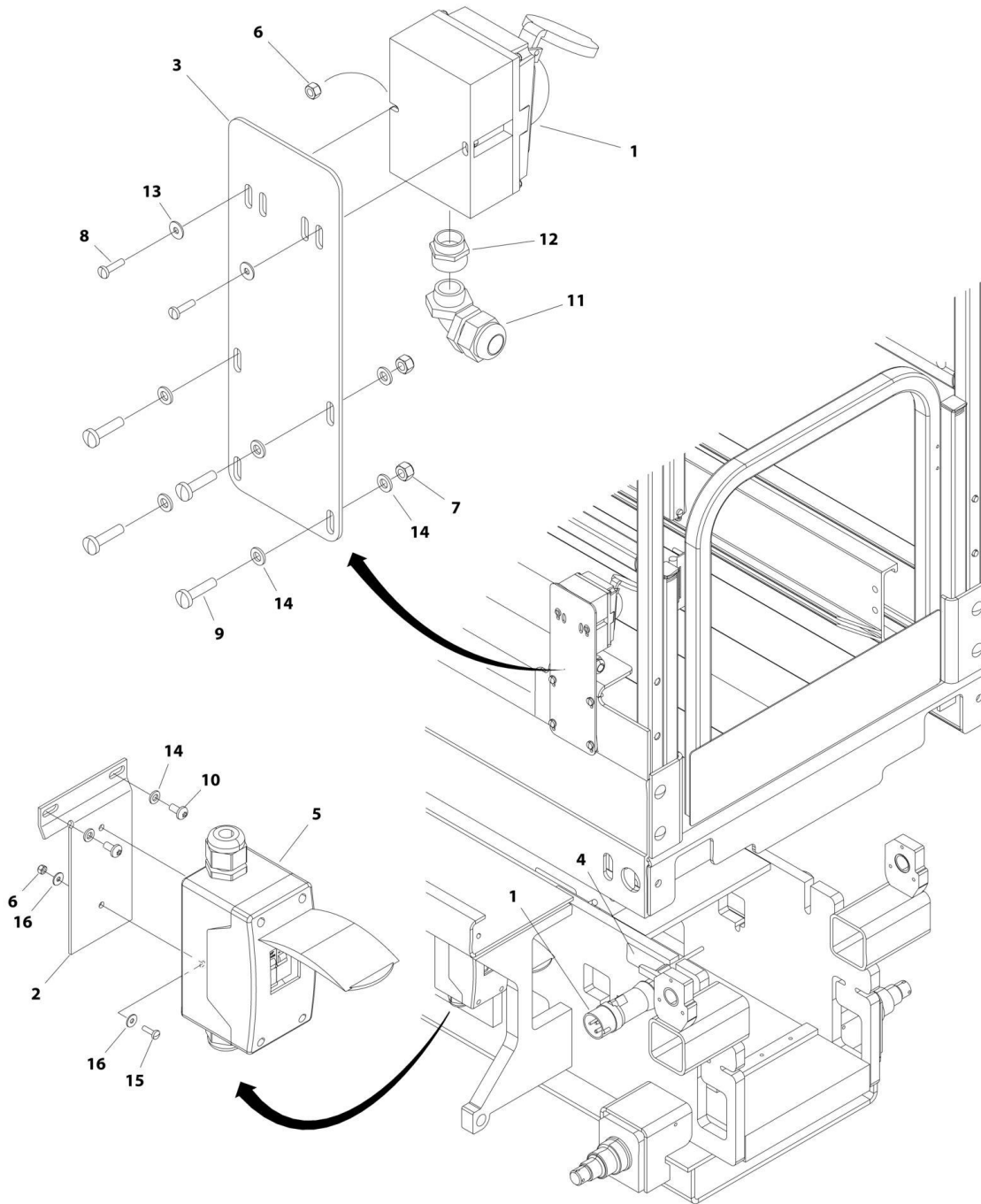
SECTION 7 - ELECTRICAL

FIGURE 7-3. AC BOX AT PLATFORM INSTALLATION - 220V CEE7 SIDE GRD (ANSI EXPORT SPEC ONLY)

ITEM	PART NUMBER	QTY	DESCRIPTION	REV
	1001211593	Ref	AC BOX AT PLATFORM INSTALLATION - 220V CEE7 SIDE GRD (ANSI EXPORT SPEC ONLY)	A
1	0275453	1	Receptacle Box Kit - 220V CEE7 Side Ground (See RECEPTACLE BOX KIT - 220V CEE7 SIDE GROUND for Breakdown)	
2	3252507	1	Decal - 220V-50/60Hz	
3	3290405	4	Nut M4	
4	4010408	4	Screw M4 x 16	
5	4460662	1	Connector, Strain Relief	
6	1001091102	8	Washer M4	

SECTION 7 - ELECTRICAL

FIGURE 7-4. AC BOX AT PLATFORM INSTALLATION - 110V IEC YELLOW (CE SPEC ONLY)



ART_0275487

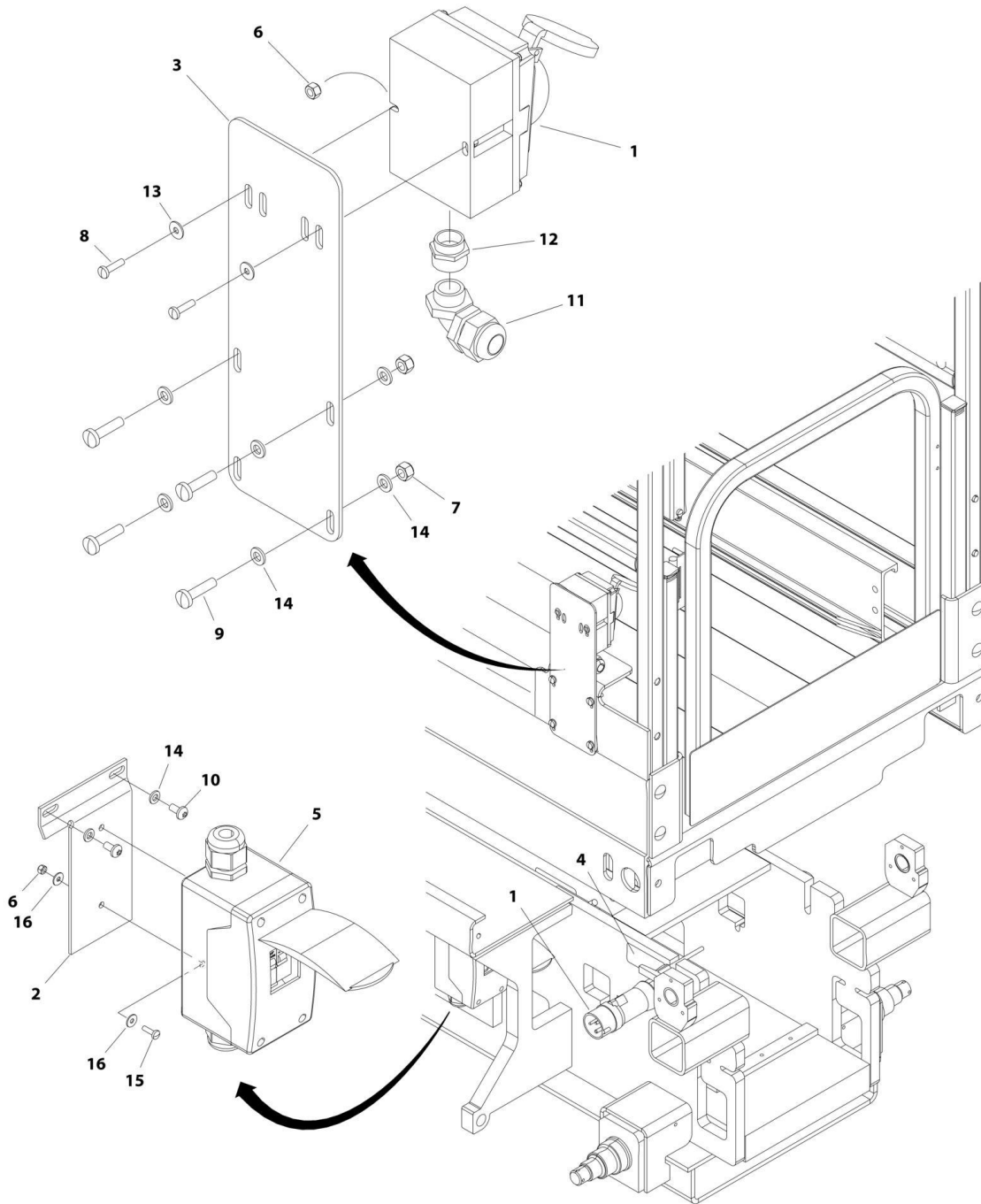
SECTION 7 - ELECTRICAL

FIGURE 7-4. AC BOX AT PLATFORM INSTALLATION - 110V IEC YELLOW (CE SPEC ONLY)

ITEM	PART NUMBER	QTY	DESCRIPTION	REV
	0275487	Ref	AC BOX AT PLATFORM INSTALLATION - 110V IEC YELLOW (CE SPEC ONLY)	E
1	0275216	1	Receptacle Box Kit - 110V IEC Yellow (See RECEPTACLE BOX KIT - 110V IEC YELLOW for Breakdown)	
2	0903566	1	Bracket	
3	0903569	1	Bracket	
4	1703464	1	Decal - 120V-60Hz	
5	2902541	1	Breaker Box Kit (See BREAKER BOX KIT WITH TWO BREAKERS - CE SPEC ONLY for Breakdown)	
6	3290405	4	Nut M4	
7	3290605	4	Nut M6	
8	4010408	2	Screw M4 x 16	
9	4010612	4	Screw M6 x 25	
10	4191706	2	Screw M6 x 12	
11	4461257	1	Connector, Strain Relief	
12	4461258	1	Adapter	
13	4811400	2	Washer M4	
14	4811700	10	Washer M6	
15	1001101540	2	Screw M4 x 14	
16	1001091102	4	Washer M4	

SECTION 7 - ELECTRICAL

FIGURE 7-5. AC BOX AT PLATFORM INSTALLATION - 220V IEC BLUE (CE SPEC ONLY)



ART_0275488

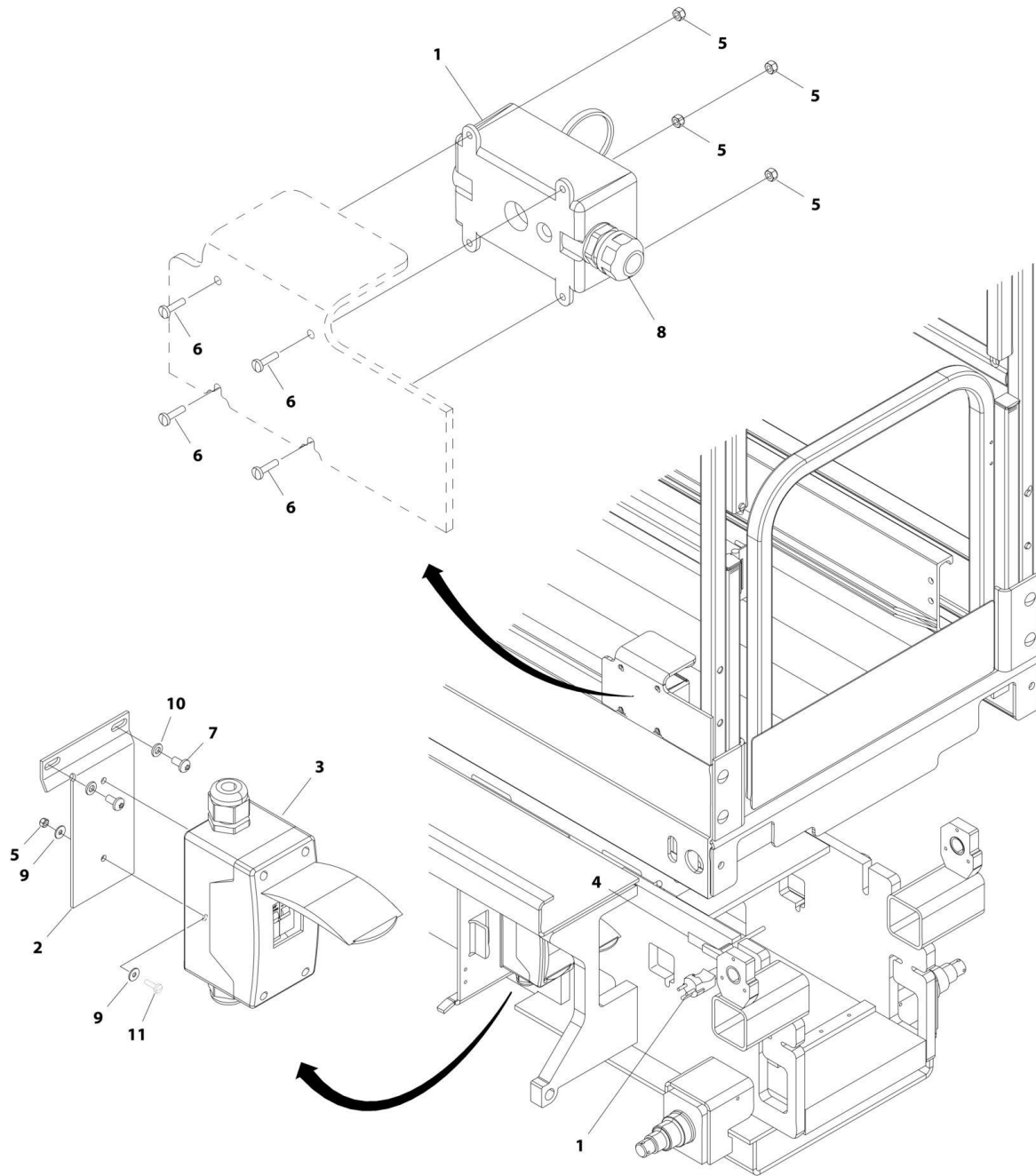
SECTION 7 - ELECTRICAL

FIGURE 7-5. AC BOX AT PLATFORM INSTALLATION - 220V IEC BLUE (CE SPEC ONLY)

ITEM	PART NUMBER	QTY	DESCRIPTION	REV
	0275488	Ref	AC BOX AT PLATFORM INSTALLATION - 220V IEC BLUE (CE SPEC ONLY)	E
1	0275217	1	Receptacle Box Kit - 220V IEC Blue (See RECEPTACLE BOX KIT - 220V IEC BLUE for Breakdown)	
2	0903566	1	Bracket	
3	0903569	1	Bracket	
4	3252507	1	Decal - 220V-50/60Hz	
5	2902541	1	Breaker Box Kit (See BREAKER BOX KIT WITH TWO BREAKERS - CE SPEC ONLY for Breakdown)	
6	3290405	4	Nut M4	
7	3290605	4	Nut M6	
8	4010408	2	Screw M4 x 16	
9	4010612	4	Screw M6 x 25	
10	4191706	2	Screw M6 x 12	
11	4461257	1	Connector, Strain Relief	
12	4461258	1	Adapter	
13	4811400	2	Washer M4	
14	4811700	10	Washer M6	
15	1001101540	2	Screw M4 x 14	
16	1001091102	4	Washer M4	

SECTION 7 - ELECTRICAL

FIGURE 7-6. AC BOX AT PLATFORM INSTALLATION - 220V AFSINT107 (CE SPEC ONLY)



ART_0275486

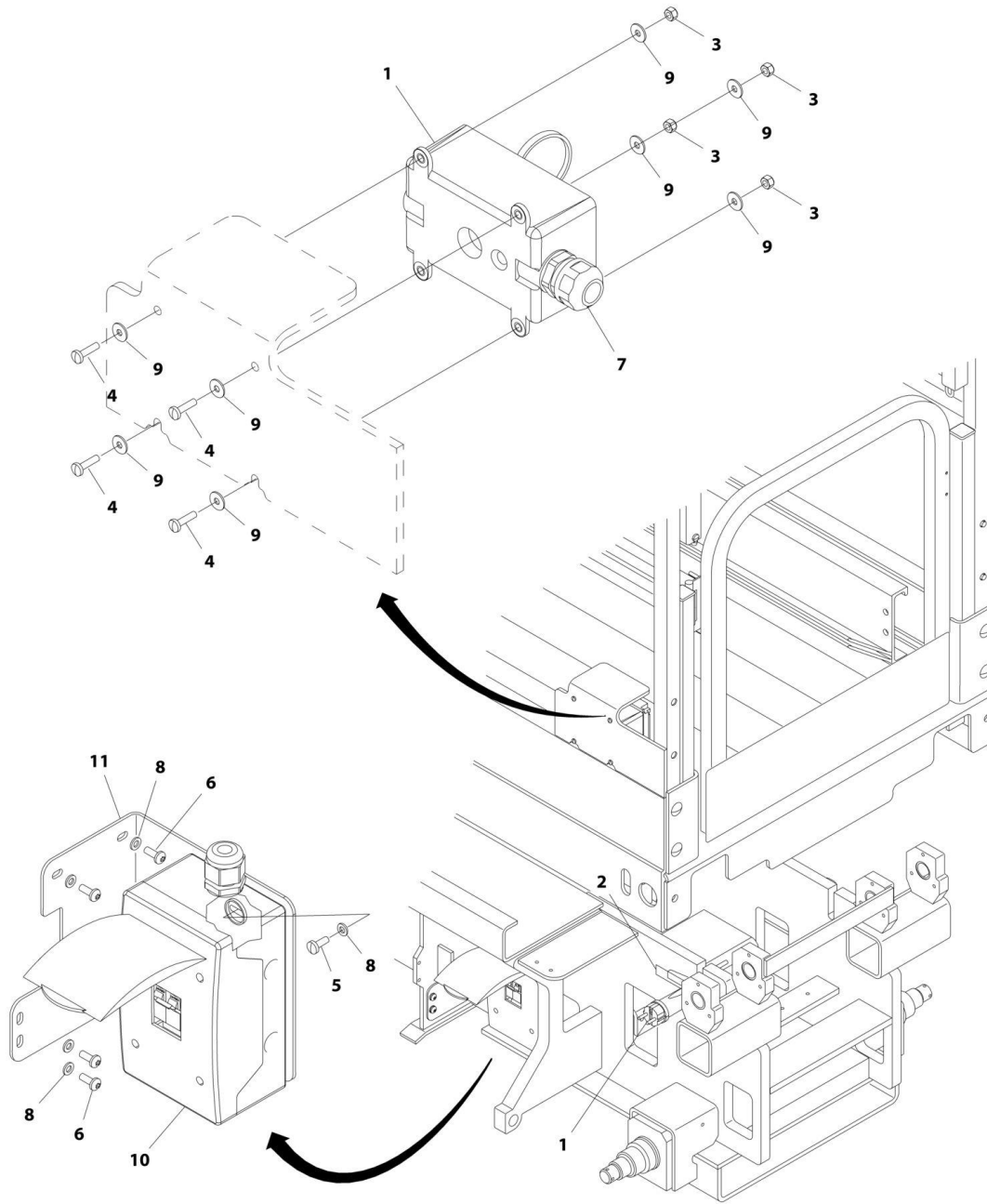
SECTION 7 - ELECTRICAL

FIGURE 7-6. AC BOX AT PLATFORM INSTALLATION - 220V AFSINT107 (CE SPEC ONLY)

ITEM	PART NUMBER	QTY	DESCRIPTION	REV
	0275486	Ref	AC BOX AT PLATFORM INSTALLATION - 220V AFSINT107 (CE SPEC ONLY)	E
1	0275454	1	Receptacle Box Kit - 220V AFSINT107 (See RECEPTACLE BOX KIT - 220V AFSINT (CE SPEC) for Breakdown)	
2	0903566	1	Bracket	
3	2902541	1	Breaker Box Kit (See BREAKER BOX KIT WITH TWO BREAKERS - CE SPEC ONLY for Breakdown)	
4	3252507	1	Decal - 220V/50-60Hz	
5	3290405	6	Nut M4	
6	4010408	4	Screw M4 x 16	
7	4191706	2	Screw M6 x 12	
8	4460662	1	Connector, Strain Relief	
9	1001091102	2	Washer M4	
10	4811700	2	Washer M6	
11	1001101540	2	Screw M4 x 14	

SECTION 7 - ELECTRICAL

FIGURE 7-7. AC BOX AT PLATFORM INSTALLATION - 220V CEE7 SIDE GRD (CE SPEC ONLY)



ART_1001162447

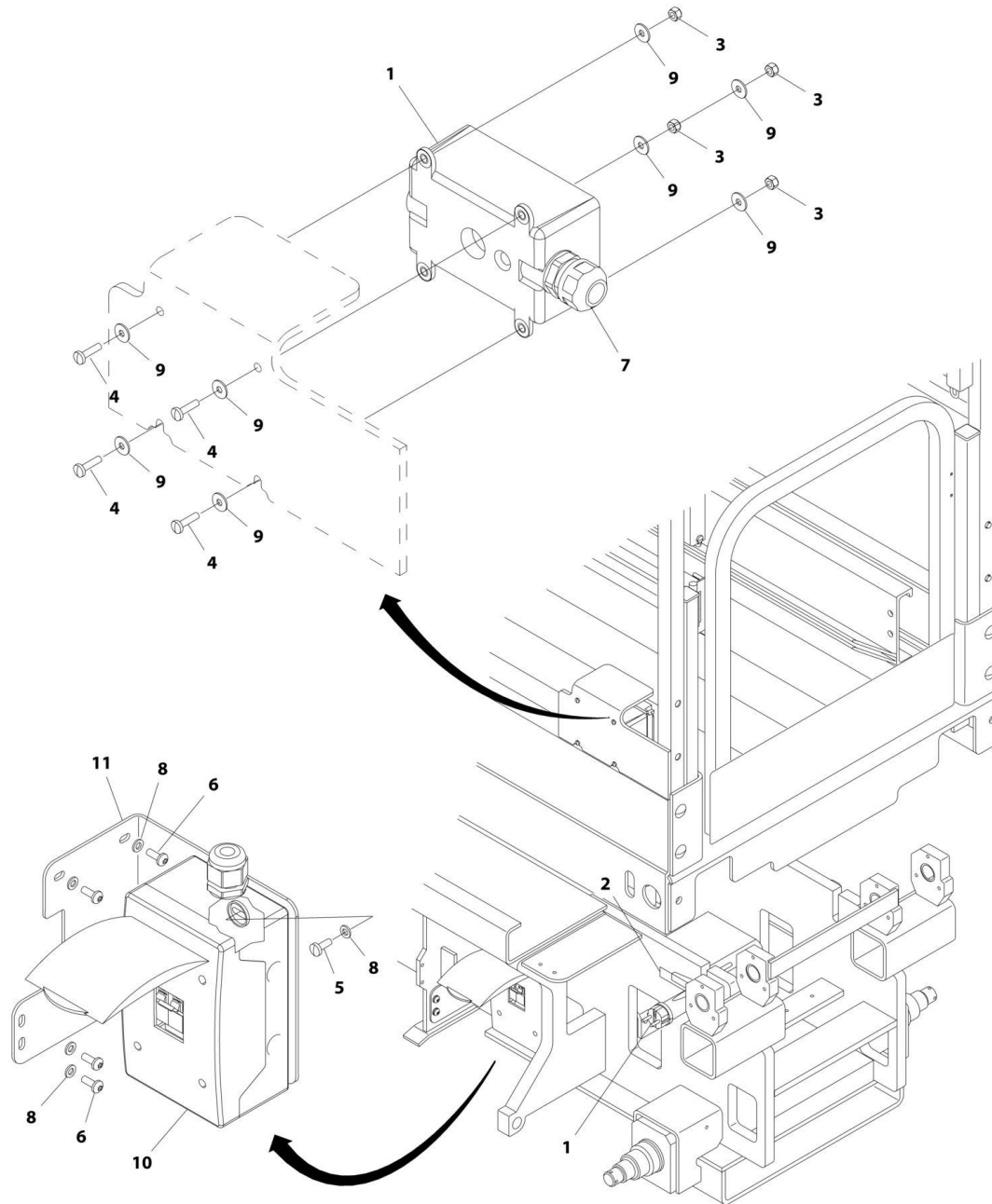
SECTION 7 - ELECTRICAL

FIGURE 7-7. AC BOX AT PLATFORM INSTALLATION - 220V CEE7 SIDE GRD (CE SPEC ONLY)

ITEM	PART NUMBER	QTY	DESCRIPTION	REV
	1001162447	Ref	AC BOX AT PLATFORM INSTALLATION - 220V CEE7 SIDE GRD (CE SPEC ONLY)	A
1	0275453	1	Receptacle Box Kit - 220V CEE7 Side Ground (See RECEPTACLE BOX KIT - 220V CEE7 SIDE GROUND for Breakdown)	
2	3252507	1	Decal - 220V - 50/60Hz	
3	3290405	4	Nut M4	
4	4010408	4	Screw M4 x 16	
5	4010608	2	Screw M6 x 16	
6	4191707	4	Screw M6 x 16	
7	4460662	1	Connector, Strain Relief	
8	4811700	10	Washer M6	
9	1001091102	8	Washer M4	
10	1001152485	1	Breaker Box Kit (See BREAKER BOX KIT WITH THREE BREAKERS - CE SPEC ONLY for Breakdown)	
11	1001162362	1	Bracket	

SECTION 7 - ELECTRICAL

FIGURE 7-8. AC BOX AT PLATFORM INSTALLATION - 220V CEE7 POST GRD (CE SPEC ONLY)



ART_1001162449

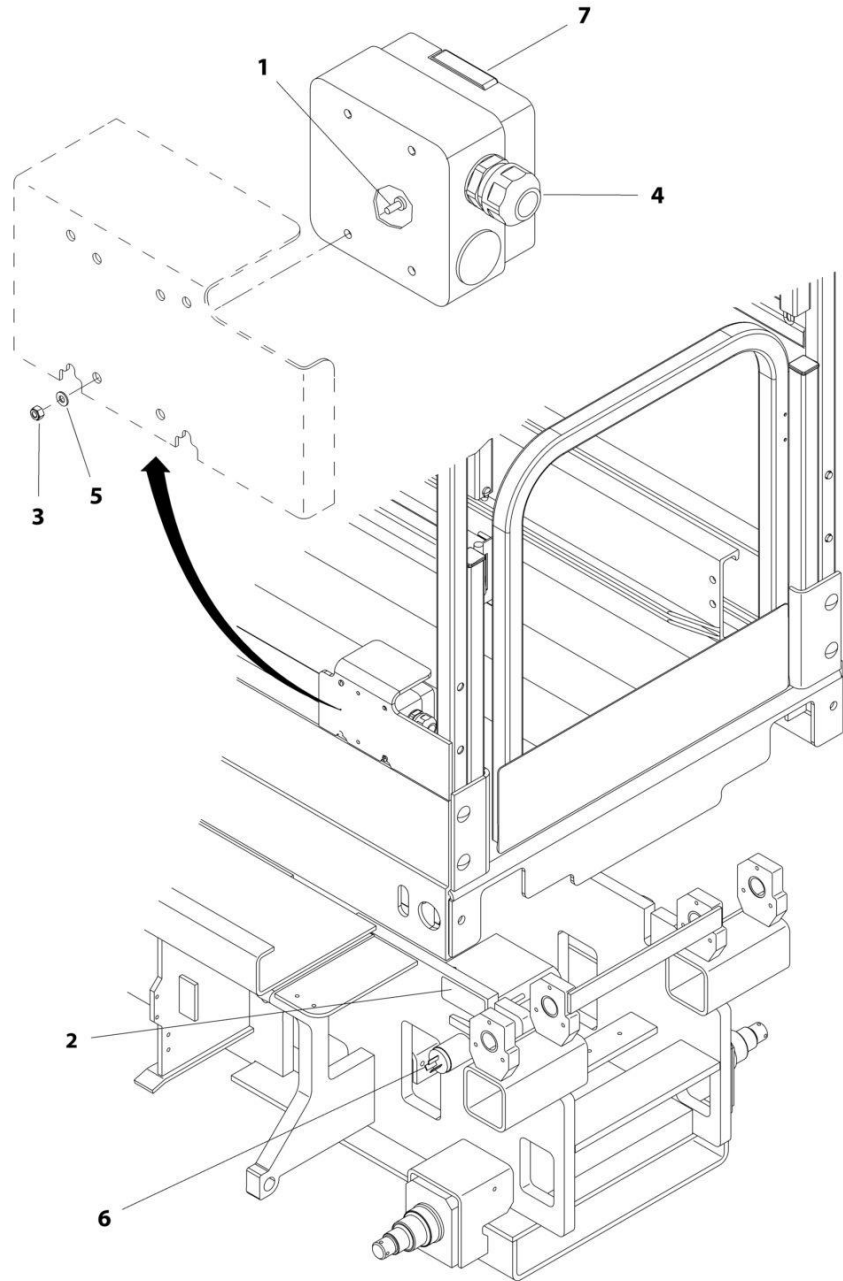
SECTION 7 - ELECTRICAL

FIGURE 7-8. AC BOX AT PLATFORM INSTALLATION - 220V CEE7 POST GRD (CE SPEC ONLY)

ITEM	PART NUMBER	QTY	DESCRIPTION	REV
	1001162449	Ref	AC BOX AT PLATFORM INSTALLATION - 220V CEE7 POST GRD (CE SPEC ONLY)	A
1	0275452	1	Receptacle Box Kit - 220V CEE7 Post Ground (See RECEPTACLE BOX KIT - 220V CEE7 POST GROUND for Breakdown)	
2	3252507	1	Decal - 220V - 50/60Hz	
3	3290405	4	Nut M4	
4	4010408	4	Screw M4 x 16	
5	4010608	2	Screw M6 x 16	
6	4191706	4	Screw M6 x 12	
7	4460662	1	Connector, Strain Relief	
8	4811700	6	Washer M6	
9	1001091102	8	Washer M4	
10	1001152485	1	Breaker Box Kit (See BREAKER BOX KIT WITH THREE BREAKERS - CE SPEC ONLY for Breakdown)	
11	1001162362	1	Bracket	

SECTION 7 - ELECTRICAL

FIGURE 7-9. AC BOX AT PLATFORM INSTALLATION - 220V (ANSI EXPORT AND CHINESE SPEC ONLY)



ART_1001198711

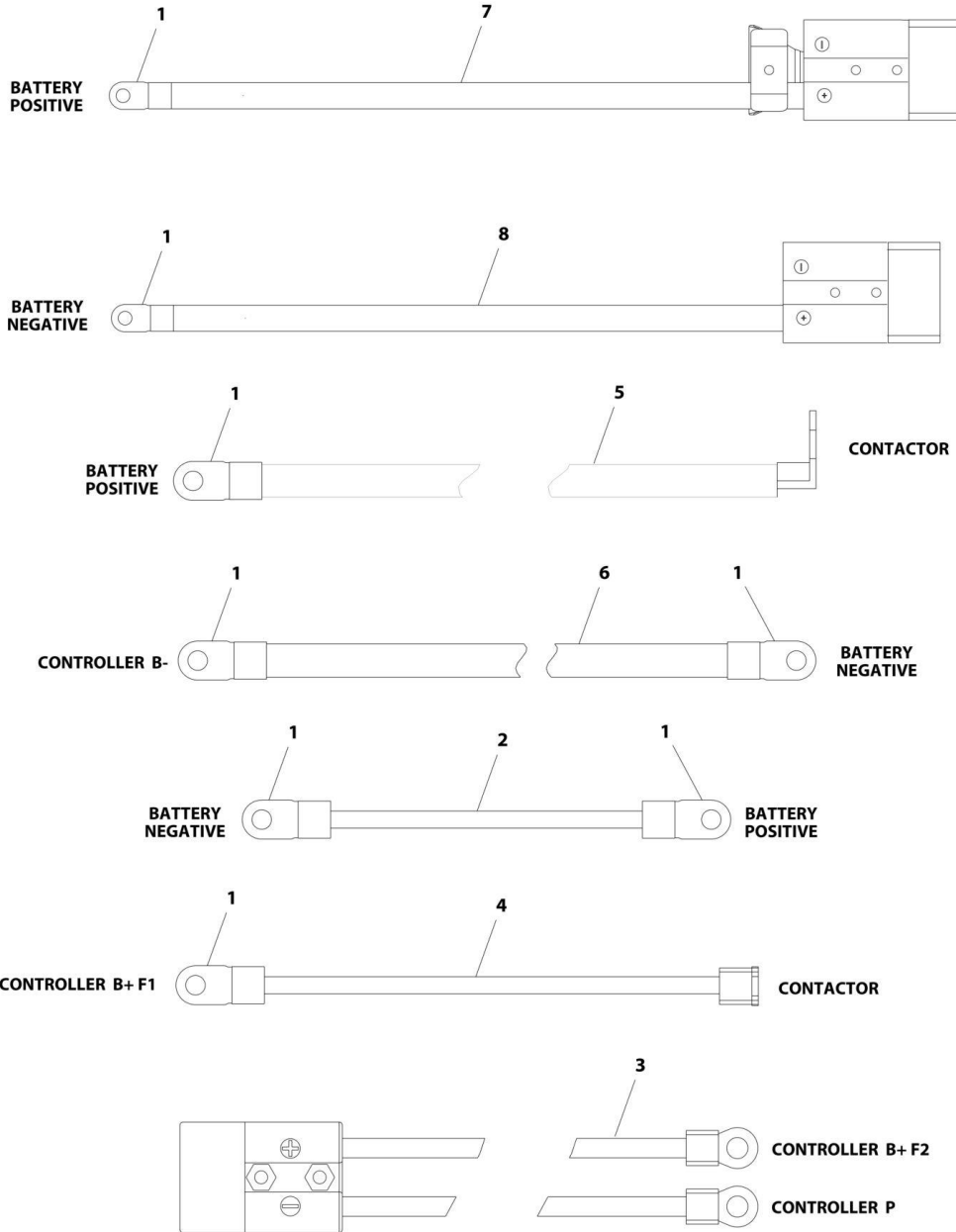
SECTION 7 - ELECTRICAL

FIGURE 7-9. AC BOX AT PLATFORM INSTALLATION - 220V (ANSI EXPORT AND CHINESE SPEC ONLY)

ITEM	PART NUMBER	QTY	DESCRIPTION	REV
	1001198711	Ref	AC BOX AT PLATFORM INSTALLATION - 220V (ANSI EXPORT AND CHINESE SPECS ONLY)	A
1	4010405	4	Screw M4 X 10	
2	3252507	1	Decal - 220V-50/60Hz	
3	3290405	4	Nut M4	
4	4460968	1	Connector, Strain Relief	
5	4811400	4	Washer M4	
6	1001187816	1	Plug	
7	1001188116	1	Box, Receptacle	

SECTION 7 - ELECTRICAL

FIGURE 7-10. BATTERY CABLE KIT



ART_1001178317

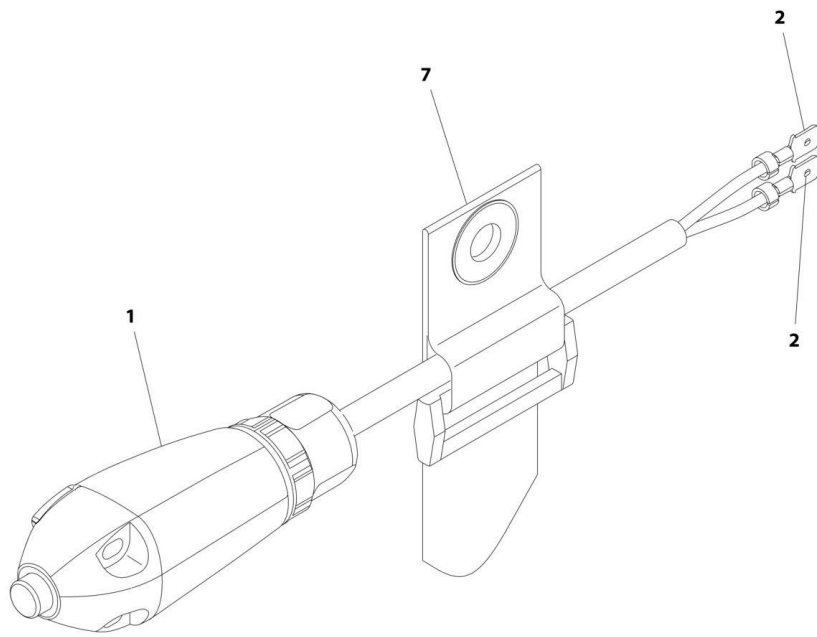
SECTION 7 - ELECTRICAL

FIGURE 7-10. BATTERY CABLE KIT

ITEM	PART NUMBER	QTY	DESCRIPTION	REV
	1001178317	Ref	BATTERY CABLE KIT	D
1	0840060	8	Boot, Terminal	
2	1060998	2	Cable, Battery	
3	1001096795	1	Cable, Pump to Controller	
3	4460618	1	Connector, Anderson	
4	1001114992	1	Cable, Battery	
5	1001178315	1	Cable, Battery	
6	1001178316	1	Cable, Battery	
7	1001178493	1	Cable, Battery	
7	4460618	1	Connector, Anderson	
8	1001178528	1	Cable, Battery	
8	4460618	1	Connector, Anderson	

SECTION 7 - ELECTRICAL

FIGURE 7-11. BRAKE DISCONNECT HARNESS



ART_4922944

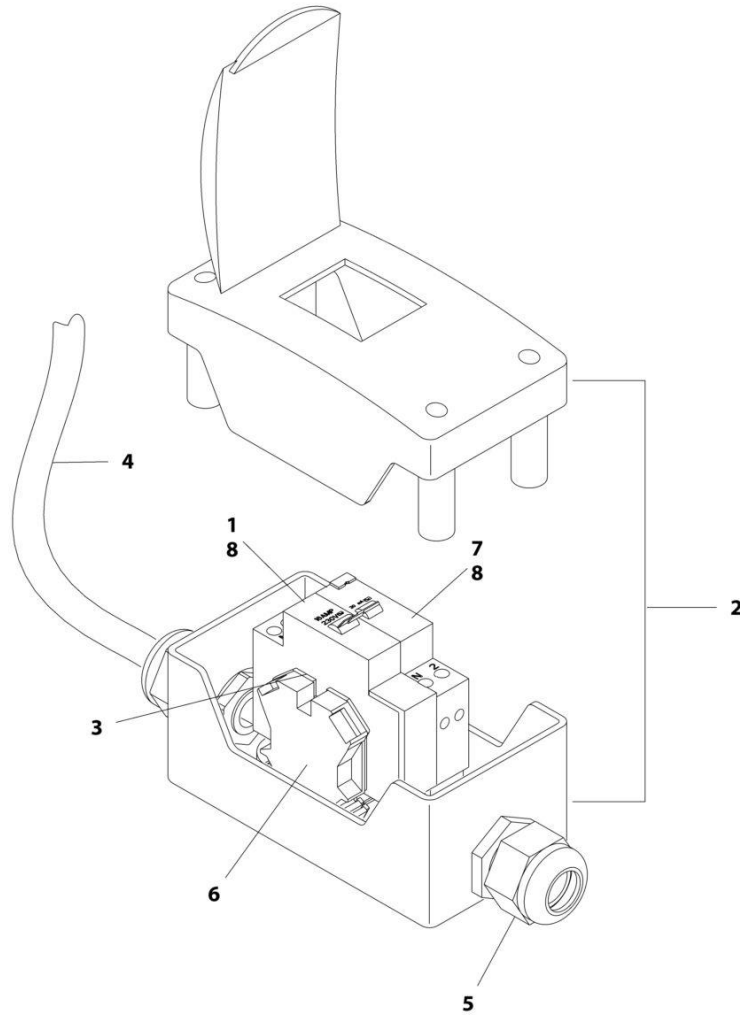
SECTION 7 - ELECTRICAL

FIGURE 7-11. BRAKE DISCONNECT HARNESS

ITEM	PART NUMBER	QTY	DESCRIPTION	REV
	4922944	Ref	BRAKE DISCONNECT HARNESS	F
1	4360613	1	Switch, Push Button Limit	
2	4461002	2	Terminal	
7	4240003	1	Strap, Cinch	

SECTION 7 - ELECTRICAL

FIGURE 7-12. BREAKER BOX KIT WITH TWO BREAKERS (CE SPEC ONLY)



ART_2902541

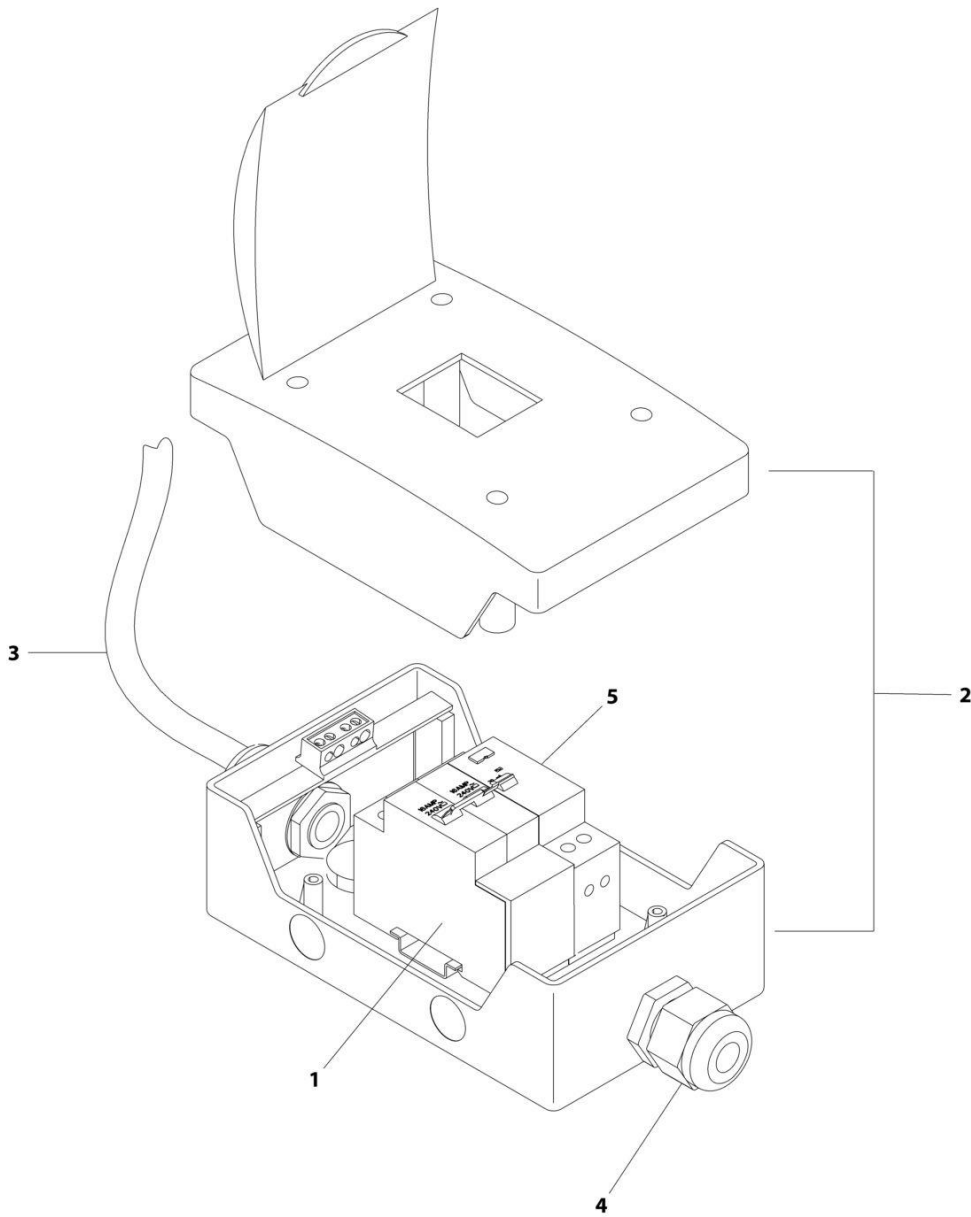
SECTION 7 - ELECTRICAL

FIGURE 7-12. BREAKER BOX KIT WITH TWO BREAKERS (CE SPEC ONLY)

ITEM	PART NUMBER	QTY	DESCRIPTION	REV
	2902541	Ref	BREAKER BOX KIT WITH TWO BREAKERS - (CE SPEC ONLY)	G
1	1001109475	NLA	Breaker, 16Amp (Use p/n 1001181045) (SN 0200239382 through 0200245768, SN B200020297 through B200022928)	
2	0861880	1	Box	
3	4460956	1	Barrier, Terminal	
4	1060908	4.6 ft /1.4m	Cable, 12/3	
5	1001097150	2	Connector, Strain Relief	
6	4460957	1	Block, Terminal	
7	1001109482	NLA	Breaker, 30mA (Use p/n 1001181045) (SN 0200239382 through 0200245768, SN B200020297 through B200022928)	
8	1001181045	1	Breaker, 16A/30mAmp Combination (SN 0200245769 to Present, SN B200022929 to Present, SN M200000100 through M200039289)	

SECTION 7 - ELECTRICAL

FIGURE 7-13. BREAKER BOX KIT WITH THREE BREAKERS (CE SPEC ONLY)



ART_1001152485

SECTION 7 - ELECTRICAL

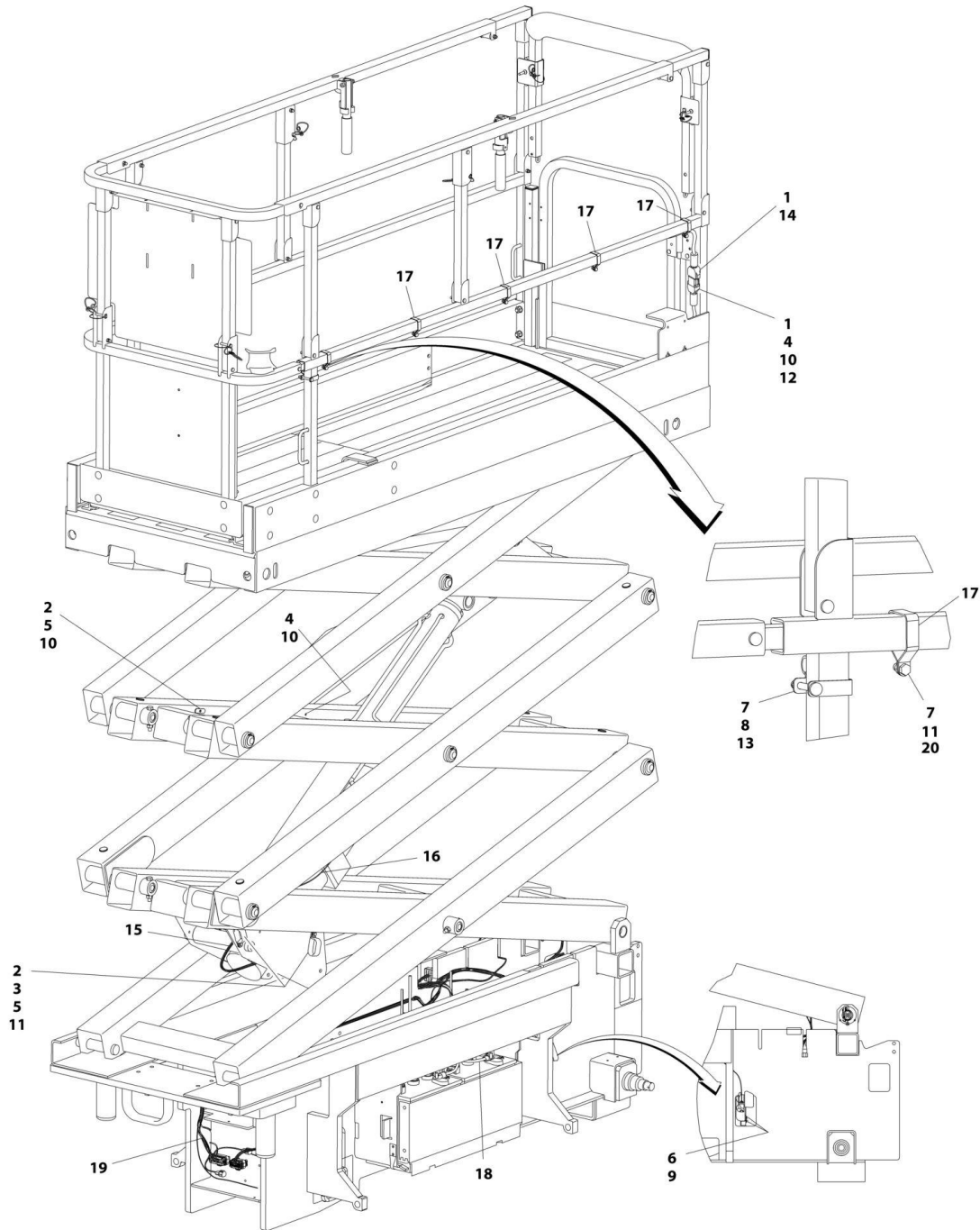
FIGURE 7-13. BREAKER BOX KIT WITH THREE BREAKERS (CE SPEC ONLY)

ITEM	PART NUMBER	QTY	DESCRIPTION	REV
	1001152485	Ref	BREAKER BOX KIT WITH THREE BREAKERS - (CE SPEC ONLY)	D
1	1001152479	NLA	Breaker, 16Amp Double (Use p/n 1001189172) (SN 0200239382 through 0200248240, SN B200020297 through B200024236, SN M200000100 through M200000139)	
1	1001189172	1	Breaker, 16Amp Double (SN 0200248241 to Present, SN 1200025021 to Present, SN B200024237 to Present, SN M200000140 through M200039289)	
2	1001152483	1	Box	
3	1060908	6 ft/1.8m	Cable, 12/3	
4	1001097150	2	Connector, Strain Relief	
5	1001152482	NLA	Breaker, 30mA (Use p/n 1001189171) (SN 0200239382 through 0200248240, SN B200020297 through B200024236, SN M200000100 through M200000139)	
5	1001189171	1	Breaker, 30mA (SN 0200248241 to Present, SN 1200025021 to Present, SN B200024237 to Present, SN M200000140 through M200039289)	

SECTION 7 - ELECTRICAL

FIGURE 7-14. CABLES INSTALLATION - 2032ES

NOTE: SEE USAGE CHART ON PARTS LIST BEFORE ORDERING PARTS.



ART_1001178318

SECTION 7 - ELECTRICAL

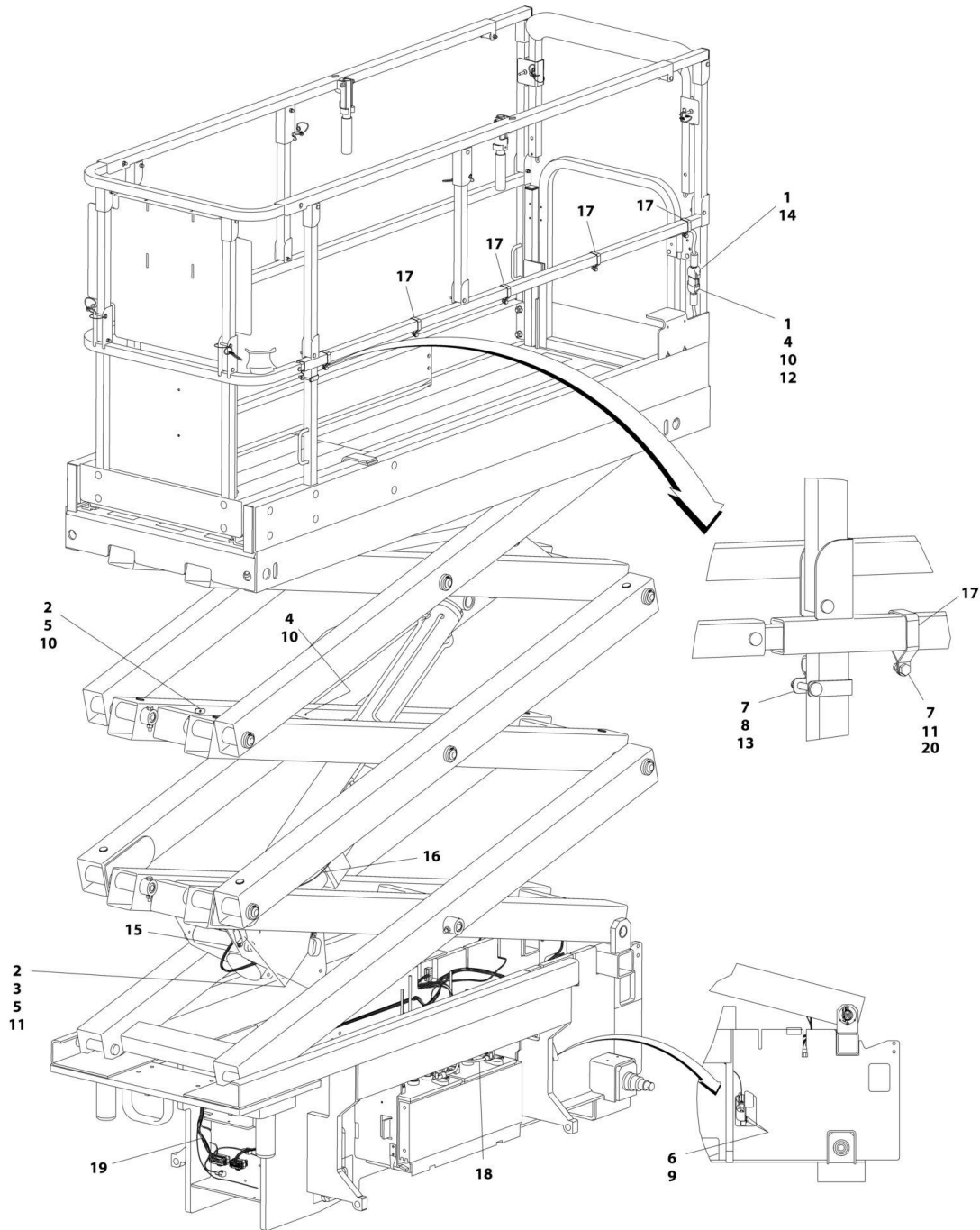
FIGURE 7-14. CABLES INSTALLATION - 2032ES

ITEM	PART NUMBER	QTY	DESCRIPTION	REV
	1001178318	Ref	CABLES INSTALLATION - 2032ES	F
		Ref	Usage Chart	
		Ref	China Built Machines (SN B200000100 through B200035088)	
		Ref	Mexico Built Machines (SN M200000100 through M200039289)	
		Ref	USA Built Machines	
		Ref	ANSI and CSA Specs (All Machines)	
		Ref	Japanese Specs (SN 0200000100 through 0200258070)	
		Ref	ANSI Export and China Specs (SN 0200239382 through 0200248240)	
1	0100048	AR	Compound, Sealing	
2	0760610	2	Bolt M6 x 20	
3	1321716	2	Clamp	
4	1380158	13	Clip, Retainer	
5	3290601	2	Nut M6	
6	3290605	2	Nut M6	
7	3290606	6	Nut M6	
8	4010616	1	Screw M6 x 40	
9	4031713	2	Capscrew M6 x 45	
10	4740545	5	Washer	
11	4751400	4	Washer 1/4	
12	1001178687	1	Ground to Platform Harness (See GROUND TO PLATFORM HARNESS - 2032ES for Breakdown)	
13	1001094175	1	Clamp	
14	1001096706	1	Platform Harness (Includes Item 17) (See PLATFORM HARNESS for Breakdown) (SN 0200000100 through 0200262518, SN B200000100 through B200035088, SN M200000100 through M200010204)	
14	1001201243	1	Platform Harness (Includes Item 17) (See PLATFORM HARNESS for Breakdown) (SN 0200262519 to Present, SN M200010205 through M200039289)	
15	1001096794	1	Pump Power Harness (See PUMP POWER HARNESS for Breakdown)	
16	1001115002	1	Cylinder Harness (See CYLINDER HARNESS for Breakdown)	
17	1001094180	NLA	Clamp (Use p/n 1001210760) (SN 0200000100 through 0200257625, SN B200000100 through B200035088, SN M200000100 through M200002832)	
17	1001210433	NLA	Clamp (Use p/n 1001210760) (SN 0200257626 to Present, SN M200002833 through M200039289)	
18	1001178317	1	Battery Cable Kit (See BATTERY CABLE KIT for Breakdown)	
19	1001187198	1	Chassis Harness (See CHASSIS HARNESS for Breakdown)	
20	0760606	5	Bolt M6 x 12	

SECTION 7 - ELECTRICAL

FIGURE 7-15. CABLES INSTALLATION - 2032ES

NOTE: SEE USAGE CHART ON PARTS LIST BEFORE ORDERING PARTS.



ART_1001219349

SECTION 7 - ELECTRICAL

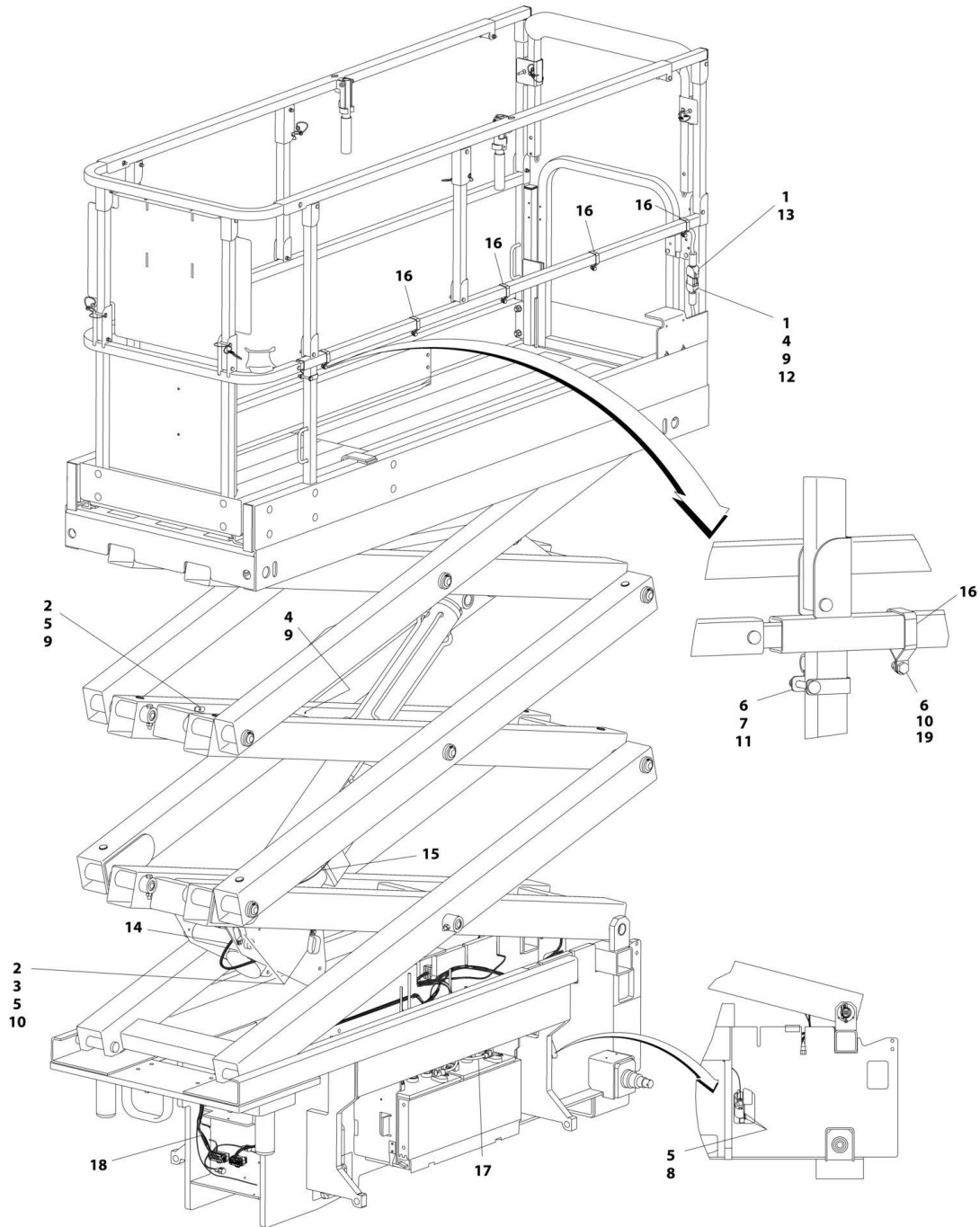
FIGURE 7-15. CABLES INSTALLATION - 2032ES

ITEM	PART NUMBER	QTY	DESCRIPTION	REV
	1001219349	Ref	CABLES INSTALLATION - 2032ES	B
		Ref	Usage Chart	
		Ref	China Built Machines (SN B200035089 to Present)	
		Ref	ANSI and CSA Specs	
1	0100048	AR	Compound, Sealing	
2	0760610	2	Bolt M6 x 20	
3	1321716	2	Clamp	
4	1380158	13	Clip, Retainer	
5	3290601	2	Nut M6	
6	3290605	2	Nut M6	
7	3290606	6	Nut M6	
8	4010616	1	Screw M6 x 40	
9	4031713	2	Capscrew M6 x 45	
10	4740545	5	Washer	
11	4751400	4	Washer 1/4	
12	1001178687	1	Ground to Platform Harness (See GROUND TO PLATFORM HARNESS - 2032ES for Breakdown)	
13	1001094175	1	Clamp	
14	1001096706	1	Platform Harness (Includes Item 17) (See PLATFORM HARNESS for Breakdown)	
15	1001096794	1	Pump Power Harness (See PUMP POWER HARNESS for Breakdown)	
16	1001115002	1	Cylinder Harness (See CYLINDER HARNESS for Breakdown)	
17	1001220668	5	Clamp	
18	1001178317	1	Battery Cable Kit (See BATTERY CABLE KIT for Breakdown)	
19	1001187198	1	Chassis Harness (See CHASSIS HARNESS for Breakdown)	
20	0760606	5	Bolt M6 x 12	
20	0760605	5	Bolt M6 x 10	

SECTION 7 - ELECTRICAL

FIGURE 7-16. CABLES INSTALLATION - 2032ES

NOTE: SEE USAGE CHART ON PARTS LIST BEFORE ORDERING PARTS.



ART_1001178320

SECTION 7 - ELECTRICAL

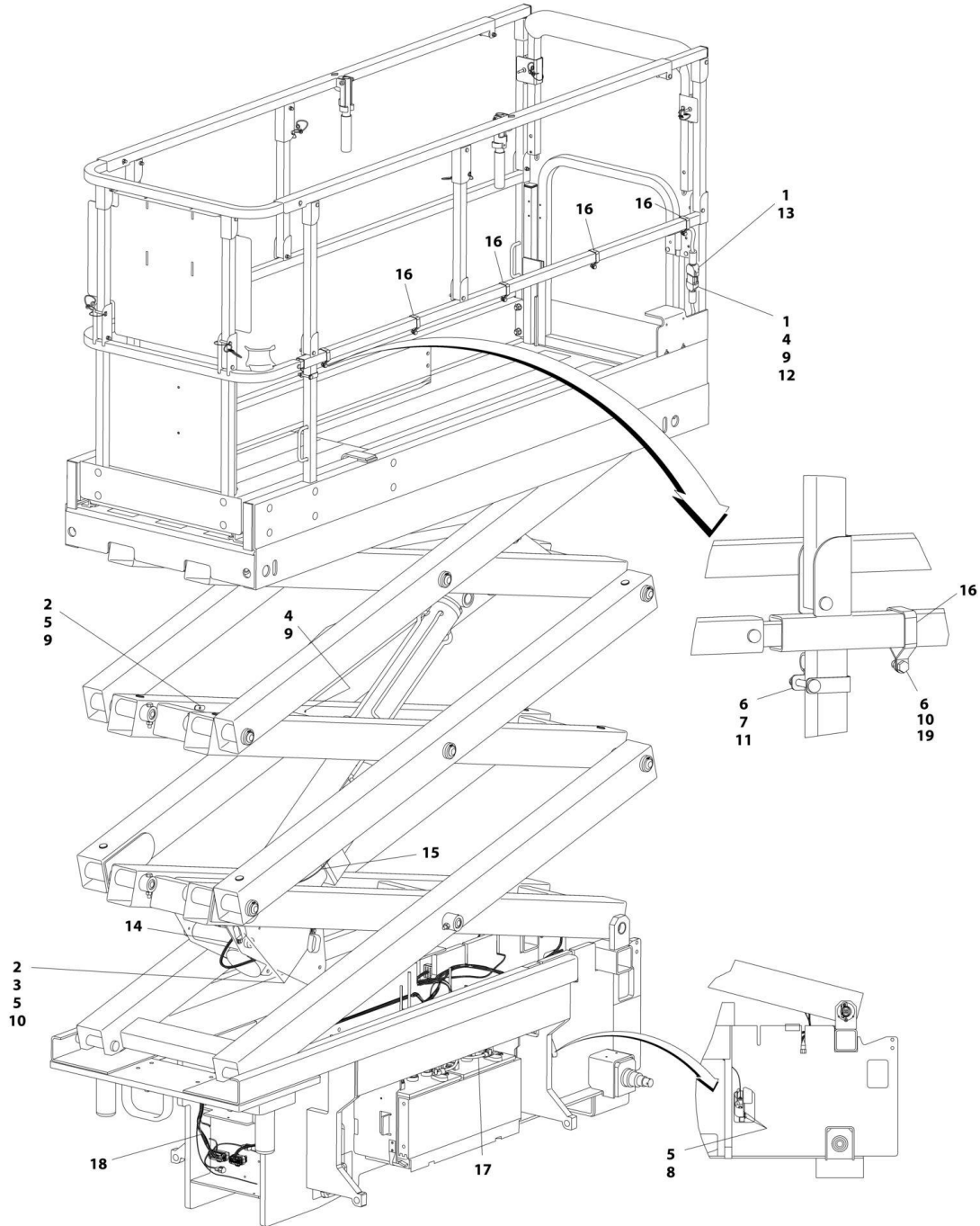
FIGURE 7-16. CABLES INSTALLATION - 2032ES

ITEM	PART NUMBER	QTY	DESCRIPTION	REV
	1001178320	Ref	CABLES INSTALLATION - 2032ES	F
		Ref	Usage Chart	
		Ref	Belgium Built Machines (SN 1200000100 through 1200025120)	
		Ref	China Built Machines (SN B200000100 through B200035088)	
		Ref	Mexico Built Machines (SN M200000100 through M200039289)	
		Ref	Korea Specs (SN M200017852 through M200039289)	
		Ref	USA Built Machines	
		Ref	ANSI Export and China Spec (SN 0200248241 to Present)	
		Ref	Japanese Specs (SN 0200258070 to Present)	
		Ref	Australian and CE Spec (All Machines)	
1	0100048	AR	Compound, Sealing	
2	0760610	4	Bolt M6 x 20	
3	1321716	2	Clamp	
4	1380158	13	Clip, Retainer	
5	3290605	6	Nut M6	
6	3290606	6	Nut M6	
7	4010616	1	Screw M6 x 40	
8	4031713	2	Capscrew M6 x 45	
9	4740545	5	Washer	
10	4751400	4	Washer 1/4	
11	1001094175	1	Clamp	
12	1001178690	1	Ground to Platform Harness (See GROUND TO PLATFORM HARNESS - 2032ES for Breakdown)	
13	1001096706	1	Platform Harness (Includes Item 16) (See PLATFORM HARNESS for Breakdown) (SN 0200000100 through 0200262518, SN 1200000100 through 1200025120, SN B200000100 through B200035088, SN M200000100 through M200010204)	
13	1001201243	1	Platform Harness (Includes Item 16) (See PLATFORM HARNESS for Breakdown) (SN 0200262519 to Present, SN M200010205 through M200039289)	
14	1001096794	1	Pump Power Harness (See PUMP POWER HARNESS for Breakdown)	
15	1001115002	1	Cylinder Harness (See CYLINDER HARNESS for Breakdown)	
16	1001094180	NLA	Clamp (Use p/n 1001210760) (SN 0200000100 through 0200257626, SN 1200000100 through 1200025120, SN B200000100 through B200035088, SN M200000100 through M200002832)	
16	1001210433	NLA	Clamp (Use p/n 1001210760) (SN 0200257626 to Present, SN M200002833 through M200039289)	
17	1001178317	1	Battery Cable Kit (See BATTERY CABLE KIT for Breakdown)	
18	1001187198	1	Chassis Harness (See CHASSIS HARNESS for Breakdown)	
19	0760606	5	Bolt M6 x 12	

SECTION 7 - ELECTRICAL

FIGURE 7-17. CABLES INSTALLATION - 2032ES

NOTE: SEE USAGE CHART ON PARTS LIST BEFORE ORDERING PARTS.



ART_1001219351

SECTION 7 - ELECTRICAL

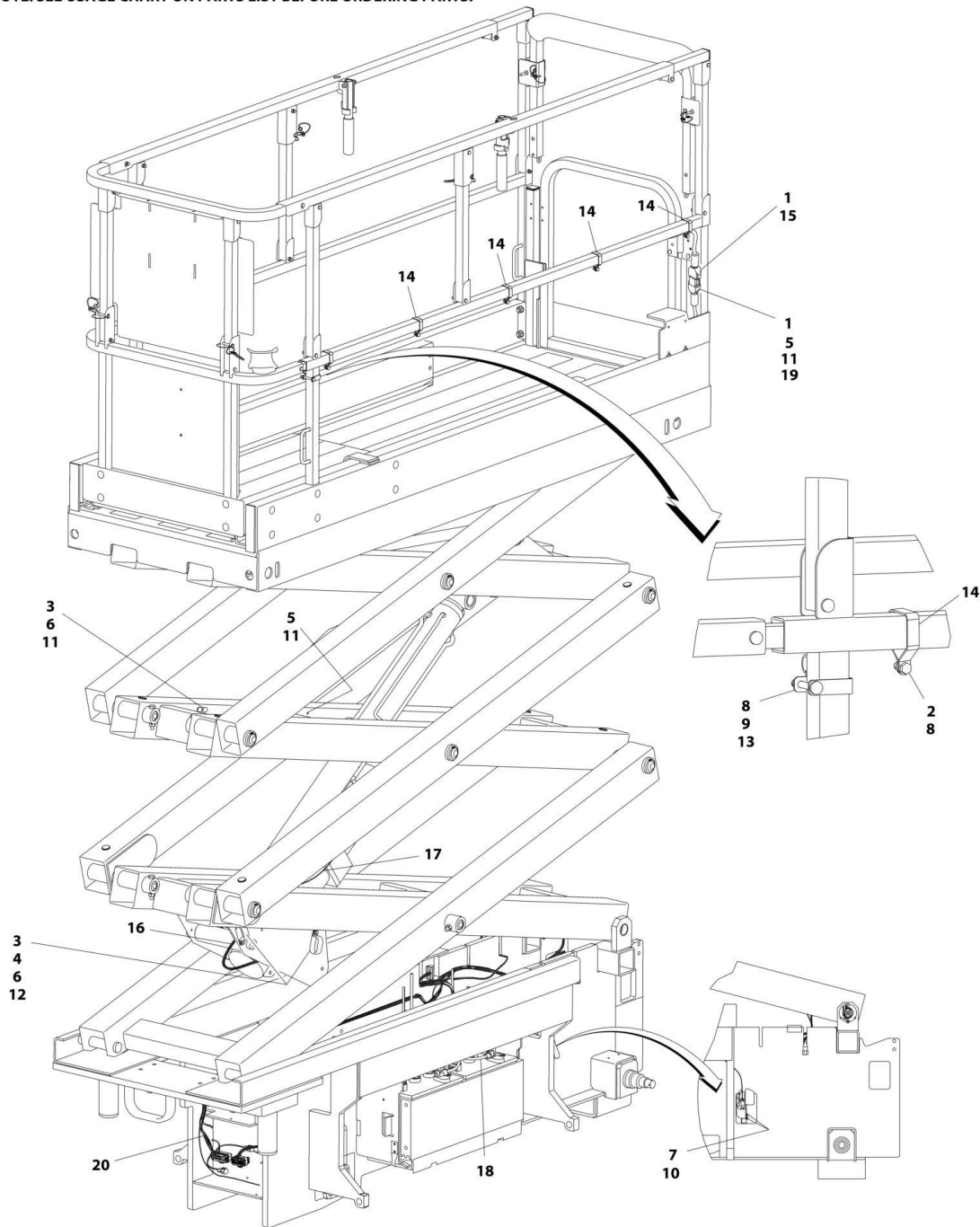
FIGURE 7-17. CABLES INSTALLATION - 2032ES

ITEM	PART NUMBER	QTY	DESCRIPTION	REV
	1001219351	Ref	CABLES INSTALLATION - 2032ES	B
		Ref	Usage Chart	
		Ref	Belgium Built Machines (SN 1200025121 to Present)	
		Ref	China Built Machines (SN B200035089 to Present)	
		Ref	ANSI Export, Australian, CE, Japanese, Korea and China Specs	
1	0100048	AR	Compound, Sealing	
2	0760610	4	Bolt M6 x 20	
3	1321716	2	Clamp	
4	1380158	13	Clip, Retainer	
5	3290605	6	Nut M6	
6	3290606	6	Nut M6	
7	4010616	1	Screw M6 x 40	
8	4031713	2	Capscrew M6 x 45	
9	4740545	5	Washer	
10	4751400	4	Washer 1/4	
11	1001094175	1	Clamp	
12	1001178690	1	Ground to Platform Harness (See GROUND TO PLATFORM HARNESS - 2032ES for Breakdown)	
13	1001096706	1	Platform Harness (Includes Item 16) (See PLATFORM HARNESS for Breakdown)	
14	1001096794	1	Pump Power Harness (See PUMP POWER HARNESS for Breakdown)	
15	1001115002	1	Cylinder Harness (See CYLINDER HARNESS for Breakdown)	
16	1001220668	5	Clamp	
17	1001178317	1	Battery Cable Kit (See BATTERY CABLE KIT for Breakdown)	
18	1001187198	1	Chassis Harness (See CHASSIS HARNESS for Breakdown)	
19	0760606	5	Bolt M6 x 12	
19	0760605	5	Bolt M6 x 10	

SECTION 7 - ELECTRICAL

FIGURE 7-18. CABLES INSTALLATION - 2032ES

NOTE: SEE USAGE CHART ON PARTS LIST BEFORE ORDERING PARTS.



ART_1001196864

SECTION 7 - ELECTRICAL

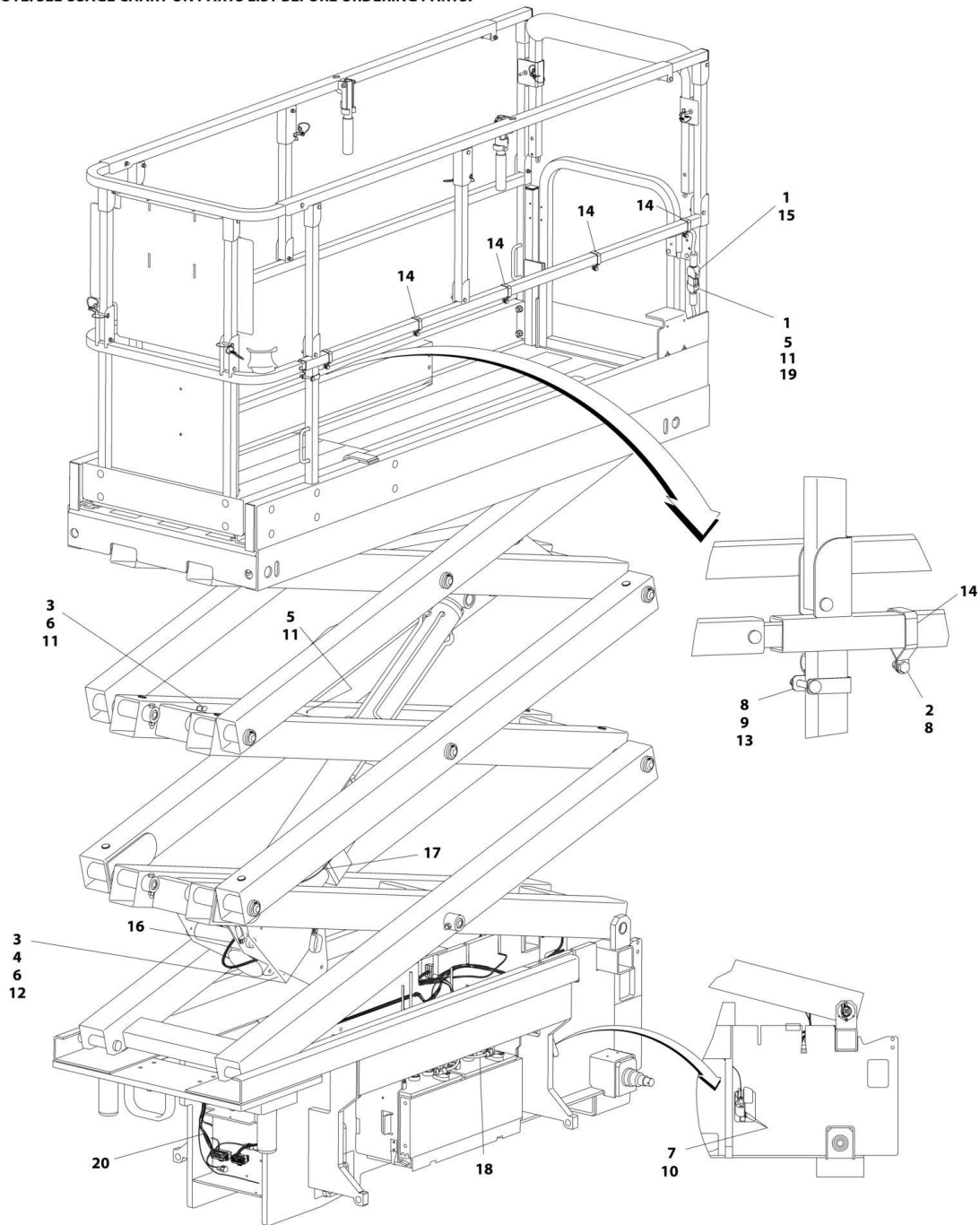
FIGURE 7-18. CABLES INSTALLATION - 2032ES

ITEM	PART NUMBER	QTY	DESCRIPTION	REV
	1001196864	Ref	CABLES INSTALLATION - 2032ES	B
		Ref	Usage Chart	
		Ref	China Built Machines (SN B200000100 through B200035088)	
		Ref	Mexico Built Machines (SN M200000100 through M200039289)	
		Ref	USA Built Machines	
		Ref	UL Machines (All Machines)	
1	0100048	AR	Compound, Sealing	
2	0760606	5	Bolt M6 x 12	
3	0760610	2	Bolt M6 x 20	
4	1321716	2	Clamp	
5	1380158	13	Clip, Retainer	
6	3290601	2	Nut M6	
7	3290605	2	Nut M6	
8	3290606	1	Nut M6	
9	4010616	1	Screw M6 x 40	
10	4031713	2	Capscrew M6 x 45	
11	4740545	5	Washer	
12	4751400	2	Washer 1/4	
13	1001094175	1	Clamp	
14	1001094180	NLA	Clamp (Use p/n 1001210760) (SN 020000100 through 0200257625, SN B200000100 through B200035088, SN M200000100 through M200002832)	
14	1001210433	NLA	Clamp (Use p/n 1001210760) (SN 0200257626 to Present, SN M200002833 through M200039289)	
15	1001096706	1	Platform Harness (Includes Item 14) (See PLATFORM HARNESS for Breakdown) (SN 0200000100 through 0200262518, SN B200000100 through B200035088, SN M200000100 through M200010204)	
15	1001201243	1	Platform Harness (Includes Item 14) (See PLATFORM HARNESS for Breakdown) (SN 0200262519 to Present, SN M200010205 through M200039289)	
16	1001096794	1	Pump Power Harness (See PUMP POWER HARNESS for Breakdown)	
17	1001115002	1	Cylinder Harness (See CYLINDER HARNESS for Breakdown)	
18	1001178317	1	Battery Cable Kit (See BATTERY CABLE KIT for Breakdown)	
19	1001178687	1	Ground to Platform Harness (See GROUND TO PLATFORM HARNESS - 2032ES for Breakdown)	
20	1001196835	1	Chassis Harness (See CHASSIS HARNESS for Breakdown)	

SECTION 7 - ELECTRICAL

FIGURE 7-19. CABLES INSTALLATION - 2032ES

NOTE: SEE USAGE CHART ON PARTS LIST BEFORE ORDERING PARTS.



ART_1001219358

SECTION 7 - ELECTRICAL

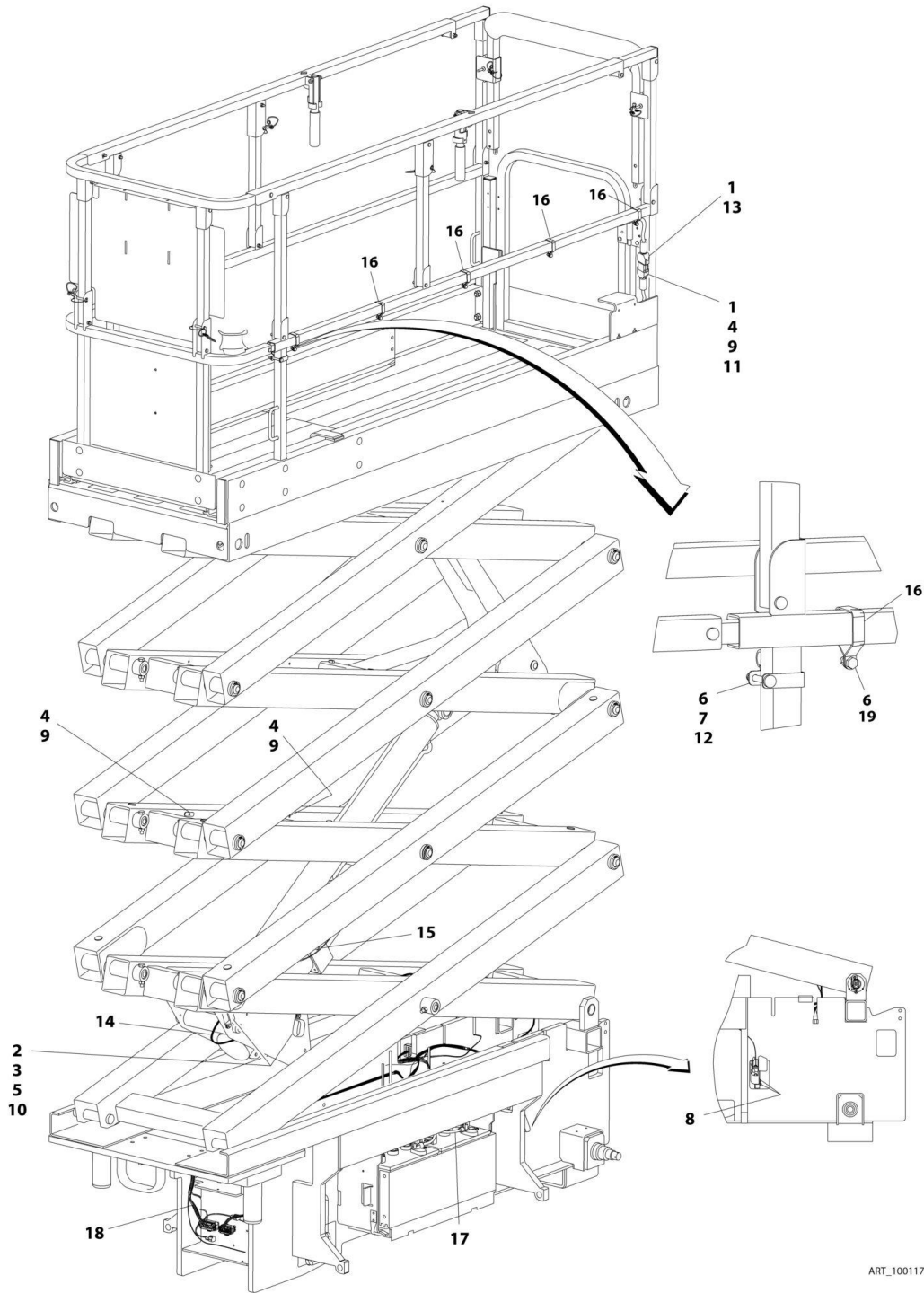
FIGURE 7-19. CABLES INSTALLATION - 2032ES

ITEM	PART NUMBER	QTY	DESCRIPTION	REV
	1001219358	Ref	CABLES INSTALLATION - 2032ES	B
		Ref	Usage Chart	
		Ref	China Built Machines (SN B200035089 to Present)	
		Ref	UL Machines	
1	0100048	AR	Compound, Sealing	
2	0760606	5	Bolt M6 x 12	
2	0760605	5	Bolt M6 x 10	
3	0760610	2	Bolt M6 x 20	
4	1321716	2	Clamp	
5	1380158	13	Clip, Retainer	
6	3290601	2	Nut M6	
7	3290605	2	Nut M6	
8	3290606	6	Nut M6	
9	4010616	1	Screw M6 x 40	
10	4031713	2	Capscrew M6 x 45	
11	4740545	5	Washer	
12	4751400	4	Washer 1/4	
13	1001094175	1	Clamp	
14	1001220668	5	Clamp	
15	1001096706	1	Platform Harness (Includes Item 14) (See PLATFORM HARNESS for Breakdown)	
16	1001096794	1	Pump Power Harness (See PUMP POWER HARNESS for Breakdown)	
17	1001115002	1	Cylinder Harness (See CYLINDER HARNESS for Breakdown)	
18	1001178317	1	Battery Cable Kit (See BATTERY CABLE KIT for Breakdown)	
19	1001178687	1	Ground to Platform Harness (See GROUND TO PLATFORM HARNESS - 2032ES for Breakdown)	
20	1001196835	1	Chassis Harness (See CHASSIS HARNESS for Breakdown)	

SECTION 7 - ELECTRICAL

FIGURE 7-20. CABLES INSTALLATION - 2632ES

NOTE: SEE USAGE CHART ON PARTS LIST BEFORE ORDERING PARTS.



ART_1001178322

SECTION 7 - ELECTRICAL

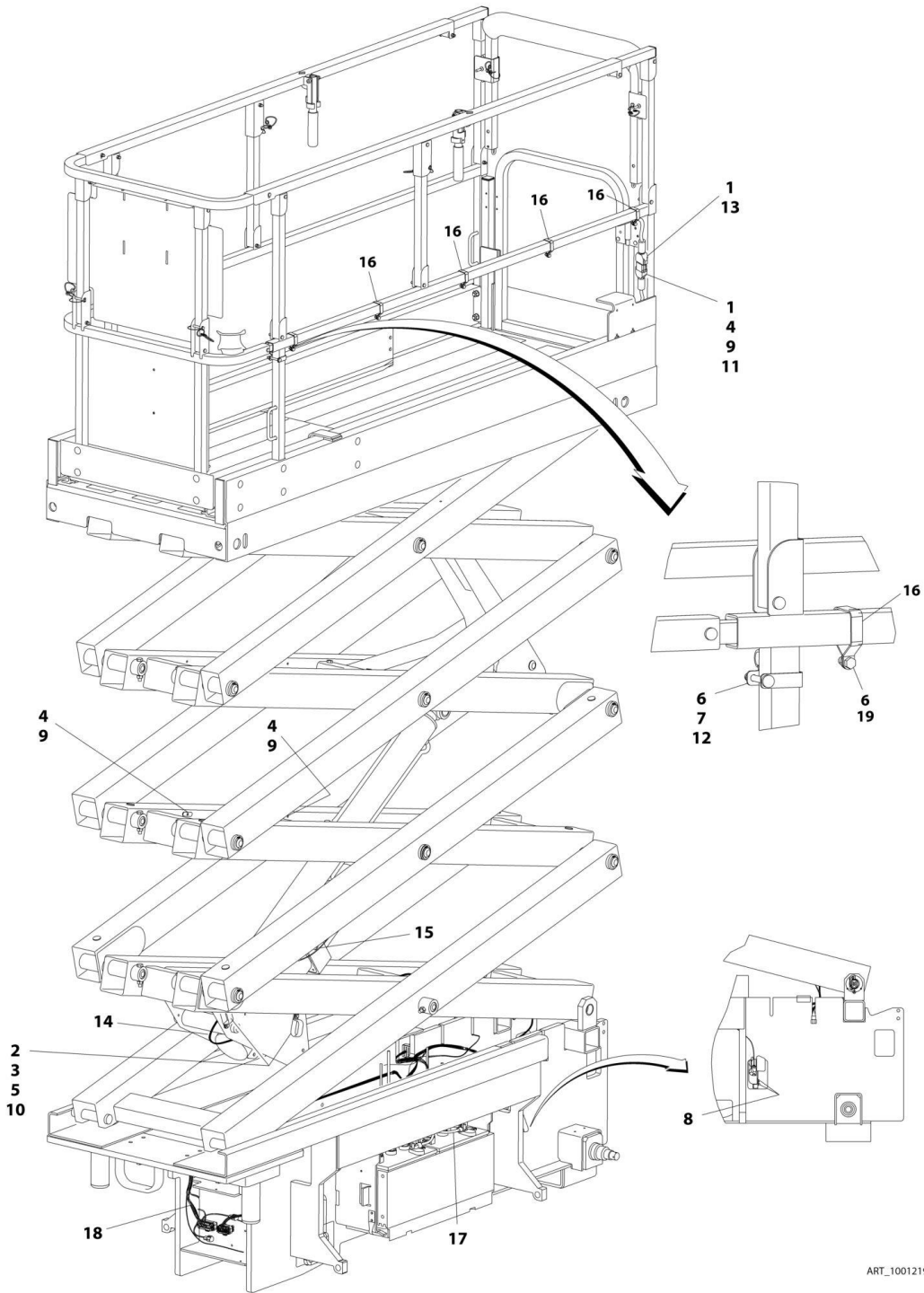
FIGURE 7-20. CABLES INSTALLATION - 2632ES

ITEM	PART NUMBER	QTY	DESCRIPTION	REV
	1001178322	Ref	CABLES INSTALLATION - 2632ES	F
		Ref	Usage Chart	
		Ref	China Built Machines (SN B200000100 through B200035088)	
		Ref	Mexico Built Machines (SN M200000100 through M200039289)	
		Ref	USA Built Machines	
		Ref	ANSI and CSA Specs (All Machines)	
		Ref	Japanese Specs (SN 0200000100 through 0200258070)	
		Ref	ANSI Export and China Spec (SN 0200239382 through 0200248240)	
1	0100048	AR	Compound, Sealing	
2	0760610	2	Bolt M6 x 20	
3	1321716	2	Clamp	
4	1380158	20	Clip, Retainer	
5	3290601	2	Nut M6	
6	3290606	6	Nut M6	
7	4010616	1	Screw M6 x 40	
8	4031713	2	Capscrew M6 x 45	
9	4740545	11	Washer	
10	4751400	4	Washer 1/4	
11	1001178688	1	Ground to Platform Harness (See GROUND TO PLATFORM HARNESS - 2632ES for Breakdown)	
12	1001094175	1	Clamp	
13	1001096706	1	Platform Harness (Includes Item 16) (See PLATFORM HARNESS for Breakdown) (SN 0200000100 through 0200262518, SN B200000100 through B200035088, SN M200000100 through M200010204)	
13	1001201243	1	Platform Harness (Includes Item 16) (See PLATFORM HARNESS for Breakdown) (SN 0200262519 to Present, SN M200010205 through M200039289)	
14	1001096794	1	Pump Power Harness (See PUMP POWER HARNESS for Breakdown)	
15	1001115002	1	Cylinder Harness (See CYLINDER HARNESS for Breakdown)	
16	1001094180	NLA	Clamp (Use p/n 1001210760) (SN 0200000100 through 0200257625, SN B200000100 through B200035088, SN M200000100 through M200002832)	
16	1001210433	NLA	Clamp (Use p/n 1001210760) (SN 0200257626 to Present, SN M200002833 through M200039289)	
17	1001178317	1	Battery Cable Kit (See BATTERY CABLE KIT for Breakdown)	
18	1001187198	1	Chassis Harness (See CHASSIS HARNESS for Breakdown)	
19	0760606	5	Bolt M6 x 12	

SECTION 7 - ELECTRICAL

FIGURE 7-21. CABLES INSTALLATION - 2632ES

NOTE: SEE USAGE CHART ON PARTS LIST BEFORE ORDERING PARTS.



ART_1001219350

SECTION 7 - ELECTRICAL

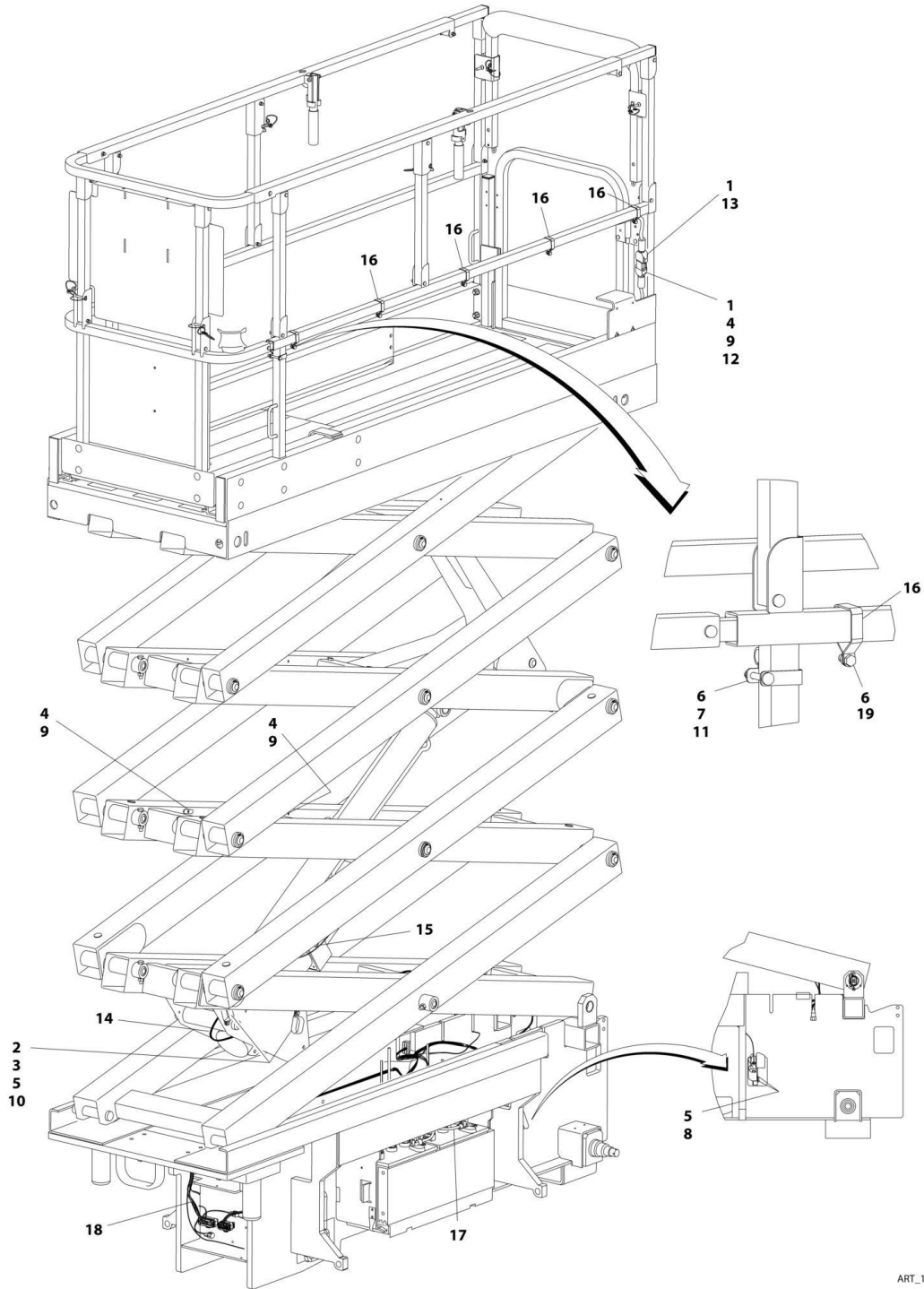
FIGURE 7-21. CABLES INSTALLATION - 2632ES

ITEM	PART NUMBER	QTY	DESCRIPTION	REV
	1001219350	Ref	CABLES INSTALLATION - 2632ES	B
		Ref	Usage Chart	
		Ref	China Built Machines (SN B200035089 to Present)	
		Ref	ANSI and CSA Specs	
1	0100048	AR	Compound, Sealing	
2	0760610	2	Bolt M6 x 20	
3	1321716	2	Clamp	
4	1380158	20	Clip, Retainer	
5	3290601	2	Nut M6	
6	3290606	6	Nut M6	
7	4010616	1	Screw M6 x 40	
8	4031713	2	Capscrew M6 x 45	
9	4740545	11	Washer	
10	4751400	4	Washer 1/4	
11	1001178688	1	Ground to Platform Harness (See GROUND TO PLATFORM HARNESS - 2632ES for Breakdown)	
12	1001094175	1	Clamp	
13	1001096706	1	Platform Harness (Includes Item 16) (See PLATFORM HARNESS for Breakdown)	
14	1001096794	1	Pump Power Harness (See PUMP POWER HARNESS for Breakdown)	
15	1001115002	1	Cylinder Harness (See CYLINDER HARNESS for Breakdown)	
16	1001220668	5	Clamp	
17	1001178317	1	Battery Cable Kit (See BATTERY CABLE KIT for Breakdown)	
18	1001187198	1	Chassis Harness (See CHASSIS HARNESS for Breakdown)	
19	0760606	5	Bolt M6 x 12	
19	0760605	5	Bolt M6 x 10	

SECTION 7 - ELECTRICAL

FIGURE 7-22. CABLES INSTALLATION - 2632ES

NOTE: SEE USAGE CHART ON PARTS LIST BEFORE ORDERING PARTS.



ART_1001178321

SECTION 7 - ELECTRICAL

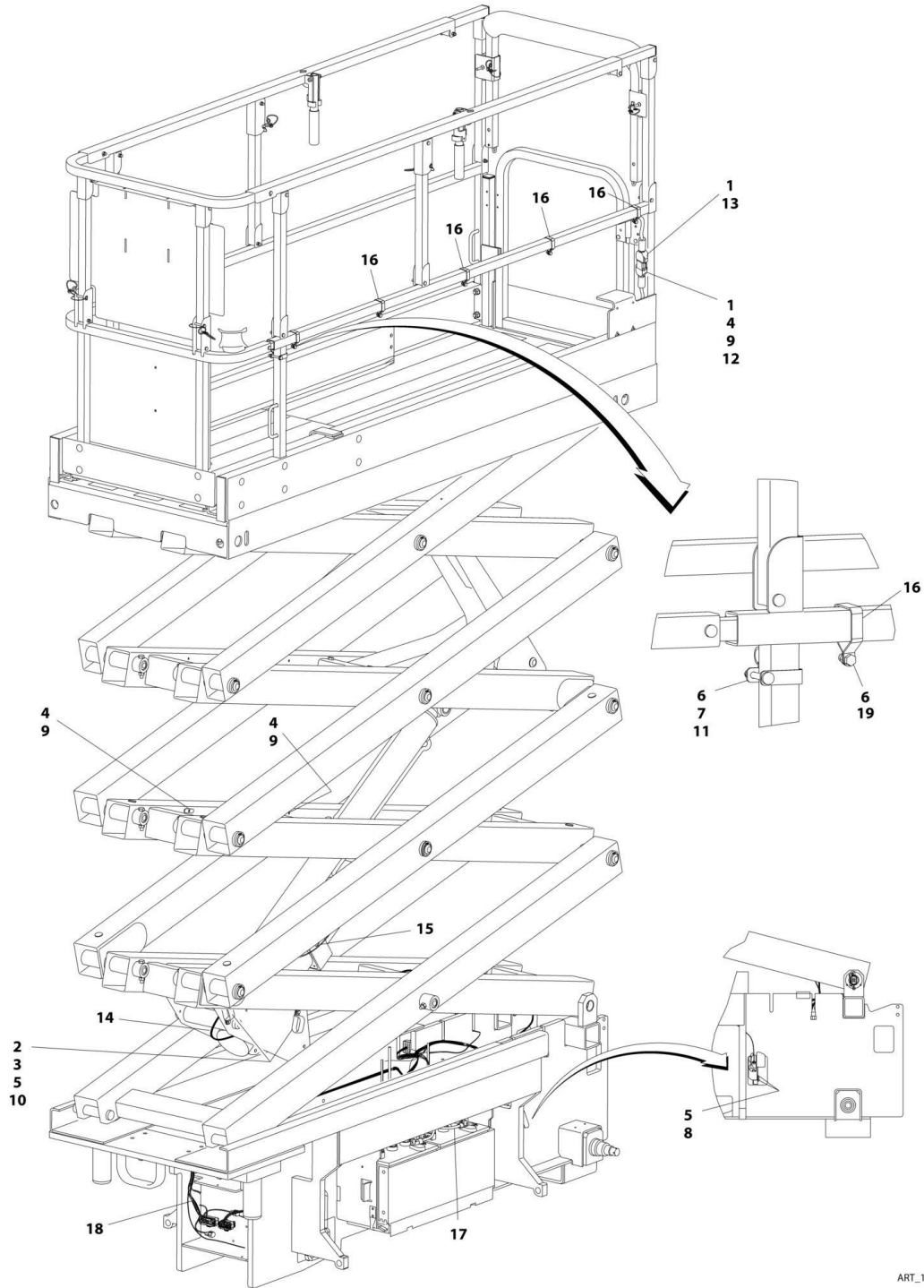
FIGURE 7-22. CABLES INSTALLATION - 2632ES

ITEM	PART NUMBER	QTY	DESCRIPTION	REV
	1001178321	Ref	CABLES INSTALLATION - 2632ES	F
		Ref	Usage Chart	
		Ref	Belgium Built Machines (SN 1200000100 through 1200025120)	
		Ref	China Built Machines (SN B200000100 through B200035088)	
		Ref	Mexico Built Machines	
		Ref	Korea Specs (SN M200017738 through M200039289)	
		Ref	USA Built Machines	
		Ref	ANSI Export and China Spec (SN 0200248241 to Present)	
		Ref	Japanese Specs (SN 0200258070 to Present)	
		Ref	Australian and CE Spec (All Machines)	
1	0100048	AR	Compound, Sealing	
2	0760610	4	Bolt M6 x 20	
3	1321716	2	Clamp	
4	1380158	20	Clip, Retainer	
5	3290605	6	Nut M6	
6	3290606	6	Nut M6	
7	4010616	1	Screw M6 x 40	
8	4031713	2	Capscrew M6 x 45	
9	4740545	11	Washer	
10	4751400	4	Washer 1/4	
11	1001094175	1	Clamp	
12	1001178689	1	Ground to Platform Harness (See GROUND TO PLATFORM HARNESS - 2632ES for Breakdown)	
13	1001096706	1	Platform Harness (Includes Item 16) (See PLATFORM HARNESS for Breakdown) (SN 0200000100 through 0200262518, SN 1200000100 through 1200025120, SN B200000100 through B200035088, SN M200000100 through M200010204)	
13	1001201243	1	Platform Harness (Includes Item 16) (See PLATFORM HARNESS for Breakdown) (SN 0200262519 to Present, SN M200010205 through M200039289)	
14	1001096794	1	Pump Power Harness (See PUMP POWER HARNESS for Breakdown)	
15	1001115002	1	Cylinder Harness (See CYLINDER HARNESS for Breakdown)	
16	1001094180	NLA	Clamp (Use p/n 1001210760) (SN 0200000100 through 0200257625, SN 1200000100 through 1200025120, SN B200000100 through B200035088, SN M200000100 through M200002832)	
16	1001210433	NLA	Clamp (Use p/n 1001210760) (SN 0200257626 to Present, SN M200002833 through M200039289)	
17	1001178317	1	Battery Cable Kit (See BATTERY CABLE KIT for Breakdown)	
18	1001187198	1	Chassis Harness (See CHASSIS HARNESS for Breakdown)	
19	0760606	5	Bolt M6 x 12	

SECTION 7 - ELECTRICAL

FIGURE 7-23. CABLES INSTALLATION - 2632ES

NOTE: SEE USAGE CHART ON PARTS LIST BEFORE ORDERING PARTS.



ART_1001219352

SECTION 7 - ELECTRICAL

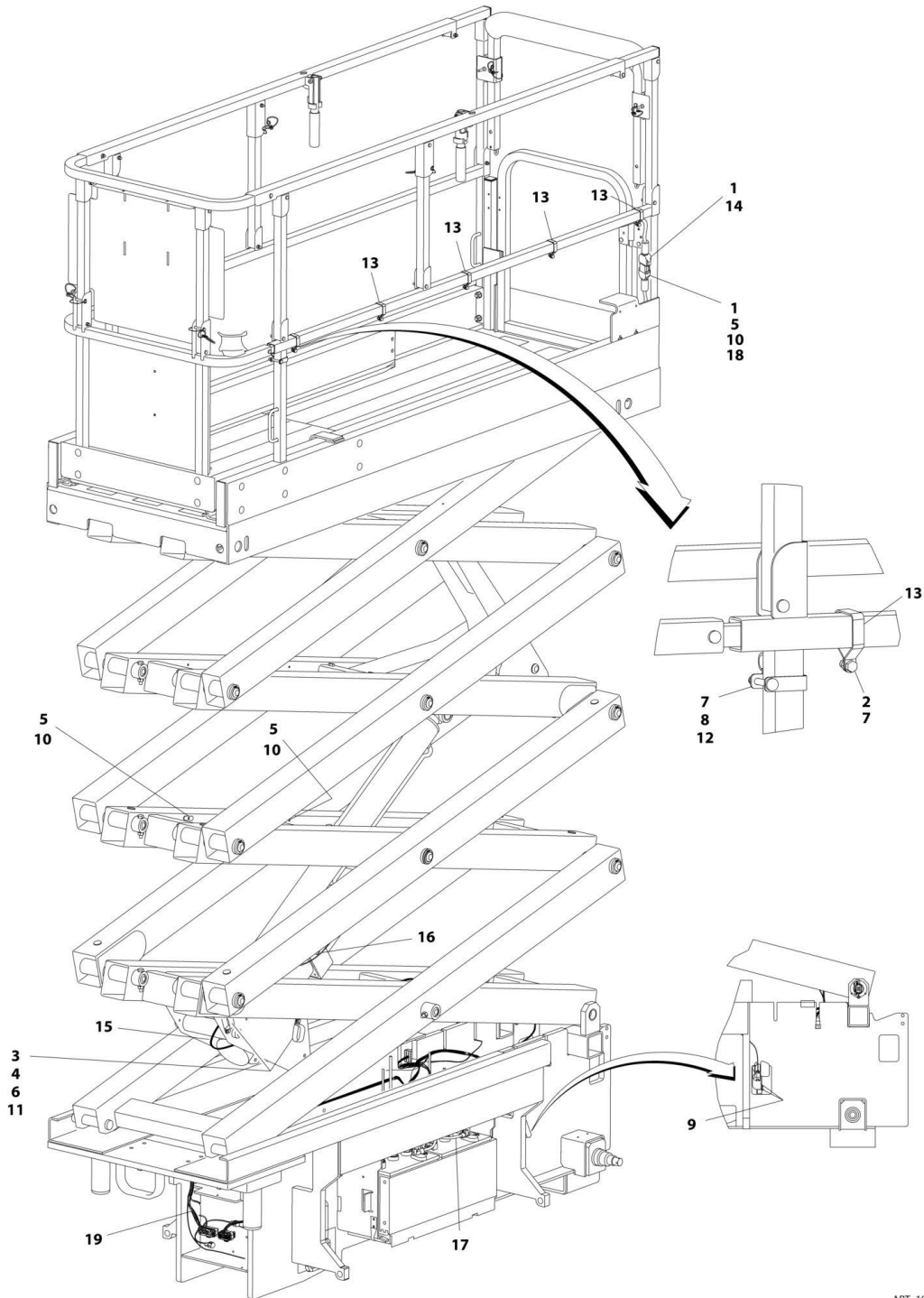
FIGURE 7-23. CABLES INSTALLATION - 2632ES

ITEM	PART NUMBER	QTY	DESCRIPTION	REV
	1001219352	Ref	CABLES INSTALLATION - 2632ES	B
		Ref	Usage Chart	
		Ref	Belgium Built Machines (SN 1200025121 to Present)	
		Ref	China Built Machines (SN B200035089 to Present)	
		Ref	ANSI Export, Australian, CE, Japanese, Korea and China Specs	
1	0100048	AR	Compound, Sealing	
2	0760610	4	Bolt M6 x 20	
3	1321716	2	Clamp	
4	1380158	20	Clip, Retainer	
5	3290605	6	Nut M6	
6	3290606	6	Nut M6	
7	4010616	1	Screw M6 x 40	
8	4031713	2	Capscrew M6 x 45	
9	4740545	11	Washer	
10	4751400	4	Washer 1/4	
11	1001094175	1	Clamp	
12	1001178689	1	Ground to Platform Harness (See GROUND TO PLATFORM HARNESS - 2632ES for Breakdown)	
13	1001096706	1	Platform Harness (Includes Item 16) (See PLATFORM HARNESS for Breakdown)	
14	1001096794	1	Pump Power Harness (See PUMP POWER HARNESS for Breakdown)	
15	1001115002	1	Cylinder Harness (See CYLINDER HARNESS for Breakdown)	
16	1001220668	5	Clamp	
17	1001178317	1	Battery Cable Kit (See BATTERY CABLE KIT for Breakdown)	
18	1001187198	1	Chassis Harness (See CHASSIS HARNESS for Breakdown)	
19	0760606	5	Bolt M6 x 12	
19	0760605	5	Bolt M6 x 10	

SECTION 7 - ELECTRICAL

FIGURE 7-24. CABLES INSTALLATION - 2632ES

NOTE: SEE USAGE CHART ON PARTS LIST BEFORE ORDERING PARTS.



ART_1001196866

SECTION 7 - ELECTRICAL

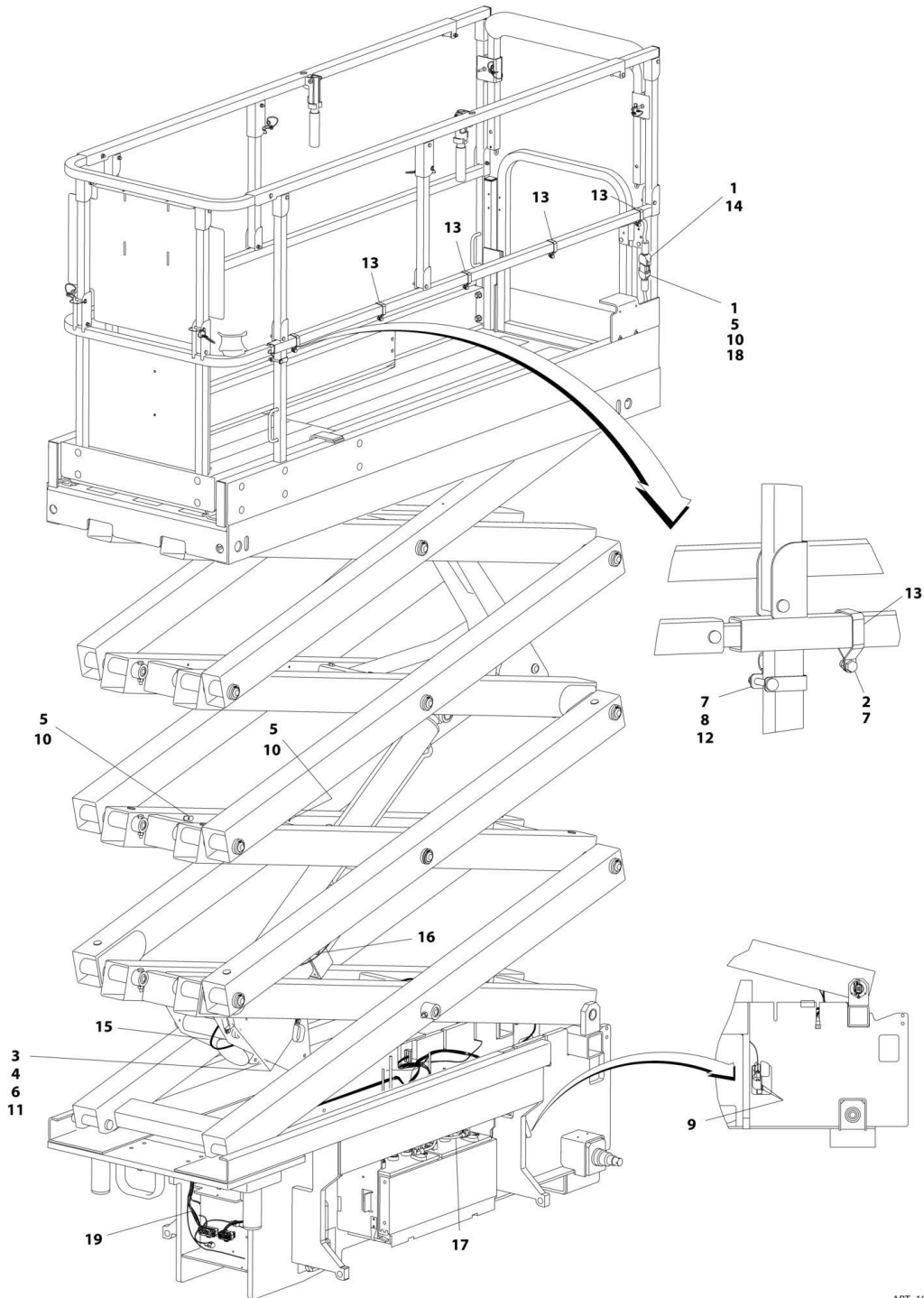
FIGURE 7-24. CABLES INSTALLATION - 2632ES

ITEM	PART NUMBER	QTY	DESCRIPTION	REV
	1001196866	Ref	CABLES INSTALLATION - 2632ES	B
		Ref	Usage Chart	
		Ref	China Built Machines (SN B200000100 through B200035088)	
		Ref	Mexico Built Machines (SN M200000100 through M200039289)	
		Ref	USA Built Machines	
		Ref	UL Machines (All Machines)	
1	0100048	AR	Compound, Sealing	
2	0760606	5	Bolt M6 x 12	
3	0760610	2	Bolt M6 x 20	
4	1321716	2	Clamp	
5	1380158	20	Clip, Retainer	
6	3290601	2	Nut M6	
7	3290606	1	Nut M6	
8	4010616	1	Screw M6 x 40	
9	4031713	2	Capscrew M6 x 45	
10	4740545	11	Washer	
11	4751400	2	Washer 1/4	
12	1001094175	1	Clamp	
13	1001094180	NLA	Clamp (Use p/n 1001210760) (SN 0200000100 through 0200257625, SN B200000100 through B200035088, SN M200000100 through M200002832)	
13	1001210433	NLA	Clamp (Use p/n 1001210760) (SN 0200257626 to Present, SN M200002833 through M200039289)	
14	1001096706	1	Platform Harness (Includes Item 13) (See PLATFORM HARNESS for Breakdown) (SN 0200000100 through 0200262518, SN B200000100 through B200035088, SN M200000100 through M200010204)	
14	1001201243	1	Platform Harness (Includes Item 13) (See PLATFORM HARNESS for Breakdown) (SN 0200262519 to Present, SN M200010205 through M200039289)	
15	1001096794	1	Pump Power Harness (See PUMP POWER HARNESS for Breakdown)	
16	1001115002	1	Cylinder Harness (See CYLINDER HARNESS for Breakdown)	
17	1001178317	1	Battery Cable Kit (See BATTERY CABLE KIT for Breakdown)	
18	1001178688	1	Ground to Platform Harness (See GROUND TO PLATFORM HARNESS - 2632ES for Breakdown)	
19	1001196835	1	Chassis Harness (See CHASSIS HARNESS for Breakdown)	

SECTION 7 - ELECTRICAL

FIGURE 7-25. CABLES INSTALLATION - 2632ES

NOTE: SEE USAGE CHART ON PARTS LIST BEFORE ORDERING PARTS.



ART_1001219359

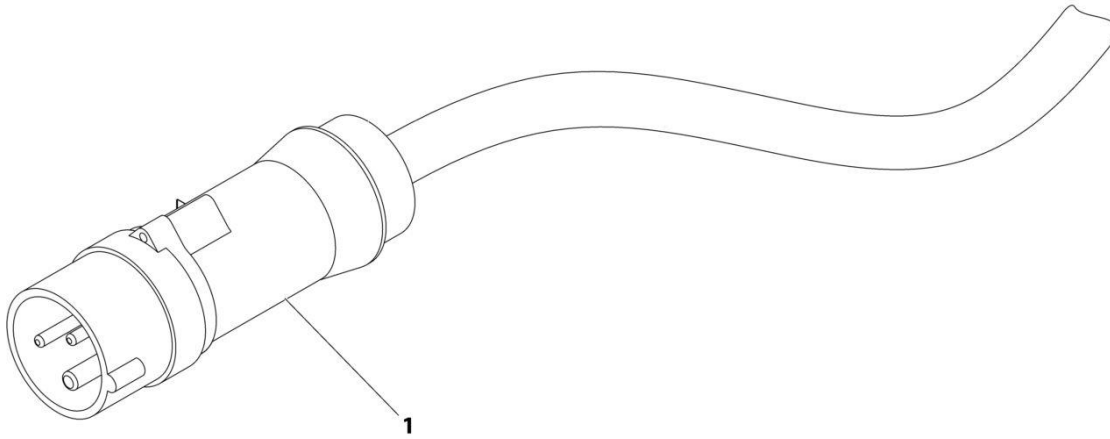
SECTION 7 - ELECTRICAL

FIGURE 7-25. CABLES INSTALLATION - 2632ES

ITEM	PART NUMBER	QTY	DESCRIPTION	REV
	1001219359	Ref	CABLES INSTALLATION - 2632ES	B
		Ref	Usage Chart	
		Ref	China Built Machines (SN B200035089 to Present)	
		Ref	UL Machines	
1	0100048	AR	Compound, Sealing	
2	0760606	5	Bolt M6 x 12	
2	0760605	5	Bolt M6 x 10	
3	0760610	2	Bolt M6 x 20	
4	1321716	1	Clamp	
5	1380158	20	Clip, Retainer	
6	3290601	2	Nut M6	
7	3290606	6	Nut M6	
8	4010616	1	Screw M6 x 40	
9	4031713	2	Capscrew M6 x 45	
10	4740545	11	Washer	
11	4751400	4	Washer 1/4	
12	1001094175	1	Clamp	
13	1001220668	5	Clamp	
14	1001096706	1	Platform Harness (Includes Item 13) (See PLATFORM HARNESS for Breakdown)	
15	1001096794	1	Pump Power Harness (See PUMP POWER HARNESS for Breakdown)	
16	1001115002	1	Cylinder Harness (See CYLINDER HARNESS for Breakdown)	
17	1001178317	1	Battery Cable Kit (See BATTERY CABLE KIT for Breakdown)	
18	1001178688	1	Ground to Platform Harness (See GROUND TO PLATFORM HARNESS - 2632ES for Breakdown)	
19	1001196835	1	Chassis Harness (See CHASSIS HARNESS for Breakdown)	

SECTION 7 - ELECTRICAL

FIGURE 7-26. CHARGER CORD PLUG INSTALLATION - 110V IEC YELLOW (CE SPEC ONLY)



ART_0275666

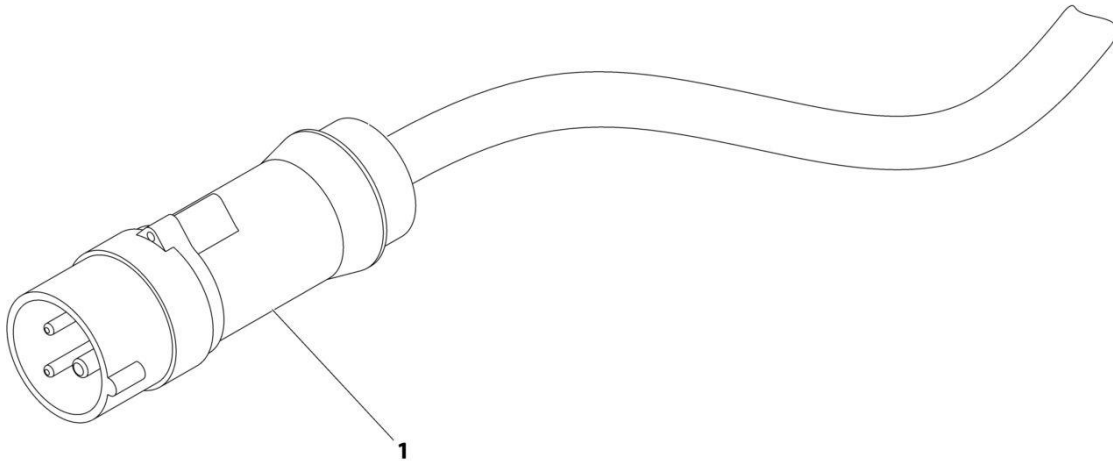
SECTION 7 - ELECTRICAL

FIGURE 7-26. CHARGER CORD PLUG INSTALLATION - 110V IEC YELLOW (CE SPEC ONLY)

ITEM	PART NUMBER	QTY	DESCRIPTION	REV
	0275666	Ref	CHARGER CORD PLUG INSTALLATION - 110V IEC YELLOW (CE SPEC ONLY)	A
1	4461196	1	Plug	

SECTION 7 - ELECTRICAL

FIGURE 7-27. CHARGER CORD PLUG INSTALLATION - 220V IEC BLUE (CE SPEC)



ART_0275667

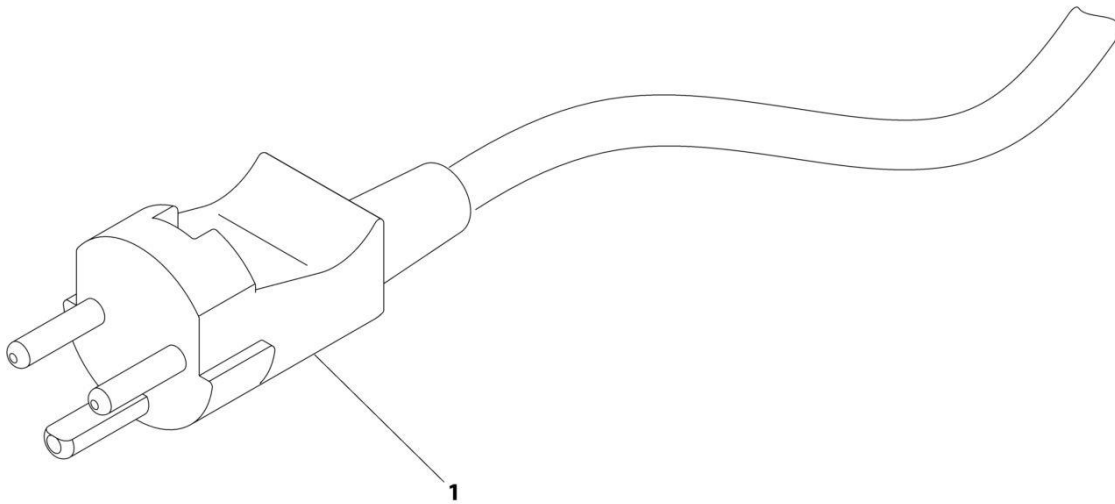
SECTION 7 - ELECTRICAL

FIGURE 7-27. CHARGER CORD PLUG INSTALLATION - 220V IEC BLUE (CE SPEC)

ITEM	PART NUMBER	QTY	DESCRIPTION	REV
	0275667	Ref	CHARGER CORD PLUG INSTALLATION - 220V IEC BLUE (CE SPEC)	A
1	4461199	1	Plug	

SECTION 7 - ELECTRICAL

FIGURE 7-28. CHARGER CORD PLUG INSTALLATION - 220V AFSINT 107 (CE SPEC)



ART_0275665

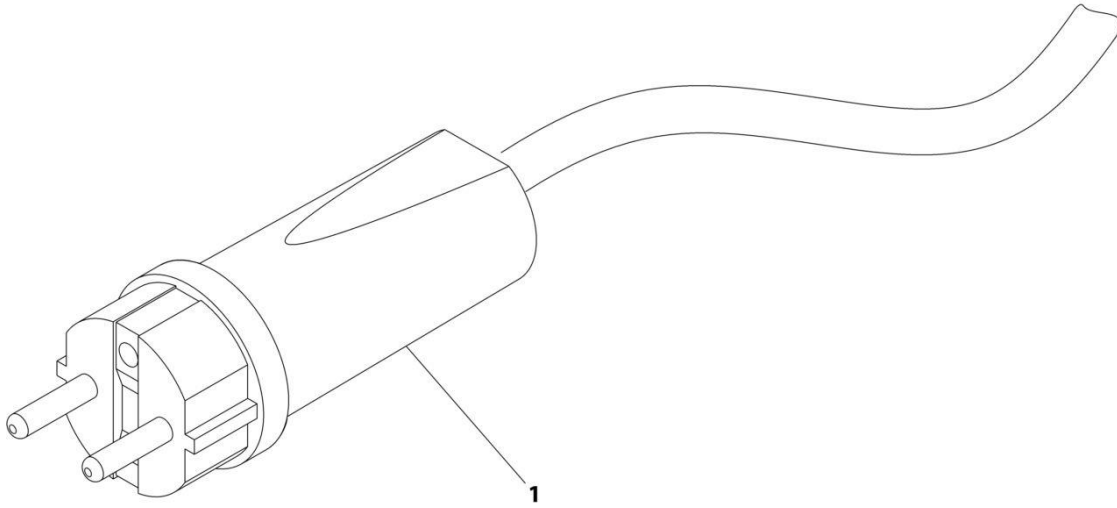
SECTION 7 - ELECTRICAL

FIGURE 7-28. CHARGER CORD PLUG INSTALLATION - 220V AFSINT 107 (CE SPEC)

ITEM	PART NUMBER	QTY	DESCRIPTION	REV
	0275665	Ref	CHARGER CORD PLUG INSTALLATION - 220V AFSINT 107 (CE SPEC)	A
1	4461249	1	Plug	

SECTION 7 - ELECTRICAL

FIGURE 7-29. CHARGER CORD PLUG INSTALLATION - 220V CEE7 SIDE GROUND (CE SPEC)



ART_0275664

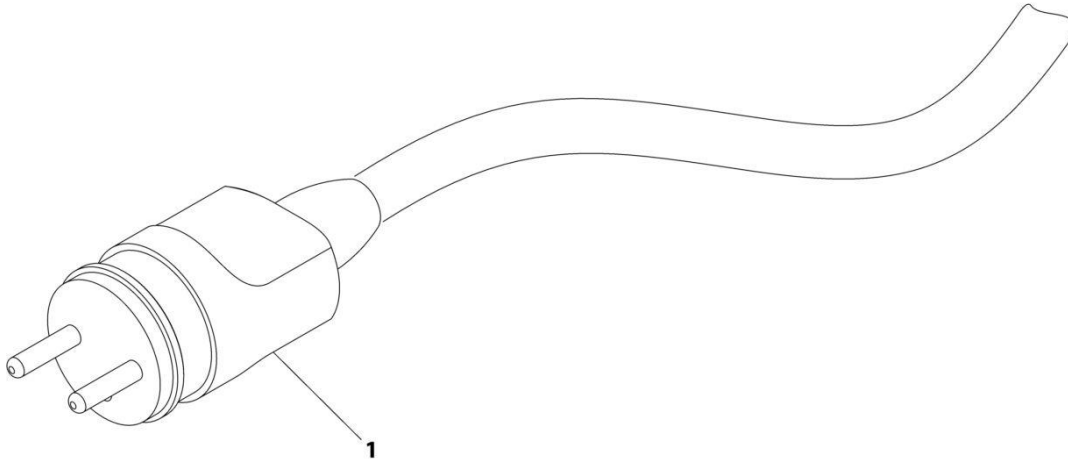
SECTION 7 - ELECTRICAL

FIGURE 7-29. CHARGER CORD PLUG INSTALLATION - 220V CEE7 SIDE GROUND (CE SPEC)

ITEM	PART NUMBER	QTY	DESCRIPTION	REV
	0275664	Ref	CHARGER CORD PLUG INSTALLATION - 220V CEE7 SIDE GROUND (CE SPEC)	A
1	4461205	1	Plug	

SECTION 7 - ELECTRICAL

FIGURE 7-30. CHARGER CORD PLUG INSTALLATION - 220V POST GROUND (CE SPEC)



ART_0275663

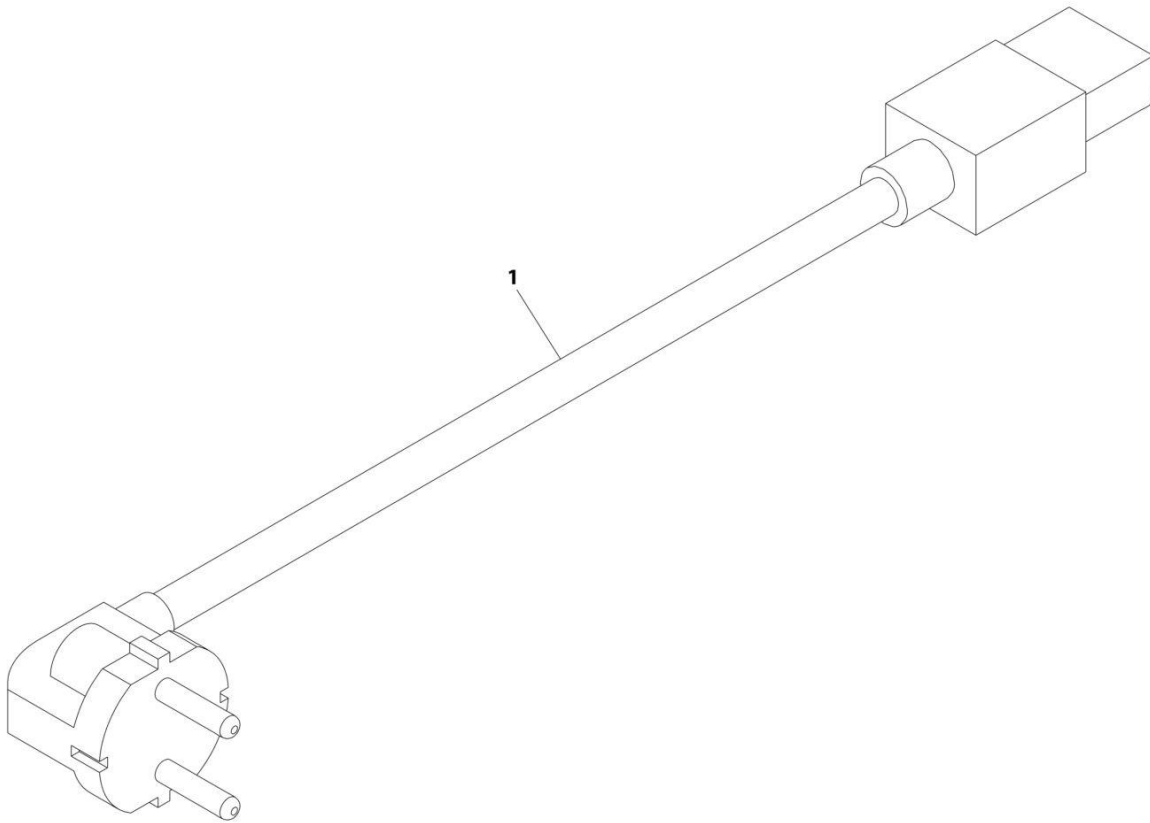
SECTION 7 - ELECTRICAL

FIGURE 7-30. CHARGER CORD PLUG INSTALLATION - 220V POST GROUND (CE SPEC)

ITEM	PART NUMBER	QTY	DESCRIPTION	REV
	0275663	Ref	CHARGER CORD PLUG INSTALLATION - 220V POST GROUND (CE SPEC)	C
1	4461202	NLA	Plug (Use p/n 4461205) (SN 0200239382 through 0200256617, SN B200020297 through B200037114, SN M200000100 through M200002249)	
1	4461205	1	Plug (SN 0200256618 to Present, SN B200037115 to Present, SN M200002250 through M200039289)	

SECTION 7 - ELECTRICAL

FIGURE 7-31. CHARGER CORD PLUG INSTALLATION (KOREA SPEC)



ART_1001221984

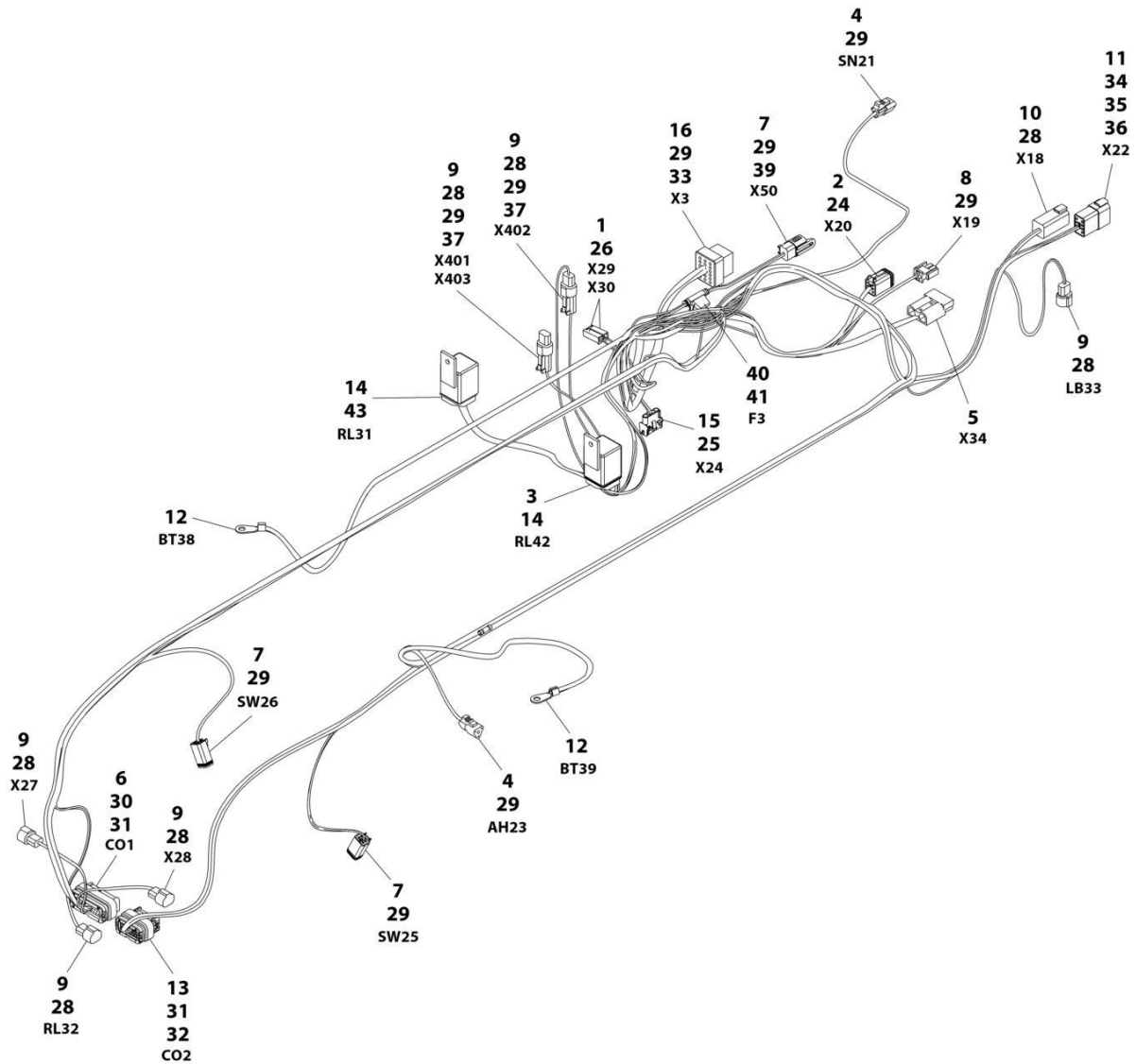
SECTION 7 - ELECTRICAL

FIGURE 7-31. CHARGER CORD PLUG INSTALLATION (KOREA SPEC)

ITEM	PART NUMBER	QTY	DESCRIPTION	REV
1	1001221984	Ref	CHARGER CORD PLUG INSTALLATION (KOREA SPEC)	A
	1001221949	1	AC Input Cord and Plug	

SECTION 7 - ELECTRICAL

FIGURE 7-32. CHASSIS HARNESS (SN 020000100 to Present, SN B20000100 through B200061738, SN M20000100 to Present, SN 120000100 to Present)



ART_1001187198

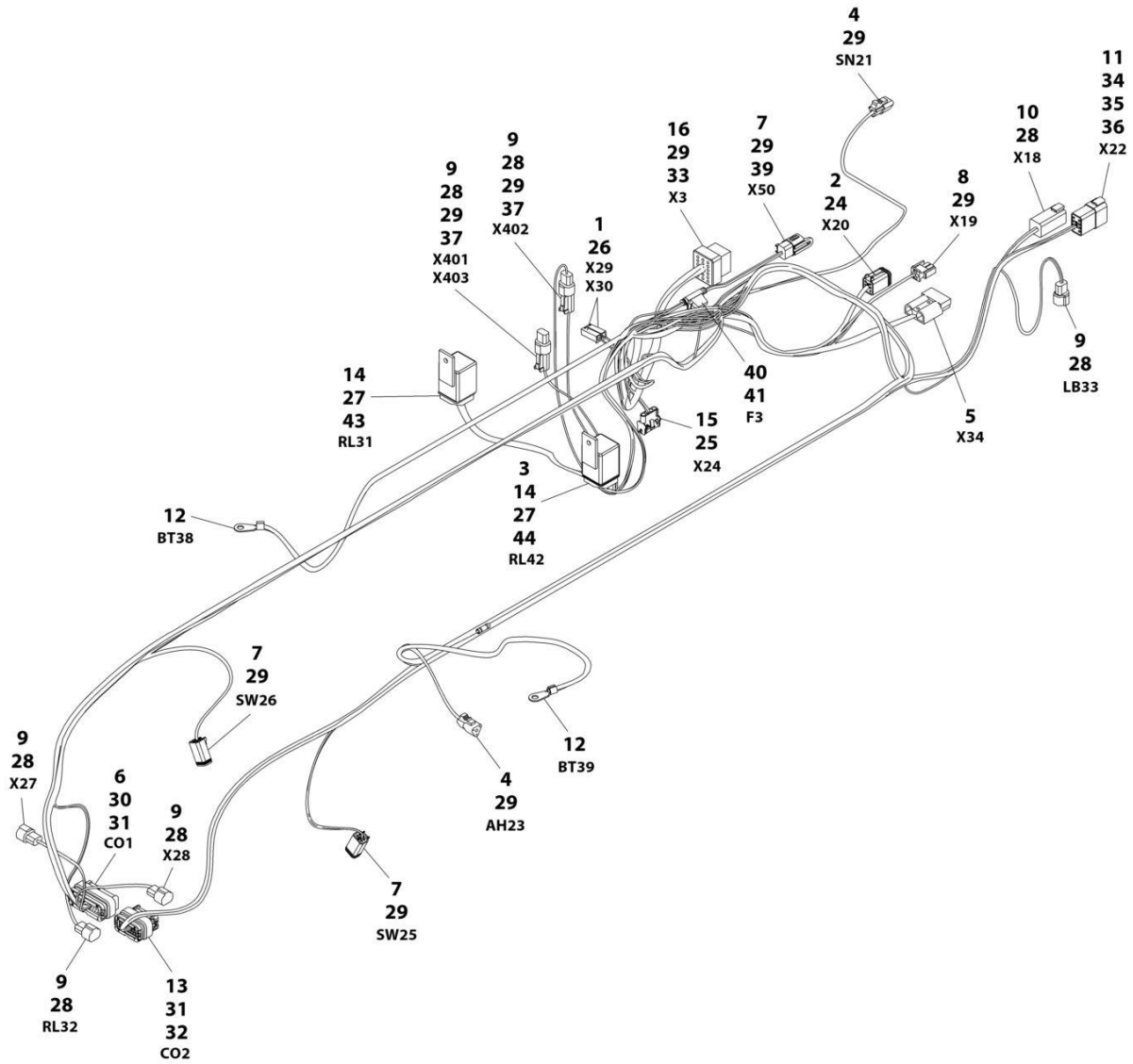
SECTION 7 - ELECTRICAL

FIGURE 7-32. CHASSIS HARNESS (SN 0200000100 to Present, SN B200000100 through B200061738, SN M200000100 to Present, SN 1200000100 to Present)

ITEM	PART NUMBER	QTY	DESCRIPTION	REV
	1001187198	Ref	CHASSIS HARNESS	E
1	4460260	2	Housing, Terminal	
2	4460320	1	Plug, Male - 2 Position	
3	4460374	1	Plug, Relay	
4	4460539	2	Plug, Male - 3 Position	
5	4460648	1	Connector, Anderson	
6	4460873	1	Connector - 35 Position (Black)	
7	4460884	3	Plug, Male - 4 Position	
8	4460894	1	Plug, Male - 6 Position	
9	4460897	6	Receptacle, Female - 2 Position	
10	4460899	1	Receptacle, Female - 6 Position	
11	4460931	1	Receptacle, Female - 8 Position	
12	4460986	2	Terminal, Ring	
13	1001096138	1	Connector - 23 Position	
14	1001097347	1	Relay	
15	4460761	1	Receptacle, Female - 4 Position	
16	1001115076	1	Connector - 18 Position	
24	4460226	2	Socket, Female	
25	4460227	4	Pin, Male	
26	4460259	2	Terminal	
27	4460375	8	Terminal	
28	4460464	18	Pin, Male	
29	4460465	32	Socket, Female	
30	4460466	9	Seal	
31	4460871	39	Socket, Female	
32	4460905	20	Seal	
33	4460942	2	Socket, Female	
34	4460943	3	Pin, Male	
35	0840058	1	Boot	
36	2820028	AR	Heat Shrink	
37	4460891	2	Plug, Male - 2 Position	
39	1001192401	1	Cap, Dust	
40	2400060	1	Fuseholder with Cover	
41	8229242	1	Fuse 5Amp	
43	1001117057	1	Connector - 4 Position	

SECTION 7 - ELECTRICAL

FIGURE 7-33. CHASSIS HARNESS (SN B200061739 to Present)



ART_1001187198_F

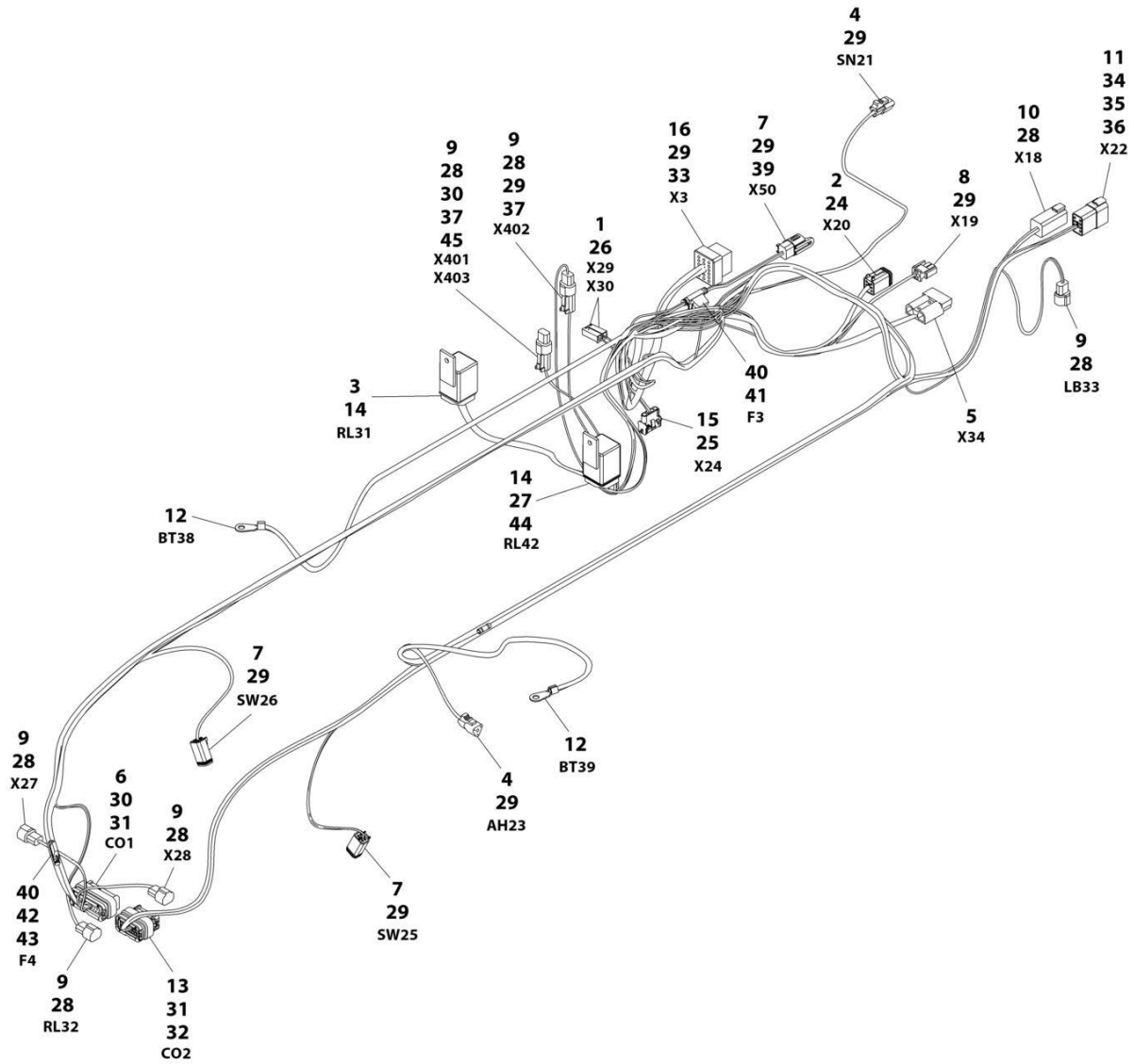
SECTION 7 - ELECTRICAL

FIGURE 7-33. CHASSIS HARNESS (SN B200061739 to Present)

ITEM	PART NUMBER	QTY	DESCRIPTION	REV
	1001187198	Ref	CHASSIS HARNESS	F
1	4460260	2	Housing, Terminal	
2	4460320	1	Plug, Male - 2 Position	
3	4460374	1	Plug, Relay	
4	4460539	2	Plug, Male - 3 Position	
5	4460648	1	Connector, Anderson	
6	4460873	1	Connector - 35 Position (Black)	
7	4460884	3	Plug, Male - 4 Position	
8	4460894	1	Plug, Male - 6 Position	
9	4460897	6	Receptacle, Female - 2 Position	
10	4460899	1	Receptacle, Female - 6 Position	
11	4460931	1	Receptacle, Female - 8 Position	
12	4460986	2	Terminal, Ring	
13	1001096138	1	Connector - 23 Position	
14	1001097347	1	Relay	
15	4460761	1	Receptacle, Female - 4 Position	
16	1001115076	1	Connector - 18 Position	
24	4460226	2	Socket, Female	
25	4460227	4	Pin, Male	
26	4460259	2	Terminal	
27	1001116732	7	Terminal	
28	4460464	18	Pin, Male	
29	4460465	34	Socket, Female	
30	4460466	9	Seal	
31	4460871	39	Socket, Female	
32	4460905	20	Seal	
33	4460942	2	Socket, Female	
34	4460943	3	Pin, Male	
35	0840058	1	Boot	
36	2820029	AR	Heat Shrink	
37	4460891	2	Plug, Male - 2 Position	
39	1001192401	1	Cap, Dust	
40	2400060	1	Fuseholder with Cover	
41	8229242	1	Fuse 5Amp	
43	1001117057	1	Connector - 4 Position	
44	1001116733	2	Terminal	

SECTION 7 - ELECTRICAL

FIGURE 7-34. CHASSIS HARNESS - UL SPEC



ART_1001196835

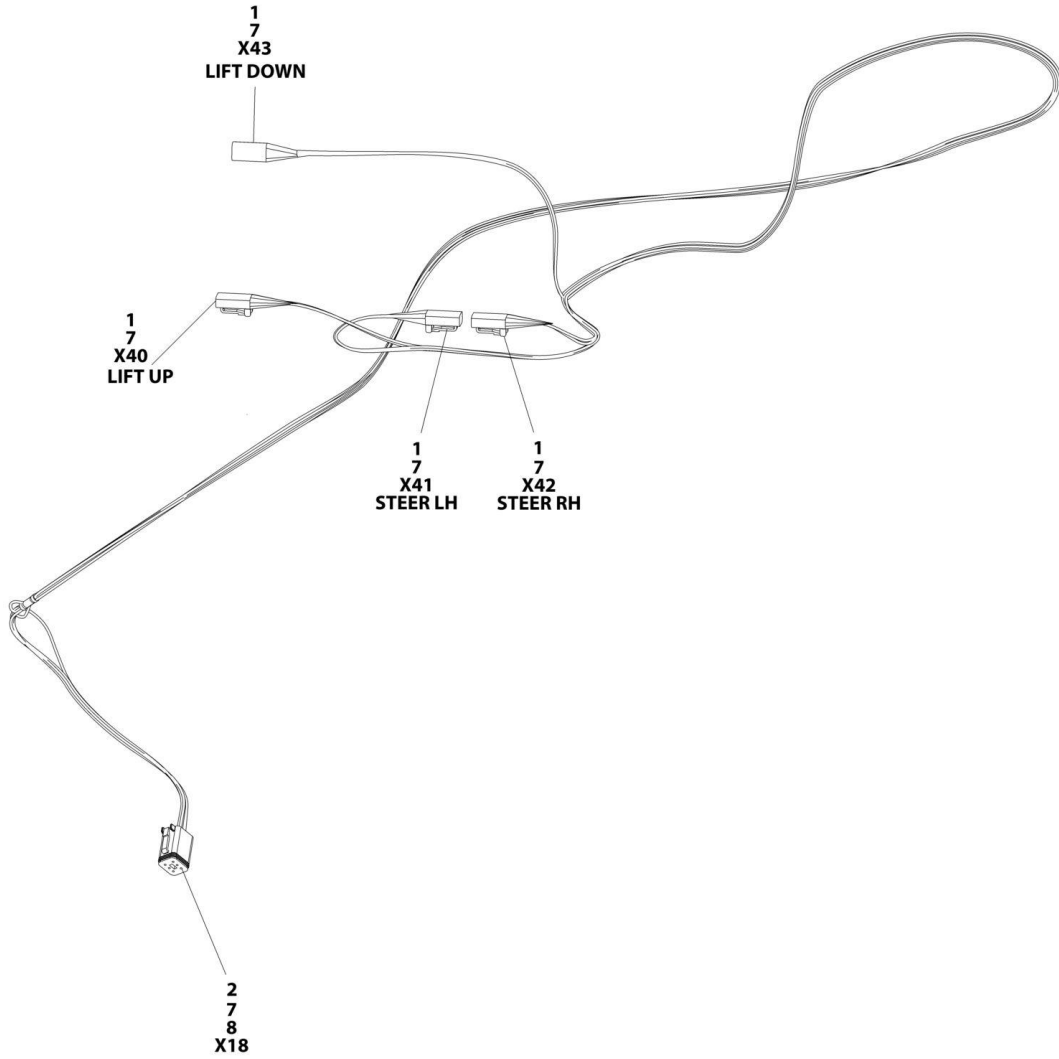
SECTION 7 - ELECTRICAL

FIGURE 7-34. CHASSIS HARNESS - UL SPEC

ITEM	PART NUMBER	QTY	DESCRIPTION	REV
	1001196835	Ref	CHASSIS HARNESS - UL SPEC	D
1	4460260	2	Housing, Terminal	
2	4460320	1	Plug, Male - 2 Position	
3	4460374	1	Plug, Relay	
4	4460539	2	Plug, Male - 3 Position	
5	4460648	1	Connector, Anderson	
6	4460873	1	Connector - 35 Position (Black)	
7	4460884	3	Plug, Male - 4 Position	
8	4460894	1	Plug, Male - 6 Position	
9	4460897	6	Receptacle, Female - 2 Position	
10	4460899	1	Receptacle, Female - 6 Position	
11	4460931	1	Receptacle, Female - 8 Position	
12	4460986	2	Terminal, Ring	
13	1001096138	1	Connector - 23 Position	
14	1001097347	1	Relay	
15	4460761	1	Receptacle, Female - 4 Position	
16	1001116076	1	Connector - 18 Position	
24	4460226	2	Socket, Female	
25	4460227	4	Pin, Male	
26	4460259	2	Terminal	
27	4460375	AR	Terminal	
28	4460464	AR	Pin, Male	
29	4460465	AR	Socket, Female	
30	4460466	AR	Seal	
31	4460871	39	Socket, Female	
32	4460905	AR	Seal	
33	4460942	2	Socket, Female	
34	4460943	3	Pin, Male	
35	0840058	1	Boot	
36	2820028	AR	Heat Shrink	
37	4460891	2	Plug, Male - 2 Position	
39	1001192401	1	Cap, Dust	
40	2400060	2	Fuseholder with Cover	
41	8229242	1	Fuse 5Amp	
42	1001196838	1	Fuse 3Amp	
43	2820152	AR	Heat Shrink	
44	4460374	1	Plug, Relay (SN 0200000100 through 0200260032, SN B200000100 through B200034849, SN M200000100 through M200005828)	
44	1001117057	1	Plug, Relay (SN 0200260033 to Present, SN B200034850 to Present, SN M200005829 through M200039289)	
45	1001157890	1	Terminal (SN 0200260033 to Present, SN B200034850 to Present, SN M200005829 through M200039289)	

SECTION 7 - ELECTRICAL

FIGURE 7-35. CYLINDER HARNESS



ART_1001115002

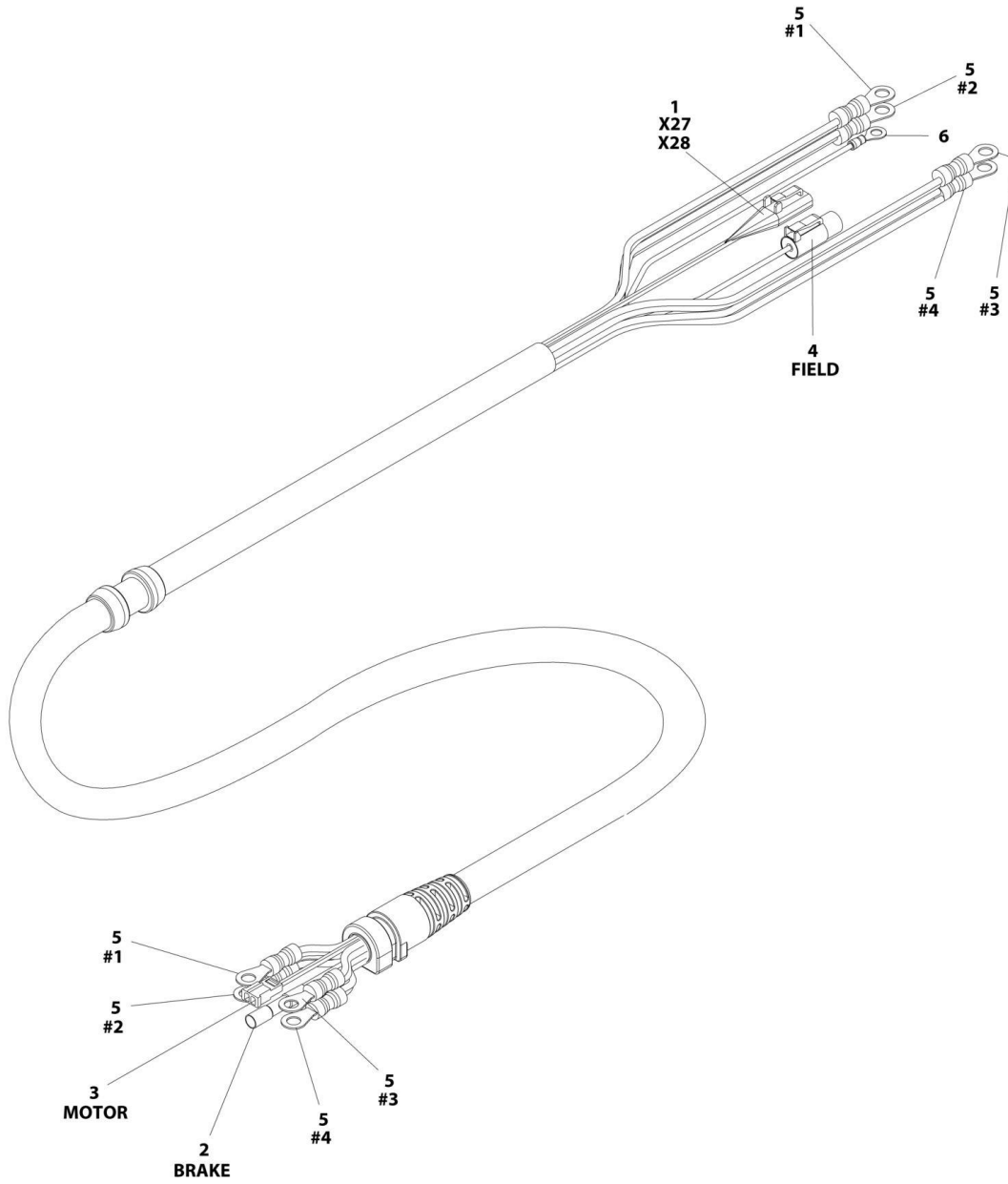
SECTION 7 - ELECTRICAL

FIGURE 7-35. CYLINDER HARNESS

ITEM	PART NUMBER	QTY	DESCRIPTION	REV
	1001115002	Ref	CYLINDER HARNESS	C
1	4460891	4	Plug, Male - 2 Position	
2	4460894	1	Plug, Male - 6 Position	
7	4460465	14	Socket, Female	
8	0840059	1	Boot	

SECTION 7 - ELECTRICAL

FIGURE 7-36. DRIVE CABLE ASSEMBLY



ART_1001132439

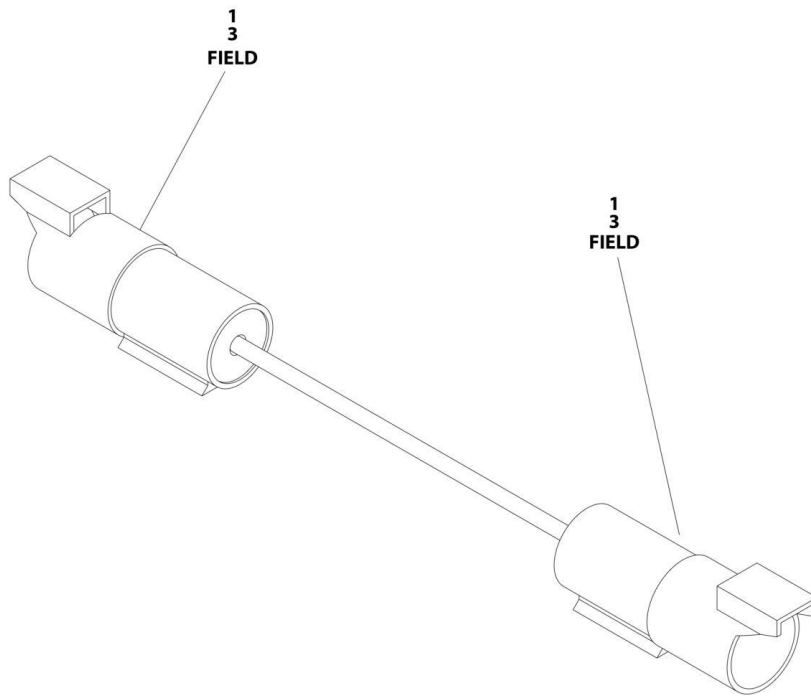
SECTION 7 - ELECTRICAL

FIGURE 7-36. DRIVE CABLE ASSEMBLY

ITEM	PART NUMBER	QTY	DESCRIPTION	REV
	1001132439	Ref	DRIVE CABLE ASSEMBLY	B
1	4460891	1	Plug, Male - 2 Position	
1	4460465	2	Socket, Female	
2	70001442	1	Plug, Male - 2 Position	
2	See Note	NSS	Socket, Female (Note: Not Available for Purchase)	
3	70001443	1	Plug, Male - 2 Position	
3	70001444	2	Socket, Female	
4	4461261	1	Plug, Male - 1 Position	
4	4460509	1	Terminal	
5	See Note	NSS	Terminal, Ring (Note: Not Available for Purchase)	
6	See Note	NSS	Terminal, Ring (Note: Not Available for Purchase)	

SECTION 7 - ELECTRICAL

FIGURE 7-37. DRIVE FIELD CONNECTION HARNESS



ART_4923602

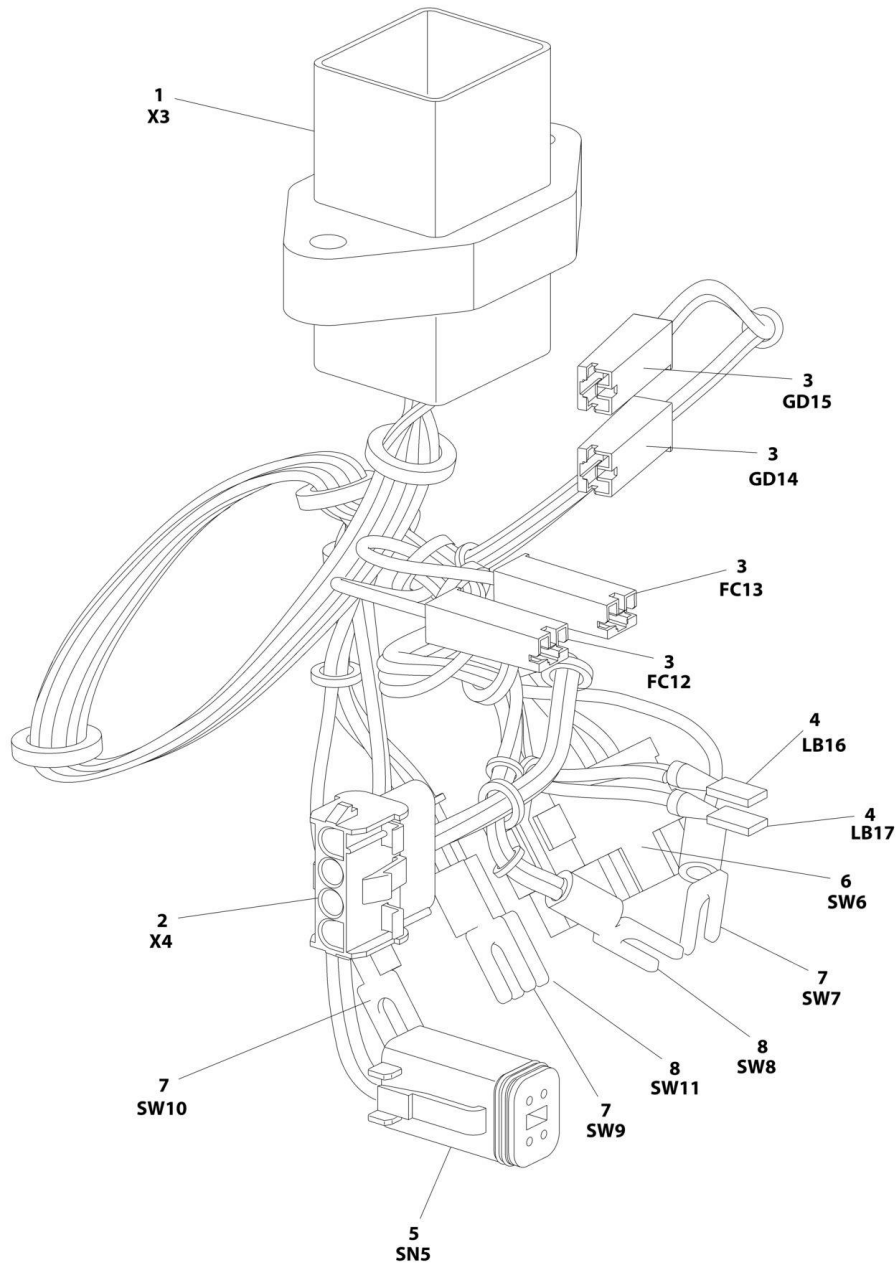
SECTION 7 - ELECTRICAL

FIGURE 7-37. DRIVE FIELD CONNECTION HARNESS

ITEM	PART NUMBER	QTY	DESCRIPTION	REV
	4923602	Ref	DRIVE FIELD CONNECTION HARNESS	C
1	4461260	2	Receptacle, Female - 1 Position	
3	4460508	2	Pin, Male	

SECTION 7 - ELECTRICAL

FIGURE 7-38. GROUND CONTROL BOX HARNESS (SN B200000100 through B200023311)



ART_1001114935

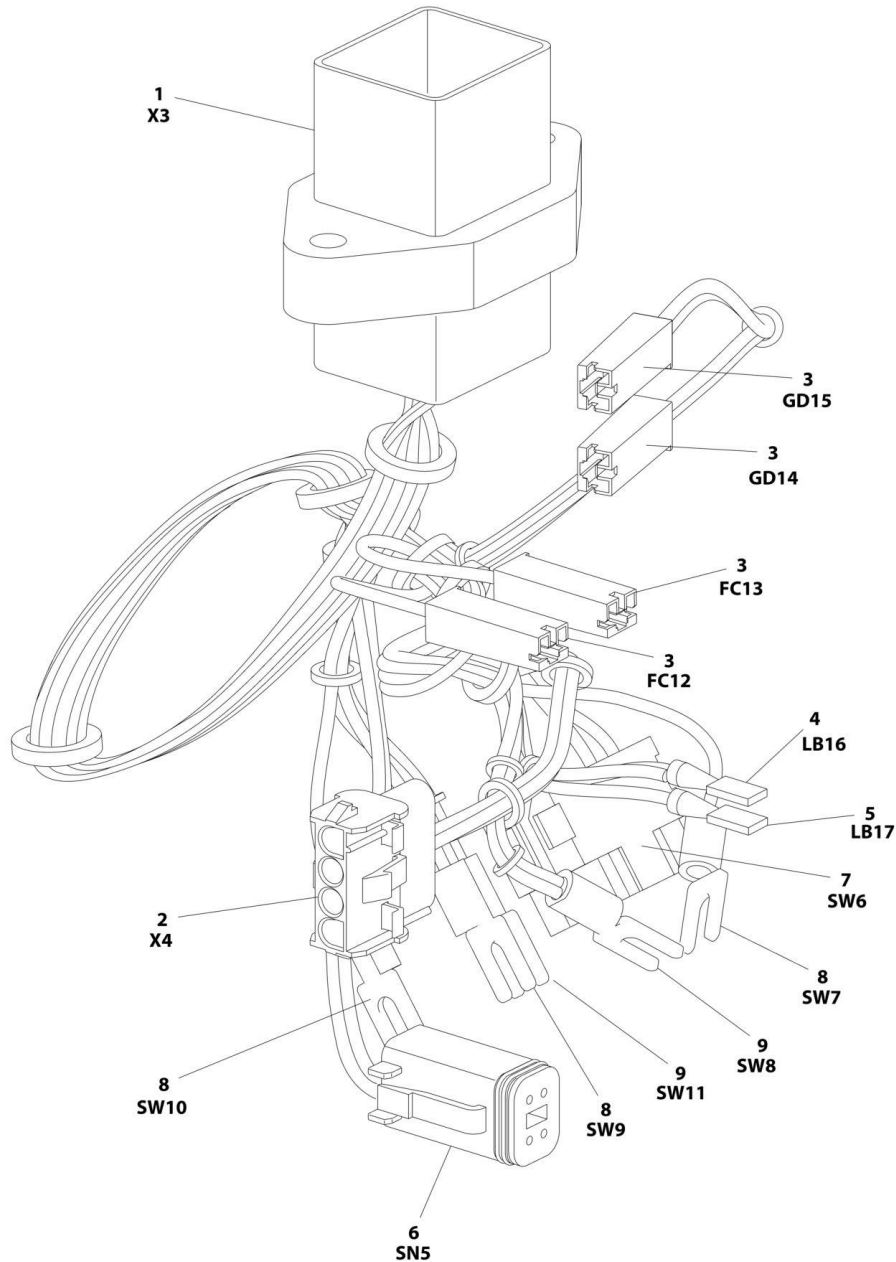
SECTION 7 - ELECTRICAL

FIGURE 7-38. GROUND CONTROL BOX HARNESS (SN B20000100 through B200023311)

ITEM	PART NUMBER	QTY	DESCRIPTION	REV
	1001114935	Ref	GROUND CONTROL BOX HARNESS (SN B20000100 through B200023311)	B
1	See Note	NSS	Connector - 18 Position (Note: Not Available for Purchase)	
1	See Note	NSS	Terminal (Note: Not Available for Purchase)	
2	4460961	1	Receptacle, Female - 4 Position	
2	4460267	4	Pin, Male	
3	4460260	4	Housing, Terminal	
3	4460259	4	Terminal	
4	See Note	NSS	Terminal	
5	4461077	1	Plug, Male - 4 Position	
5	4460944	4	Socket, Female	
6	4460418	1	Connector - 6 Position	
6	4460419	3	Terminal	
7	See Note	NSS	Terminal, Fork (Note: Not Available for Purchase)	
8	See Note	NSS	Terminal, Fork (Note: Not Available for Purchase)	

SECTION 7 - ELECTRICAL

FIGURE 7-39. GROUND CONTROL BOX HARNESS (SN 020000001 to Present, SN 120025021 to Present, SN B200023312 to Present, SN M200000100 through M200039289)



ART_1001167256

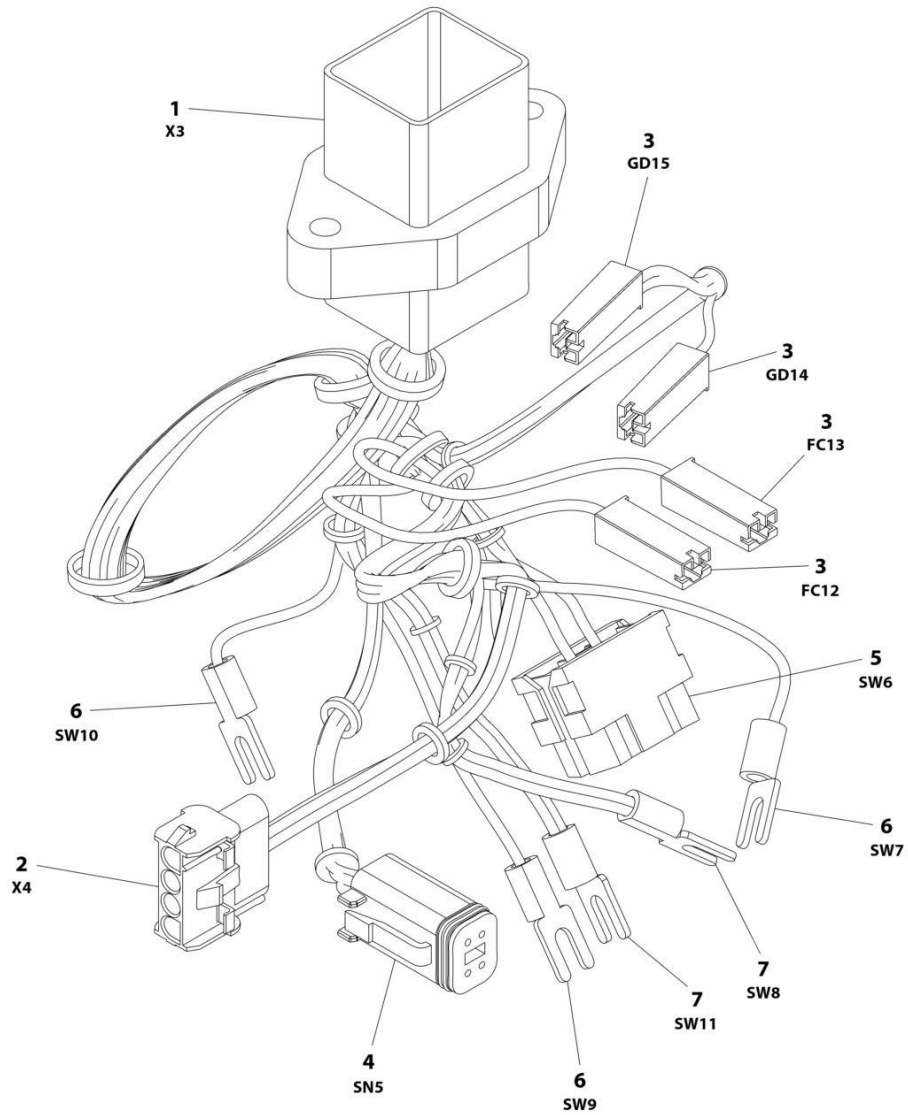
SECTION 7 - ELECTRICAL

FIGURE 7-39. GROUND CONTROL BOX HARNESS (SN 020000001 to Present, SN 1200025021 to Present, SN B200023312 to Present, SN M200000100 through M200039289)

ITEM	PART NUMBER	QTY	DESCRIPTION	REV
	1001167256	Ref	GROUND CONTROL BOX HARNESS	E
1	1001115077	1	Connector - 18 Position	
1	4460464	14	Pin, Male	
1	4460943	2	Pin, Male	
1	4460466	2	Seal	
2	1001119032	1	Connector - 4 Position	
2	4460268	4	Socket, Female	
3	4460260	4	Housing, Terminal	
3	4460259	4	Terminal	
4	1001202618	1	Terminal	
5	1001202619	1	Terminal	
6	4461077	1	Connector - 4 Position (SN 0200000001 through 0200261519, SN B200023312 through B200037637, SN M200000100 through M200007496)	
6	4460884	1	Connector - 4 Position (SN 0200261520 to Present, SN 1200025021 to Present, SN B200037638 to Present, SN M200007497 through M200039289)	
6	4460918	4	Socket, Female	
7	4460418	1	Connector - 6 Position	
7	1001159186	3	Terminal	
8	4460183	3	Terminal, Fork	
9	4460115	2	Terminal, Fork	

SECTION 7 - ELECTRICAL

FIGURE 7-40. GROUND CONTROL BOX HARNESS - NO LSS (SN 0200266380 to Present, SN B200042925 to Present, SN M200012165 through M200039289)



ART_1001208641

SECTION 7 - ELECTRICAL

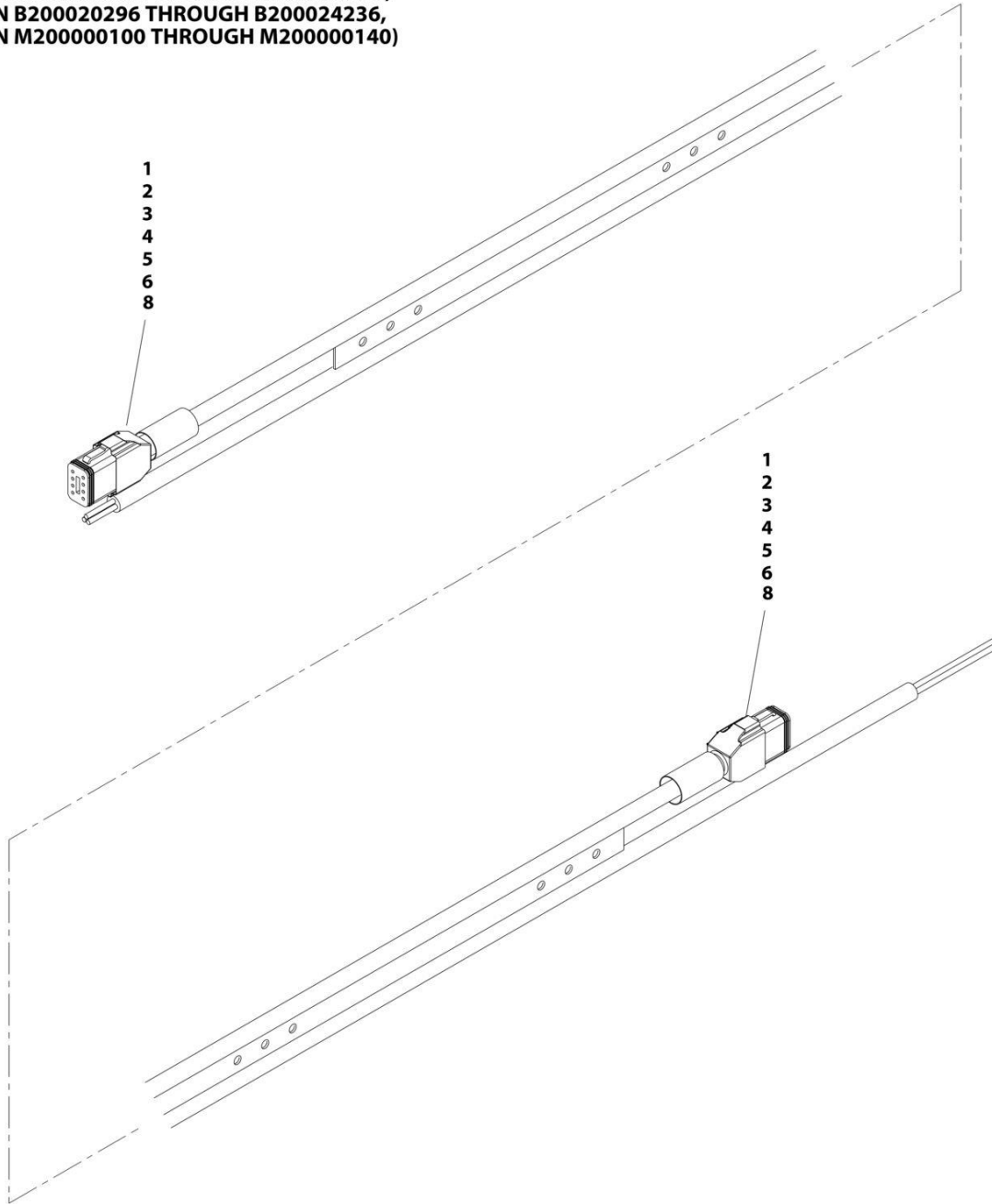
FIGURE 7-40. GROUND CONTROL BOX HARNESS - NO LSS (SN 0200266380 to Present, SN B200042925 to Present, SN M200012165 through M200039289)

ITEM	PART NUMBER	QTY	DESCRIPTION	REV
	1001208641	Ref	GROUND CONTROL BOX HARNESS - NO LSS	A
1	1001115077	1	Connector - 18 Position	
1	4460464	13	Pin, Male	
1	4460943	2	Pin, Male	
1	4460466	3	Seal	
2	1001119032	1	Connector - 4 Position	
2	4460268	4	Socket, Female	
3	4460260	4	Housing, Terminal	
3	4460259	4	Terminal	
4	4460884	1	Connector - 4 Position	
4	4460918	4	Socket, Female	
5	4460418	1	Connector - 6 Position	
5	1001159186	3	Terminal	
6	4460183	3	Terminal, Fork	
7	4460115	2	Terminal, Fork	

SECTION 7 - ELECTRICAL

FIGURE 7-41. GROUND TO PLATFORM HARNESS - 2032ES

USAGE CHART :
ANSI, CSA, JAPANESE AND UL SPECS (ALL MACHINES)
ANSI EXPORT AND CHINA SPECS
(SN 0200239382 THROUGH 0200248240,
SN B200020296 THROUGH B200024236,
SN M200000100 THROUGH M200000140)



ART_1001178687

SECTION 7 - ELECTRICAL

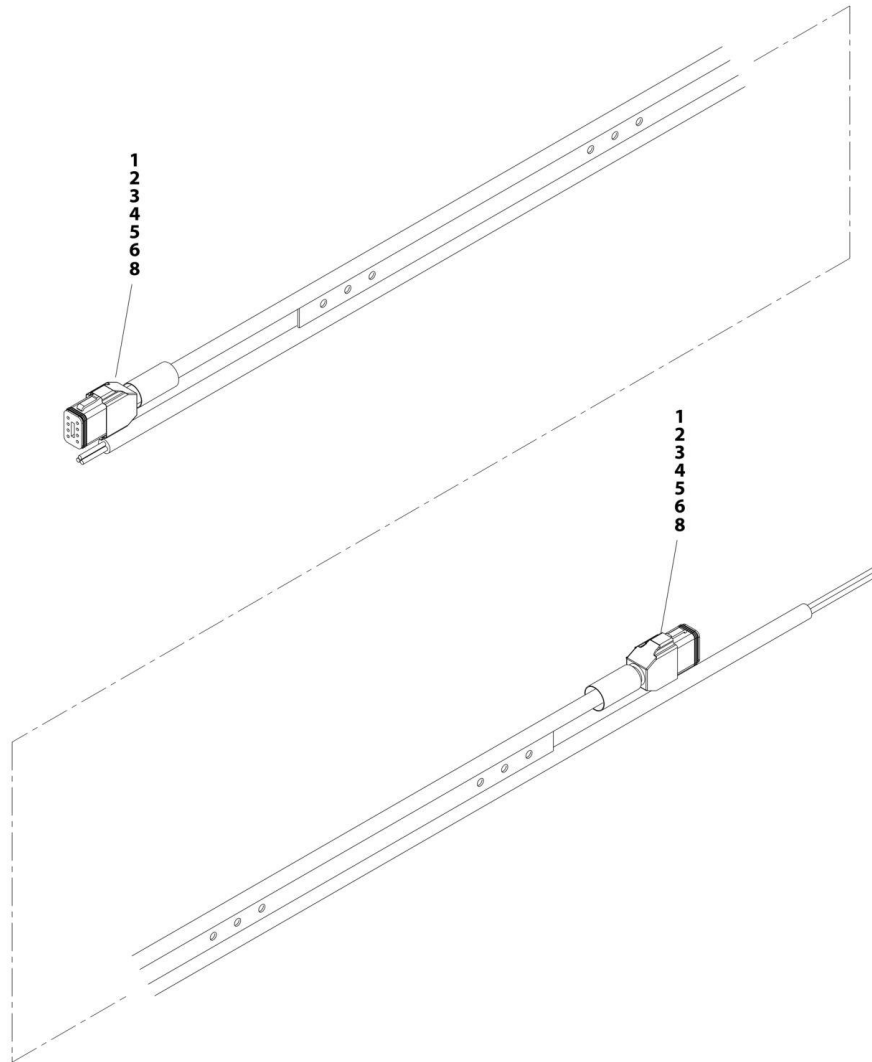
FIGURE 7-41. GROUND TO PLATFORM HARNESS - 2032ES

ITEM	PART NUMBER	QTY	DESCRIPTION	REV
	1001178687	Ref	GROUND TO PLATFORM HARNESS - 2032ES	D
		Ref	Usage Chart	
		Ref	ANSI, CSA, Japanese and UL Specs (All Machines)	
		Ref	ANSI Export and China Spec (SN 0200239382 through 0200248240, SN B200020296 through B200024236, SN M200000100 through M200000140)	
1	0840061	2	Boot	
2	2820026	AR	Insulator, Clear Tubing	
3	2820028	AR	Heat Shrink	
4	4460465	8	Socket, Female	
5	4460466	2	Plug, Terminal	
6	4460930	2	Plug, Male - 8 Position	
7	4460943	3	Pin, Male (Not Shown)	
8	4460944	6	Socket, Female (Gold)	

SECTION 7 - ELECTRICAL

FIGURE 7-42. GROUND TO PLATFORM HARNESS - 2032ES

USAGE CHART :
ANSI EXPORT AND CHINA SPEC
(SN 0200248241 TO PRESENT,
SN 1200025023 TO PRESENT,
SN B200024237 TO PRESENT,
SN M200000141 THROUGH M200039289)
AUSTRALIAN AND CE SPEC (ALL MACHINES)



ART_1001178690

SECTION 7 - ELECTRICAL

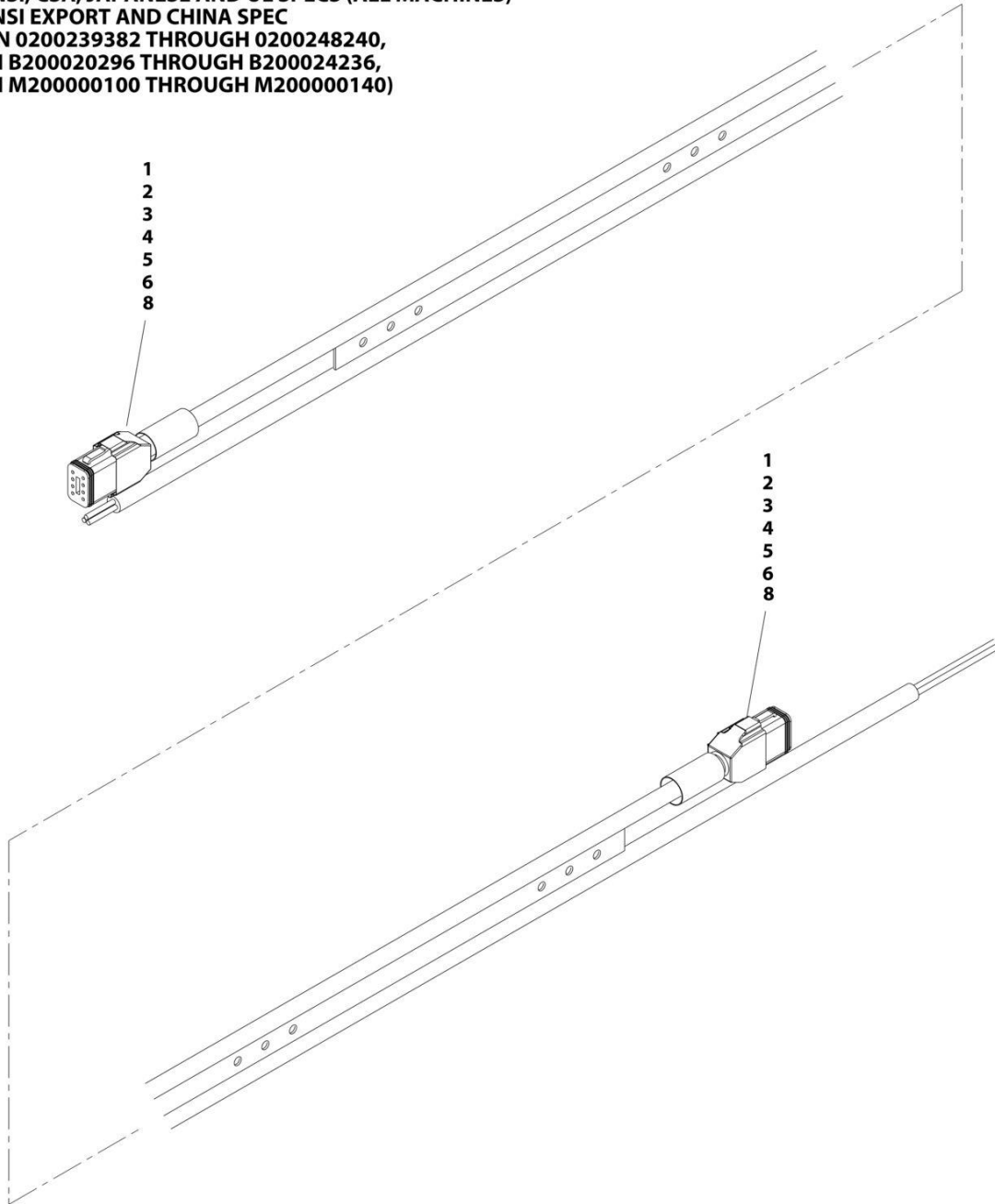
FIGURE 7-42. GROUND TO PLATFORM HARNESS - 2032ES

ITEM	PART NUMBER	QTY	DESCRIPTION	REV
	1001178690	Ref	GROUND TO PLATFORM HARNESS - 2032ES	D
		Ref	Usage Chart	
		Ref	ANSI Export and China Spec (SN 0200248241 to Present, SN 1200025021 to Present, SN B200024237 to Present, SN M200000141 through M200039289)	
		Ref	Australian and CE Spec (All Machines)	
1	0840061	2	Boot	
2	2820026	AR	Insulator, Clear Tubing	
3	2820028	AR	Heat Shrink	
4	4460465	8	Socket, Female	
5	4460466	2	Plug, Terminal	
6	4460930	2	Plug, Male - 8 Position	
7	4460943	3	Pin, Male (Not Shown)	
8	4460944	6	Socket, Female (Gold)	

SECTION 7 - ELECTRICAL

FIGURE 7-43. GROUND TO PLATFORM HARNESS - 2632ES

USAGE CHART :
ANSI, CSA, JAPANESE AND UL SPECS (ALL MACHINES)
ANSI EXPORT AND CHINA SPEC
(SN 0200239382 THROUGH 0200248240,
SN B200020296 THROUGH B200024236,
SN M200000100 THROUGH M200000140)



ART_1001178688

SECTION 7 - ELECTRICAL

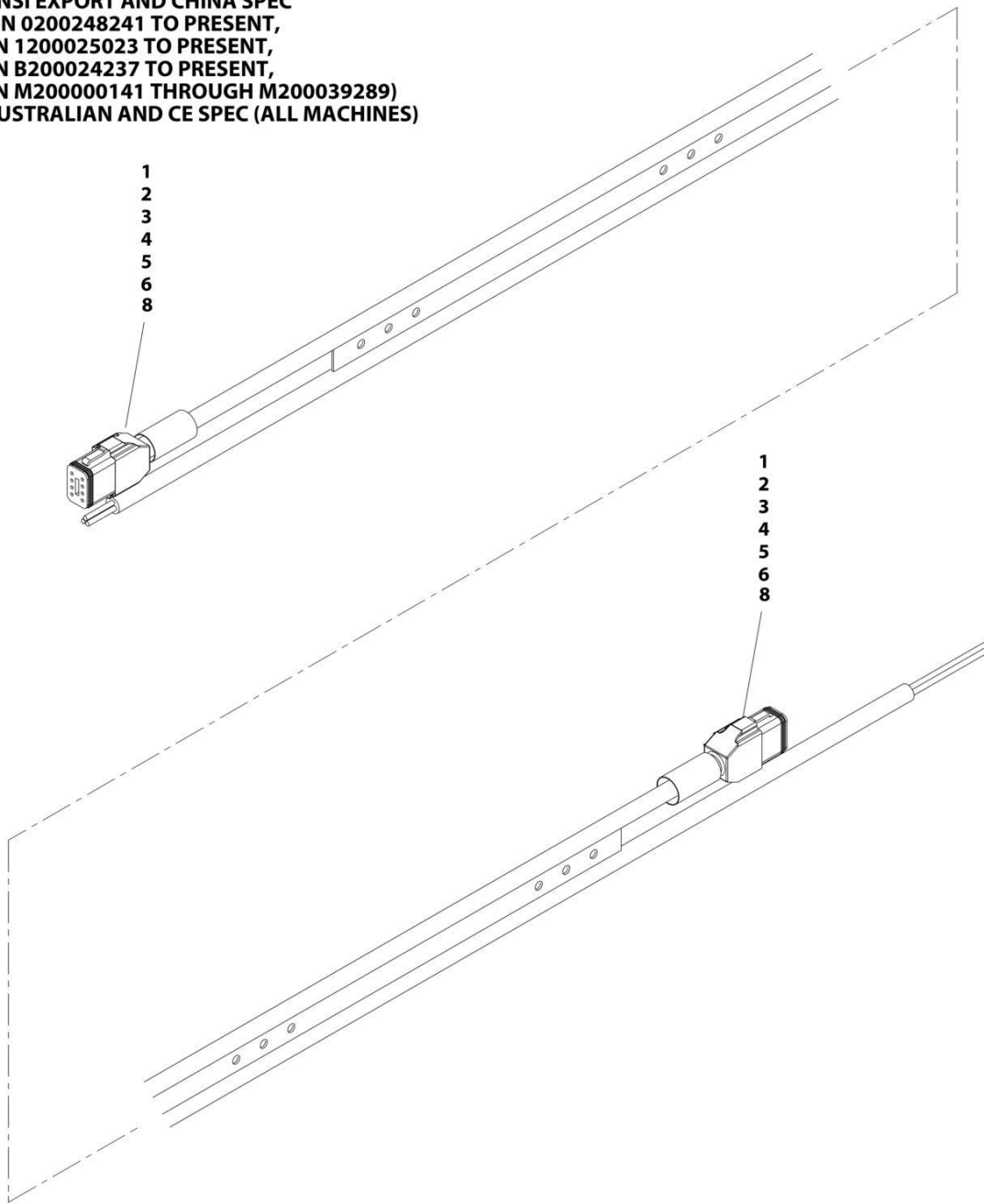
FIGURE 7-43. GROUND TO PLATFORM HARNESS - 2632ES

ITEM	PART NUMBER	QTY	DESCRIPTION	REV
	1001178688	Ref	GROUND TO PLATFORM HARNESS - 2632ES	D
		Ref	Usage Chart	
		Ref	ANSI, CSA, Japanese and UL Specs (All Machines)	
		Ref	ANSI Export and China Spec (SN 0200239382 through 0200248240, SN B200020296 through B200024236, SN M200000100 through M200000140)	
1	0840061	2	Boot	
2	2820026	AR	Insulator, Clear Tubing	
3	2820028	AR	Heat Shrink	
4	4460465	8	Socket, Female	
5	4460466	2	Plug, Terminal	
6	4460930	2	Plug, Male - 8 Position	
7	4460943	3	Pin, Male (Not Shown)	
8	4460944	6	Socket, Female (Gold)	

SECTION 7 - ELECTRICAL

FIGURE 7-44. GROUND TO PLATFORM HARNESS - 2632ES

USAGE CHART :
ANSI EXPORT AND CHINA SPEC
(SN 0200248241 TO PRESENT,
SN 1200025023 TO PRESENT,
SN B200024237 TO PRESENT,
SN M200000141 THROUGH M200039289)
AUSTRALIAN AND CE SPEC (ALL MACHINES)



ART_1001178689

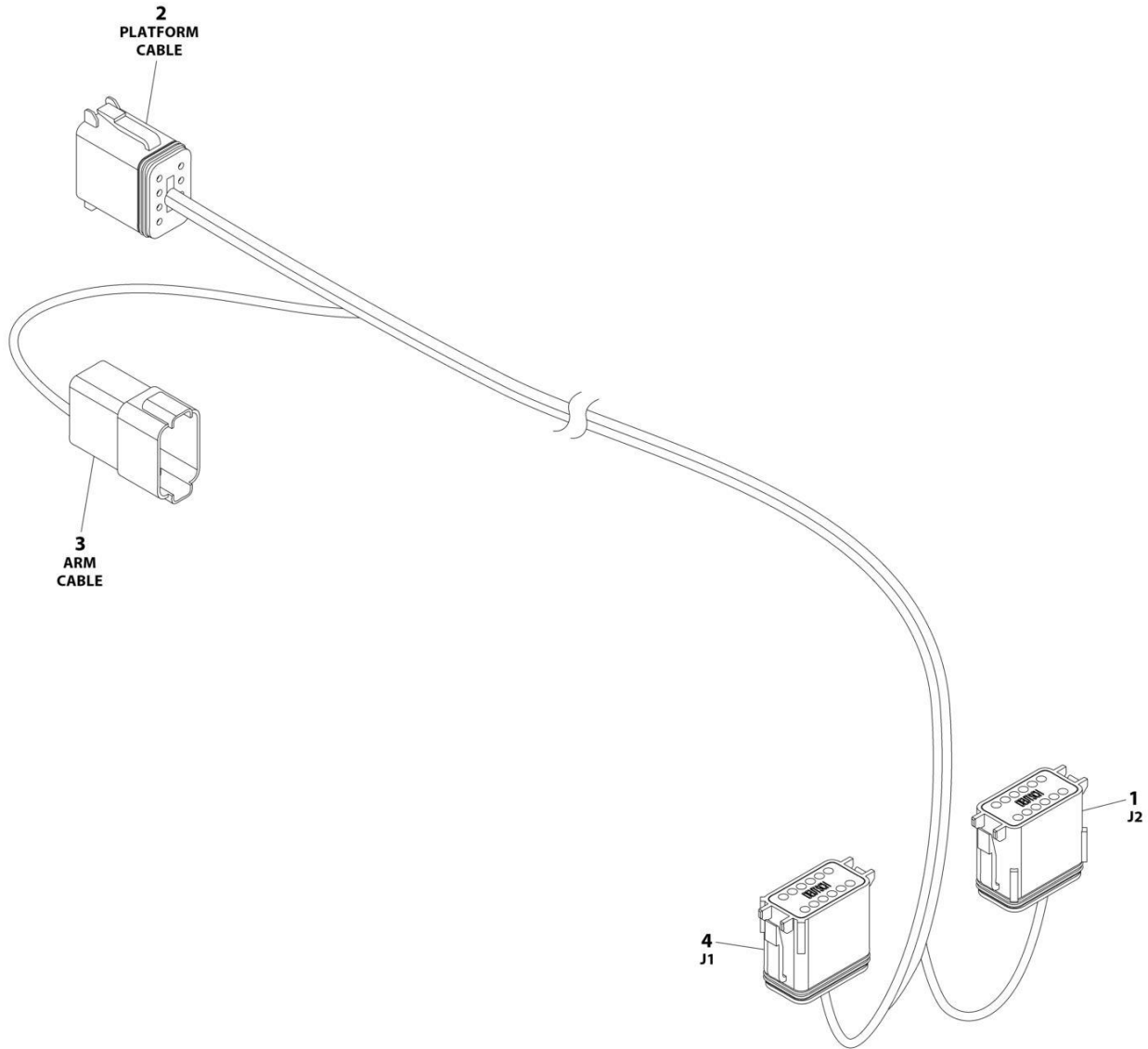
SECTION 7 - ELECTRICAL

FIGURE 7-44. GROUND TO PLATFORM HARNESS - 2632ES

ITEM	PART NUMBER	QTY	DESCRIPTION	REV
	1001178689	Ref	GROUND TO PLATFORM HARNESS - 2632ES	D
		Ref	Usage Chart	
		Ref	ANSI Export and China Spec (SN 0200248241 to Present, SN 1200025021 to Present, SN B200024237 to Present, SN M200000141 through M200039289)	
		Ref	Australian and CE Spec (All Machines)	
1	0840061	2	Boot	
2	2820026	AR	Insulator, Clear Tubing	
3	2820028	AR	Heat Shrink	
4	4460465	8	Socket, Female	
5	4460466	2	Plug, Terminal	
6	4460930	2	Plug, Male - 8 Position	
7	4460943	3	Pin, Male (Not Shown)	
8	4460944	6	Socket, Female (Gold)	

SECTION 7 - ELECTRICAL

FIGURE 7-45. LOAD SENSE HARNESS WITHOUT FUSE (SN 0200000100 to Present, SN B200000100 through B200061738, SN M200000100 to Present, SN 1200000100 to Present)



ART_4923228

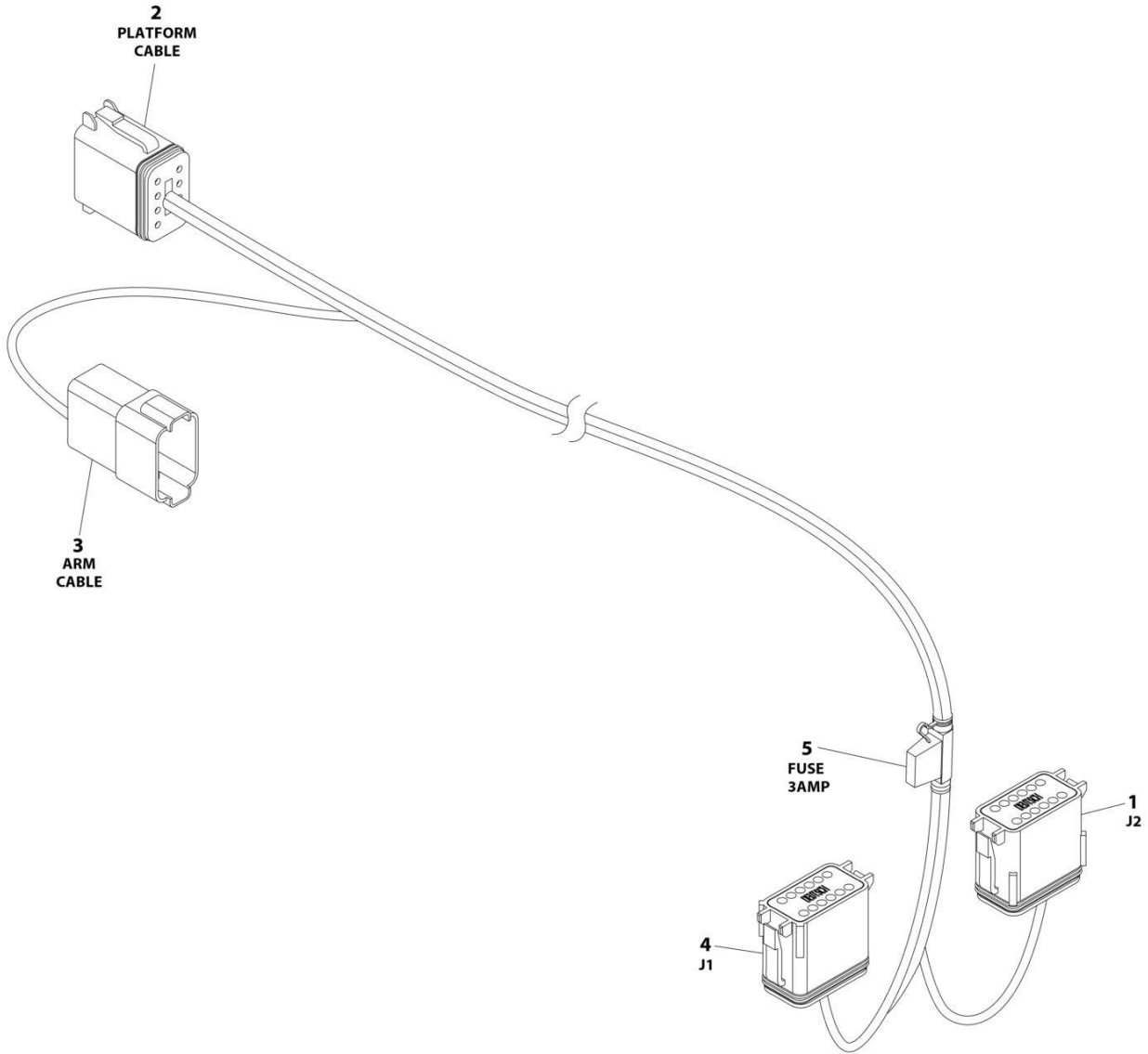
SECTION 7 - ELECTRICAL

FIGURE 7-45. LOAD SENSE HARNESS WITHOUT FUSE (SN 0200000100 to Present, SN B200000100 through B200061738, SN M200000100 to Present, SN 1200000100 to Present)

ITEM	PART NUMBER	QTY	DESCRIPTION	REV
	4923228	Ref	LOAD SENSE HARNESS	D
1	4460836	1	Connector - 12 Position	
1	4460466	6	Plug, Sealing	
1	4460944	6	Socket, Female (Gold)	
1	0840055	1	Boot	
2	4460930	1	Connector - 8 Position	
2	4460465	4	Socket, Female	
2	4460466	1	Plug, Sealing	
2	4460944	3	Socket, Female (Gold)	
2	0840061	1	Boot	
3	4460931	1	Connector - 8 Position	
3	4460464	4	Pin, Male	
3	4460466	1	Plug, Sealing	
3	4460943	3	Pin, Male	
3	0840058	1	Boot	
4	4460933	1	Connector - 12 Position	
4	4460465	4	Socket, Female	
4	4460466	8	Plug, Sealing	
4	0840055	1	Boot	

SECTION 7 - ELECTRICAL

FIGURE 7-46. LOAD SENSE HARNESS WITH FUSE (SN B200061739 to Present)



ART_1001263062

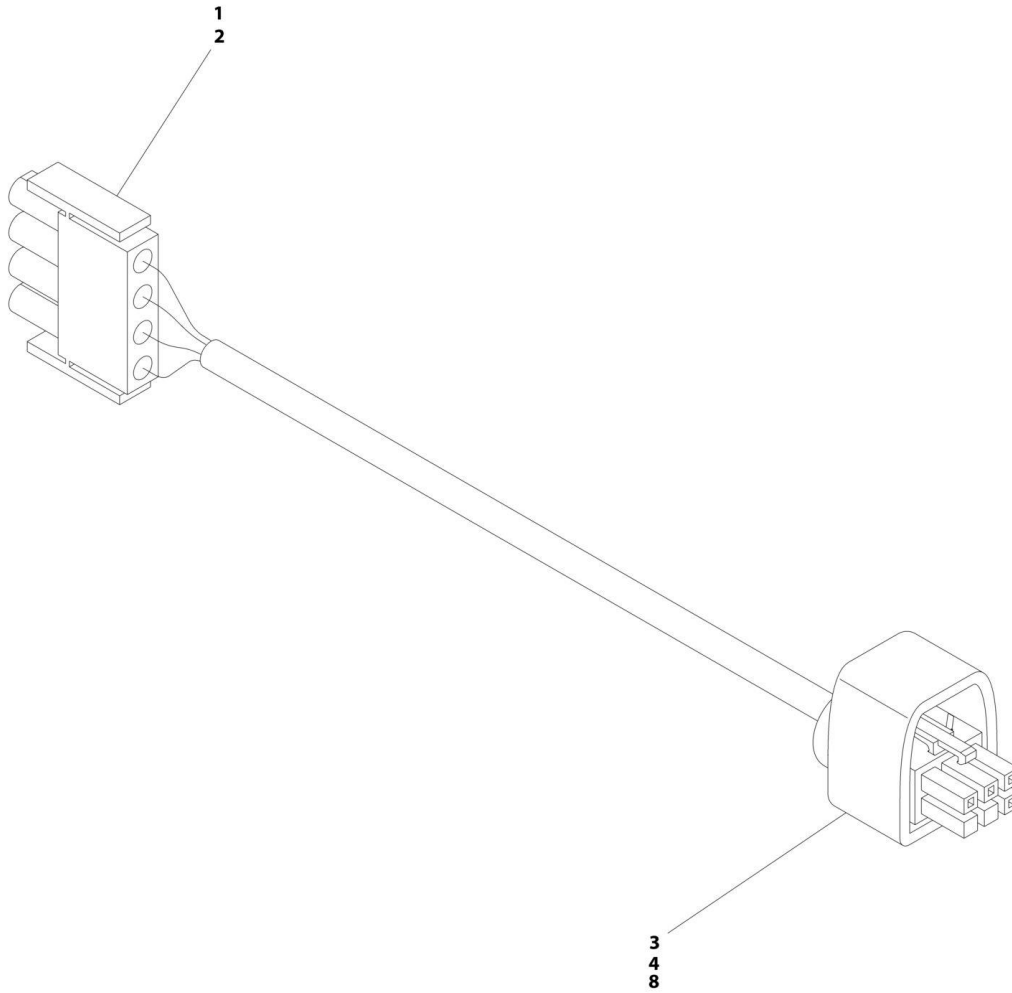
SECTION 7 - ELECTRICAL

FIGURE 7-46. LOAD SENSE HARNESS WITH FUSE (SN B200061739 to Present)

ITEM	PART NUMBER	QTY	DESCRIPTION	REV
	1001263062	Ref	LOAD SENSE HARNESS	A
1	4460836	1	Connector - 12 Position	
1	4460466	6	Plug, Sealing	
1	4460944	6	Socket, Female (Gold)	
1	0840055	1	Boot	
2	4460930	1	Connector - 8 Position	
2	4460465	4	Socket, Female	
2	4460466	1	Plug, Sealing	
2	4460944	3	Socket, Female (Gold)	
2	0840061	1	Boot	
3	4460931	1	Connector - 8 Position	
3	4460464	4	Pin, Male	
3	4460466	1	Plug, Sealing	
3	4460943	3	Pin, Male	
3	0840058	1	Boot	
4	4460933	1	Connector - 12 Position	
4	4460465	4	Socket, Female	
4	4460466	8	Plug, Sealing	
4	0840055	1	Boot	
5	2400060	1	Fuseholder with Cover	
5	1001196838	1	Fuse 3Amp	

SECTION 7 - ELECTRICAL

FIGURE 7-47. MDI (MULTIFUNCTION DIGITAL INDICATOR) HARNESS



ART_1001093556

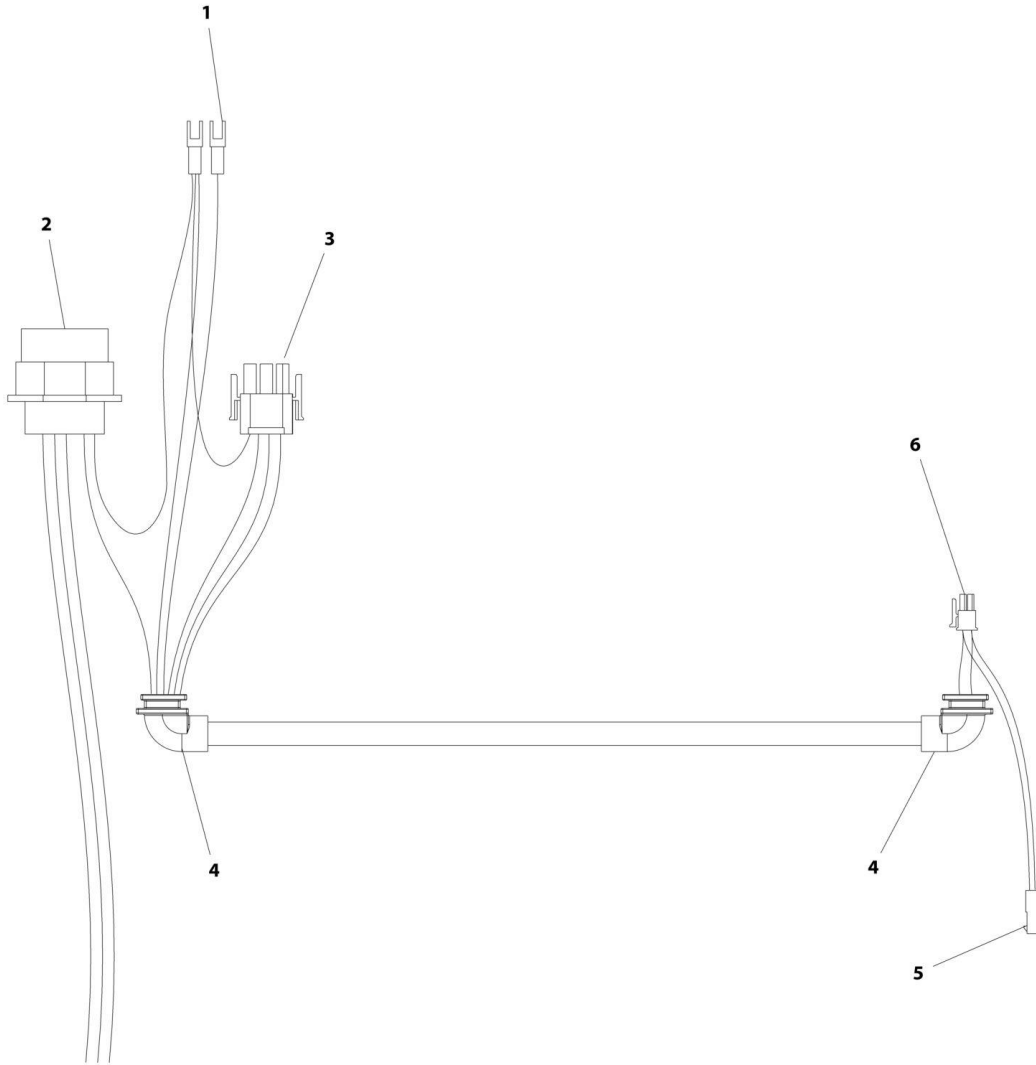
SECTION 7 - ELECTRICAL

FIGURE 7-47. MDI (MULTIFUNCTION DIGITAL INDICATOR) HARNESS

ITEM	PART NUMBER	QTY	DESCRIPTION	REV
	1001093556	Ref	MDI (MULTIFUNCTION DIGITAL INDICATOR) HARNESS	C
1	4460226	4	Socket, Female	
2	4460321	1	Plug, Male - 4 Position	
3	4460868	1	Plug, Male - 6 Position	
4	4460877	4	Terminal	
8	1001094105	1	Boot	

SECTION 7 - ELECTRICAL

FIGURE 7-48. PLATFORM BOX HARNESS



ART_4922870

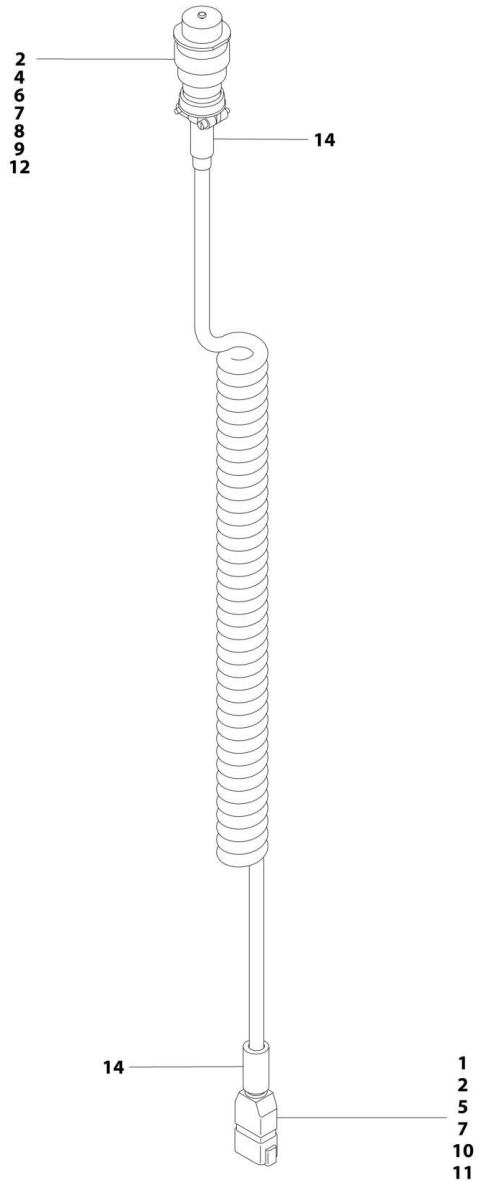
SECTION 7 - ELECTRICAL

FIGURE 7-48. PLATFORM BOX HARNESS

ITEM	PART NUMBER	QTY	DESCRIPTION	REV
1	4922870	Ref	PLATFORM BOX HARNESS	D
2	4461016	1	Connector - 14 Position	
2	4460464	6	Pin, Male	
2	4460466	8	Plug, Sealing	
2	4460496	1	Lockwasher	
2	4460497	1	Nut, Panel	
3	4460265	1	Plug, Male - 9 Position	
3	4460267	8	Pin, Male	
4	2540042	2	Grommet 90	
5	See Note	NSS	Receptacle, Female - 3 Position (Note: Not Available for Purchase)	
6	4461057	1	Plug, Male - 16 Position	

SECTION 7 - ELECTRICAL

FIGURE 7-49. PLATFORM CABLE ASSEMBLY (SN 0200000100 through 0200262518, SN 1200025021 to Present, SN B200000100 to Present, SN M200000100 through M200010204)



ART_1001096706

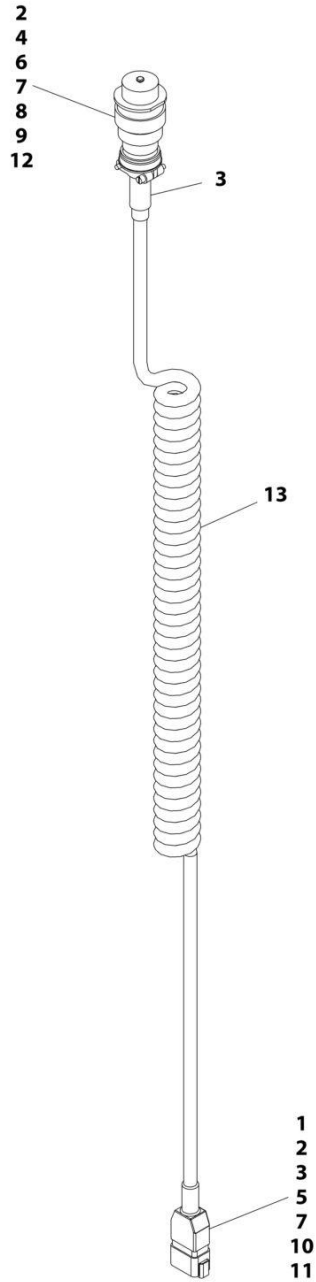
SECTION 7 - ELECTRICAL

FIGURE 7-49. PLATFORM CABLE ASSEMBLY (SN 0200000100 through 0200262518, SN 1200025021 to Present, SN B200000100 to Present, SN M200000100 through M200010204)

ITEM	PART NUMBER	QTY	DESCRIPTION	REV
	1001096706	Ref	PLATFORM CABLE ASSEMBLY	G
1	0840058	1	Boot, 8 Position Receptacle	
2	2820026	AR	Insulation, Clear Tubing	
4	3730119	1	Resistor	
5	4460464	4	Pin, Male	
6	4460465	4	Socket, Female	
7	4460466	8	Plug, Sealing	
8	4460493	1	Cap, Dust	
9	4460754	1	Connector -14 Position	
10	4460931	1	Receptacle, Female - 8 Position	
11	4460943	3	Pin, Male (Gold)	
12	4460944	3	Socket, Female	
14	2820028	AR	Heat Shrink	

SECTION 7 - ELECTRICAL

FIGURE 7-50. PLATFORM CABLE ASSEMBLY (SN 0200262519 to Present, SN M20010205 through M200039289)



ART_1001201243

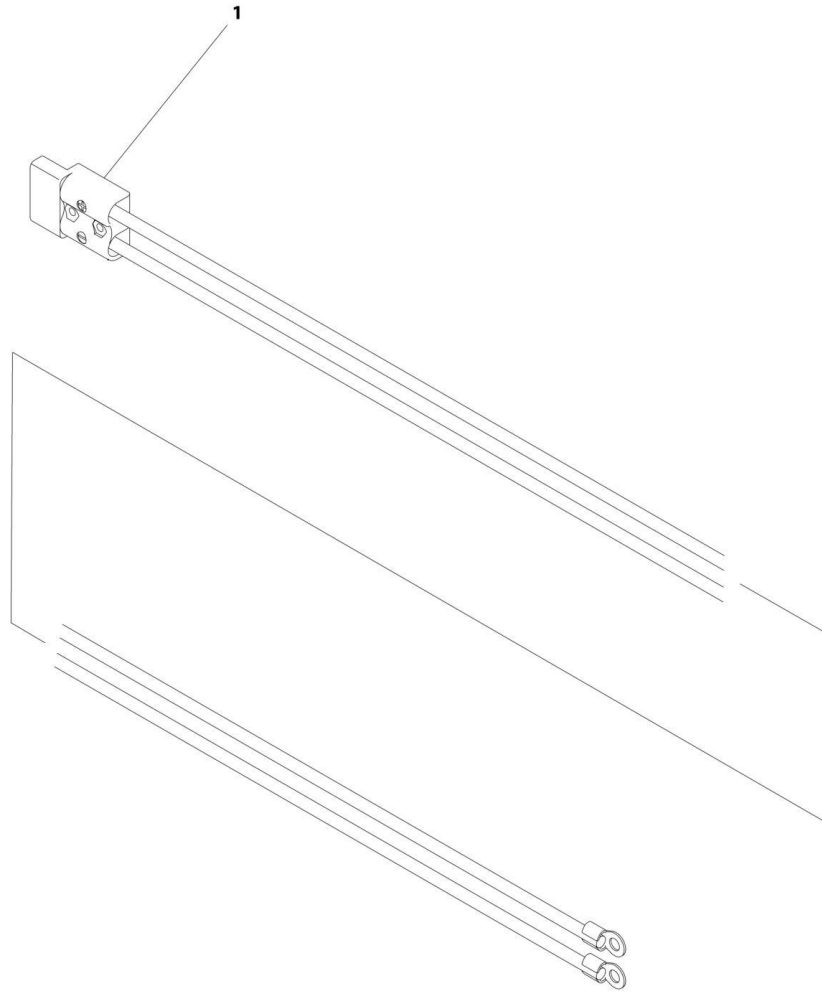
SECTION 7 - ELECTRICAL

FIGURE 7-50. PLATFORM CABLE ASSEMBLY (SN 0200262519 to Present, SN M20010205 through M200039289)

ITEM	PART NUMBER	QTY	DESCRIPTION	REV
	1001201243	Ref	PLATFORM CABLE ASSEMBLY	B
1	0840058	1	Boot, 8 Position Receptacle	
2	2820026	AR	Insulation, Clear Tubing	
3	2820028	AR	Heat Shrink	
4	3730119	1	Resistor	
5	4460464	4	Pin, Male	
6	4460465	4	Socket, Female	
7	4460466	8	Plug, Sealing	
8	4460493	1	Cap, Dust	
9	4460754	1	Connector -14 Position	
10	4460931	1	Receptacle, Female - 8 Position	
11	4460943	3	Pin, Male (Gold)	
12	4460944	3	Socket, Female	
13	1001201240	1	Cable, Platform Coil	

SECTION 7 - ELECTRICAL

FIGURE 7-51. PUMP POWER CABLE ASSEMBLY



ART_1001096794

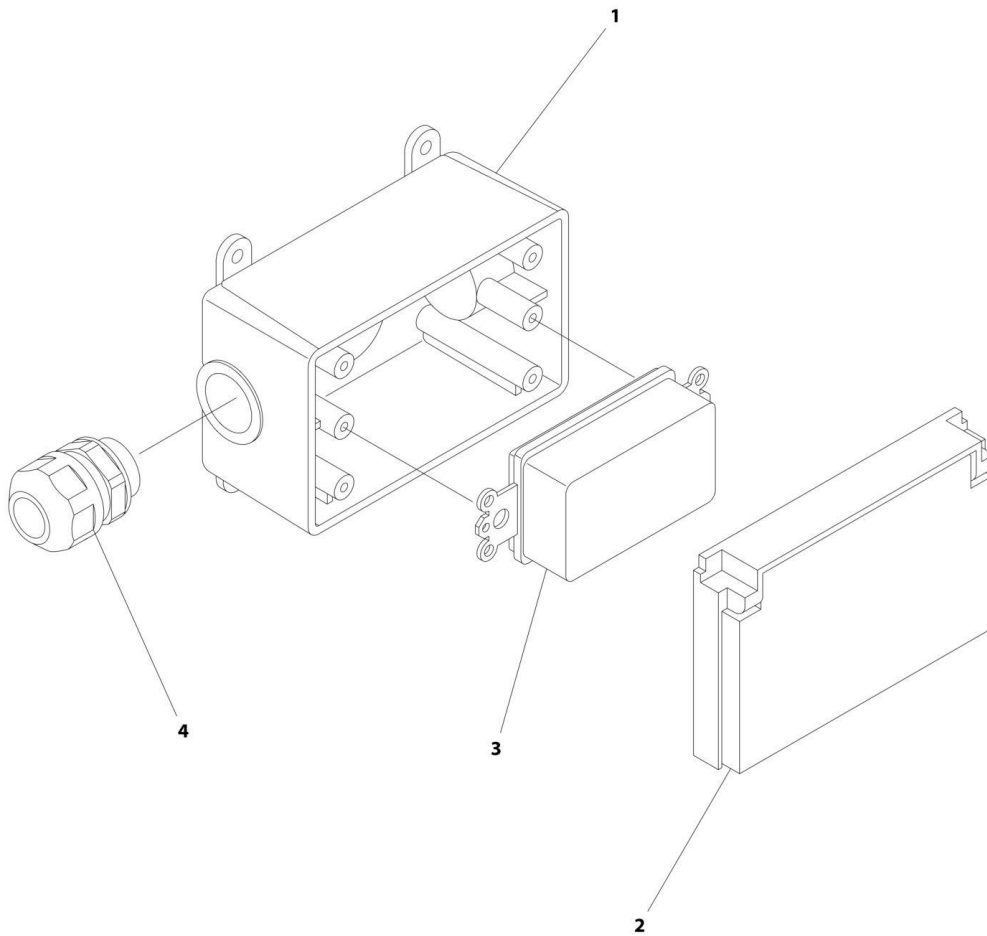
SECTION 7 - ELECTRICAL

FIGURE 7-51. PUMP POWER CABLE ASSEMBLY

ITEM	PART NUMBER	QTY	DESCRIPTION	REV
1	1001096794 4460778	Ref 1	PUMP POWER CABLE ASSEMBLY Connector, Anderson	C

SECTION 7 - ELECTRICAL

FIGURE 7-52. RECEPTACLE BOX KIT - 110V GFI



ART_2902431

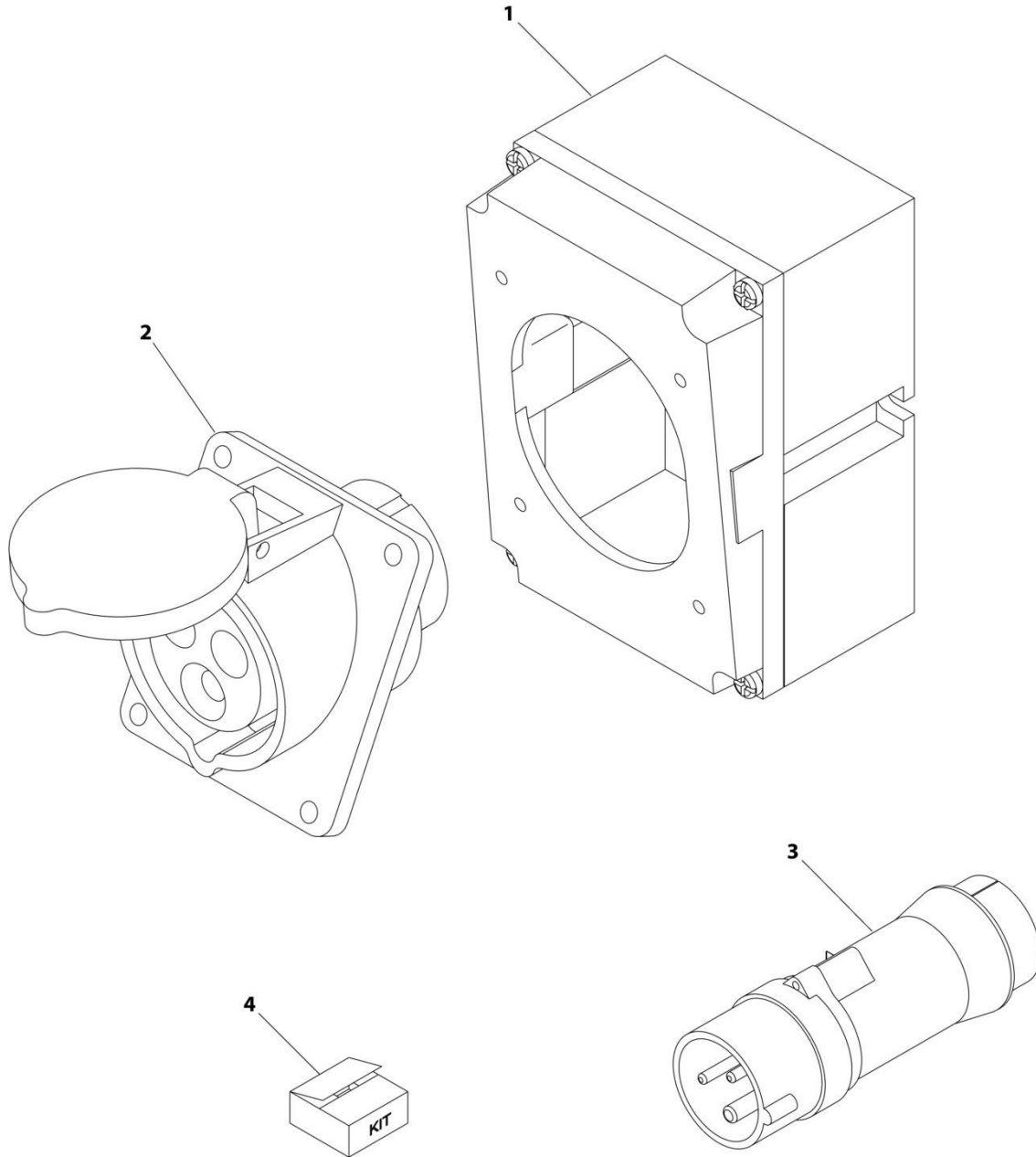
SECTION 7 - ELECTRICAL

FIGURE 7-52. RECEPTACLE BOX KIT - 110V GFI

ITEM	PART NUMBER	QTY	DESCRIPTION	REV
	2902431	Ref	RECEPTACLE BOX KIT - 110V GFI	C
1	0861731	1	Box, Receptacle	
2	1671207	1	Cover, Receptacle	
3	4460346	1	Receptacle	
4	4460662	1	Connector, Strain Relief	

SECTION 7 - ELECTRICAL

FIGURE 7-53. RECEPTACLE BOX KIT - 110V IEC YELLOW (CE SPEC)



ART. 0275216

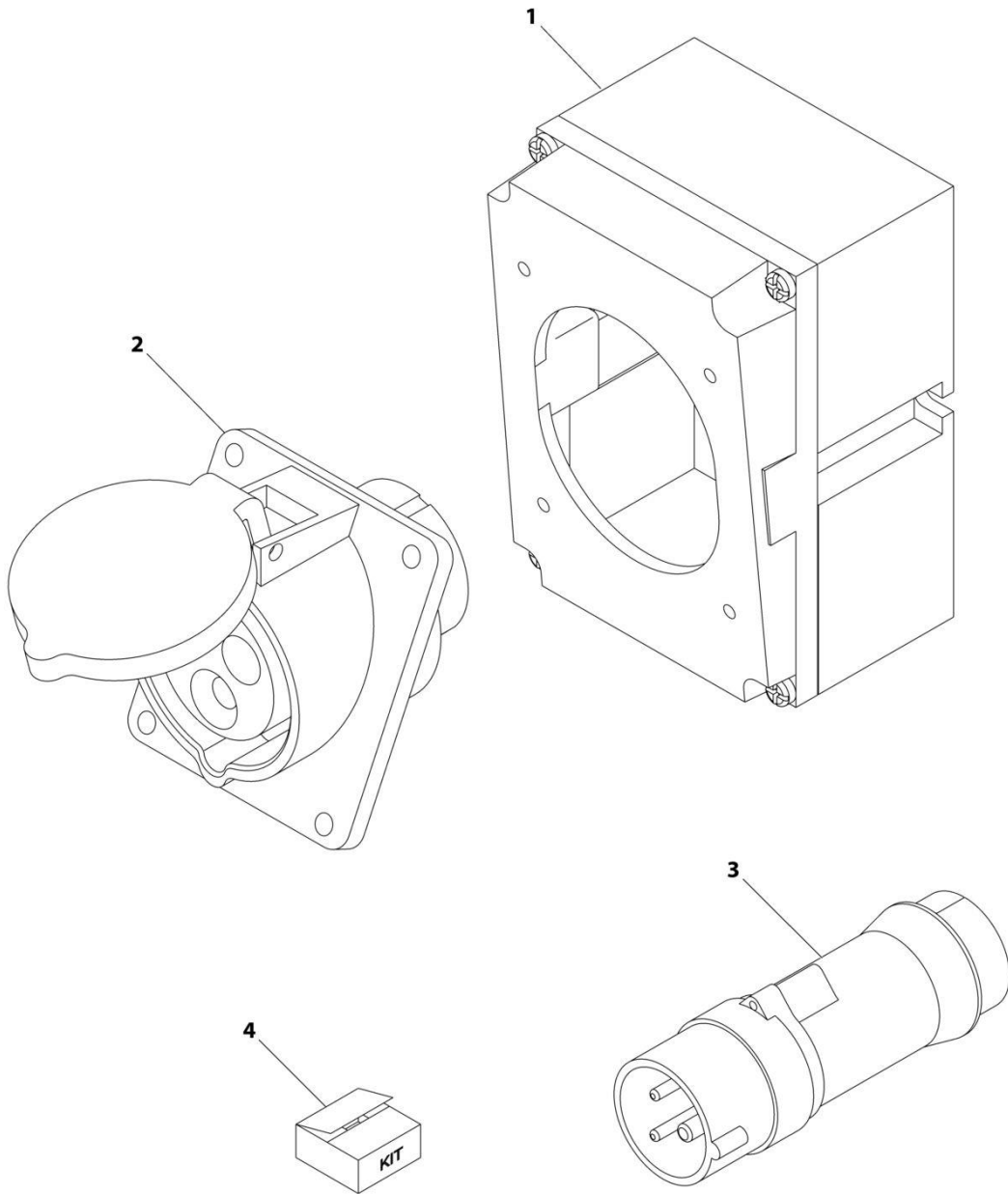
SECTION 7 - ELECTRICAL

FIGURE 7-53. RECEPTACLE BOX KIT - 110V IEC YELLOW (CE SPEC)

ITEM	PART NUMBER	QTY	DESCRIPTION	REV
	0275216	Ref	RECEPTACLE BOX KIT - 110V IEC YELLOW (CE SPEC)	1
1	0861781	1	Box, Switch	
2	4461198	1	Receptacle	
3	4461196	1	Plug, Male	
4	1001100341	1	Plug and Socket Kit (Includes Items 1-3 and Female Plug p/n 4461197)	

SECTION 7 - ELECTRICAL

FIGURE 7-54. RECEPTACLE BOX KIT - 220V IEC BLUE (CE SPEC)



ART.0275217

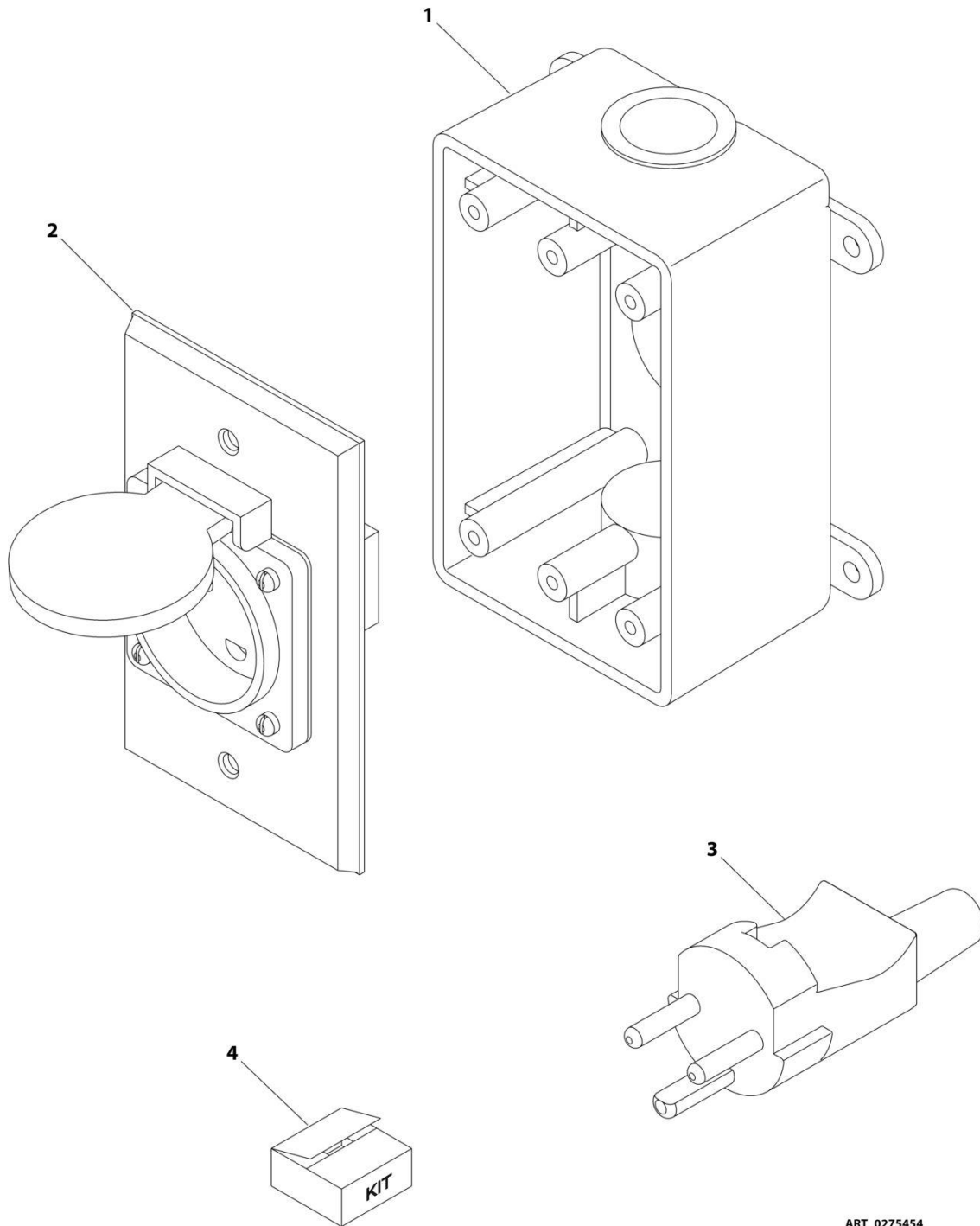
SECTION 7 - ELECTRICAL

FIGURE 7-54. RECEPTACLE BOX KIT - 220V IEC BLUE (CE SPEC)

ITEM	PART NUMBER	QTY	DESCRIPTION	REV
	0275217	Ref	RECEPTACLE BOX KIT - 220V IEC BLUE (CE SPEC)	1
1	0861781	1	Box, Switch	
2	4461201	1	Receptacle	
3	4461199	1	Plug, Male	
4	1001100342	1	Plug and Socket Kit (Includes Items 1-3 and Female Plug p/n 4461200)	

SECTION 7 - ELECTRICAL

FIGURE 7-55. RECEPTACLE BOX KIT - 220V AFSINT 107 (CE SPEC)



ART_0275454

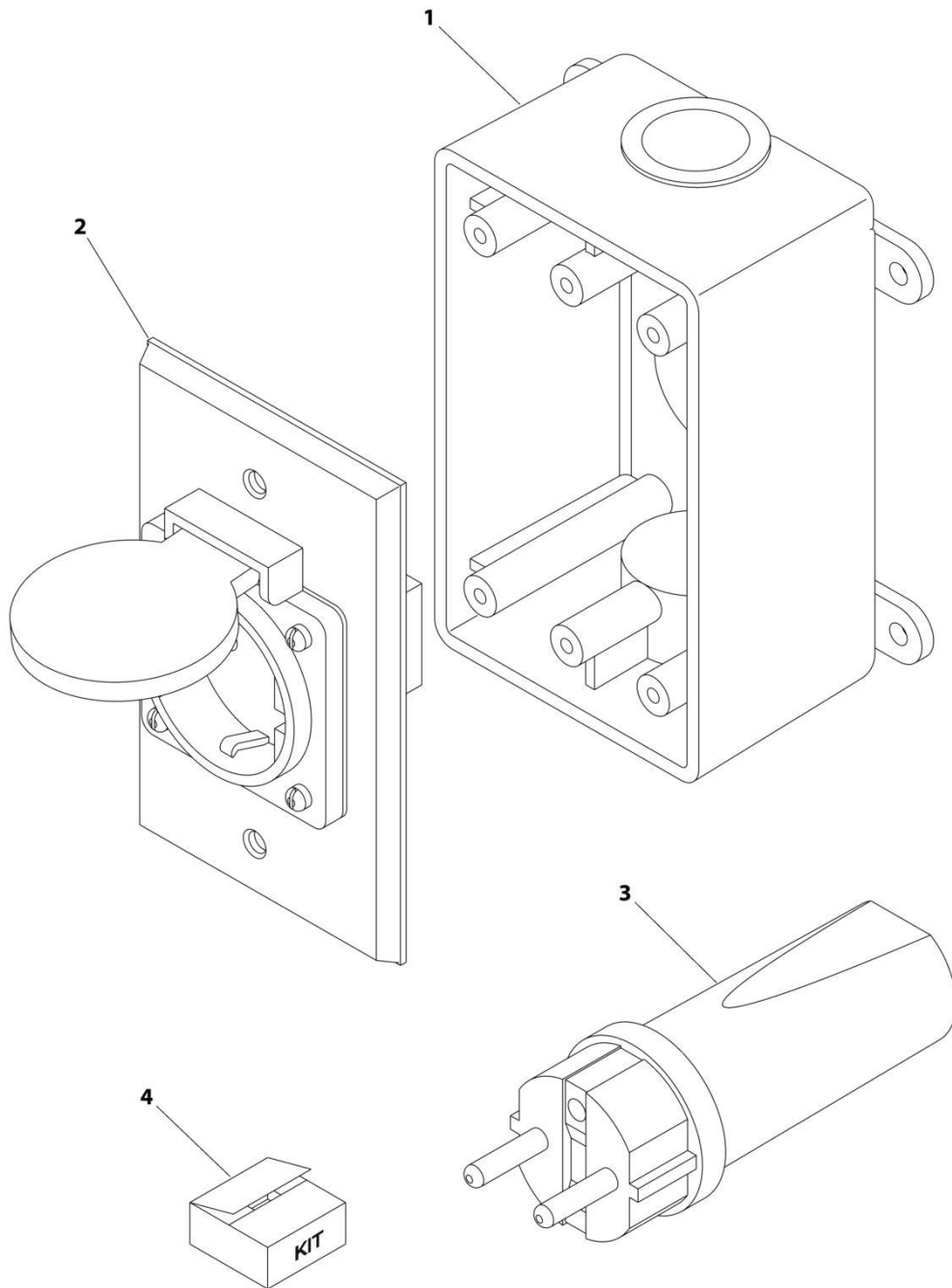
SECTION 7 - ELECTRICAL

FIGURE 7-55. RECEPTACLE BOX KIT - 220V AFSINT 107 (CE SPEC)

ITEM	PART NUMBER	QTY	DESCRIPTION	REV
	0275454	Ref	RECEPTACLE BOX KIT - 220V AFSINT 107 (CE SPEC)	1
1	0861731	1	Box, Switch	
2	4461246	1	Receptacle	
3	4461249	1	Plug, Male	
4	1001100346	1	Plug and Socket Kit (Includes Items 1-3 and Female Plug p/n 4461250)	

SECTION 7 - ELECTRICAL

FIGURE 7-56. RECEPTACLE BOX KIT - 220V CEE7 SIDE GROUND (CE SPEC)



ART_0275453

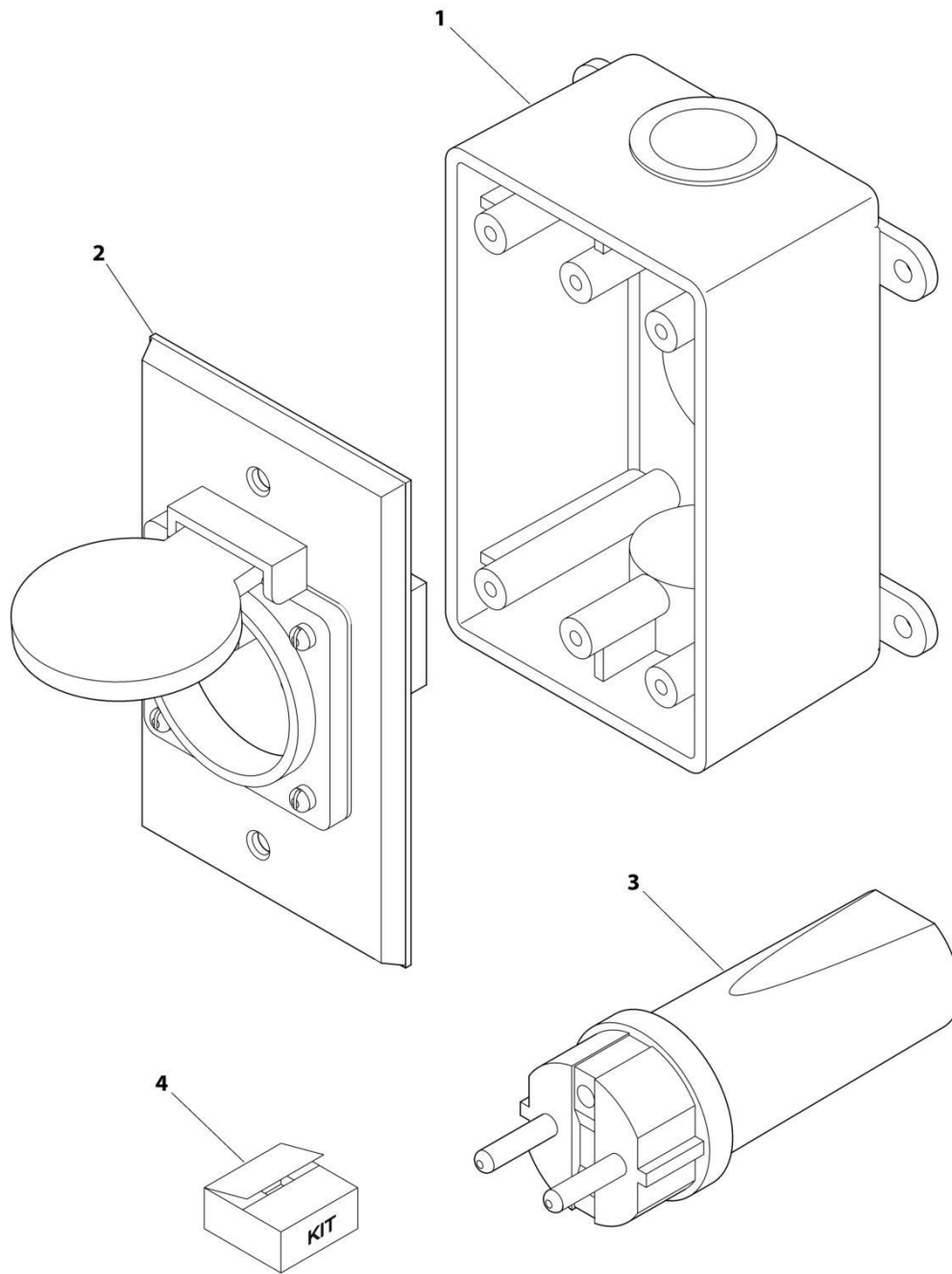
SECTION 7 - ELECTRICAL

FIGURE 7-56. RECEPTACLE BOX KIT - 220V CEE7 SIDE GROUND (CE SPEC)

ITEM	PART NUMBER	QTY	DESCRIPTION	REV
	0275453	Ref	RECEPTACLE BOX KIT - 220V CEE7 SIDE GROUND (CE SPEC)	1
1	0861731	1	Box, Switch	
2	4461245	1	Receptacle	
3	4461205	1	Plug, Male	
4	1001100347	1	Plug and Socket Kit (Includes Items 1-3 and Female Plug p/n 4461206)	

SECTION 7 - ELECTRICAL

FIGURE 7-57. RECEPTACLE BOX KIT - 220V CEE7 POST GROUND (CE SPEC)



ART_0275452

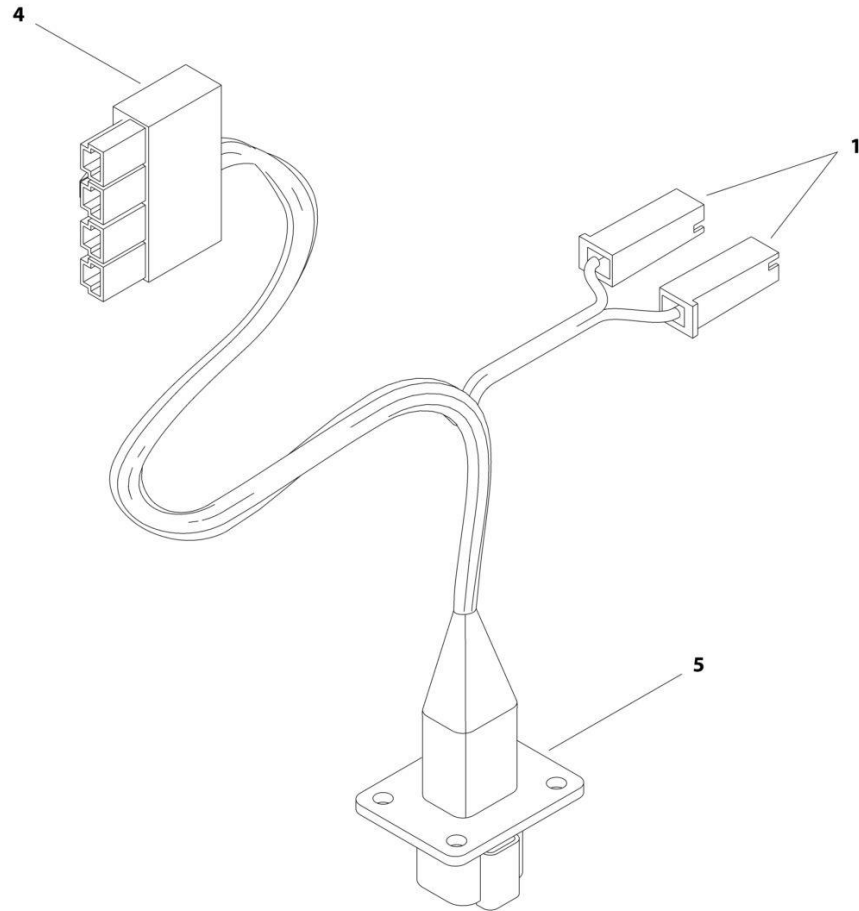
SECTION 7 - ELECTRICAL

FIGURE 7-57. RECEPTACLE BOX KIT - 220V CEE7 POST GROUND (CE SPEC)

ITEM	PART NUMBER	QTY	DESCRIPTION	REV
	0275452	Ref	RECEPTACLE BOX KIT - 220V CEE7 POST GROUND (CE SPEC)	C
1	0861731	1	Box, Switch	
2	4461244	1	Receptacle	
3	4461202	NLA	Plug, Male (Use p/n 4461205) (SN 0200239382 through 0200256617, SN B200020297 through B200037114, SN M200000100 through M200002249)	
3	4461205	1	Plug, Male (SN 0200256618 to Present, SN B200037115 to Present, SN M200002250 through M200039289)	
4	1001100345	1	Plug and Socket Kit (Includes Items 1-3 and Female Plug p/n 4461206)	

SECTION 7 - ELECTRICAL

FIGURE 7-58. WORKSTATION POWER HARNESS



ART_4923121

SECTION 7 - ELECTRICAL

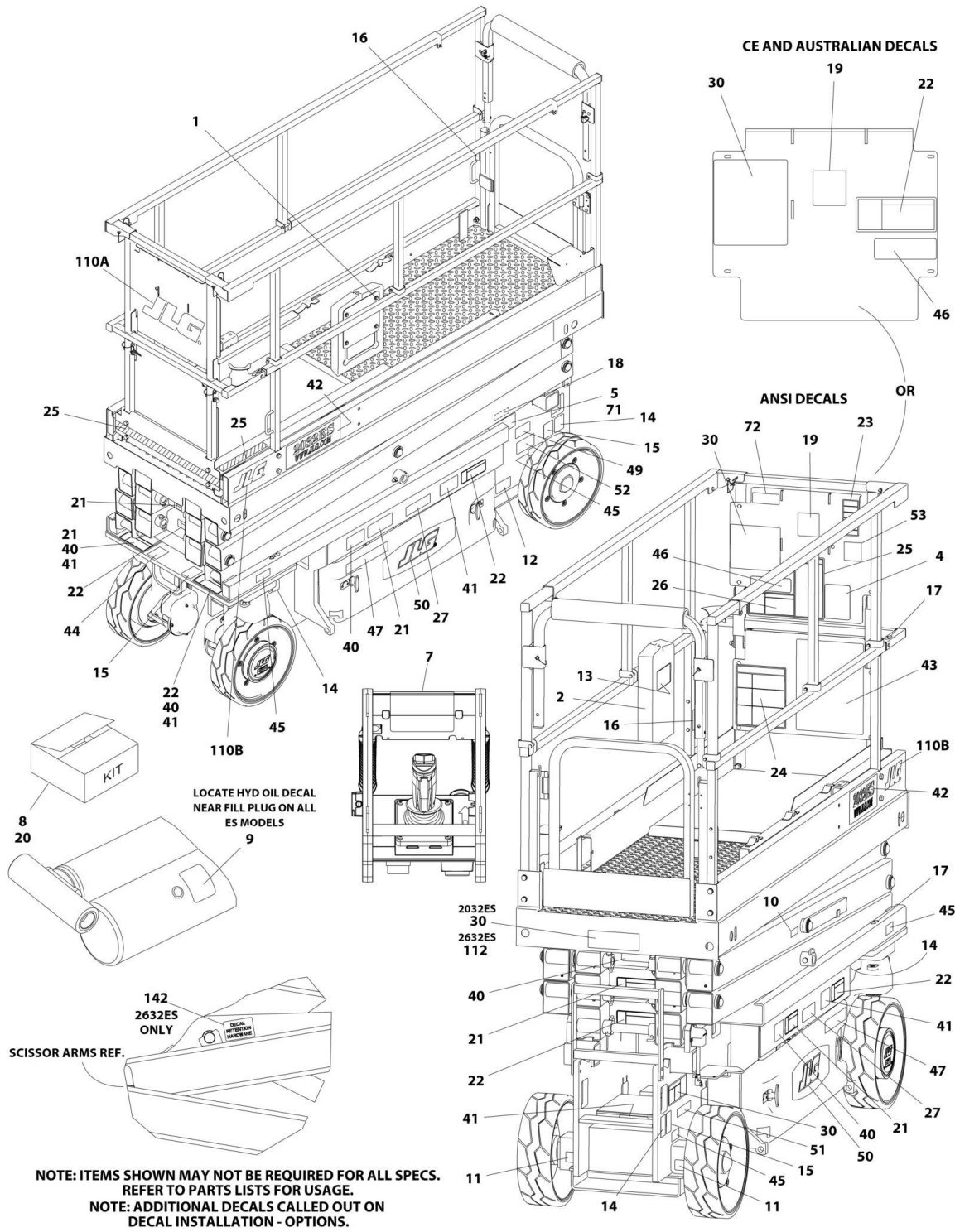
FIGURE 7-58. WORKSTATION POWER HARNESS

ITEM	PART NUMBER	QTY	DESCRIPTION	REV
	4923121	Ref	WORKSTATION POWER HARNESS	B
1	4460260	2	Housing, Terminal	
1	4460297	2	Terminal	
4	4460878	1	Connector - 4 Position	
4	4460887	4	Terminal	
5	4460885	1	Connector - 4 Position	
5	4460464	4	Pin, Male	

SECTION 8 - DECALS

SECTION 8 - DECALS

FIGURE 8-1. DECAL INSTALLATION - ANSI SPEC (ENGLISH)



ART_1001181268

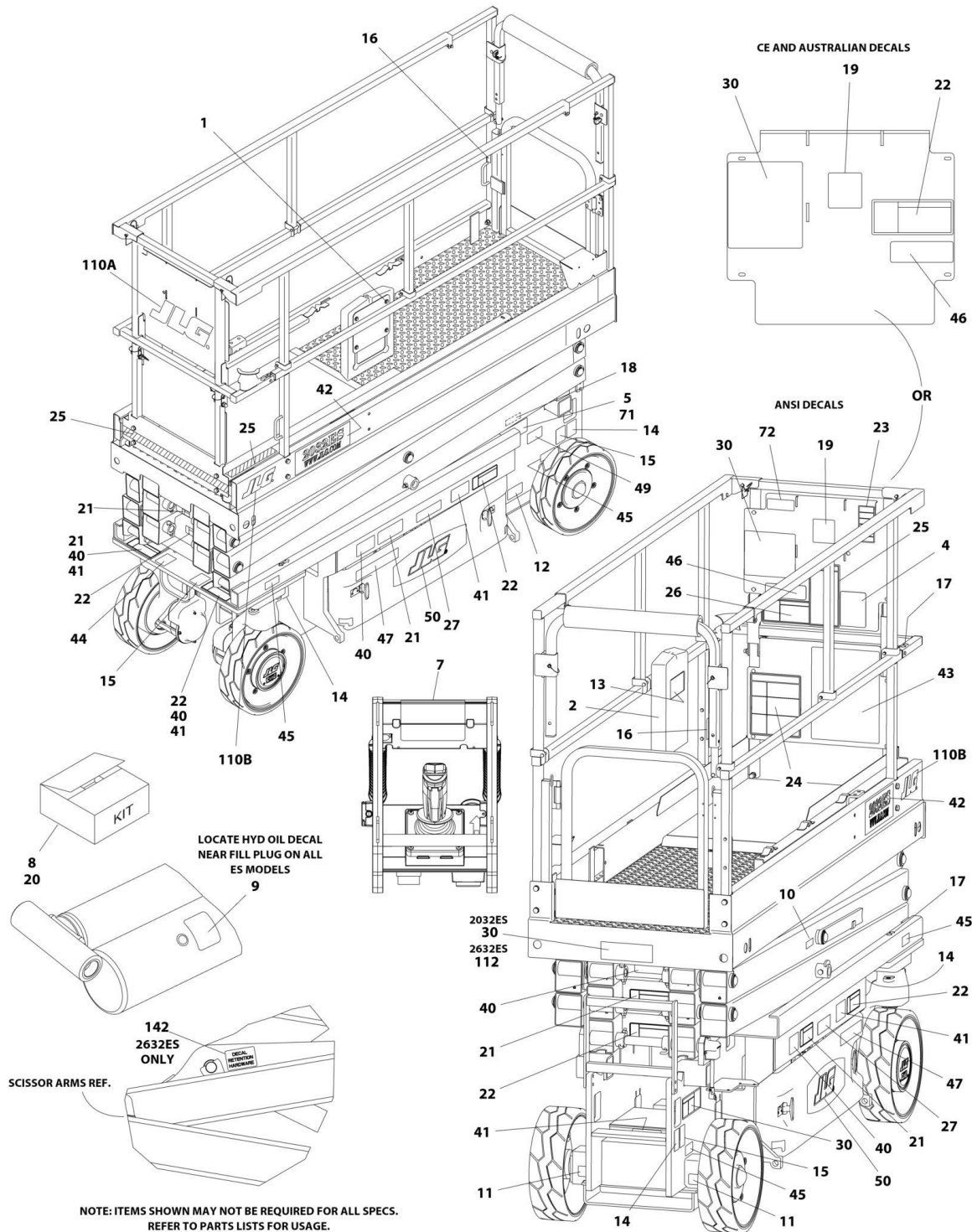
SECTION 8 - DECALS

FIGURE 8-1. DECAL INSTALLATION - ANSI SPEC (ENGLISH)

ITEM	PART NUMBER	QTY	DESCRIPTION	REV
	1001181268	Ref	DECAL INSTALLATION - ANSI SPEC (ENGLISH)	G
		Ref	Note: See DECAL INSTALLATION - OPTIONS for additional decals.	
1	2080040	4	Fastener	
2	0860520	1	Box, Manual Storage	
4	1001131270	1	Decal - Patent	
5	2080057	4	Fastener	
7	See Note	1	Decal - Bar Code (Note: Not Available for Purchase)	
8	2902267	1	Decal Kit - Master (Standard Decals) (Includes Items 9-19 & 44)	B
9	1704412	1	Decal - Hydraulic Oil	
10	1705693	1	Decal - Safety Prop	
11	1704016	2	Decal - Forklift	
12	1702155	1	Decal - Battery Disconnect	
13	1701509	1	Decal - Manual Reference	
14	1703811	4	Decal - Lifting Lugs	
15	1703814	3	Decal - Tie Down	
16	1704277	3	Decal - Lanyard Attach	
17	1703819	4	Decal - Directional Arrow	
18	1703822	1	Decal - Manual Descent Instructions	
19	1705692	1	Decal - Control Box Location	
20	2902522	1	Decal Kit - ANSI Spec (Includes Items 21-27)	B
21	1705694	4	Decal - Crushing	
22	1705695	4	Decal - Danger Electrocution	
23	1705686	1	Decal - Legend	
24	1705680	1	Decal - Danger/Warning	
25	1705679	1	Decal - Inspection	
26	1705681	1	Decal - Electrocution	
27	1703813	2	Decal - Warning Battery Ventilation	
44	1701499	1	Decal - No Lift (Part of Item 8)	
46	1001094359	1	Decal - Troubleshooting	
47	1001146794	2	Decal - See Manual	
49	1001216313	1	Decal - 24 Volts (SN 0200257823 to Present, SN B200037115 to Present, SN M200002935 through M200039289)	
50	1705754	2	Decal - JLG (SN 0200262223 to Present, SN B200038735 to Present, SN M200007881 through M200039289)	
51	1001223055	1	Decal - Yearly Inspection (SN B200045810 to Present, SN M200015222 through M200039289)	
52	1001228370	1	Decal - CSA Ices (SN B200045810 to Present, SN M200015222 through M200039289)	
53	1001231801	1	Decal - Prop 65 (SN B200051661 to Present, SN M200025381 through M200039289)	

SECTION 8 - DECALS

FIGURE 8-2. DECAL INSTALLATION - AUSTRALIAN SPEC (ENGLISH)



ART_1001181270

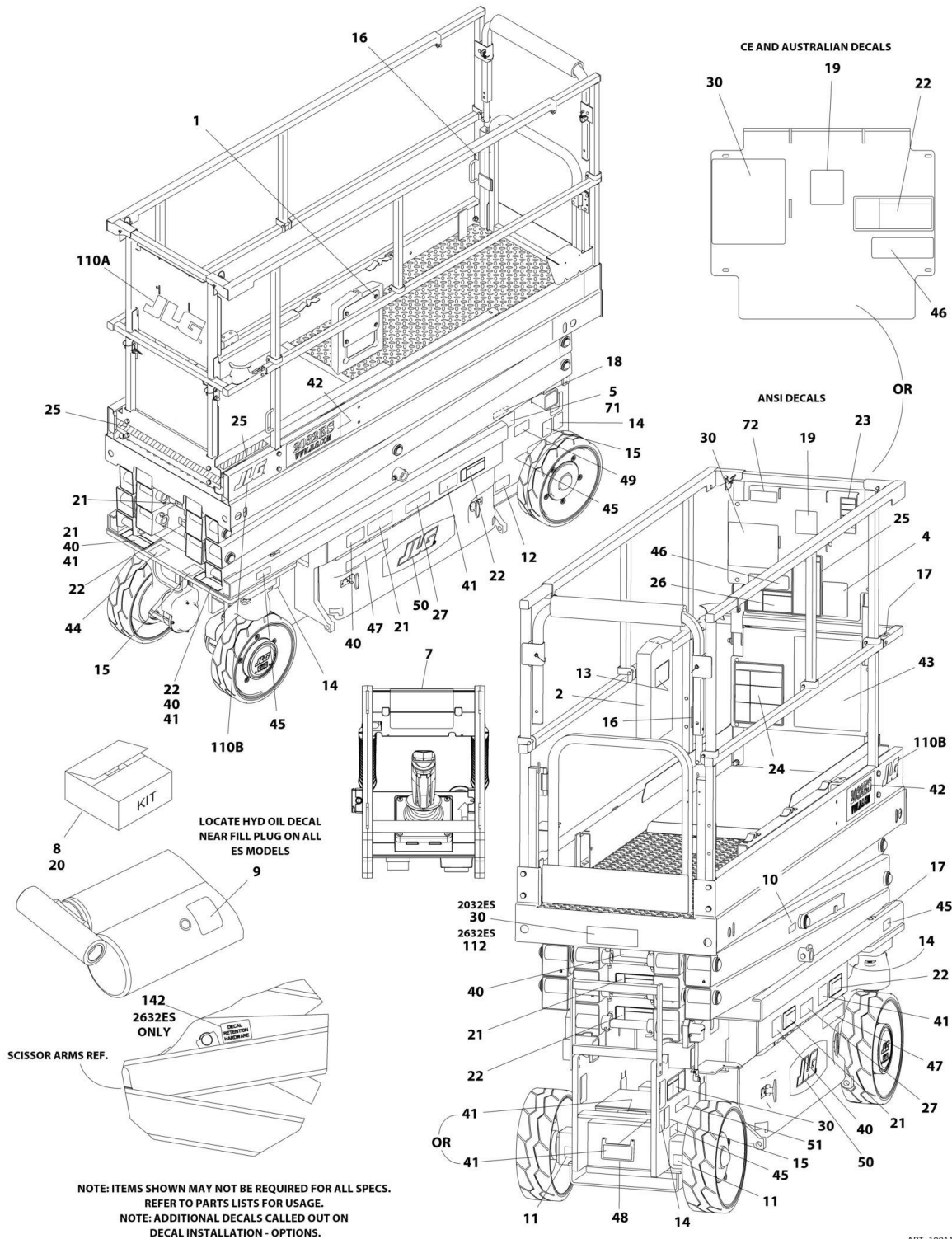
SECTION 8 - DECALS

FIGURE 8-2. DECAL INSTALLATION - AUSTRALIAN SPEC (ENGLISH)

ITEM	PART NUMBER	QTY	DESCRIPTION	REV
	1001181270	Ref	DECAL INSTALLATION - AUSTRALIAN SPEC (ENGLISH)	H
		Ref	Note: See DECAL INSTALLATION - OPTIONS for additional decals	
1	2080040	4	Fastener	
2	0860520	1	Box, Manual Storage	
5	2080057	4	Fastener	
7	See Note	1	Decal - Bar Code (Note: Not Available for Purchase)	
8	2902267	1	Decal Kit - Master (Standard Decals) (Includes Items 9-19 & 44)	B
9	1704412	1	Decal - Hydraulic Oil	
10	1705693	1	Decal - Safety Prop	
11	1704016	2	Decal - Forklift	
12	1702155	1	Decal - Battery Disconnect	
13	1701509	1	Decal - Manual Reference	
14	1703811	4	Decal - Lifting Lugs	
15	1703814	3	Decal - Tie Down	
16	1704277	3	Decal - Lanyard Attach	
17	1703819	4	Decal - Directional Arrow	
18	1703822	1	Decal - Manual Descent Instructions	
19	1705692	1	Decal - Control Box Location	
20	2902523	1	Decal Kit - Australian Spec (Includes Items 21, 22 & 27)	2
21	1705673	4	Decal - Crushing	
22	1705671	5	Decal - Electrocution	
27	1705670	2	Decal - Warning Battery Ventilation/Fire Hazard	
44	1701499	1	Decal - No Lift (Part of Item 8)	
46	1001094359	1	Decal - Troubleshooting	
47	1001146794	2	Decal - See Manual	
49	1001216313	1	Decal - 24 Volts (SN 0200257823 to Present, SN B200037115 to Present, SN M200002935 through M200039289)	
50	1705754	2	Decal - JLG (SN 0200262223 to Present, SN B200038735 to Present, SN M200007981 through M200039289)	

SECTION 8 - DECALS

FIGURE 8-3. DECAL INSTALLATION - BRAZIL SPEC (PORTUGUESE/SPANISH)



ART_1001181273

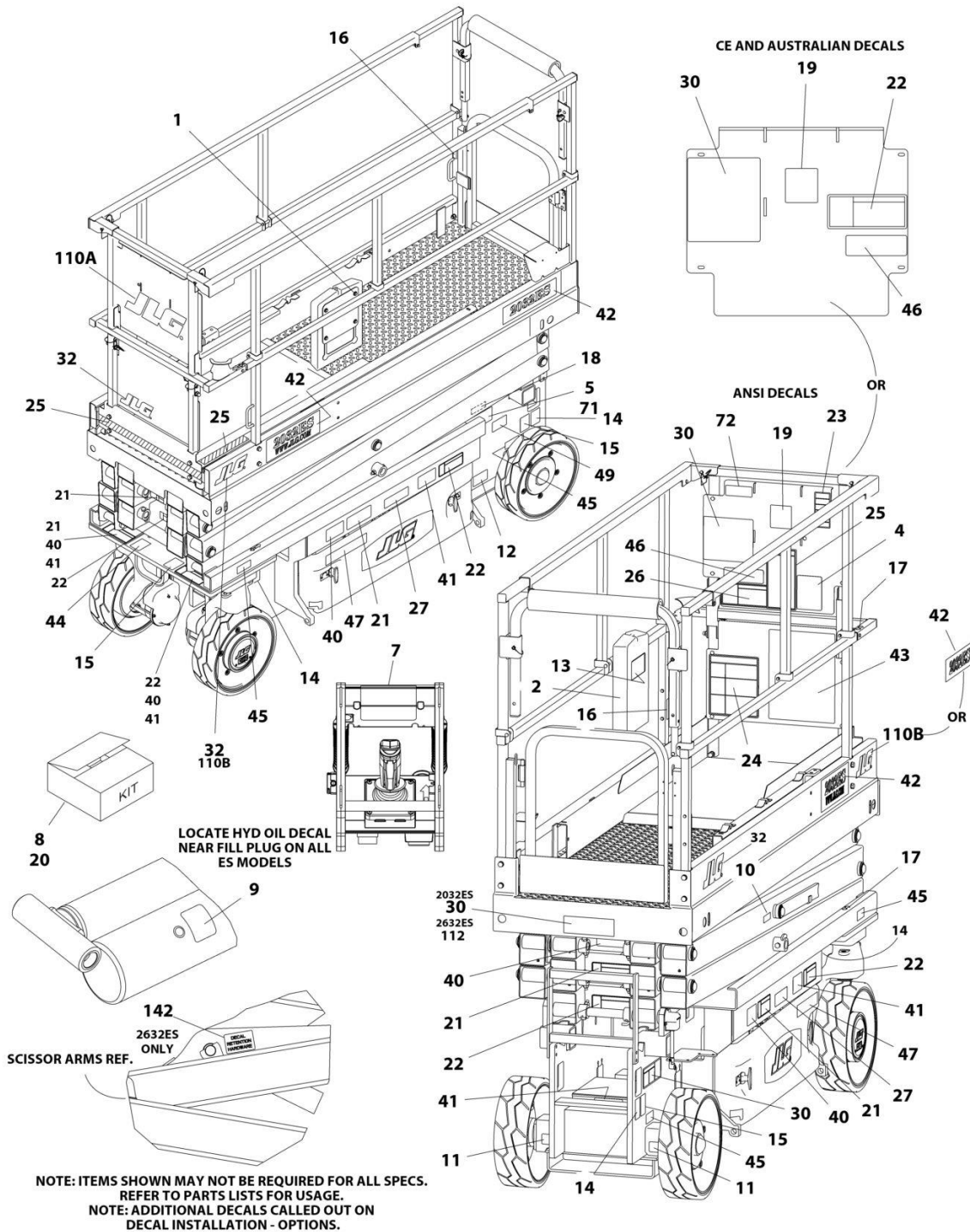
SECTION 8 - DECALS

FIGURE 8-3. DECAL INSTALLATION - BRAZIL SPEC (PORTUGUESE/SPANISH)

ITEM	PART NUMBER	QTY	DESCRIPTION	REV
	1001181273	Ref	DECAL INSTALLATION - BRAZIL SPEC (PORTUGUESE/SPANISH)	H
		Ref	Note: See DECAL INSTALLATION - OPTIONS for additional decals.	
1	2080040	4	Fastener	
2	0860520	1	Box, Manual Storage	
5	2080057	4	Fastener	
7	See Note	1	Decal - Bar Code (Note: Not Available for Purchase)	
8	2902267	1	Decal Kit - Master (Standard Decals) (Includes Items 9-19 & 44)	B
9	1704412	1	Decal - Hydraulic Oil	
10	1705693	1	Decal - Safety Prop	
11	1704016	2	Decal - Forklift	
12	1702155	1	Decal - Battery Disconnect	
13	1701509	1	Decal - Manual Reference	
14	1703811	4	Decal - Lifting Lugs	
15	1703814	3	Decal - Tie Down	
16	1704277	3	Decal - Lanyard Attach	
17	1703819	4	Decal - Directional Arrow	
18	1703822	1	Decal - Manual Descent Instructions	
19	1705692	1	Decal - Control Box Location	
20	2902526	1	Decal Kit - Brazil Spec (Includes Items 21-27, 40 & 41)	B
21	1705722	5	Decal - Warning Crushing Hazard	
22	1703834	4	Decal - Warning/Danger	
23	1705726	1	Decal - Legend	
24	1705894	1	Decal - Danger/Warning	
25	1705727	1	Decal - Inspection	
26	1705721	1	Decal - Electrocution	
27	1704341	2	Decal - Warning Battery Ventilation	
40	1705725	4	Decal - Crushing Hazard	
41	1705724	4	Decal - Electrocution	
43	1705719	1	Decal - Danger/Warning	
44	1701499	1	Decal - No Lift (Part of Item 8)	
46	1001094359	1	Decal - Troubleshooting	
47	1001146794	2	Decal - See Manual	
48	1001210849	1	Bracket, Decal (SN 0200253961 to Present, SN B200031076 to Present, SN M200001405 through M200039289)	
49	1001216313	1	Decal - 24 Volts (SN 0200257823 to Present, SN B200037115 to Present, SN M200002935 through M200039289)	
50	1705754	2	Decal - JLG (SN 0200262223 to Present, SN B200038735 to Present, SN M200007981 through M200039289)	
51	1001224052	1	Decal - Yearly Inspection (SN B200045810 to Present, SN M200015222 through M200039289)	

SECTION 8 - DECALS

FIGURE 8-4. DECAL INSTALLATION - CE SPEC (ENGLISH)



ART_1001181269

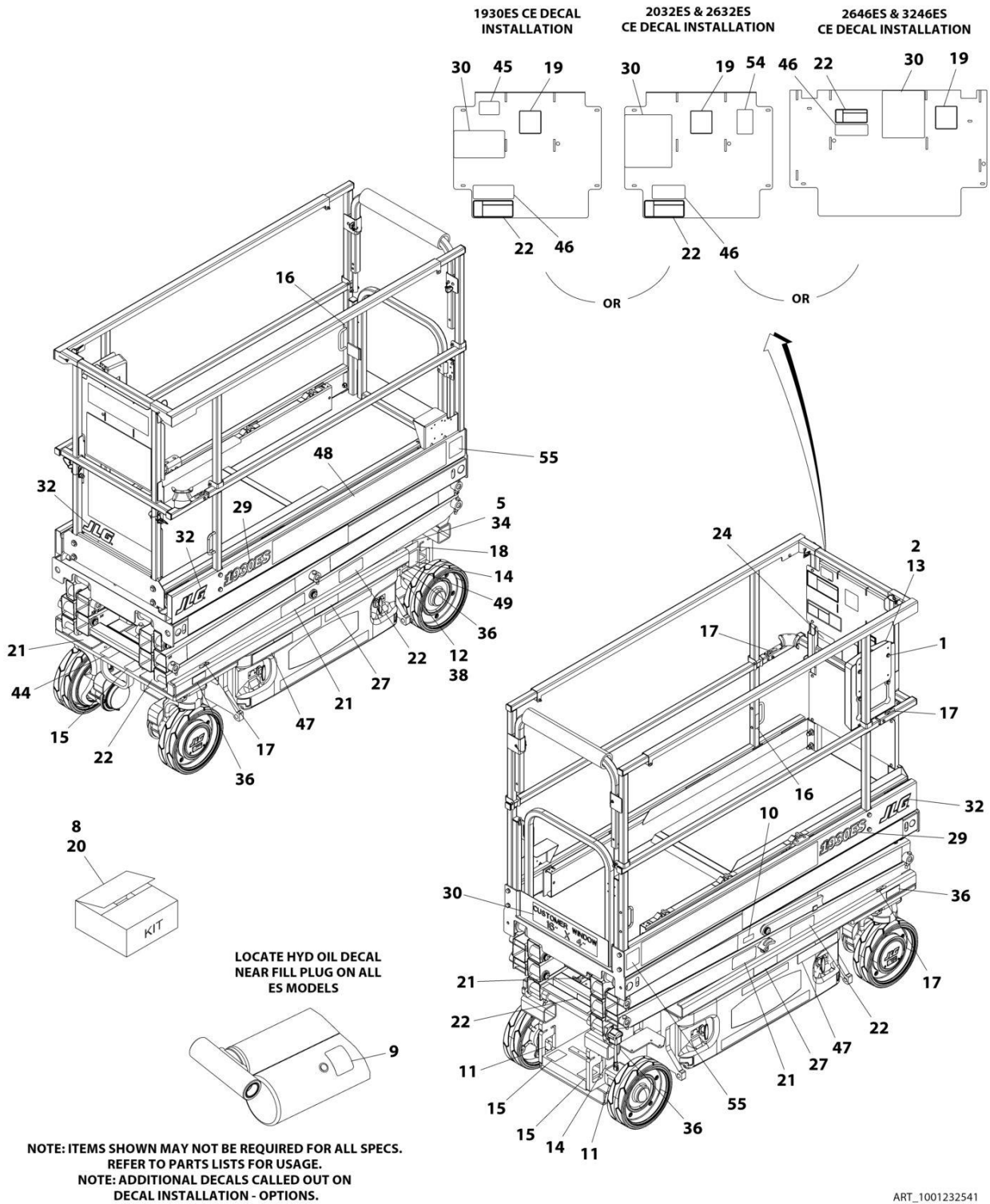
SECTION 8 - DECALS

FIGURE 8-4. DECAL INSTALLATION - CE SPEC (ENGLISH)

ITEM	PART NUMBER	QTY	DESCRIPTION	REV
	1001181267	Ref	DECAL INSTALLATION - REFERENCE CHART (SN 0200000100 through 0200262222, SN B200000100 through B200038734, SN M200000100 through M200007980)	H
	1001217327	Ref	DECAL INSTALLATION - REFERENCE CHART (SN 0200262223 to Present, SN 1200025021 to Present, SN B200038735 to Present, SN M200007981 through M200039289)	B
	1001181269	Ref	DECAL INSTALLATION - CE SPEC (ENGLISH)	G
		Ref	Note: See DECAL INSTALLATION - OPTIONS for additional decals.	
1	2080040	4	Fastener	
2	0860520	1	Box, Manual Storage	
5	2080057	4	Fastener	
7	See Note	1	Decal - Bar Code (Note: Not Available for Purchase)	
8	2902267	1	Decal Kit - Master (Standard Decals) (Includes Items 9-19 & 44)	B
9	1704412	1	Decal - Hydraulic Oil	
10	1705693	1	Decal - Safety Prop	
11	1704016	2	Decal - Forklift	
12	1702155	1	Decal - Battery Disconnect	
13	1701509	1	Decal - Manual Reference	
14	1703811	4	Decal - Lifting Lugs	
15	1703814	3	Decal - Tie Down	
16	1704277	3	Decal - Lanyard Attach	
17	1703819	4	Decal - Directional Arrow	
18	1703822	1	Decal - Manual Descent Instructions	
19	1705692	1	Decal - Control Box Location	
20	2902523	1	Decal Kit - CE Spec (Includes Items 21, 22 & 27)	2
21	1705673	4	Decal - Crushing	
22	1705671	5	Decal - Electrocution	
27	1705670	2	Decal - Warning Battery Ventilation/Fire Hazard	
32	1705781	3	Decal - JLG (SN 0200262223 to Present, SN 1200025021 to Present, SN B200038735 to Present, SN M200007981 through M200039289)	
44	1701499	1	Decal - No Lift (Part of Item 8)	
46	1001094359	1	Decal - Troubleshooting	
47	1001146795	2	Decal - See Manual	
49	1001216313	1	Decal - 24 Volts (SN 0200257823 to Present, SN 1200025021 to Present, SN B200037115 to Present, SN M200002935 through M200039289)	

SECTION 8 - DECALS

FIGURE 8-5. DECAL INSTALLATION - CHINA SPEC (GB)



ART_1001232541

SECTION 8 - DECALS

FIGURE 8-5. DECAL INSTALLATION - CHINA SPEC (GB)

ITEM	PART NUMBER	QTY	DESCRIPTION	REV
	1001232541	Ref	DECAL INSTALLATION - CHINA SPEC (GB)	B
		Ref	Note: See DECAL INSTALLATION - OPTIONS for additional decals.	
1	2080040	4	Fastener	
2	0860520	1	Box, Manual Storage	
5	2080057	4	Fastener	
8	2902267	1	Decal Kit - Master (Standard Decals) (Includes Items 9-19 & 44)	B
9	1704412	1	Decal - Hydraulic Oil	
10	1705693	1	Decal - Safety Prop	
11	1704016	2	Decal - Forklift	
12	1702155	1	Decal - Battery Disconnect	
13	1701509	1	Decal - Manual Reference	
14	1703811	4	Decal - Lifting Lugs	
15	1703814	3	Decal - Tie Down	
16	1704277	3	Decal - Lanyard Attach	
17	1703819	4	Decal - Directional Arrow	
18	1703822	1	Decal - Manual Descent Instructions	
19	1705692	1	Decal - Control Box Location	
20	2902523	1	Decal Kit - CE Spec (Includes Items 21, 22 & 27)	2
21	1705673	4	Decal - Crushing	
22	1705671	5	Decal - Electrocution	
27	1705670	2	Decal - Warning Battery Ventilation/Fire Hazard	
32	1705781	3	Decal - JLG	
44	1701499	1	Decal - No Lift (Part of Item 8)	
46	1001094359	1	Decal - Troubleshooting	
47	1001146794	2	Decal - See Manual	
49	1001216313	1	Decal - 24 Volts	
54	1001244301	1	Decal - No Over the Rail to Ground (SN B200051661 to Present, SN M200025381 through M200039289)	
55	1001244298	1	Decal - Wechat (SN B200051661 to Present, SN M200025381 through M200039289)	

SECTION 8 - DECALS

FIGURE 8-6. DECAL INSTALLATION - CHINESE SPEC (CHINESE/ENGLISH)

ITEM	PART NUMBER	QTY	DESCRIPTION	REV
	1001181274	Ref	DECAL INSTALLATION - CHINESE SPEC (CHINESE/ENGLISH)	H
		Ref	Note: See DECAL INSTALLATION - OPTIONS for additional decals.	
1	2080040	4	Fastener	
2	0860520	1	Box, Manual Storage	
5	2080057	4	Fastener	
7	See Note	1	Decal - Bar Code (Note: Not Available for Purchase)	
8	2902267	1	Decal Kit - Master (Standard Decals) (Includes Items 9-19 & 44)	B
9	1704412	1	Decal - Hydraulic Oil	
10	1705693	1	Decal - Safety Prop	
11	1704016	2	Decal - Forklift	
12	1702155	1	Decal - Battery Disconnect	
13	1701509	1	Decal - Manual Reference	
14	1703811	4	Decal - Lifting Lugs	
15	1703814	3	Decal - Tie Down	
16	1704277	3	Decal - Lanyard Attach	
17	1703819	4	Decal - Directional Arrow	
18	1703822	1	Decal - Manual Descent Instructions	
19	1705692	1	Decal - Control Box Location	
20	2902528	1	Decal Kit - Chinese Spec (Includes Items 21-27, 40 & 41)	B
21	1705694	4	Decal - Crushing	
22	1705695	4	Decal - Danger	
23	1705946	1	Decal - Legend	
24	1705680	1	Decal - Danger/Warning	
25	1705679	1	Decal - Inspection	
26	1705681	1	Decal - Electrocution	
27	1704344	2	Decal - Warning Battery Ventilation	
40	1705943	4	Decal - Crushing	
41	1705944	4	Decal - Electrocution	
43	1705945	1	Decal - Danger/Warning	
44	1701499	1	Decal - No Lift (Part of Item 8)	
46	1001094359	1	Decal - Troubleshooting	
47	1001146794	2	Decal - See Manual	
48	1001210849	1	Bracket, Decal (SN 0200253961 to Present, SN B200031076 to Present, SN M200001405 through M200039289)	
49	1001216313	1	Decal - 24 Volts (SN 0200257823 to Present, SN B200037115 to Present, SN M200002935 through M200039289)	
50	1705754	2	Decal - JLG (SN 0200262223 to Present, SN B200038735 to Present, SN M200007981 through M200039289)	
51	1001224050	1	Decal - Yearly Inspection (SN B200045810 to Present, SN M200015222 through M200039289)	
54	1001244301	1	Decal - No Over the Rail to Ground (SN B200051661 to Present, SN M200025381 through M200039289)	
55	1001244298	1	Decal - Wechat (SN B200051661 to Present, SN M200025381 through M200039289)	

SECTION 8 - DECALS

FIGURE 8-7. DECAL INSTALLATION - CSA SPEC (ENGLISH/FRENCH)

ITEM	PART NUMBER	QTY	DESCRIPTION	REV
	1001181271	Ref	DECAL INSTALLATION - CSA SPEC (ENGLISH/FRENCH)	H
		Ref	Note: See DECAL INSTALLATION - OPTIONS for additional decals.	
1	2080040	4	Fastener	
2	0860520	1	Box, Manual Storage	
4	1001131270	1	Decal - Patent	
5	2080057	4	Fastener	
7	See Note	1	Decal - Bar Code (Note: Not Available for Purchase)	
8	2902267	1	Decal Kit - Master (Standard Decals) (Includes Items 9-19 & 44)	B
9	1704412	1	Decal - Hydraulic Oil	
10	1705693	1	Decal - Safety Prop	
11	1704016	2	Decal - Forklift	
12	1702155	1	Decal - Battery Disconnect	
13	1701509	1	Decal - Manual Reference	
14	1703811	4	Decal - Lifting Lugs	
15	1703814	3	Decal - Tie Down	
16	1704277	3	Decal - Lanyard Attach	
17	1703819	4	Decal - Directional Arrow	
18	1703822	1	Decal - Manual Descent Instructions	
19	1705692	1	Decal - Control Box Location	
20	2902524	1	Decal Kit - CSA Spec (Includes Items 21-27, 40 & 41)	B
21	1705694	4	Decal - Crushing	
22	1705695	4	Decal - Warning/Danger	
23	1705723	1	Decal - Legend	
24	1705680	1	Decal - Danger/Warning	
25	1705679	1	Decal - Inspection	
26	1705681	1	Decal - Electrocution	
27	1704340	2	Decal - Warning Battery Ventilation	
40	1705717	4	Decal - Crushing	
41	1705718	4	Decal - Electrocution	
43	3252098	1	Nameplate - Warning/Danger	
44	1701499	1	Decal - No Lift (Part of Item 8)	
46	1001094359	1	Decal - Troubleshooting	
47	1001146794	2	Decal - See Manual	
48	1001210849	1	Bracket, Decal (SN 0200253961 to Present, SN B200031076 to Present, SN M200001405 through M200039289)	
49	1001216313	1	Decal - 24 Volts (SN 0200257823 to Present, SN B200037115 to Present, SN M200002935 through M200039289)	
50	1705754	2	Decal - JLG (SN 0200262223 to Present, SN B200038735 to Present, SN M200007981 through M200039289)	
51	1001223971	1	Decal - Yearly Inspection (SN B200045810 to Present, SN M200015222 through M200039289)	
52	1001228370	1	Decal - CSA Ices (SN B200045810 to Present, SN M200015222 through M200039289)	

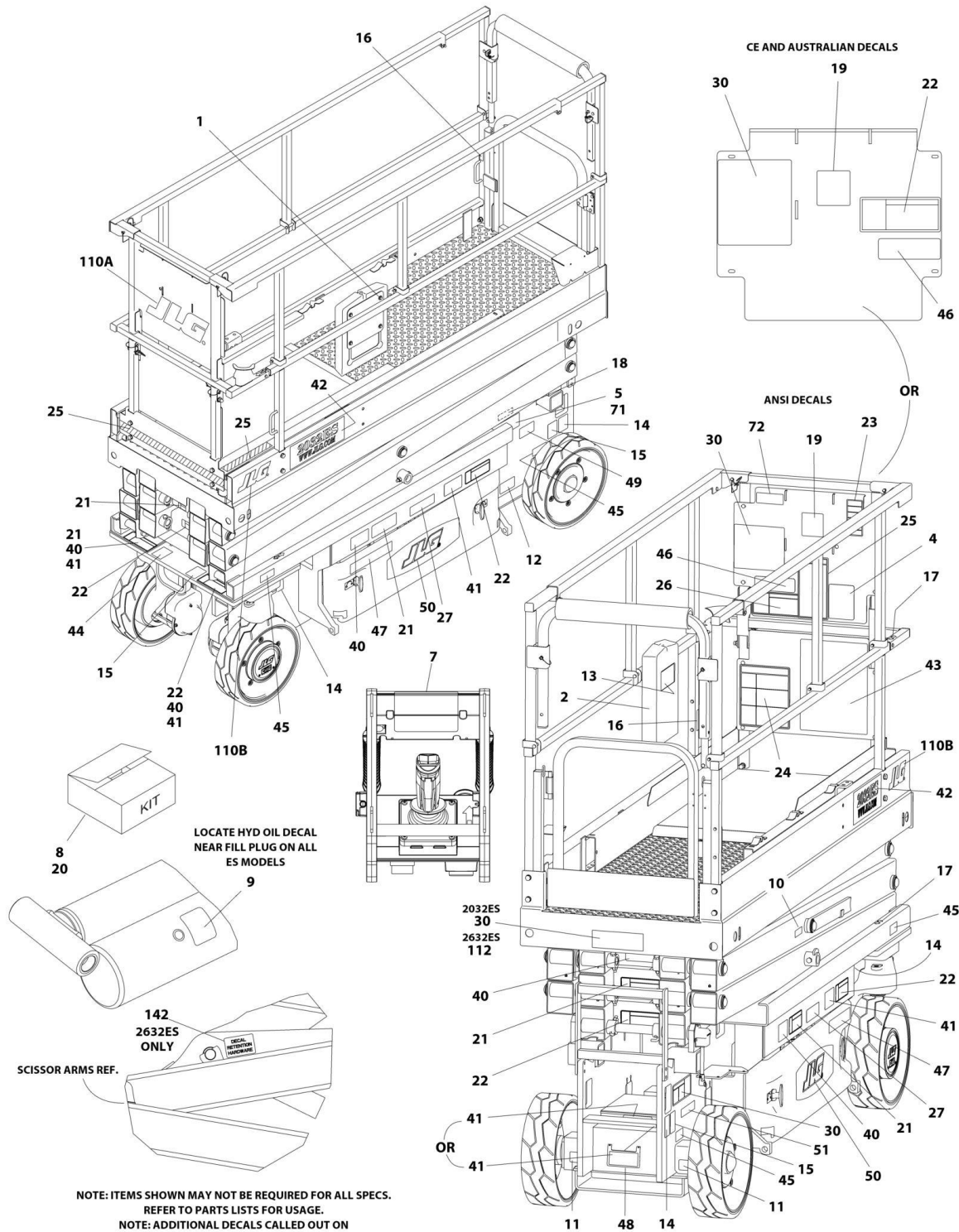
SECTION 8 - DECALS

FIGURE 8-8. DECAL INSTALLATION - KOREAN SPEC (KOREAN/ENGLISH)

ITEM	PART NUMBER	QTY	DESCRIPTION	REV
	1001181275	Ref	DECAL INSTALLATION - KOREAN SPEC (KOREAN/ENGLISH)	H
		Ref	Note: See DECAL INSTALLATION - OPTIONS for additional decals.	
1	2080040	4	Fastener	
2	0860520	1	Box, Manual Storage	
5	2080057	4	Fastener	
7	See Note	1	Decal - Bar Code (Note: Not Available for Purchase)	
8	2902267	1	Decal Kit - Master (Standard Decals) (Includes Items 9-19 & 44)	B
9	1704412	1	Decal - Hydraulic Oil	
10	1705693	1	Decal - Safety Prop	
11	1704016	2	Decal - Forklift	
12	1702155	1	Decal - Battery Disconnect	
13	1701509	1	Decal - Manual Reference	
14	1703811	4	Decal - Lifting Lugs	
15	1703814	3	Decal - Tie Down	
16	1704277	3	Decal - Lanyard Attach	
17	1703819	4	Decal - Directional Arrow	
18	1703822	1	Decal - Manual Descent Instructions	
19	1705692	1	Decal - Control Box Location	
20	2902532	1	Decal Kit - Korean Spec (Includes Items 21-27, 40 & 41)	2
21	1705694	4	Decal - Crushing	
22	1705695	4	Decal - Danger Electrocutation	
23	1706057	1	Decal - Legend	
24	1705680	1	Decal - Danger/Warning	
25	1705679	1	Decal - Inspection	
26	1705681	1	Decal - Electrocutation	
27	1707022	2	Decal - Warning Battery Ventilation	
40	1706052	4	Decal - Crushing Hazard	
41	1706056	4	Decal - Danger Electrocutation	
43	1706053	1	Decal - Danger/Warning	
44	1701499	1	Decal - No Lift (Part of Item 8)	
46	1001094359	1	Decal - Troubleshooting	
47	1001146794	2	Decal - See Manual	
48	1001210849	1	Bracket, Decal (SN 0200253961 to Present, SN B200031076 to Present, SN M200001405 through M200039289)	
49	1001216313	1	Decal - 24 Volts (SN 0200257823 to Present, SN B200037115 to Present, SN M200002935 through M200039289)	
50	1705754	2	Decal - JLG (SN 0200262223 to Present, SN B200038735 to Present, SN M200007981 through M200039289)	
51	1001224048	1	Decal - Yearly Inspection (SN B200045810 to Present, SN M200015222 through M200039289)	

SECTION 8 - DECALS

FIGURE 8-9. DECAL INSTALLATION - LATIN AMERICAN SPEC (ENGLISH/SPANISH)



ART_1001181272

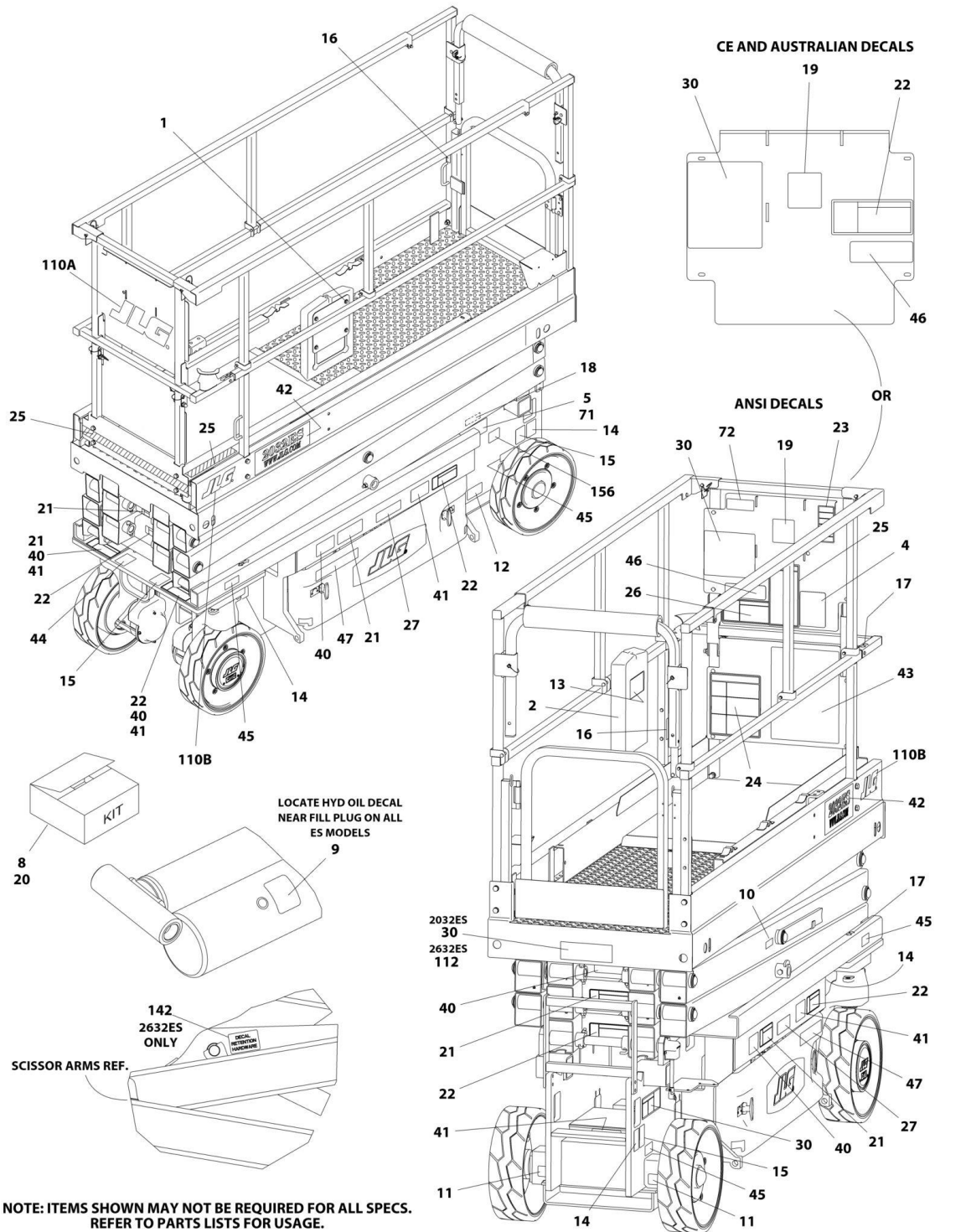
SECTION 8 - DECALS

FIGURE 8-9. DECAL INSTALLATION - LATIN AMERICAN SPEC (ENGLISH/SPANISH)

ITEM	PART NUMBER	QTY	DESCRIPTION	REV
	1001181272	Ref	DECAL INSTALLATION - LATIN AMERICAN SPEC (ENGLISH/SPANISH)	H
		Ref	Note: See DECAL INSTALLATION - OPTIONS for additional decals.	
1	2080040	4	Fastener	
2	0860520	1	Box, Manual Storage	
5	2080057	4	Fastener	
7	See Note	1	Decal - Bar Code (Note: Not Available for Purchase)	
8	2902267	1	Decal Kit - Master (Standard Decals) (Includes Items 9-19 & 44)	B
9	1704412	1	Decal - Hydraulic Oil	
10	1705693	1	Decal - Safety Prop	
11	1704016	2	Decal - Forklift	
12	1702155	1	Decal - Battery Disconnect	
13	1701509	1	Decal - Manual Reference	
14	1703811	4	Decal - Lifting Lugs	
15	1703814	3	Decal - Tie Down	
16	1704277	3	Decal - Lanyard Attach	
17	1703819	4	Decal - Directional Arrow	
18	1703822	1	Decal - Manual Descent Instructions	
19	1705692	1	Decal - Control Box Location	
20	2902525	1	Decal Kit - Latin American Spec (English/Spanish) (Includes Items 21-27, 40 & 41)	B
21	1705694	4	Decal - Crushing	
22	1705695	4	Decal - Danger Electrocutation	
23	1705720	1	Decal - Legend	
24	1705680	1	Decal - Danger/Warning	
25	1705679	1	Decal - Inspection	
26	1705681	1	Decal - Electrocutation	
27	1704339	2	Decal - Warning Battery Ventilation	
40	1705725	4	Decal - Crushing Hazard	
41	1705724	1	Decal - Danger Electrocutation	
43	1705719	1	Decal - Danger/Warning	
44	1701499	1	Decal - No Lift (Part of Item 8)	
46	1001094359	1	Decal - Troubleshooting	
47	1001146794	2	Decal - See Manual	
48	1001210849	1	Bracket, Decal (SN 0200253961 to Present, SN B200031076 to Present, SN M200001405 through M200039289)	
49	1001216313	1	Decal - 24 Volts (SN 0200257823 to Present, SN B200037115 to Present, SN M200002935 through M200039289)	
50	1705754	2	Decal - JLG (SN 0200262223 to Present, SN B200038735 to Present, SN M200007981 through M200039289)	
51	1001224049	1	Decal - Yearly Inspection (SN B200045810 to Present, SN M200015222 through M200039289)	

SECTION 8 - DECALS

FIGURE 8-10. DECAL INSTALLATION - OPTIONS



ART_OPTIONAL DECALS

SECTION 8 - DECALS

FIGURE 8-10. DECAL INSTALLATION - OPTIONS

ITEM	PART NUMBER	QTY	DESCRIPTION	REV
		Ref	DECAL INSTALLATION - OPTIONS	
25	0272721	Ref	Corner Safety Stripes Installation	C
25	4420051	51 in /1.3m	Tape, Safety	
30	1705639	3	Decal - 500LB Capacity (2032ES All Specs except Australian/CE Specs)	
30	1705667	1	Decal - 360KG (2032ES Australian, CE and China Specs)	
30	1705941	2	Decal - 500LB/227KG - 800LB/360KG Capacity (2632ES All Specs except Australian/CE Specs)	
30	1705942	1	Decal - 230KG/360KG Capacity (2632ES Australian, CE and China Specs)	
42	1001178302	2	Decal - 2032ES Model Designation	
42	1001216998	1	Decal - 2032ES Model Designation (Dual Language)	
42	1001178304	2	Decal - 2632ES Model Designation	
42	1001216999	1	Decal - 2632ES Model Designation (Dual Language)	
45	1704134	4	Decal - Maximum Tire Load (2032ES All Specs except Australian/CE Specs)	
45	1706310	4	Decal - Maximum Tire Load (2032ES All Specs except UL Specs)	
45	1706310	4	Decal - Maximum Tire Load (2632ES)	
71	See Note	1	Decal - Serial Number (Note: Not Available for Purchase)	
72	1705303	1	Decal - CSA (CSA Spec Only)	
74	3251813	1	Decal - USA (Not Shown) (SN 0200239382 through 0200243057)	
110	0272870	Ref	JLG Logo Installation (All Specs Except China Specs)	2
110	1001228965	Ref	JLG Logo Installation (China Specs)	A
110A	1702773	1	Decal - JLG (5 inch) (All Specs Except China Specs)	
110A	1705754	1	Decal - JLG (3.5 inch) (China Specs)	
110B	1705781	2	Decal - JLG (2.75 inch) (All Specs)	
112	1705880	1	Decal - 800LB/500LB Capacity (2632ES All Specs except Australian/CE Specs)	
142	1001116928	1	Hardware Retention Decal Installation (2632ES Only) (SN 0200000100 through 0200241221)	
142	1001116915	1	Decal, Hardware Retention (SN 0200000100 through 0200241221)	
156	1001214029	1	Decal Installation - EAC (Russian/CIS Specs)	A
156	1001173703	1	Decal - EAC (Russian/CIS Specs)	

SECTION 9 - RECOMMENDED SERVICE PARTS STOCK

SECTION 9 - RECOMMENDED SERVICE PARTS STOCK

SECTION 9 - RECOMMENDED SERVICE PARTS STOCK

FIGURE 9-1. RECOMMENDED SERVICE PARTS STOCK

ITEM	PART NUMBER	QTY	DESCRIPTION	REV
		Ref	Note: The following list will service one machine (built to current production per date on the front cover) with emergency repair parts which can be installed in the field. Parts from the list should be replaced when inventory is depleted to keep service parts stock supplied. For further information, contact your JLG dealer or the JLG Industries Parts Department.	
		Ref	STANDARD PARTS	
	4360069	1	Breaker, Circuit - 10Amp	
	4360328	1	Switch, Toggle	
	2860030	1	Key, Replacement	
	4360475	1	Switch, Mushroom	
	4360387	1	Switch, Push Button	
	1001092354	1	Switch, Rotary Angle Sensor	
	1600402	1	Controller, Drive/Steer	
	4360538	1	Switch and Membrane	
	4360539	1	Switch, Toggle	
	1001097347	1	Relay	
	70004928	1	Filter - 300 Micron	
	70003706	1	Filter - 300 Micron	
	70003707	1	Coil	
		Ref	VARIABLE PARTS	
	1001092456	1	Module, Drive Control	
	1001109088	1	Switch, Limit (Non-UL Machines)	
	1001126905	1	Switch, Limit (UL Machines)	
	1001130614	1	Switch, Limit (Machines with Overhead Protection and Low Height Drive Cutout)	
	0610161	1	PC Board - Charger	
	4360469	1	Switch, Key (All Specs except CE Specs)	
	4360470	1	Switch, Key (CE Specs)	
	1001163095	1	Sensor, Tilt (USA Built Machines)	
	1001169392	1	Sensor, Tilt (China Built Machines)	
	2940064	1	Latch, Snap (Machines with Chain Gate)	
	1600439	1	PC Board, Console Box	
	4360613	1	Switch, Limit (Brake Disconnect)	
	1001109475	1	Breaker, Circuit - 16Amp (CE Spec Only)	
	1001109482	1	Breaker, Circuit - 30mA (CE Spec Only)	
	1001152479	1	Breaker, Circuit - Double 16Amp (CE Spec Only)	

SECTION 10 - SPECIAL OPTIONS

SECTION 10 - SPECIAL OPTIONS

FIGURE 10-1. SPECIAL OPTIONS

ITEM	PART NUMBER	QTY	DESCRIPTION	REV
		Ref	Note: This list is to accommodate machines ordered with special equipment. Options may not be applicable to all models. For more specific parts information contact the JLG Parts Department.	
		Ref	SPECIAL OPTIONS	
	0272843	Ref	AC Plug and Receptacle Installation (Customer Supplied Plug and Receptacle)	
	0274370	Ref	Airline Installation (2032ES)	
	0274517	Ref	Airline Installation (2632ES)	
	0272913	Ref	Alarm Installation - Motion (See Ground Control Box /Alarm installation for Components)	
	1001185053	Ref	Alarm Add-on Kit - White Noise (Available on All Specs except UL Spec)	
	1001183458	Ref	Alarm Add-on Kit - Ambient Adjusting Motion (Dealer Installed)	
	0272878	Ref	Antivandalism Package (ANSI Export, CE, Australian, UL, China and Korea Specs Only)	
	1001213525	Ref	Antivandalism Package (ANSI Export, China and Korea Specs)	
	1001230525	Ref	Arm Spacer Kit	
	1001255613	Ref	Battery Charger Add-on Kit (Dealer Installed) (ANSI, ANSI Export & Korean Specs)	
	1001255614	Ref	Battery Charger Add-on Kit (Dealer Installed) (ANSI Export, China, & Korean Specs)	
	1001255596	Ref	Battery Charger Add-on Kit (Dealer Installed) (Australian Specs)	
	1001190011	Ref	Beacon Light Installation with 2 Lights	
		Ref	ClearSky (Telematics) Installations (Dealer Installed)	
	1001243574	Ref	ClearSky Telematics Access Control Kit (Dealer Installed) (All Specs)	
	1001243185	Ref	ClearSky Telematics Access Control Kit – Single Can (Dealer Installed) (ANSI Specs)	
	1001243186	Ref	ClearSky Telematics Access Control Kit – Single Can (Dealer Installed) (CE Specs)	
	1001255377	Ref	ClearSky Telematics - Canbus (Dealer Installed) (ANSI and CSA Specs)	
	1001253879	Ref	ClearSky Telematics - Canbus (Dealer Installed) (CE Specs)	
	1001254325	Ref	ClearSky Telematics - Canbus (Dealer Installed) (Australian Specs)	
	1001265384	Ref	ClearSky Telematics - Canbus (Dealer Installed) (China Specs)	
		Ref	ClearSky (Telematics) Installations (Factory Installed)	
	1001229107	Ref	ClearSky Telematics - 3 Wire (Factory Installed) (ANSI and CSA Specs)	
	1001233237	Ref	ClearSky Telematics - 3 Wire (Factory Installed) (ANSI Export, CE and Korea Specs)	
	1001253627	Ref	ClearSky Telematics - Canbus (Factory Installed) (ANSI and CSA Specs)	
	1001253948	Ref	ClearSky Telematics - Canbus (Factory Installed) (ANSI Export, CE and Korea Specs)	
	1001253949	Ref	ClearSky Telematics - Canbus (Factory Installed) (Australian Specs)	
	1001229696	Ref	Decals - ClearSky (ANSI, ANSI Export, CE, CSA and Korea Specs)	
	1706765	Ref	Decal - Hazardous Voltage (English Language) (Used with Inverter Installation) (ANSI and CSA Specs)	
	1001136847	Ref	Decal - Hazardous Voltage (English/Spanish Language) (Used with Inverter Installation) (ANSI Export, Chinese and Korea Specs)	
	1001230981	Ref	Decal - Quick Start Reference (Dutch Spec)	

SECTION 10 - SPECIAL OPTIONS

ITEM	PART NUMBER	QTY	DESCRIPTION	REV
	1001226419	Ref	Decal - Quick Start Reference (English Spec)	
	1001230979	Ref	Decal - Quick Start Reference (French Spec)	
	1001230975	Ref	Decal - Quick Start Reference (German Spec)	
	1001230980	Ref	Decal - Quick Start Reference (Italian Spec)	
	1001230983	Ref	Decal - Quick Start Reference (Russian Spec)	
	1001230982	Ref	Decal - Quick Start Reference (Spanish Spec)	
	1001230984	Ref	Decal - Quick Start Reference (Swedish Spec)	
	1706922	Ref	Decal - Service Support (24HR) (ANSI and CSA Specs)	
	1705304	Ref	Decal - Service Support (CSG Machines Only)	
	1001126013	Ref	Decals - UL (China Built Machines) (UL Specs)	
	1001200363	Ref	Decals - UL (Mexico Built Machines) (UL Specs)	
	0274126	Ref	Decals - UL (USA Built Machines) (UL Specs)	
		Ref	Decal Kits	
	2902522	Ref	Decal Kit - Country Spec (ANSI)	
	2902523	Ref	Decal Kit - Country Spec (Australian/CE)	
	2902526	Ref	Decal Kit - Country Spec (Brazil)	
	2902528	Ref	Decal Kit - Country Spec (Chinese)	
	2902524	Ref	Decal Kit - Country Spec (CSA)	
	2902532	Ref	Decal Kit - Country Spec (Korean)	
	2902525	Ref	Decal Kit - Country Spec (Latin American)	
	2902267	Ref	Decal Kit - Master	
	1001091968	Ref	Decal Kit - Platform Box	
	1001091393	Ref	Decal and Housing Kit - Platform Box	
	1001091965	Ref	Decal, Housing and PC Board Kit - Platform Box	
	1001212665	Ref	Decal Kit - 2032ES	
	1001212666	Ref	Decal Kit - 2632ES	
	1001233087	Ref	Drive Motor Covers	
		Ref	Electrical Connector Kits	
	1001148902	Ref	Amp/Tyco Electrical Connector Kit	
	1001148903	Ref	Deutsch DT Electrical Connector Kit	
	1001148904	Ref	Deutsch HD Electrical Connector Kit	
	1001148905	Ref	Packard Electrical Connector Kit	
	1001148906	Ref	Various Electrical Connectors Kit	
	1001247037	Ref	Enhanced Detection System (EDS) Installation Kit - Level 1	
	1001247036	Ref	Enhanced Detection System (EDS) Installation Kit - Level 2	
	1001232485	Ref	ES Lift Pin Kit (2632ES)	
	1001109345	Ref	ES Pothole Protection Switch Kit	
	0274849	Ref	Fire Extinguisher Installation (ANSI Spec Only) (SN 0200239382 through 0200245234)	
	1001189484	Ref	Fire Extinguisher Installation (ANSI Spec Only) (SN 0200245235 to Present)	
	0273762	Ref	Footswitch Installation with LSS (ANSI Export, Japanese and Korea Specs)	
	1001185666	Ref	Footswitch Installation without LSS (Factory Installed) (Japanese Spec Only) (2032ES)	
	1001192498	Ref	Footswitch Installation without LSS (Add-on Kit) (Japanese Spec Only) (2032ES)	
	1001185668	Ref	Footswitch Installation without LSS (Factory Installed) (Japanese Spec Only) (2632ES)	
	1001192499	Ref	Footswitch Installation without LSS (Add-on Kit) (Japanese Spec Only) (2632ES)	
	1001219424	Ref	Frame Protective Cover (All Specs Except CE Specs)	
	2300028	Ref	Hydraulic Fluid - Mobil DTE 10 Excel 15 (Machines with Standard	

SECTION 10 - SPECIAL OPTIONS

ITEM	PART NUMBER	QTY	DESCRIPTION	REV
			Oil)	
	2300042	Ref	Hydraulic Fluid - Mobil EAL H 32 (Machines with Biodegradeable Oil)	
	0273859	Ref	Hydraulic Pressure Checks Installation (All Specs except Australian and CE Specs)	
	1001154516	Ref	Inverter/Battery Charger (900W-60Hz) Installation (2032ES ANSI Spec Only)	
	1001228900	Ref	Inverter/Battery Charger (900W-60Hz) Installation (2632ES ANSI Spec Only)	
	1001140336	Ref	Latch, Magnetic Gate (ANSI, ANSI Export, Australian, Chinese, Japanese and Korea Specs)	
	0273454	Ref	Lifting Lugs Installation (Factory Installed) (All Specs except Australian Specs)	
	1001229207	Ref	Lifting Lug Add-On Kit (Customer Installed) (All Specs except Australian Specs)	
	1001135753	Ref	Lifting Lugs Installation (Australian Specs Only)	
	1001215518	Ref	Machine Kit	C
	1001215520	1	2032ES Machine Sub-Assembly	C
	1001215521	1	2632ES Machine Sub-Assembly	C
	1001219125	1	Controller (ES System Module)	
	1001215241	1	Batteries Installation (220 A-HR) (Standard)	
	1001215242	1	Batteries Installation (245 A-HR) (No Lock)	
	1001215243	1	Batteries AGM Installation (220 A-HR) (No Lock)	
	2940175	1	Battery Cover Latch (Locking)	
	1001260888	Ref	Leak Containment Add-on Kit (Dealer Installed)	
	1001263426	Ref	Mobile Control Add-on Kit (Dealer Installed)	
	1001214383	Ref	Overhead Protection and Low Height Drive Cutout - 2032ES (Korea Specs Only)	
	1001214120	Ref	Overhead Protection and Low Height Drive Cutout - 2632ES (Korea Specs Only)	
	1001199182	Ref	Pipe Rack Installation Kit (Customer Installed)	
	1001118216	Ref	Platform Control Box Cover Installation (ANSI Export, CE, Chinese, Japanese, Korea and UL Specs)	
	1001104467	Ref	Platform Corner Hook Add-on Kit (Dealer Installed)	
	1001238849	Ref	Platform Entry Kit (Chain Entry)	
	1001262556	Ref	Platform Entry Kit (Gate Entry)	
	1001239166	Ref	Platform Extension Kit	
	1001231786	Ref	Platform Extension Block Installation	
	1001214536	Ref	Platform Extension Lock Replacement Kit	
	1001213818	Ref	Platform Overhead Switch Kit	
	1001213858	Ref	Platform Overhead Switch Kit	
	1001176746	Ref	Platform Rail Padding Installation (Available on All Spec)	
	1001176751	Ref	Platform Rail Padding with Limit Switches (ANSI and UL Specs)	
	1001176747	Ref	Platform Rail Padding with Limit Switches (ANSI, ANSI Export, Chinese and Korea Specs)	
	1001232563	Ref	Platform Soft Touch Kit (ANSI, ANSI Export and China Specs)	
	1001180072	Ref	Platform Worklights Installation (Note: Not Available on UL Machines)	
	1001220689	Ref	Platform Worklights Installation 24 Volt (Dual) (ANSI Export, China and Korea Specs Only)	
	1001171015	Ref	RCD Box Installation (Brazil Spec Only)	
	1001230763	Ref	Service Kits/Tools	K
	1001249707	Ref	SkySense Add-on Kit - Level 1 (Dealer Installed)	
	1001252438	Ref	SkySense Add-on Kit - Level 2 (Dealer Installed)	

SECTION 10 - SPECIAL OPTIONS

ITEM	PART NUMBER	QTY	DESCRIPTION	REV
	3125053	Ref	Video, Operators (ANSI, ANSI Export and UL Specs)	
	1001262959	1	Voltage Regulator Relocation Kit (ClearSky)	
	1001185053	Ref	White Noise Motion Alarm Kit	
	1001246747	Ref	WorkStation Add-on Kit with DC Convertor (Dealer Installed)	
	1001246750	Ref	WorkStation Add-on Kit with DC Convertor (2032ES) (Dealer Installed)	
	1001246751	Ref	WorkStation Add-on Kit with DC Convertor (2632ES) (Dealer Installed)	
	1001193039	Ref	ZAPI Programming Harness	

PART NUMBER INDEX

SECTION 10 - SPECIAL OPTIONS

0060091.....31, 33	0274386253	0701015.....147, 151, 155,	0962257 297, 300, 304,
0100011...15, 17, 59, 139,	0274517484	159, 164, 170, 176,	308, 312, 317, 320,
221, 223, 225	0274849485	182, 188, 194, 200, 206	324, 328, 332
0100048.....139, 213, 215,	0275020123	0701017 71, 73, 164, 176,	1001091102.....347, 349,
369, 371, 373, 375,	0275021127	188, 200	351, 353, 355, 357
377, 379, 381, 383,	0275022125	0701018.....227, 235	1001091153.....247
385, 387, 389, 391	0275042117	0701019.....227, 229, 231,	1001091154.....249
0100051.....107, 109, 111,	0275043121	233, 235, 237, 239,	1001091272.....247
113, 115, 117, 119,	0275044119	241, 243, 245, 267, 269	1001091275.....249
121, 123, 125, 127, 129	0275073285, 289	0701020 15, 17, 239, 245,	1001091277.....247, 249
0140011247, 249	0275074287, 291	267, 269	1001091278.....247, 249
0140043.....77, 79, 81, 83,	027510459	0701021229, 237	1001091279.....247, 249
85, 87, 89, 91	0275216349, 447	0701022.....145, 147, 149,	1001091280.....247, 249
0200799.....147, 151, 155,	0275217351, 449	151, 153, 155, 157,	1001091283.....247, 249
159, 164, 170, 176,	0275401107	159, 161, 164, 167,	1001091393.....247, 249,
182, 188, 194, 200, 206	0275432141	170, 173, 176, 179,	485
0200800.....164, 170, 176,	0275452357, 455	182, 185, 188, 191,	1001091396.....247, 249
182, 188, 194, 200, 206	0275453347, 355, 453	194, 197, 200, 203, 206	1001091479.....59
0200801.....164, 170, 176,	0275454353, 451	0701024.....209, 211, 213,	1001091965.....247, 249,
182, 188, 194, 200, 206	0275486342, 353	215	485
0200802.....147, 151, 155,	0275487342, 349	0701027.....209, 211, 213,	1001091968.....247, 249,
159, 164, 170, 176,	0275488342, 351	215	485
182, 188, 194, 200, 206	0275530139	0701029.....164, 170, 176,	1001092354.....145, 149,
0200803.....147, 151, 155,	0275663401	182, 188, 194, 200, 206	153, 157, 161, 167,
159, 164, 170, 176,	0275664399	0710617271, 273	173, 179, 185, 191,
182, 188, 194, 200, 206	0275665397	0740603257, 259	197, 203, 482
0200804.....147, 151, 155,	0275666393	0760605.....371, 375, 379,	1001092454.....139
159, 164, 170, 176,	0275667395	383, 387, 391	1001092456... 19, 21, 482
182, 188, 194, 200, 206	0380025 93, 95, 97, 99,	0760606.....369, 371, 373,	1001092738..... 19, 21, 24
0200805.....164, 170, 176,	101, 103, 105	375, 377, 379, 381,	1001093556.....139, 435
182, 188, 194, 200, 206	0400215 123, 125, 127	383, 385, 387, 389, 391	1001093839.....59
0200807.....147, 151, 155,	0400216 117, 119, 121	0760610.....107, 109, 111,	1001094105.....435
159, 164, 170, 176,	0440223261	117, 119, 121, 123,	1001094175.....369, 371,
182, 188, 194, 200, 206	0440259. 15, 17, 335, 337	125, 127, 129, 277,	373, 375, 377, 379,
0200816.....147, 151, 155,	0440265 145, 149, 153,	279, 369, 371, 373,	381, 383, 385, 387,
159	157, 161, 167, 173,	375, 377, 379, 381,	389, 391
0200834.....147, 151, 155,	179, 185, 191, 197, 203	383, 385, 387, 389, 391	1001094180.....369, 373,
159, 164, 170, 176,	0440266 147, 151, 155,	076061645	377, 381, 385, 389
182, 188, 194, 200, 206	159, 164, 170, 176,	076081259	1001094203.....139
0240054281	182, 188, 194, 200, 206	0761014.....209, 211, 213,	1001094301.....19, 21
0240071257, 259	0440267 147, 151, 155,	215	1001094359.....461, 463,
0240087255	159, 164, 170, 176,	0840055431, 433	465, 467, 469, 471,
0240102261	182, 188, 194, 200, 206	0840058.....405, 407, 409,	473, 475, 477
0240144277, 279	0480100283	431, 433, 439, 441	1001096138.....405, 407,
0272721479	0561520 209, 211, 213,	0840059411	409
0272839345	215	0840060361	1001096706.....369, 371,
0272843484	0610161 93, 95, 97, 99,	0840061.....423, 425, 427,	373, 375, 377, 379,
0272870479	101, 103, 105, 482	429, 431, 433	381, 383, 385, 387,
027287435	063058019, 21	0860520.....461, 463, 465,	389, 391, 439
027287539, 47	0641514283	467, 469, 471, 473,	1001096794.....369, 371,
0272878484	070051047, 49, 51	475, 477	373, 375, 377, 379,
0272880285	0700608281	0861527285, 287	381, 383, 385, 387,
0272881287	0700610261	0861650131	389, 391, 443
0272913484	070061431, 33	0861677133	1001096795.....361
0273454486	0700615 69, 77, 79, 81,	0861678.....111, 121, 127,	1001097150.....365, 367
0273698.....107, 109, 113,	83, 85, 87, 89, 91, 271,	133	1001097347.....405, 407,
115, 117, 119, 123,	273, 275	0861731.....445, 451, 453,	409, 482
125, 129, 131	070061643	455	1001100341.....447
0273762485	0700617213, 215	0861781447, 449	1001100342.....449
0273859486	070061845	0861880365	1001100345.....455
0273955257	070061919, 21	090278059	1001100346.....451
0273956259	0700814219	090331959	1001100347453
0273965255	0700817 170, 182, 194,	0903416289, 291	1001100451.....107, 109,
0274126485	206, 219	0903566.....349, 351, 353	111, 113, 115, 117,
0274153261		0903569.....349, 351	119, 121, 123, 125,
0274370484			127, 129

SECTION 10 - SPECIAL OPTIONS

1001101540 349, 351, 353	1001129290176, 182, 324	1001165316 ..93, 97, 101, 105	1001178322.....381
100110225835, 37, 39, 41, 43, 45, 47, 49, 51, 53, 61, 63, 65, 67	1001130614263, 265, 267, 269, 482	100116619477, 93	1001178323.....221
100110234927	1001131005149	100116619585, 101	100117835733
100110235127	1001131006173	100116619781, 89, 91, 97, 105	1001178493.....361
100110235327	1001131010157	1001166255 ..93, 97, 101, 105	1001178528.....361
100110235427	1001131011197	1001166759342	1001178687.....369, 371, 377, 379, 423
100110248935, 37, 39, 41, 43, 53	1001131020149, 151	1001166776 ..93, 97, 101, 105	1001178688.....381, 383, 389, 391, 427
100110325735, 37, 67	1001131021173, 176	100116682377	1001178689.....385, 387, 429
100110325839, 41, 47	1001131028157, 159	100116682585	1001178690.....373, 375, 425
100110347143, 45	1001131029197, 200	100116682881, 89	1001179272.....235, 241
1001104467486	1001131034159, 312	1001167256 ..93, 97, 101, 105, 419	1001179273.....231, 241
100110908831, 482	1001131035200, 206, 332	1001169392482	1001179275.....231, 233, 241, 243
100110923231, 33	1001131270461, 473	1001171015486	1001179276.....231, 233, 241, 243
100110923331, 33	1001132233109	100117200849, 51, 53	1001179277231, 233, 241, 243
1001109345485	100113243924, 413	100117201049, 51, 53, 61, 63	1001179287231, 233, 241, 243
1001109475365, 482	1001135753486	1001173703479	1001179288.....231, 233, 241, 243
1001109482365, 482	1001136847484	1001175188209, 211, 213, 215	1001179296.....231, 233, 241, 243
100111211135, 39, 43, 47, 49, 51, 53, 55	1001137675239, 245	100117519869	1001179298.....231, 233, 241, 243
1001112112107, 109, 111	1001140336486	1001175274217	1001179299.....231, 233, 241, 243
100111211335, 39, 43, 47, 49, 51, 53, 61, 63, 65, 67, 107, 109, 111, 117, 119, 121, 123, 125, 127, 129	1001143663340	1001175290217	1001179301.....231, 241
100111357643	1001146794461, 463, 465, 469, 471, 473, 475, 477	1001175462209, 213, 217	1001179304.....231, 241
100111388815, 17	1001146795467	100117559869	1001179332.....231, 233, 241, 243
100111446629	1001148902485	1001176738235	1001179428.....37
100111488219	1001148903485	1001176741227	100117944717, 337
100111488579	1001148904485	1001176746486	1001179448.....17
100111488683	1001148905485	1001176747486	1001179839.....227, 231
100111492587	1001148906485	1001176751486	1001180072.....486
100111492979, 95	1001152479367, 482	1001176755279	1001180090..93, 97, 101, 105
100111493087, 103	1001152482367	1001177177209	1001180197.....281
100111493283, 99	1001152483367	1001177178213	1001180205.....281
1001114933 ..95, 99, 103	1001152485355, 357, 367	100117741571	1001180216.....281
1001114935 ..95, 99, 103, 417	1001154516486	100117743515, 335	1001180312.....41
100111493793, 95, 97, 99, 101, 103, 105	1001155841147, 300	100117746571	1001181045.....365
1001114992361	1001155842164, 170, 320	100117784237, 41, 57	1001181267.....467
1001115002369, 371, 373, 375, 377, 379, 381, 383, 385, 387, 389, 391, 411	1001157316145, 147	1001177911170, 182, 194, 206	1001181268.....461
1001115076405, 407	1001157317161, 164	1001177913170, 182, 194, 206	1001181269.....467
1001115077419, 421	1001157322145	1001177914170, 182, 194, 206	1001181270.....463
1001115126342	1001157323161	100117796615	1001181271.....473
100111517019, 21	1001157330155, 308	100117802673	1001181272.....477
1001116076409	1001157331188, 194, 328	100117802873	1001181273.....465
1001116732407	1001157335153, 155	100117814631, 33	1001181274.....471
1001116733407	1001157336185, 188	100117814731, 33	1001181275.....475
1001116915479	1001157340153	1001178163277	1001182062.....217
1001116928479	1001157341185	100117823431	1001182302.....209, 213, 221
1001117057405, 407, 409	1001157890409	100117823931, 33	1001182304.....221, 225
1001118216486	1001159186419, 421	1001178302479	1001182305.....221, 225
1001119032419, 421	1001159192111	1001178304479	1001182338.....221, 225
1001126013485	1001162362355, 357	1001178315361	1001182339.....217, 219
100112690533, 482	1001162447342, 355	1001178316361	1001182847.....281
1001129289151, 304	1001162449342, 357	1001178317361, 369, 371, 373, 375, 377, 379, 381, 383, 385, 387, 389, 391	1001182848.....277
	1001163095..93, 97, 101, 105, 482	1001178318369	1001182849.....279
	1001165284..93, 97, 101, 105	1001178320373	1001183458.....484
	1001165286..93, 97, 101, 105	1001178321385	
	1001165315..93, 97, 101, 105		

SECTION 10 - SPECIAL OPTIONS

100118494747, 49, 51	1001211896.....239, 245	1001217732 245	1001232541 469
1001185053484, 487	1001212459..... 47	1001217733 245	1001232563486
100118515647, 49, 51	1001212665.....485	1001217734 245	1001233087485
100118530647, 49, 51	1001212666.....485	1001217735 245	1001233237484
1001185666 485	1001212701.....237	1001217736 245	1001233888.....131, 133
1001185668 485	1001212851.....229	1001217737 245	1001234398.....209, 213, 223
100118583047, 49, 51	1001212868.....237, 243	1001217739 239	1001234399.....223, 225
100118649747, 49, 51	1001212869.....233, 243	1001217740 239	1001234401223
100118649861, 63	1001212870.....233, 243	1001217746 245	1001234783261
100118710147, 49, 51	1001212871.....233, 243	1001217747 245	1001238849486
1001187198369, 371, 373, 375, 381, 383, 385, 387, 405, 407	1001212872.....229, 233	1001217923 219	1001239166486
100118753047, 49, 51	1001213525.....484	1001217924 219	1001243185484
1001187585231, 233, 241, 243	1001213660.....267, 269	100121859561, 63, 65, 67	1001243186484
1001187587231, 233, 239, 241, 243, 245, 283	1001213818.....267, 269, 271, 486	1001218808 ...61, 63, 65, 67	1001243574484
1001187816 359	1001213820273	1001219123 21	1001243601217, 219
1001188116 359	1001213821271, 273, 275	1001219125 486	1001244298469, 471
1001189171 367	1001213822271, 273, 275	1001219349 371	1001244301469, 471
1001189172 367	1001213857271	1001219350 383	1001244948 67
1001189484 485	1001213858.....267, 269, 273, 486	1001219351 375	1001245319 65
1001189762231, 233, 241, 243	1001214029.....479	1001219352 387	1001246747487
1001190011 484	1001214120.....269, 486	1001219358 379	1001246750487
1001190902 179, 182	1001214310275	1001219359 391	1001246751487
1001190904 179	1001214311267, 269, 275	1001219424 485	1001247036485
1001190905203, 206	1001214338.....265, 269	1001220668371, 375, 379, 383, 387, 391	1001247037485
1001190906 203	1001214341265, 267, 269	1001220689 486	1001248130 113
1001190907 167, 170	1001214347113, 115	1001221475 223, 225	1001248131 115
1001190908 167	1001214383.....267, 486	1001221476 223, 225	1001249707486
1001190909 191, 194	1001214384263, 267	1001221857 49, 51	1001252438486
1001190910 191	1001214409.....263, 265, 267, 269	1001221949 403	1001252957 45
1001192401405, 407, 409	1001214536486	1001221984 403	1001252963 45
1001192498 485	1001215164239	1001222914 275	1001253627484
1001192499 485	1001215165211, 215, 219	1001223055 461	100125363845
1001193039 487	1001215179245	1001223055 461	100125364145
1001196835377, 379, 389, 391, 409	1001215241486	1001223055 461	100125364345
1001196838409, 433	1001215242486	1001223971 473	1001253879484
1001196864 377	1001215243486	1001224048 475	1001253948484
1001196866 389	100121524791	1001224049 477	1001253949484
1001198711 359	100121524891	1001224050 471	100125395245
1001199182 486	1001215326.....47, 49, 51	1001224052 465	1001254325484
1001199189 283	1001215518486	1001226419 485	1001255377484
1001200363 485	1001215520486	1001227213 43, 45	1001255596484
1001201240 441	1001215521486	1001227219 43	1001255613484
1001201243369, 373, 377, 381, 385, 389, 441	1001215870....35, 39, 43, 45, 47, 49, 51, 53, 61, 63, 65, 67	100122726743, 45	1001255614484
1001202618 419	1001216313.....461, 463, 465, 467, 469, 471, 473, 475, 477	1001228370461, 473	1001255614484
1001202619 419	1001216837211	1001228900 486	1001260888486
100120675871, 73	1001216838215	1001228965 479	1001262556486
1001207974 45	1001216998479	1001229107 484	1001262959487
100120864193, 421	1001216999479	1001229207 486	1001263062.....213, 433
1001209104 129	1001217118245	1001229441 283	1001263426486
1001209256211, 215, 225	1001217173245	1001229469 283	1001265384484
1001209280 225	1001217327467	1001229696 484	1060331257, 259
1001210433369, 373, 377, 381, 385, 389	1001217666275	1001230525 484	1060379231, 255, 257, 259, 261, 281, 283, 285, 287
1001210849465, 471, 473, 475, 477	1001217729219	1001230754 263	106068943, 45
1001211593 347	1001217730219	1001230755 265	1060908365, 367
1001211892 219	1001217731239, 245	1001230763 486	1060957285, 287
1001211895239, 245		1001230975 485	1060998 361
		1001230979 485	1061034145, 149, 153, 157, 161, 167, 173, 179, 185, 191, 197, 203, 297, 317
		1001230980 485	1120555255, 257, 259
		1001230981 484	1180382147, 151, 155, 159, 164, 170, 176, 182, 188, 194, 200, 206
		1001230982 485	
		1001230983 485	
		1001230984 485	
		1001231786 486	
		1001231801 461	
		1001232145 217	
		1001232485 485	

SECTION 10 - SPECIAL OPTIONS

1180383 164, 170, 176, 182, 188, 194, 200, 206	1703834 465	1705942 479	2902522 461, 485
1260136 227, 229	1704016 461, 463, 465, 467, 469, 471, 473, 475, 477	1705943 471	2902523 463, 467, 469, 485
1271631 277, 279	1704134 479	1705944 471	2902524 473, 485
1320043 59	1704277 461, 463, 465, 467, 469, 471, 473, 475, 477	1705945 471	2902525 477, 485
1320136 39, 41, 43, 45, 47	1704339 477	1705946 471	2902526 465, 485
1320224 285, 287	1704340 473	1705953 285, 287	2902528 471, 485
1320318 213, 215	1704341 465	1705997 255, 257, 259	2902532 475, 485
1321293 35, 37, 39, 43, 47, 49, 51, 53, 61, 63, 65, 67	1704344 471	1706052 475	2902541 349, 351, 353, 365
1321716 369, 371, 373, 375, 377, 379, 381, 383, 385, 387, 389, 391	1704412 461, 463, 465, 467, 469, 471, 473, 475, 477	1706053 475	2915013 29
1380132 233, 243	1705052 59	1706056 475	2915230 55
1380153 15, 17	1705213 285, 287	1706057 475	2920026 97, 99, 101, 103, 105
1380156 247, 249	1705214 285, 287	1706310 479	2920094 97, 99, 101, 103, 105
1380158 213, 215, 369, 371, 373, 375, 377, 379, 381, 383, 385, 387, 389, 391	1705303 479	1706350 135, 137	2920161 69
1580023 255, 257, 259	1705304 485	1706679 139	2940064 227, 229, 482
1580024 255, 257, 259	1705305 285, 287	1706749 59	2940174 135
1600387 213, 215	1705639 479	1706765 484	2940175 137, 486
1600402 247, 249, 251, 482	1705667 479	1706922 485	3010088 227, 229
1600439 247, 249, 482	1705670 463, 467, 469	1707022 475	3010158 31, 33
1671098 247, 249	1705671 463, 467, 469	2030010 289, 291	3080007 235, 237, 239
1671105 93, 95, 97, 99, 101, 103, 105	1705673 463, 467, 469	2080040 231, 233, 235, 237, 239, 241, 243, 245, 461, 463, 465, 467, 469, 471, 473, 475, 477	3125053 487
1671202 107, 113, 117, 123, 129, 135	1705676 247, 249	2080057 461, 463, 465, 467, 469, 471, 473, 475, 477	3200454 145, 149, 153, 157, 161, 167, 173, 179, 185, 191, 197, 203
1671203 135, 137	1705679 461, 471, 473, 475, 477	2110404. 15, 17, 335, 337	3251813 479
1671204 109, 111, 115, 119, 121, 125, 127, 137	1705680 461, 471, 473, 475, 477	2220882 297, 317	3252098 473
1671207 445	1705681 461, 471, 473, 475, 477	2220883 296, 297, 316, 317	3252507 347, 351, 353, 355, 357, 359
1671266 59	1705686 461	2300028 485	3290405 31, 33, 43, 47, 49, 51, 253, 345, 347, 349, 351, 353, 355, 357, 359
1684487 296	1705692 461, 463, 465, 467, 469, 471, 473, 475, 477	2300042 486	3290505 43, 45, 47, 49, 51
1684488 316	1705693 461, 463, 465, 467, 469, 471, 473, 475, 477	2400060 405, 407, 409, 433	3290601 369, 371, 377, 379, 381, 383, 389, 391
1684527 296	1705694 461, 471, 473, 475, 477	2400061 257, 259	3290605 19, 21, 31, 33, 43, 45, 61, 63, 65, 67, 69, 107, 109, 111, 113, 115, 117, 119, 121, 123, 125, 127, 129, 221, 225, 349, 351, 369, 371, 373, 375, 377, 379, 385, 387
1684528 316	1705695 461, 471, 473, 475, 477	2400066 257, 259	3290606 213, 215, 227, 229, 231, 233, 235, 237, 241, 243, 261, 271, 273, 275, 277, 279, 281, 285, 287, 289, 291, 369, 371, 373, 375, 377, 379, 381, 383, 385, 387, 389, 391
1701499 461, 463, 465, 467, 469, 471, 473, 475, 477	1705696 93, 95	2420172 93, 95, 97, 99, 101, 103, 105	3290607 45
1701509 461, 463, 465, 467, 469, 471, 473, 475, 477	1705697 97, 99, 101, 103, 105	2540042 437	3290805 219
1702010 277, 279	1705698 93, 95, 97, 99, 101, 103, 105	2540045 209, 211, 213, 215	3290806 233, 243
1702155 461, 463, 465, 467, 469, 471, 473, 475, 477	1705717 473	2560088 233, 243	3290807 170, 182, 194, 206
1702773 479	1705718 473	2560179 247, 249	3291005 31, 33, 71, 73, 145, 149, 153, 157, 161, 167, 173, 179, 185, 191, 197, 203, 209, 211, 213, 215,
1703464 345, 349	1705719 465, 477	2560190 233, 243	
1703811 461, 463, 465, 467, 469, 471, 473, 475, 477	1705720 477	2600281 235, 237, 239	
1703813 461	1705721 465	2700100 255, 257, 259	
1703814 461, 463, 465, 467, 469, 471, 473, 475, 477	1705722 465	2780266 19, 21, 27	
1703819 247, 249, 461, 463, 465, 467, 469, 471, 473, 475, 477	1705723 473	2792599 340	
1703822 461, 463, 465, 467, 469, 471, 473, 475, 477	1705724 465, 477	2820026 423, 425, 427, 429, 439, 441	
	1705725 465, 477	2820028 405, 409, 423, 425, 427, 429, 439, 441	
	1705726 465	2820029 407	
	1705727 465	2820097 227, 229	
	1705754 135, 137, 285, 287, 461, 463, 465, 471, 473, 475, 477, 479	2820152 409	
	1705781 467, 469, 479	2820239 59	
	1705880 479	2860030 93, 95, 97, 99, 101, 103, 105, 482	
	1705894 465	2902267 461, 463, 465, 467, 469, 471, 473, 475, 477, 485	
	1705941 479	2902331 141	
		2902334 285, 287	
		2902348 255, 257, 259	
		2902386 261	
		2902431 345, 445	

SECTION 10 - SPECIAL OPTIONS

223, 225, 227, 229, 235, 237, 239, 245	3423278 231, 233, 241, 243	3951608..... 141	4240164281
3291006.....227, 231, 233, 235, 239, 241, 243, 245, 267, 269	345040627	4010405..... 359	4240165277, 279
3291007.....147, 151, 155, 159, 164, 170, 176, 182, 188, 194, 200, 206	3460334 255, 257, 259	4010408...47, 49, 51, 345, 347, 349, 351, 353, 355, 357	4240172111, 127
3300048.....285, 287	3520072 227, 229, 235, 237, 239, 261	4010412.....47, 49, 51	4340739 95, 99, 103
3300423..... 27	3520176281	4010608.....285, 287, 289, 291, 355, 357	4340853 255, 257, 259
3300473.....247, 249	352019393, 95	4010612.....349, 351	4340854 255, 257, 259
3300477.....227, 229, 235, 237	3574161 147, 151, 155, 159, 164, 170, 176, 182, 188, 194, 200, 206	4010614.....285, 287	4340931213, 215
3310601.....257, 259	357417631, 33	4010616.....227, 229, 231, 233, 235, 237, 241, 243, 369, 371, 373, 375, 377, 379, 381, 383, 385, 387, 389, 391	4340938285, 287
3311005.....257, 259	3574505277, 279	4010617.....231, 241	4340946261
3311405.....257, 259	3574506277, 279	4010618.....231, 233, 241, 243, 289, 291	4340947261
3311505.....283	3574981 ... 107, 109, 111, 113, 115, 117, 119, 121, 123, 125, 127, 129	4031510.....47, 49, 51	4360069 93, 95, 97, 99, 101, 103, 105, 482
3321005.....93, 95, 97, 99, 101, 103, 105	3574984 107, 109, 111, 113, 115, 117, 119, 121, 123, 125, 127, 129	4031511.....263, 265, 267, 269	4360155285, 287
3321402.....145, 149, 153, 157, 161, 167, 173, 179, 185, 191, 197, 203, 297, 317	3575794253	4031512.....31, 33	4360328 93, 95, 97, 99, 101, 103, 105, 482
3340612.....231, 233, 241, 243, 245	3577076131, 133	4031607..... 139	4360470 101, 103, 482
3340957.....145, 149, 153, 157, 161, 167, 173, 179, 185, 191, 197, 203	3730119439, 441	4031707..... 67	4360475 93, 95, 97, 99, 101, 103, 105, 247, 249, 482
3340962.....147, 151, 155, 159, 164, 170, 176, 182, 188, 194, 200, 206	374015019, 21	4031708.....61, 63, 65, 67	4360538 247, 249, 482
3340968.....247, 249	376011531, 33	4031713.....117, 119, 121, 369, 371, 373, 375, 377, 379, 381, 383, 385, 387, 389, 391	4360539 247, 249, 482
3380475.....247, 249	3760170 147, 151, 155, 159, 164, 170, 176, 182, 188, 194, 200, 206, 231, 255, 257, 259, 261, 281, 283, 285, 287	4060865..... 69	4360613363, 482
3380527.....257, 259	376034831, 33	4060906.....263, 265, 267, 269	4420037277, 279
3421453.....261, 281, 285, 287	3760387 ... 147, 151, 155, 159, 164, 170, 176, 182, 188, 194, 200, 206	4071094.....147, 151, 155, 159, 164, 170, 176, 182, 188, 194, 200, 206	4420051479
3421854..... 283	376046319, 21	4160078.....145, 149, 153, 157, 161, 167, 173, 179, 185, 191, 197, 203, 297, 317	4420062 255, 257, 259, 261, 283
3422219.....255, 257, 259, 261	3820019233, 243	4160202.....31, 33	442007071, 73
3422938.....213, 215	3820032131, 133	4160203.....247, 249	4460007 47, 49, 51
3422997.....147, 151, 155, 159, 164, 170, 176, 182, 188, 194, 200, 206	3841143 147, 151, 155, 159, 164, 170, 176, 182, 188, 194, 200, 206	4191306.....247, 249	4460115419, 421
3422998.....164, 170, 176, 182, 188, 194, 200, 206	3841675261	4191406..... 69	4460138345
3423014.....147, 151, 155, 159, 164, 170, 176, 182, 188, 194, 200, 206	3841716 227, 229, 235, 237	4191407.....247, 249	4460183419, 421
3423036.....147, 151, 155, 159, 164, 170, 176, 182, 188, 194, 200, 206	3860107 ... 164, 170, 176, 182, 188, 194, 200, 206	4191409.....247, 249	4460226 267, 269, 405, 407, 409, 435
3423037..... 15, 17	3860111 231, 233, 241, 243	4191706.....77, 79, 81, 83, 85, 87, 89, 91, 145, 149, 153, 157, 161, 167, 173, 179, 185, 191, 197, 203, 261, 281, 349, 351, 353, 357	4460227 55, 57, 267, 269, 405, 407, 409
3423038.....147, 151, 155, 159, 164, 170, 176, 182, 188, 194, 200, 206	3860118217, 219	4191707.....35, 37, 39, 41, 43, 47, 49, 51, 53, 59, 61, 63, 65, 107, 109, 111, 113, 115, 117, 119, 121, 123, 125, 127, 129, 213, 215, 355	4460259 405, 407, 409, 417, 419, 421
3423039.....164, 176, 188, 200	3900190 221, 223, 225	4191708.....19, 21	4460260 405, 407, 409, 417, 419, 421, 457
3423045..... 31, 33	3900333247, 249	4191709.....19, 21	4460265437
3423049.....209, 211	3900336 93, 95, 97, 99, 101, 103, 105	4220227261	4460267417, 437
3423067.....147, 151, 155, 159, 164, 170, 176, 182, 188, 194, 200, 206	3900338 93, 95, 97, 99, 101, 103, 105, 253	4220252 131, 133	4460268 93, 97, 101, 105, 419, 421
3423189..... 31, 33	3900339 93, 95, 97, 99, 101, 103, 105	4220253..... 131, 133	4460297457
3423259.....145, 149, 153, 157, 161, 167, 173, 179, 185, 191, 197, 203	3900345233, 243	4240003.....255, 257, 259, 261, 363	4460315345
3423267..... 31, 33	3900355 255, 257, 259	4240017.....47, 49, 51	4460320 267, 269, 405, 407, 409
	3900356 95, 99, 103	4240033.43, 45, 213, 215	4460321 93, 97, 101, 105, 435
	3900357 31	4240147..... 19, 21	4460328285, 287
	390038143, 45		4460346445
	3931010257, 259		4460374 405, 407, 409
	3931408257, 259		4460375405, 409
	3931412 93, 97, 101, 105, 255, 257, 259		4460418 263, 265, 267, 269, 417, 419, 421
	3931508 255, 257, 259		4460419 263, 265, 267, 269, 417
			4460424 55, 57, 267, 269
			4460464 33, 55, 57, 77, 79, 81, 83, 85, 87, 89, 91, 145, 149, 153, 157, 161, 167, 173, 179,

SECTION 10 - SPECIAL OPTIONS

185, 191, 197, 203, 263, 265, 267, 269, 405, 407, 409, 419, 421, 431, 433, 437, 439, 441, 457	4460944 417, 423, 425, 427, 429, 431, 433, 439, 441	4811702.....45, 69	70003028 .. 300, 304, 308, 312, 320, 324, 328, 332
4460465257, 259, 263, 265, 267, 269, 405, 407, 409, 411, 413, 423, 425, 427, 429, 431, 433, 439, 441	4460956 365	4811900.....219, 221, 225	70003645296, 316
4460466263, 265, 267, 269, 405, 407, 409, 419, 421, 423, 425, 427, 429, 431, 433, 437, 439, 441	4460957 365	4812000.....15, 17, 31, 33, 147, 151, 155, 159, 164, 170, 176, 182, 188, 194, 200, 206, 209, 211, 213, 215, 221, 225, 227, 229, 231, 233, 235, 237, 239, 241, 243, 245, 267, 269	70003646296, 316
4460493 439, 441	4460961 417	4812002.....223, 225, 227, 229, 235, 237	70003650251
4460496437	4460968 ... 47, 49, 51, 359	4831600..... 43, 45	70003663 .. 304, 312, 324, 332
4460497437	4460986 405, 407, 409	4831700..... 45	70003706 482
4460508415	4461002 363	4846723.....241, 243, 245	70003707 .. 300, 304, 308, 312, 320, 324, 328, 332, 482
4460509413	4461012257, 259	4846752.....164, 170, 176, 182, 188, 194, 200, 206	70004239 337
446053533	4461016 437	4846757..... 15, 17	70004241 337
4460536 77, 79, 81, 83, 85, 87, 89, 91, 145, 149, 153, 157, 161, 167, 173, 179, 185, 191, 197, 203	4461057 437	4846816..... 31, 33	70004585 .. 300, 304, 308, 312, 320, 324, 328, 332
4460539 405, 407, 409	4461077417, 419	4846863..... 31, 33	70004624 .. 304, 312, 324, 332
4460618361	4461196393, 447	4922870.....247, 249, 437	70004625 .. 304, 312, 324, 332
446064855, 405, 407, 409	4461198447	4922944..... 141, 363	70004626 .. 304, 312, 324, 332
4460662347, 353, 355, 357, 445	4461199395, 449	4923048.....285, 287	70004628 .. 304, 312, 324, 332
4460754 439, 441	4461201449	4923050..... 289	70004629 .. 304, 312, 324, 332
4460761 405, 407, 409	4461202401, 455	4923051..... 291	70004630 .. 304, 312, 324, 332
4460778443	4461205 399, 401, 453, 455	4923114..... 257	70004631 .. 304, 312, 324, 332
4460836 431, 433	4461244 455	4923115..... 257, 259	70004632 .. 304, 312, 324, 332
4460868435	4461245 453	4923121.....257, 259, 457	70004633 .. 304, 312, 324, 332
4460871 405, 407, 409	4461246 451	4923228.....213, 215, 431	70004634 .. 300, 305, 308, 313, 320, 325, 328, 333
4460873 405, 407, 409	4461249397, 451	4923390..... 59	70004722 .. 300, 308, 320, 328
4460877435	4461257349, 351	4923391..... 59	70004723300, 308
4460878457	4461258349, 351	4923392..... 59	70004725300, 308
4460884257, 259, 263, 265, 267, 269, 405, 407, 409, 419, 421	4461260 415	4923393..... 59	70004727320, 328
4460885457	4461261413	4923602.....19, 21, 415	70004728 .. 300, 308, 320, 328
4460887457	4530021285, 287	5241000.....221, 223, 225	70004729320, 328
4460891265, 267, 269, 405, 407, 409, 411, 413	4530026257, 259	5272012..... 31, 33	70004778335
4460894405, 407, 409, 411	4568738247, 249	7000082 251	70004779335
4460897 405, 407, 409	4711400 255, 257, 259, 261	7000084 251	70004914 .. 300, 304, 308, 312, 320, 324, 328, 332
4460899 55, 57, 405, 407, 409	474008631, 33	7000091 24	70004915 .. 300, 304, 308, 312, 320, 324, 328, 332
4460905 405, 407, 409	4740438 147, 151, 155, 159, 164, 170, 176, 182, 188, 194, 200, 206	7000098 24	70004916 .. 300, 304, 308, 312, 320, 324, 328, 332
4460918 419, 421	4740446217, 219	70001250..... 251	70004917 .. 300, 304, 308, 312, 320, 324, 328, 332
4460930423, 425, 427, 429, 431, 433	474046827	70001251 251	70004925 .. 300, 304, 308, 312, 320, 324, 328, 332
4460931405, 407, 409, 431, 433, 439, 441	4740480 255, 257, 259	70001252 251	70004926 .. 300, 304, 308, 312, 320, 324, 328, 332
4460932263, 265, 267, 269	474052419, 21	70001253 251	70004927 .. 300, 304, 308, 312, 320, 324, 328, 332
4460933 431, 433	4740545 369, 371, 373, 375, 377, 379, 381, 383, 385, 387, 389, 391	70001265..... 25	70004928 .. 300, 304, 308, 312, 320, 324, 328, 332, 482
4460942 405, 407, 409	474056259	70001345..... 25	70004935 .. 300, 304, 308, 312, 320, 324, 328, 332
4460943405, 407, 409, 419, 421, 423, 425, 427, 429, 431, 433, 439, 441	474056419, 21	70001442..... 413	
	4750800135, 137	70001443..... 413	
	4751000 93, 95, 97, 99, 101, 103, 105	70001444..... 413	
	4751400 19, 21, 369, 371, 373, 375, 377, 379, 381, 383, 385, 387, 389, 391	70001709.....297, 317	
	4751500283	70001739..... 24	
	4811400 43, 47, 49, 51, 253, 349, 351, 359	70001878...145, 149, 153, 157, 161, 167, 173, 179, 185, 191, 197, 203, 297, 317	
	4811600 .. 47, 49, 51, 131, 133, 139	70001949..... 24	
	4811700 19, 21, 31, 33, 35, 37, 39, 41, 43, 47, 49, 51, 53, 59, 61, 63, 65, 67, 107, 109, 111, 113, 115, 117, 119, 121, 123, 125, 127, 129, 277, 279, 281, 289, 291, 349, 351, 353, 355, 357		

SECTION 10 - SPECIAL OPTIONS

70004936...300, 304, 308, 312, 320, 324, 328, 332	70005236 .. 300, 304, 308, 313, 320, 324, 328, 333	7020218.....145, 149, 153, 157, 161, 167, 173, 179, 185, 191, 197, 203, 297, 317	7023587296
70004941...300, 304, 308, 312, 320, 324, 328, 332	70005237 .. 300, 305, 308, 313, 320, 325, 328, 333	7023530.....297, 317	7023588296
70004942...300, 304, 308, 312, 320, 324, 328, 332	70005238 .. 300, 305, 308, 313, 320, 325, 328, 333	7023536.....297, 317	7023589296, 316
70004943...300, 304, 308, 312	70005239 .. 300, 304, 308, 312	7023537.....297, 317	7023591296, 316
70004945...320, 324, 328, 332	70005240 .. 320, 324, 328, 332	7023538.....297, 317	7023593296, 316
70004970...300, 304, 308, 312, 320, 324, 328, 332	70005419337	7023539.....296, 316	702474725
70004971...300, 305, 308, 313, 320, 325, 328, 333	70005420337	7023542.....297, 317	702474825
70004972...300, 305, 308, 313, 320, 325, 328, 333	70005421337	7023543.....297, 317	702474925
70004973...300, 304, 308, 312, 320, 324, 328, 332	70006090 .. 300, 308, 320, 328	7023544.....297, 317	702475025
70004974...300, 304, 308, 312, 320, 324, 328, 332	70006342335	7023545.....297, 317	702475625
70004975...300, 304, 308, 312, 320, 324, 328, 332	7000642624	7023546.....297, 317	702475724
70005233...300, 304, 308, 312, 320, 324, 328, 332	70023915 .. 300, 308, 320, 328	7023547.....297, 317	702475825
70005235...300, 304, 308, 312, 320, 324, 328, 332	70025323 ... 300, 308, 328	7023548.....297, 317	702477125
	7005323320	7023549.....296	702477225
	701631969	7023568.....316	702478524
	701637269	7023570.....296, 316	702478624
	7020175 93, 95, 97, 99, 101, 103, 105, 247, 249	7023571.....296, 316	7027303285, 287
	7020176 93, 95, 97, 99, 101, 103, 105, 247, 249	7023573.....296, 316	7027365251
		7023574.....297, 317	7027367251
		7023576.....297, 317	7027765251
		7023577.....296, 316	7027766251
		7023580.....316	7027863137
		7023585.....316	7028909 271, 273, 275
		7023586.....297, 317	77363228 ... 271, 273, 275
			80325261
			8229242 405, 407, 409



3121682



An Oshkosh Corporation Company

Corporate Office
JLG Industries, Inc.
1 JLG Drive
McConnellsburg, PA 17233-9533 USA
☎ (717) 485-5161 (Corporate)
☎ (877) 554-5438 (Customer Support)
📠 (717) 485-6417

Visit our website for JLG Worldwide Locations.
www.jlg.com